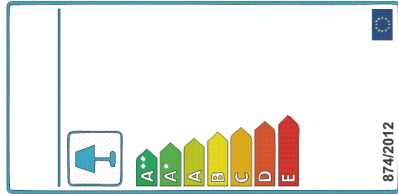
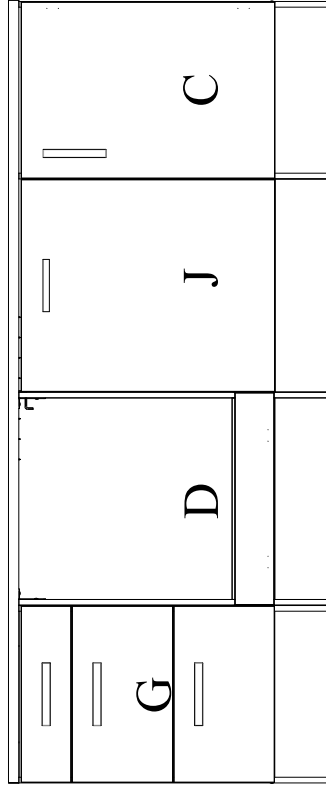


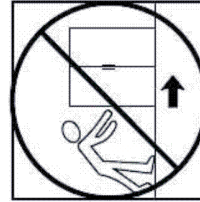
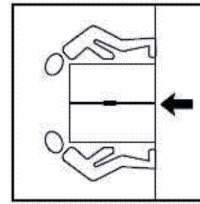
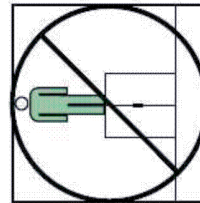
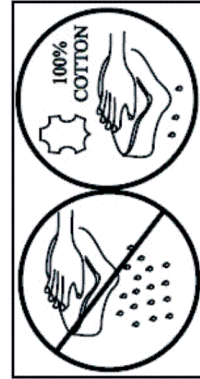
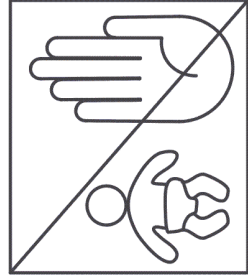
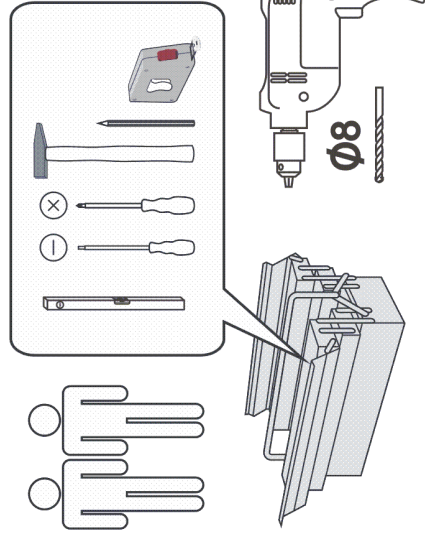
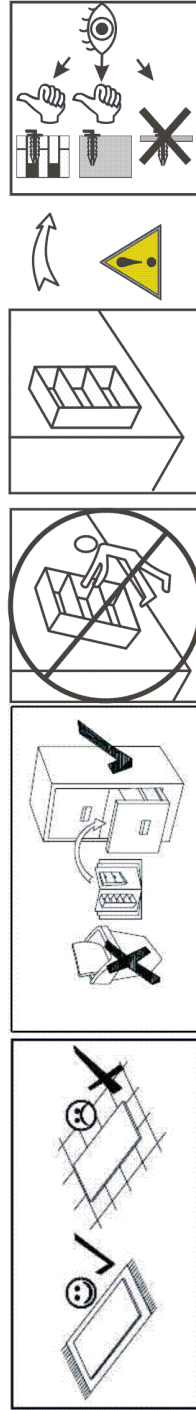
<http://www.bega-gruppe.de>

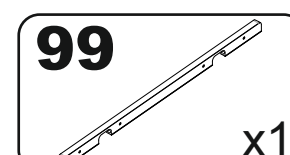
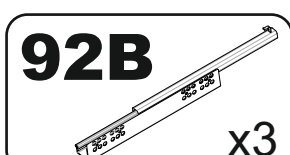
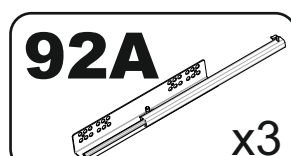
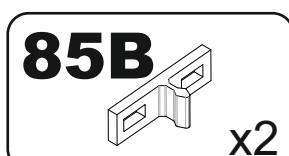
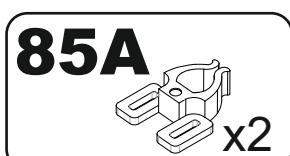
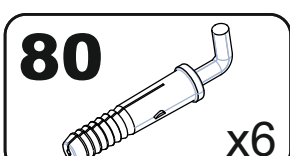
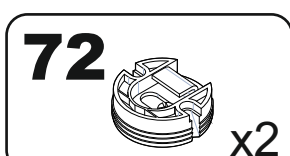
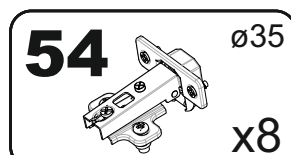
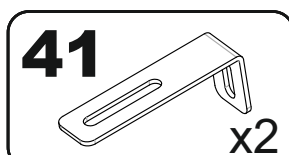
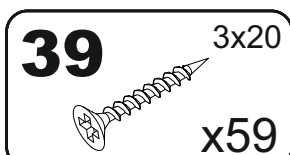
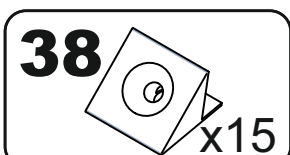
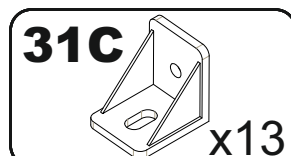
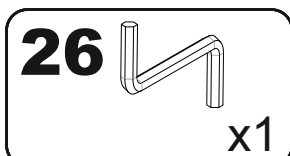
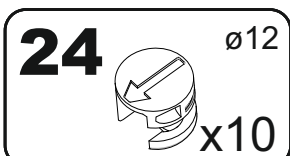
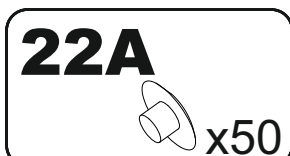
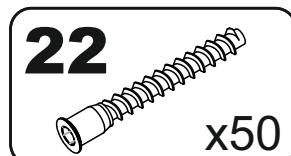
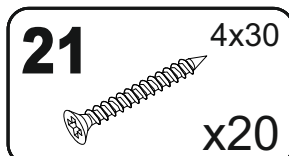
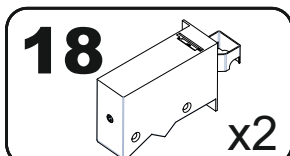
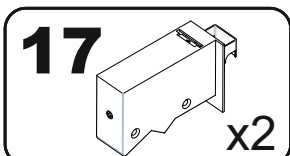
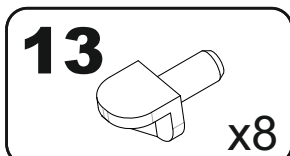
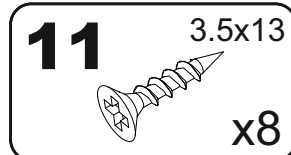
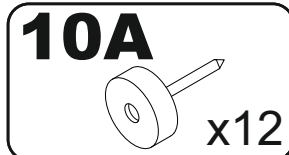
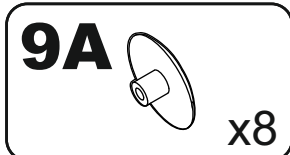
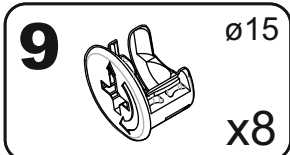
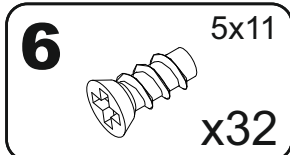
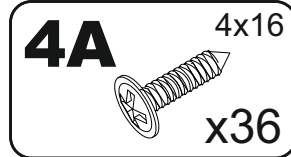
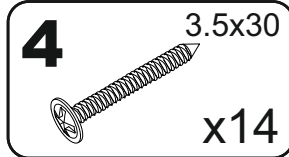
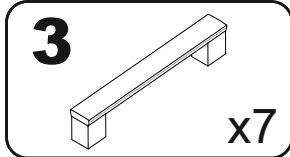
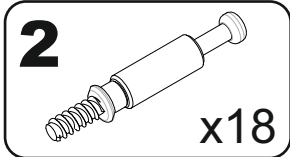
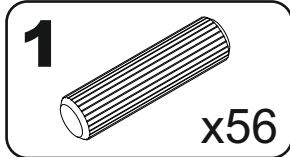
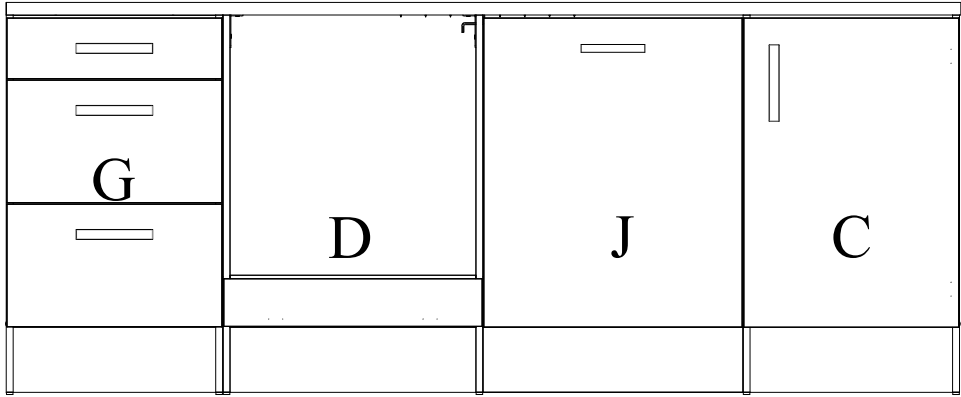
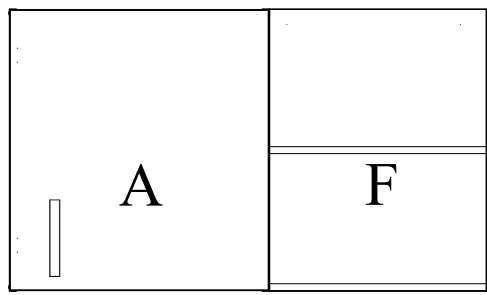
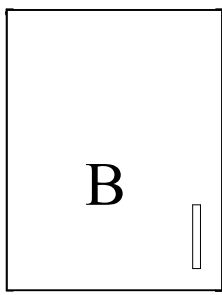
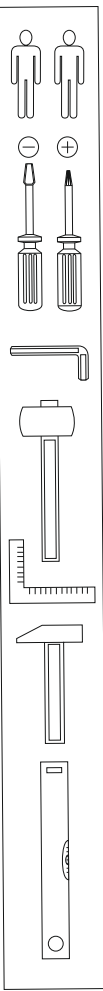


- | | |
|----|----------------|
| BG | Bulgarisch |
| CS | Tschechisch |
| DA | Dänisch |
| DE | Deutsch |
| ET | Eströisch |
| EL | Griechisch |
| EN | Englisch |
| ES | Spanisch |
| FR | Französisch |
| FI | Finnisch |
| HR | Kroatisch |
| HU | Ungarisch |
| IT | Italienisch |
| LV | Lettisch |
| LT | Litauisch |
| NL | Niederländisch |
| PL | Polnisch |
| PT | Portugiesisch |
| RO | Rumänisch |
| SK | Slowakisch |
| SL | Slowenisch |
| SV | Schwedisch |

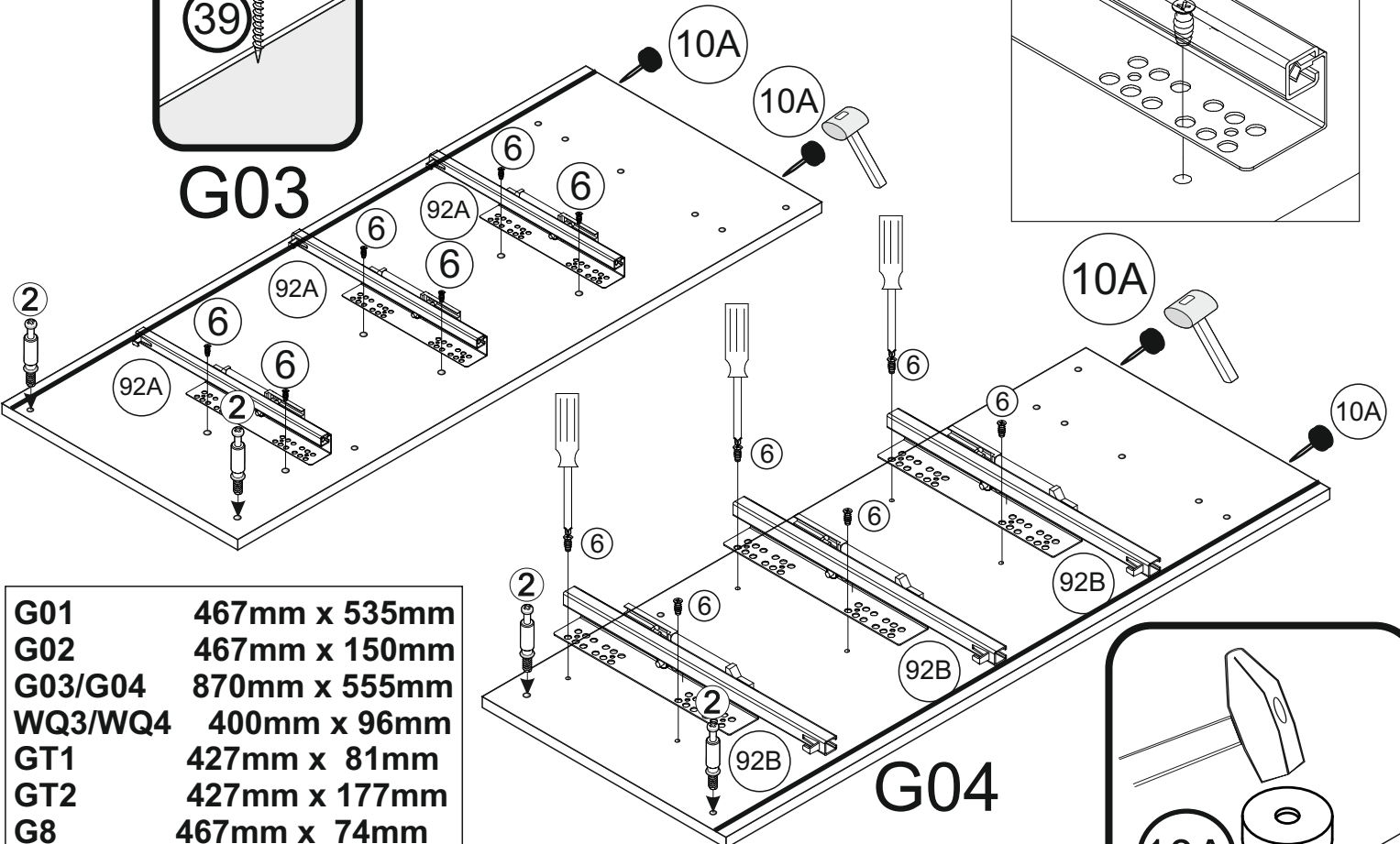
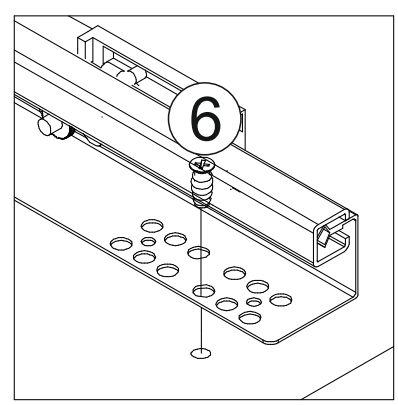
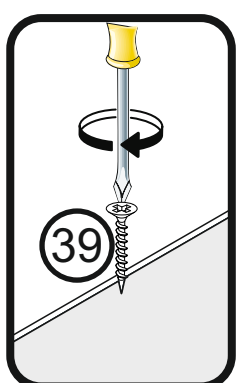
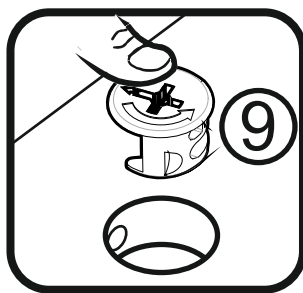
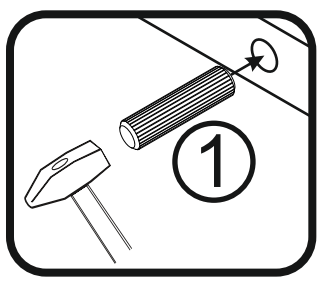
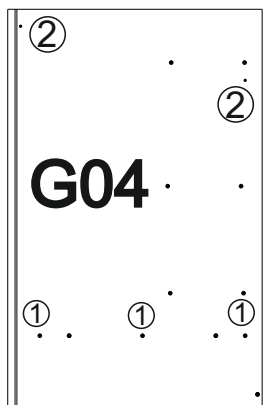
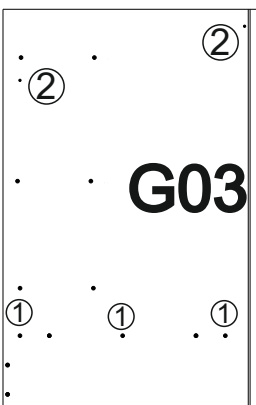
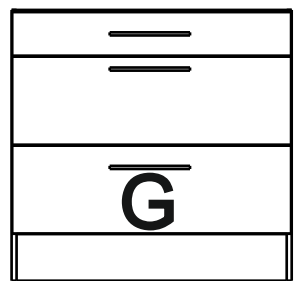


180 min

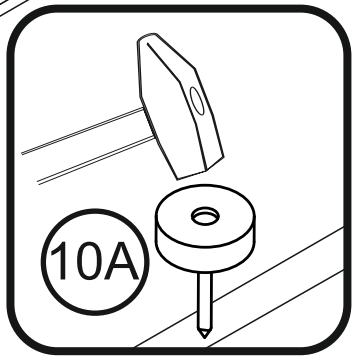




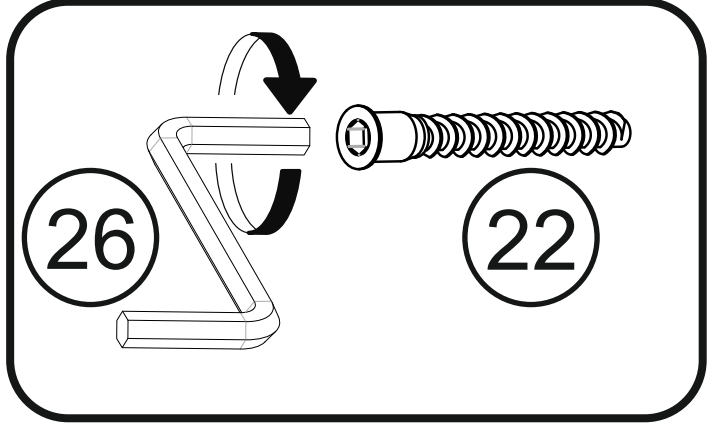
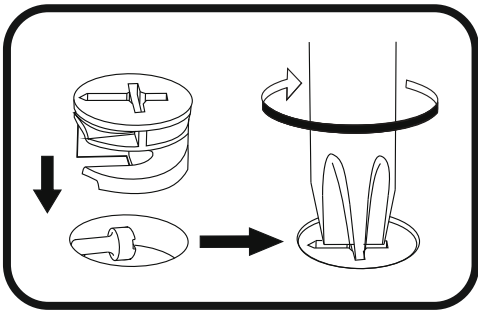
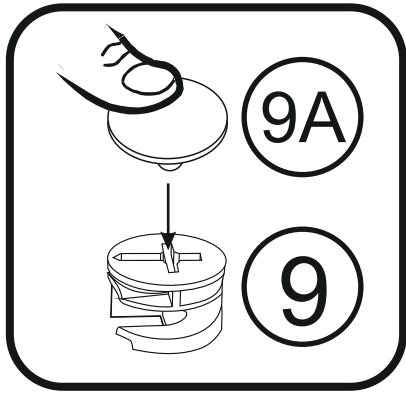
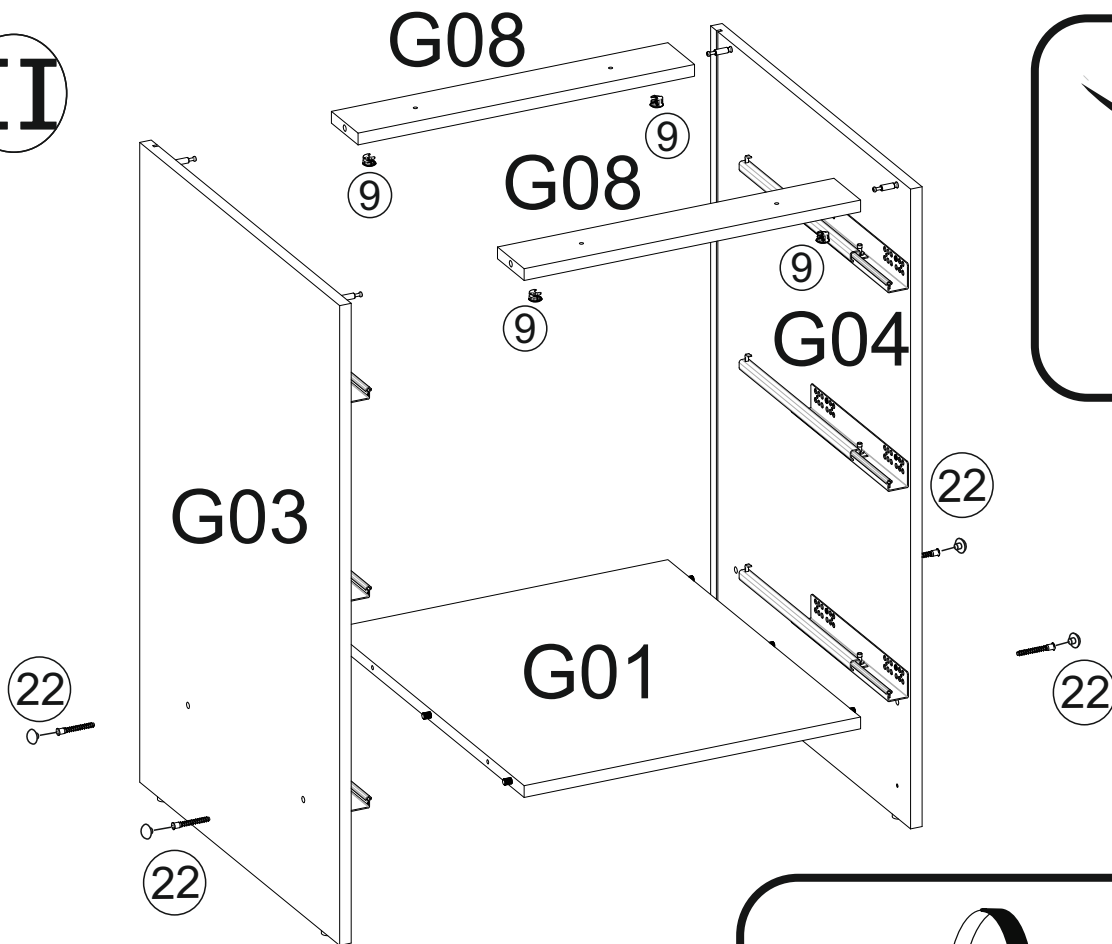
I



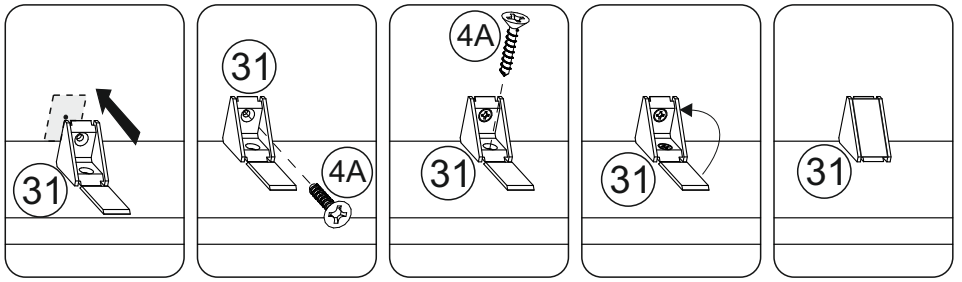
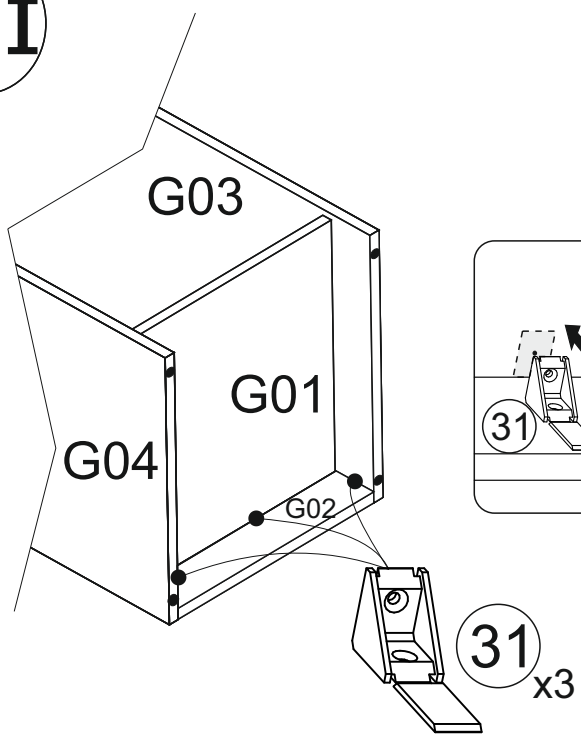
G01	467mm x 535mm
G02	467mm x 150mm
G03/G04	870mm x 555mm
WQ3/WQ4	400mm x 96mm
GT1	427mm x 81mm
GT2	427mm x 177mm
G8	467mm x 74mm



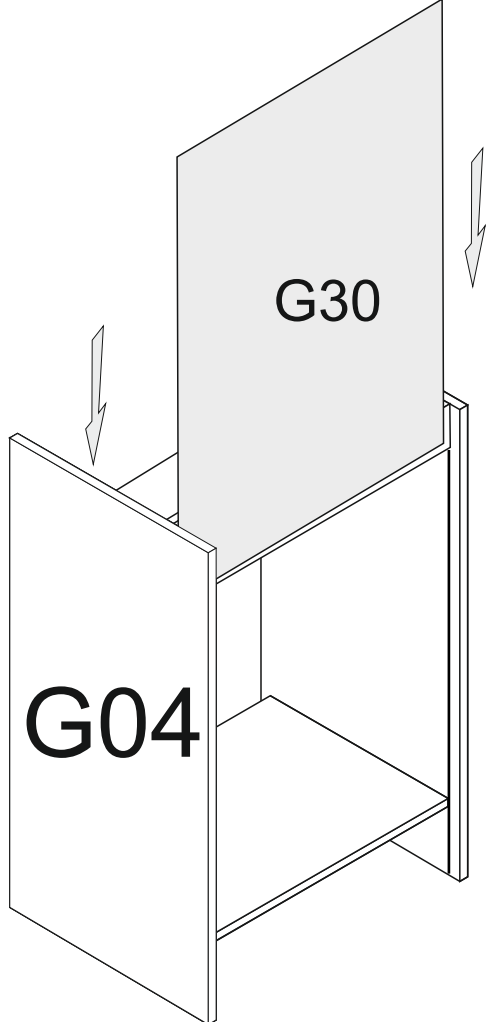
II



III

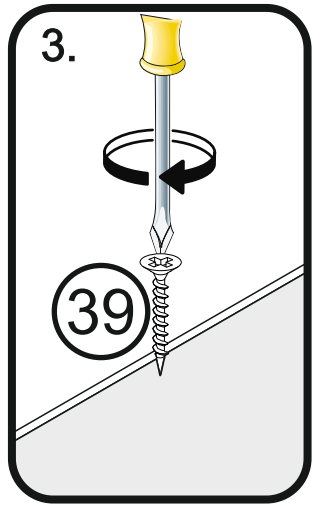
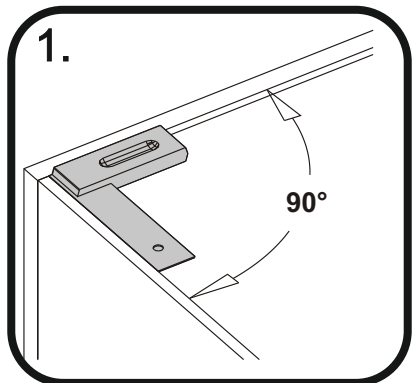
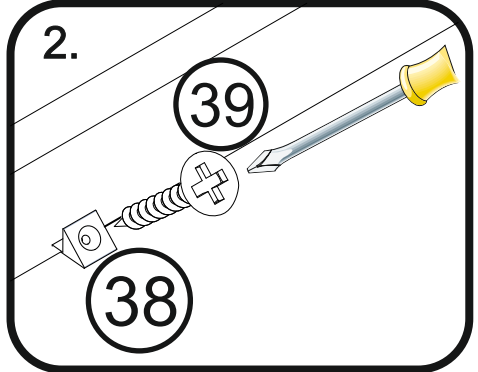
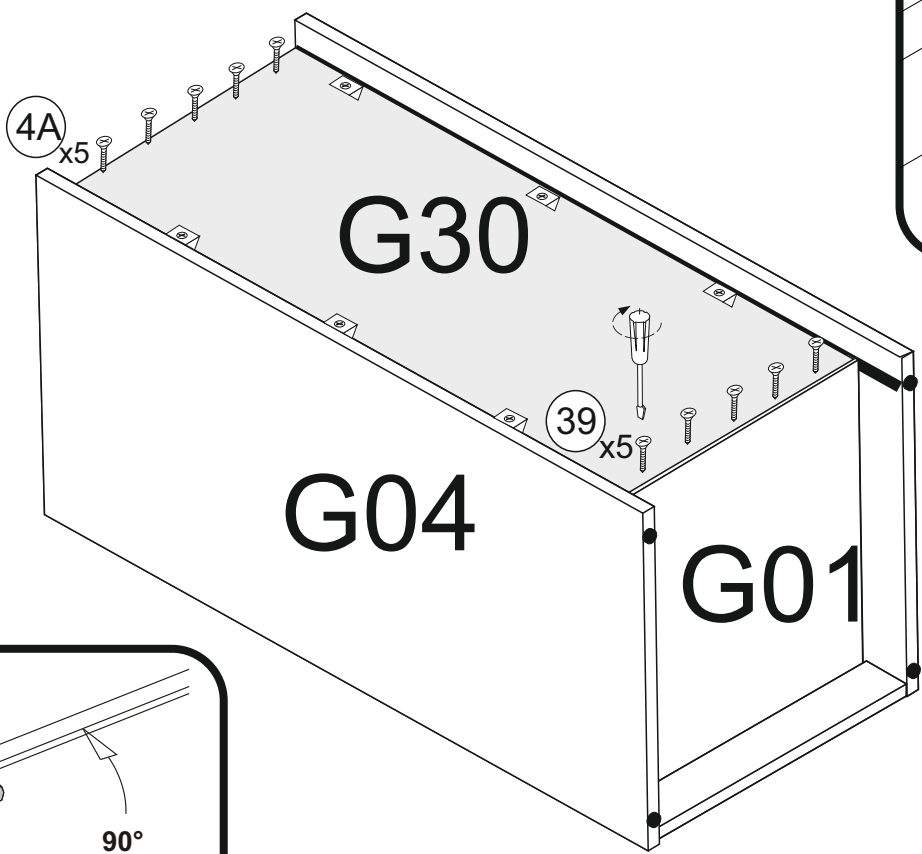


IV



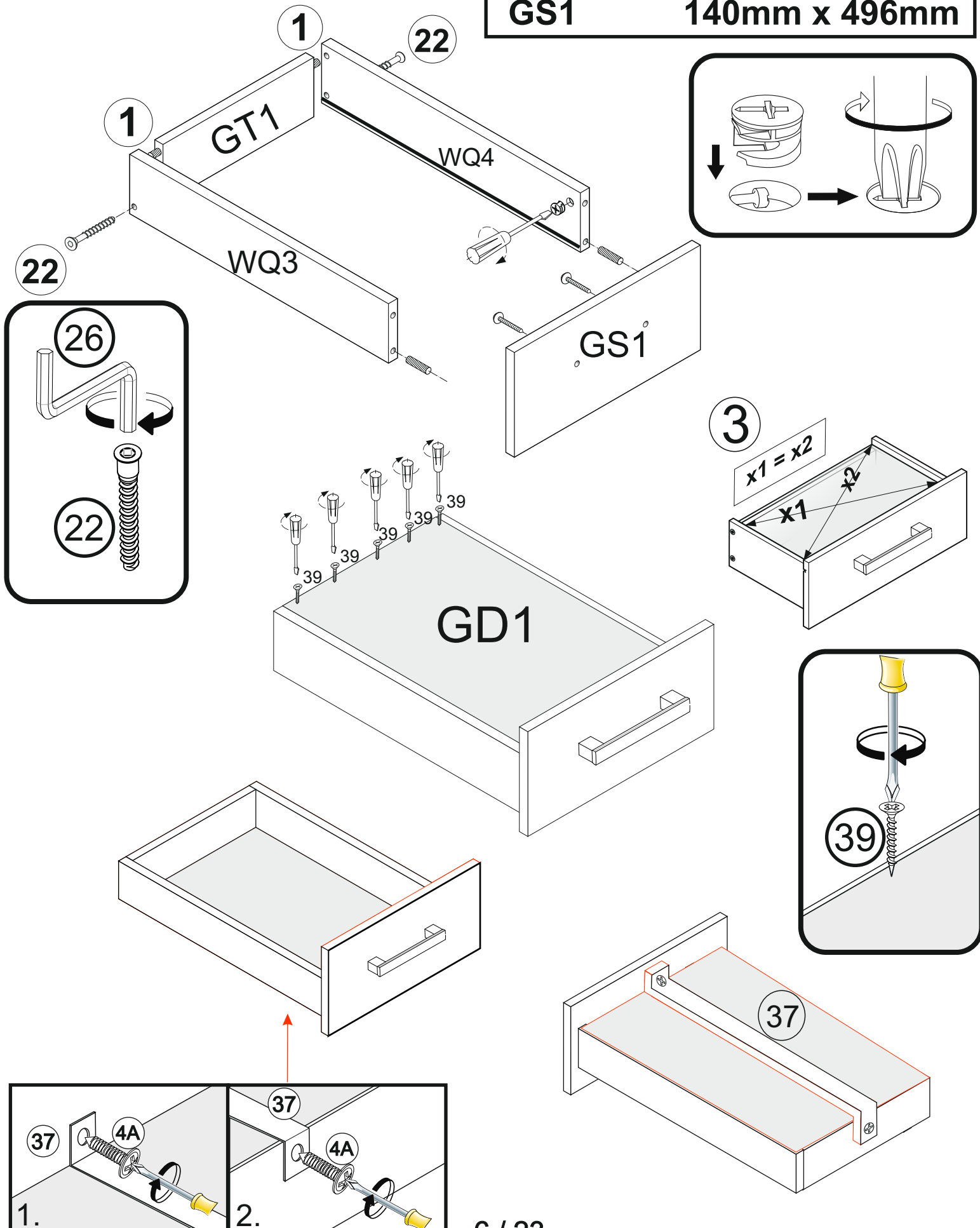
G30 717mm x 477mm

V



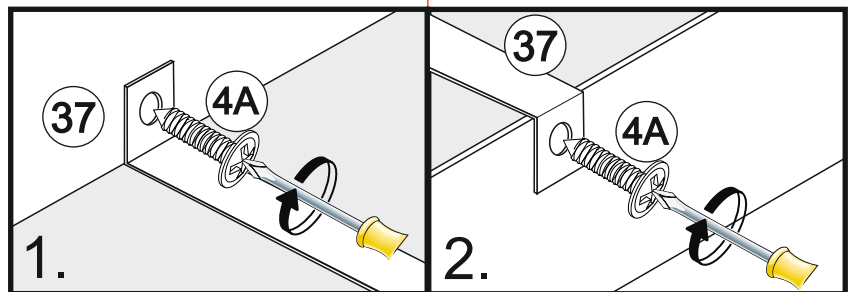
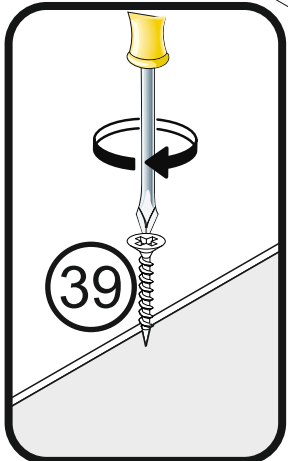
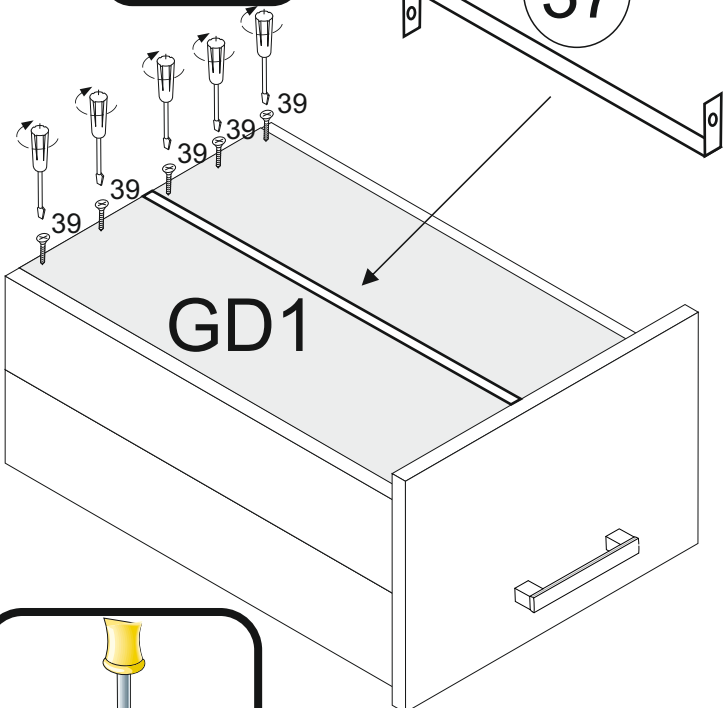
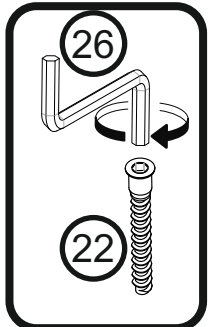
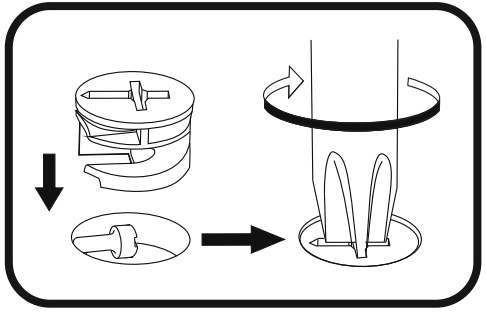
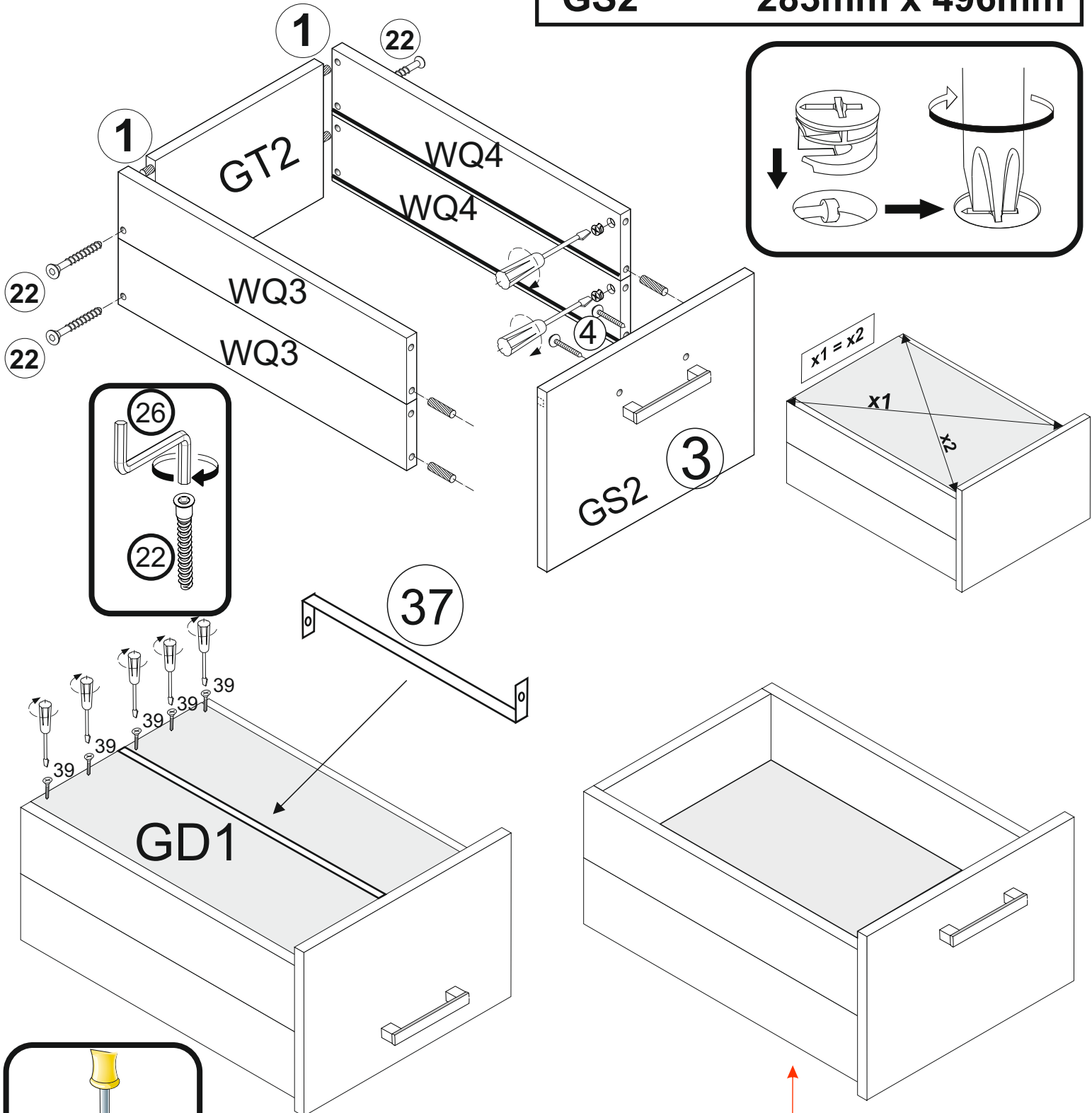
VI

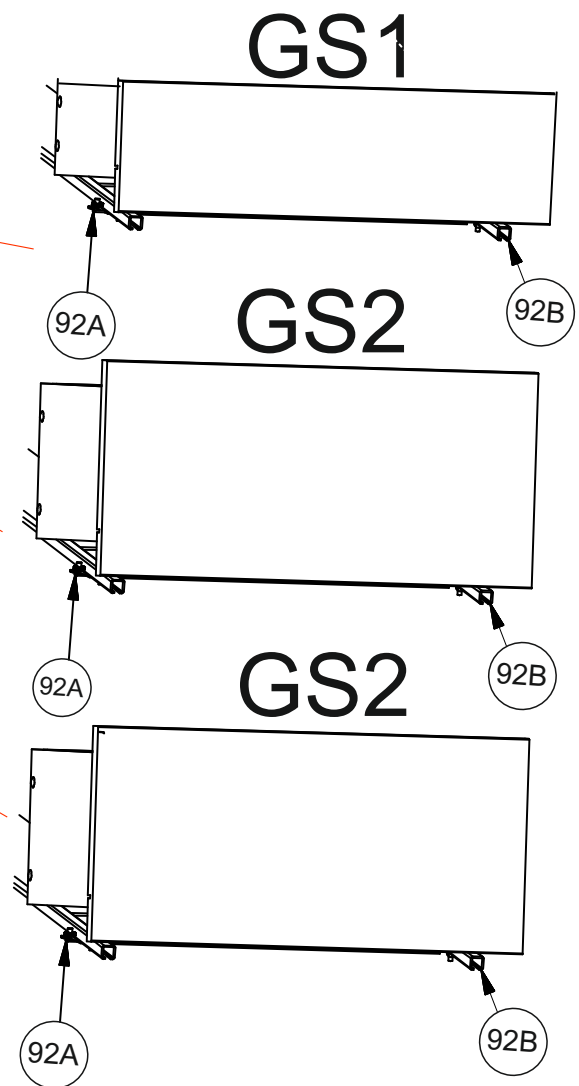
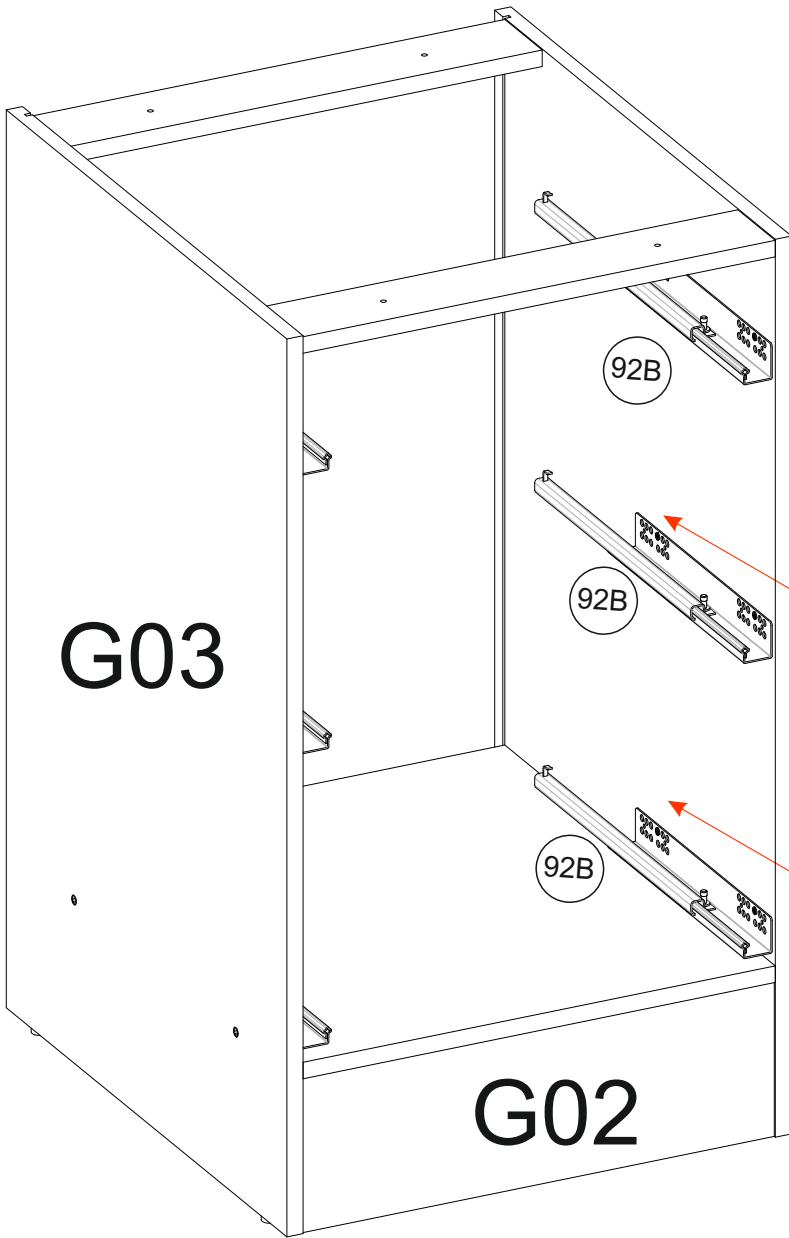
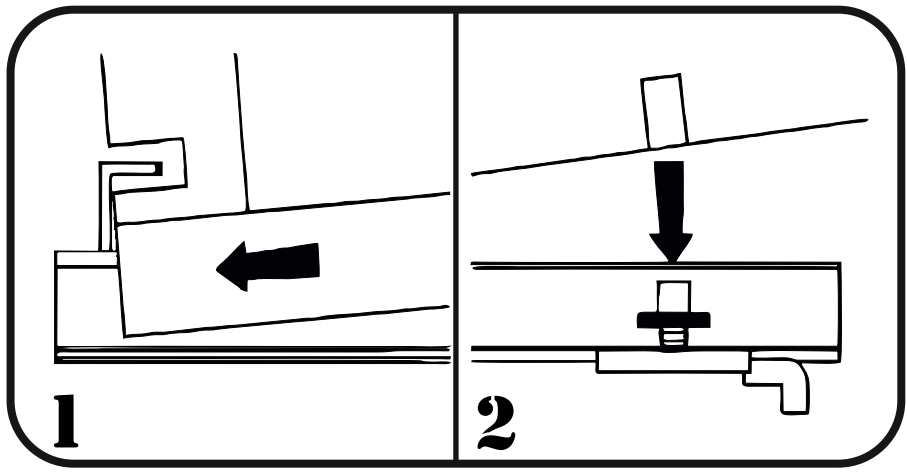
WQ3/WQ4	400mm x 96mm
GT1	427mm x 81mm
GD1	437mm x 403mm
GS1	140mm x 496mm



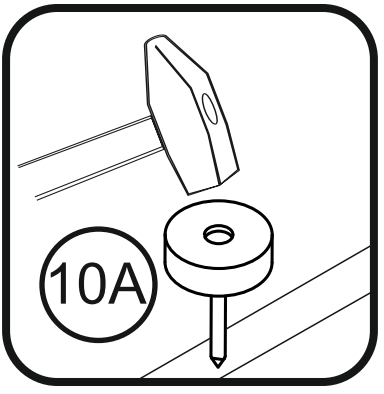
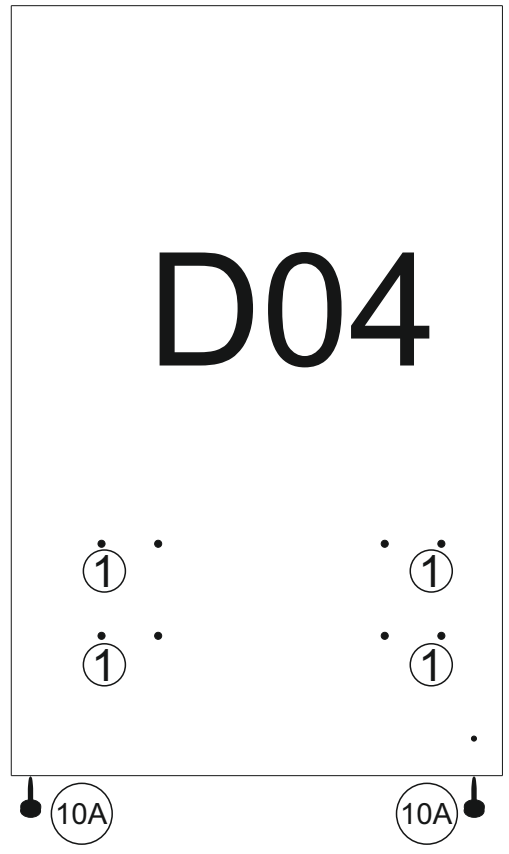
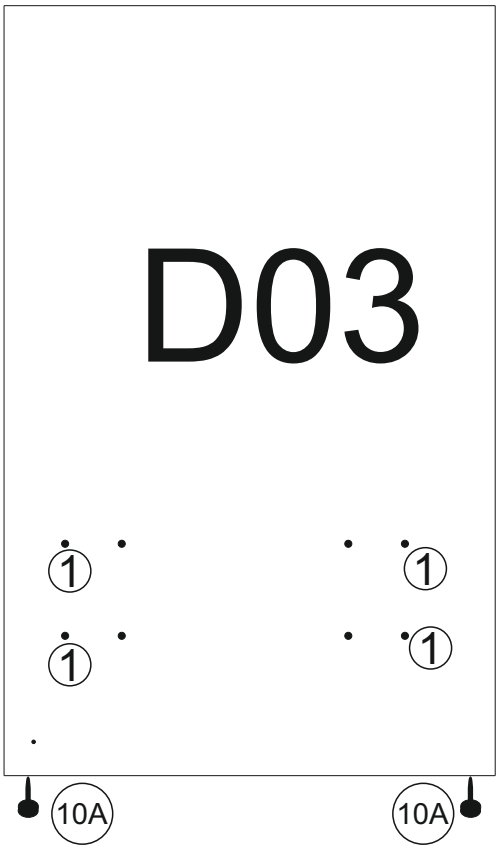
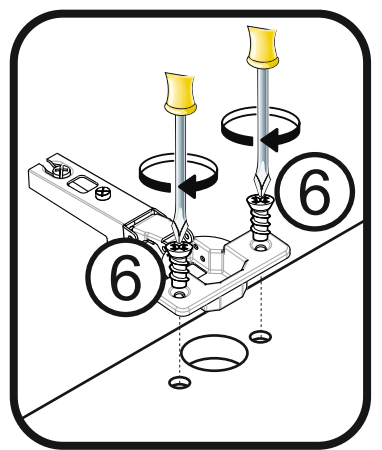
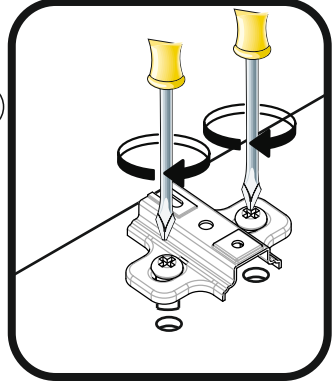
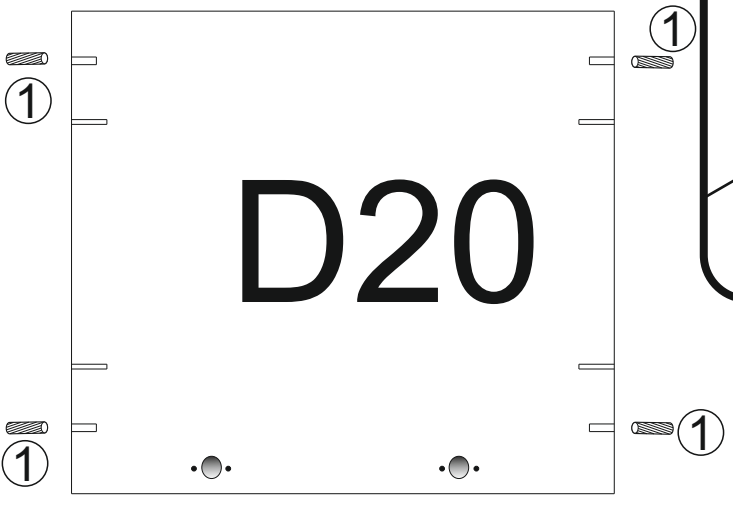
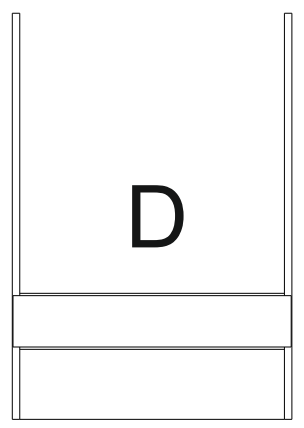
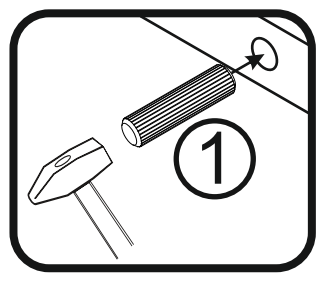
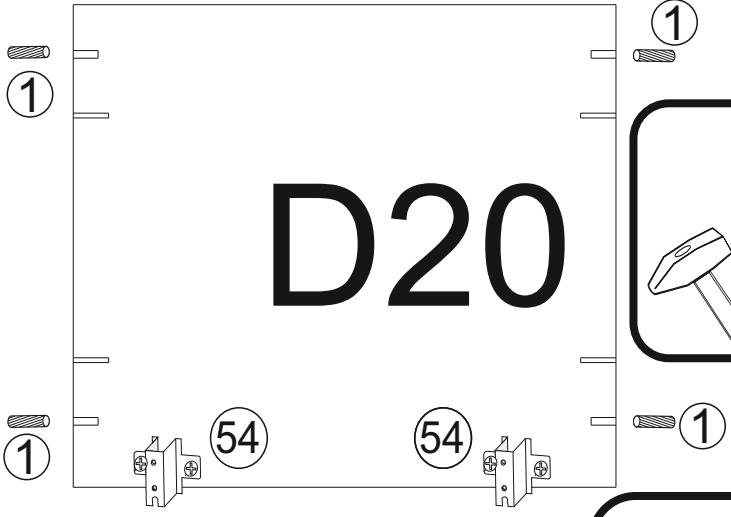
VII

WQ3/WQ4	400mm x 96mm
GT2	427mm x 177mm
GD1	437mm x 403mm
GS2	283mm x 496mm

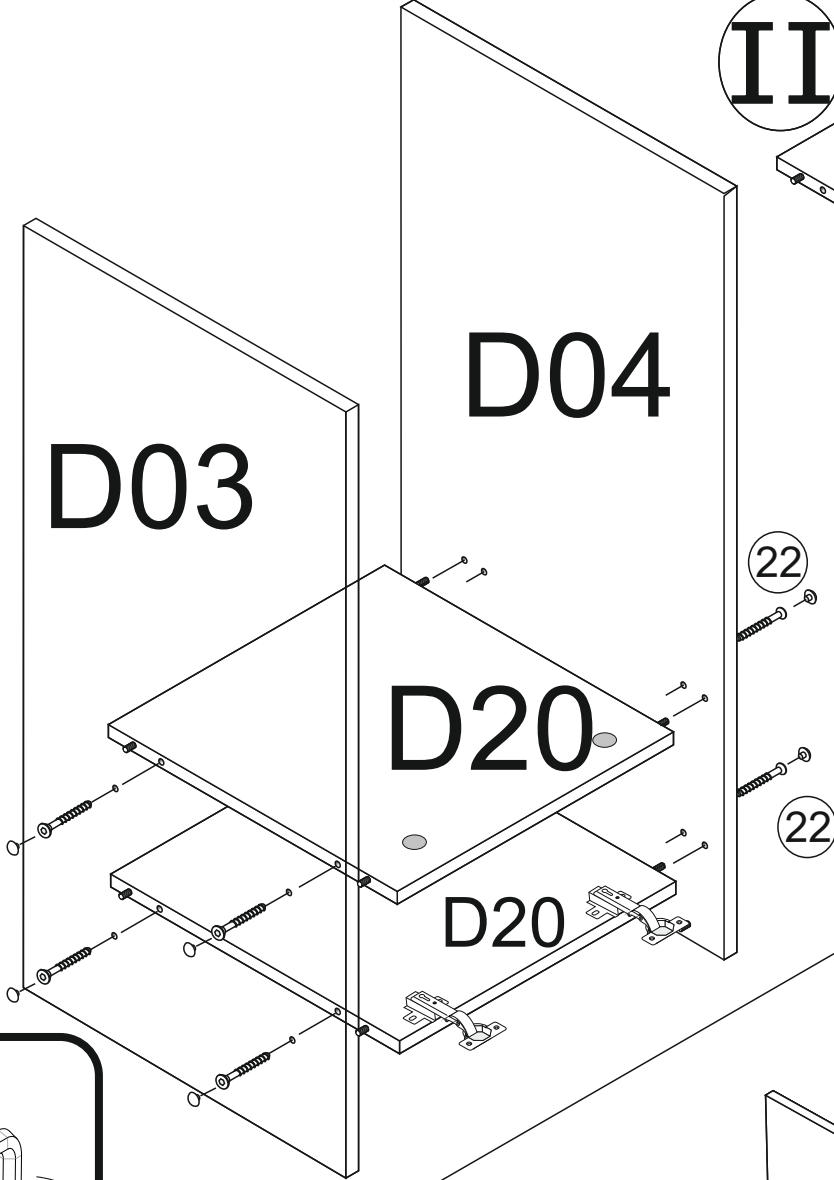




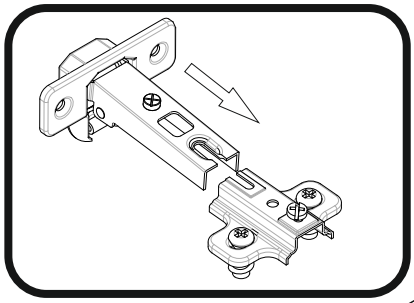
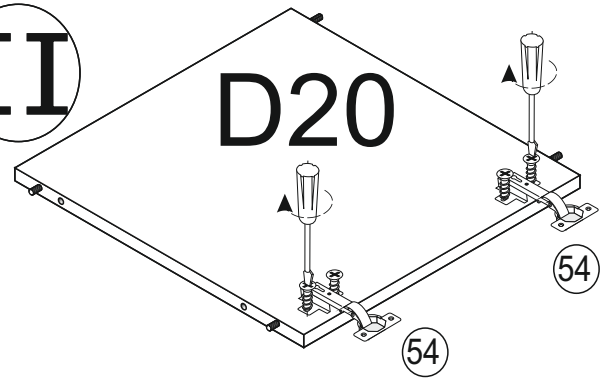
I



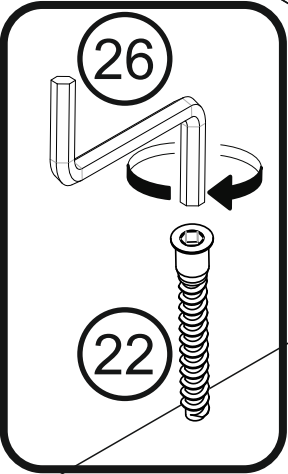
III



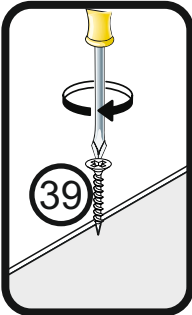
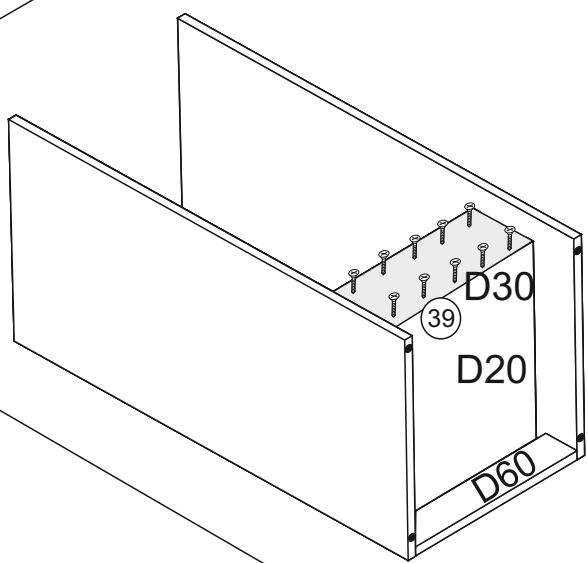
II



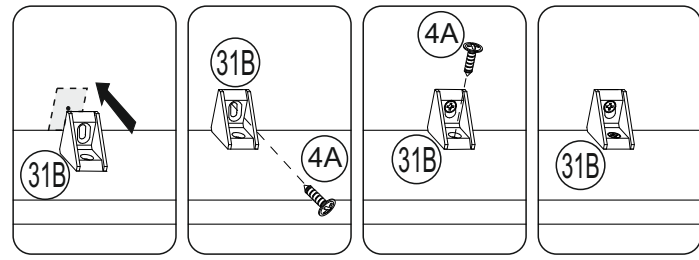
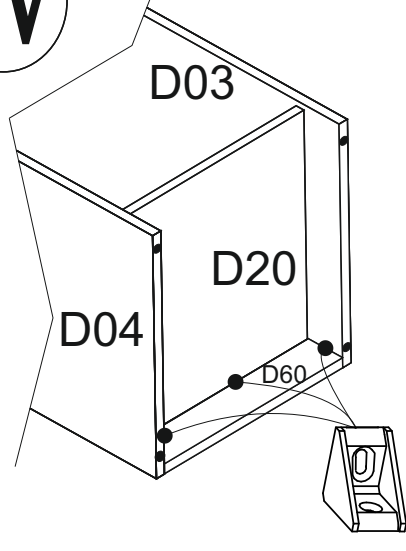
D03/D0	4870mm x 555mm
D20	567mm x 510mm
D30	566mm x 120mm
D60	567mm x 150mm



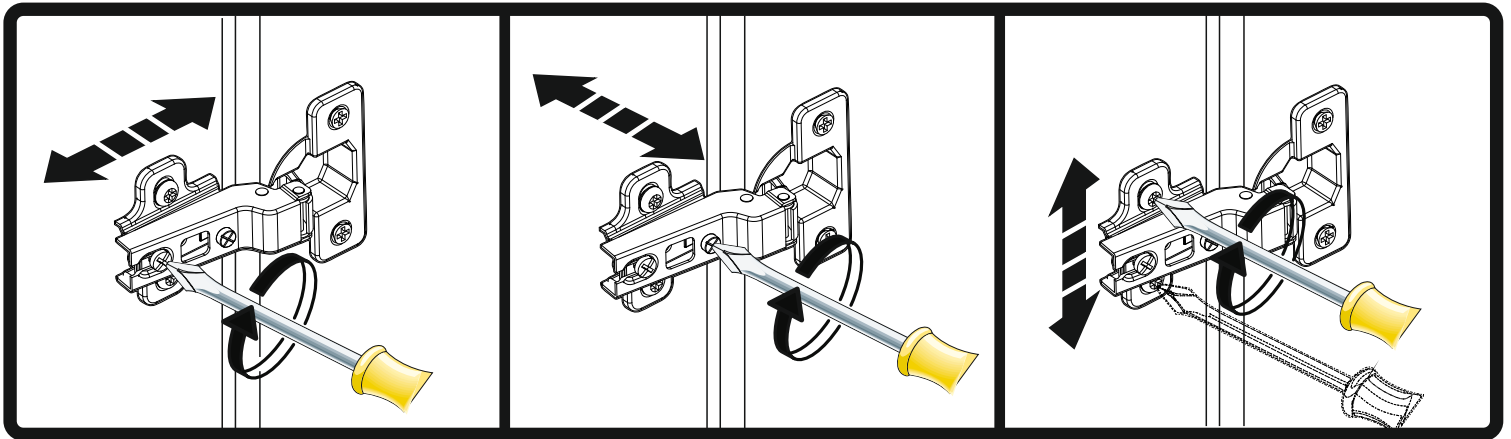
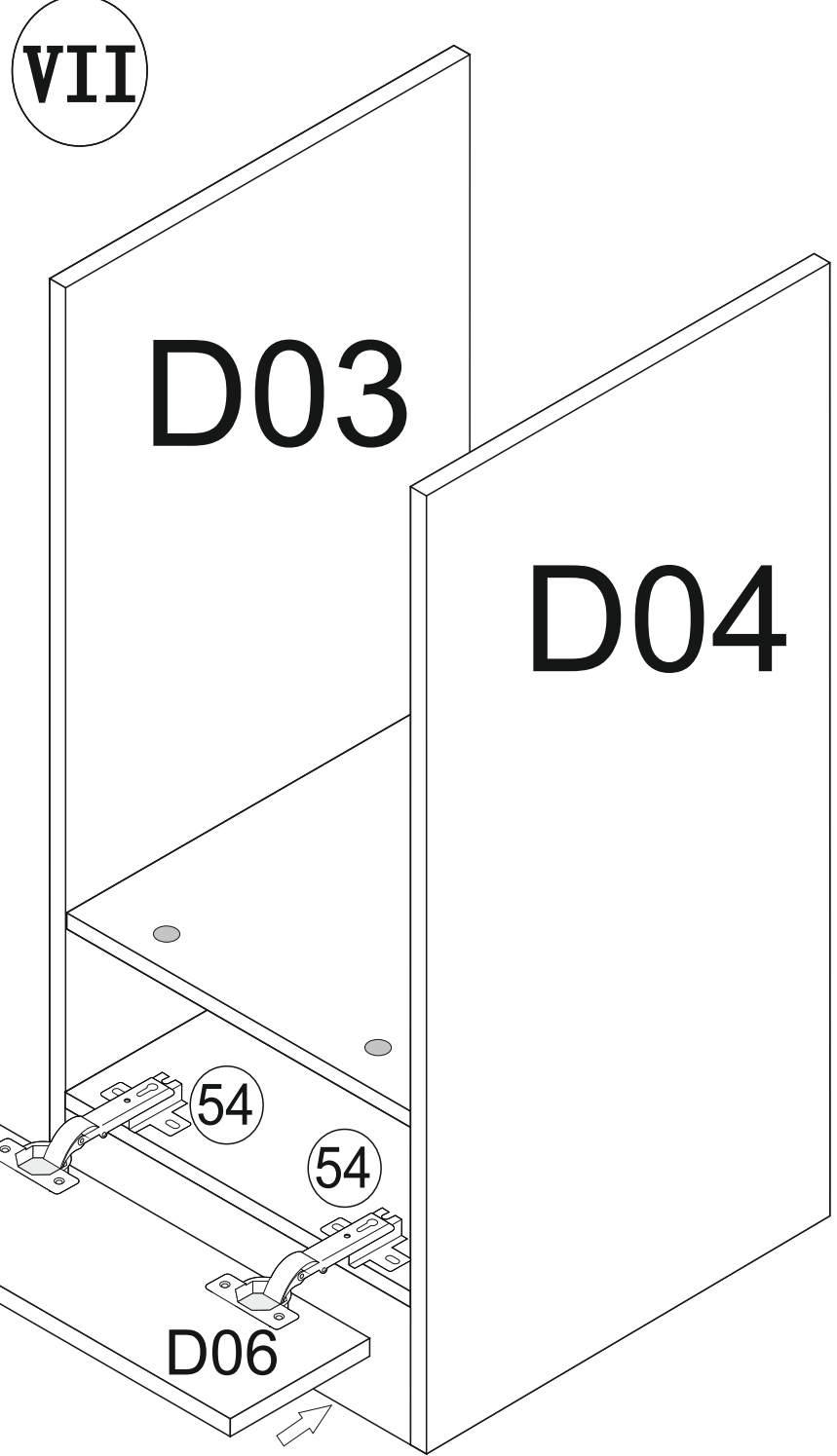
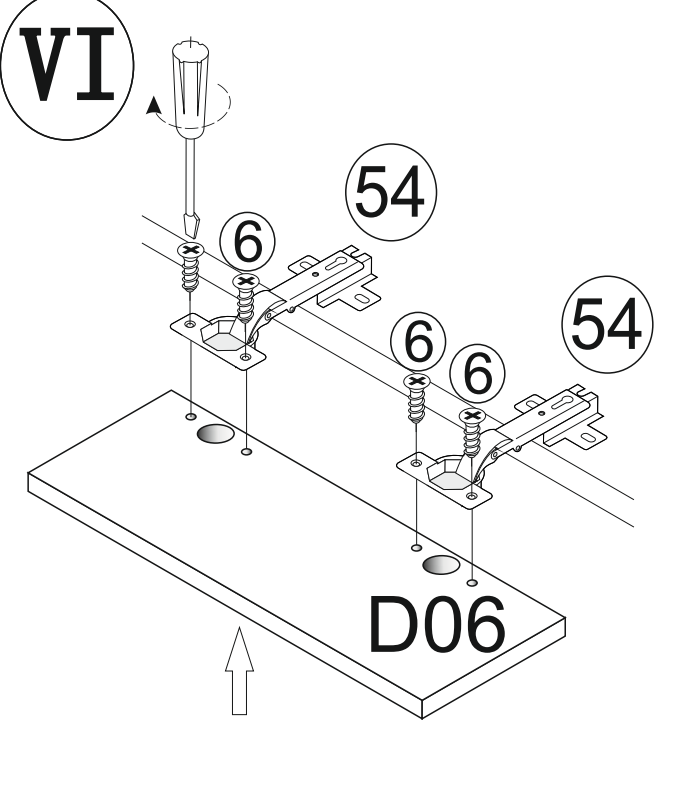
V



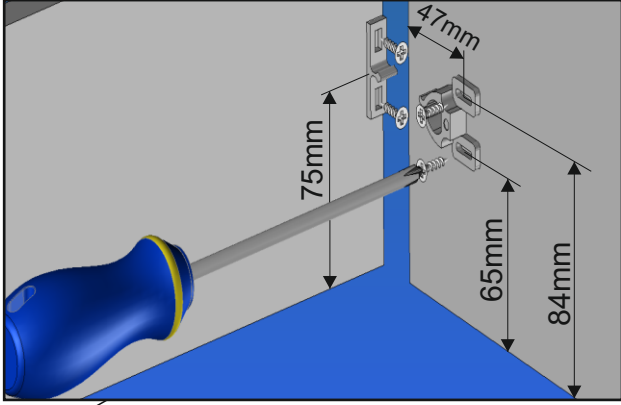
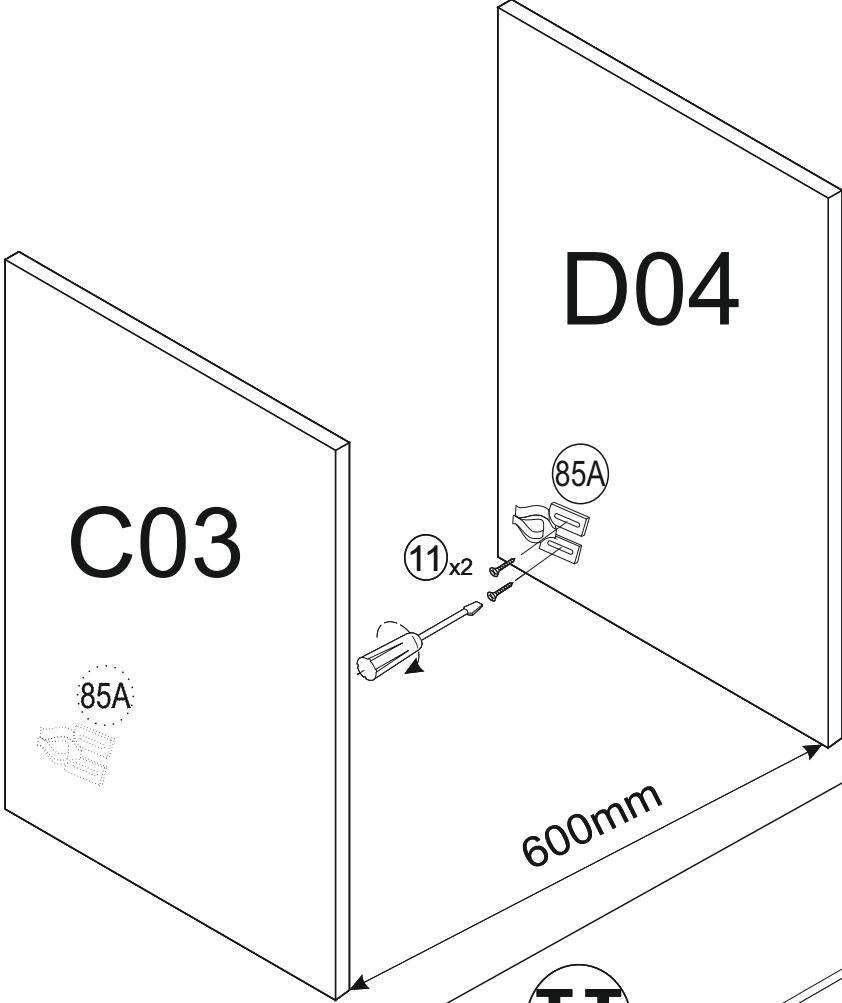
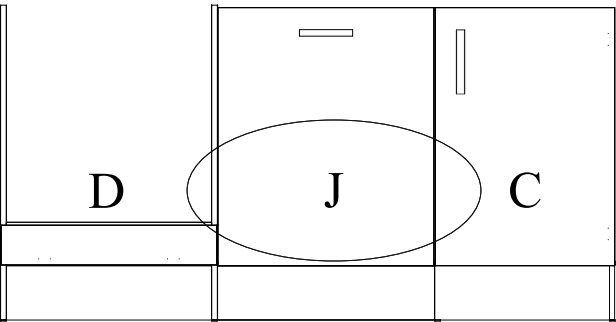
IV



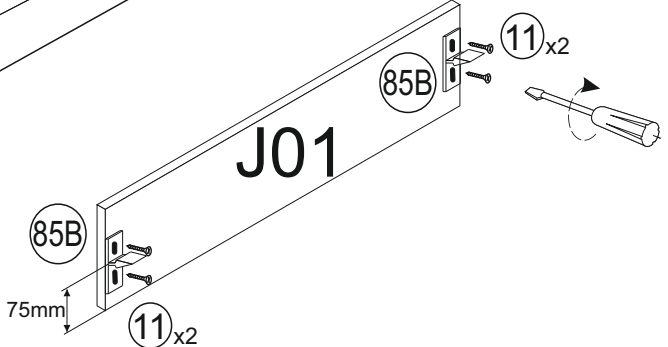
31B x3



I

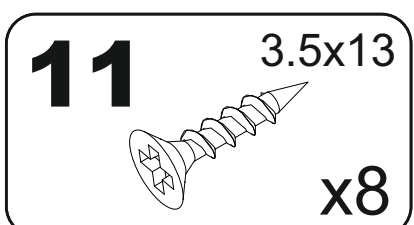
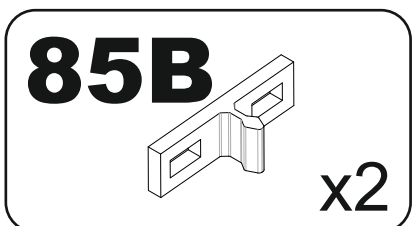
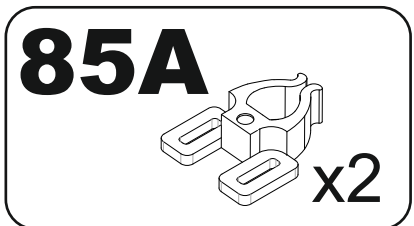
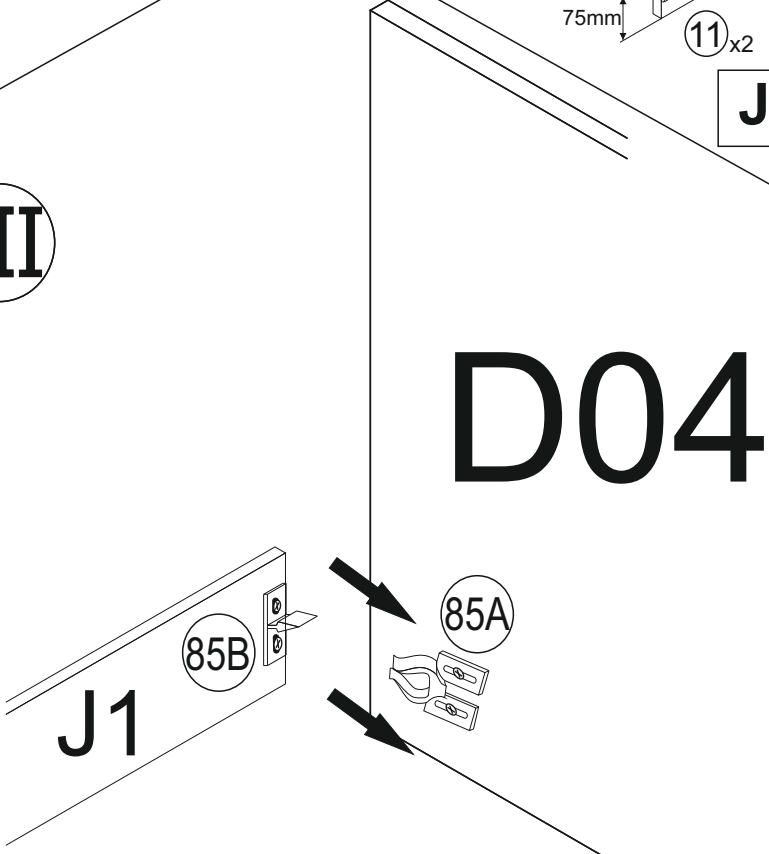


II

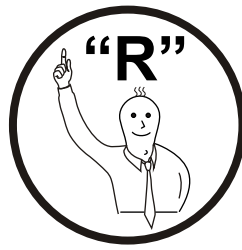
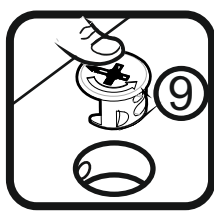


J01 600mm x 150mm

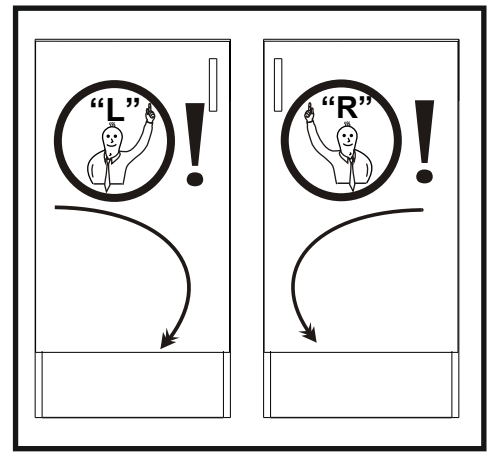
III



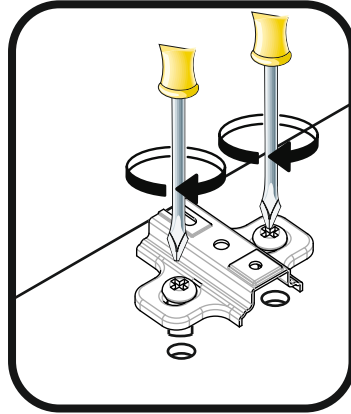
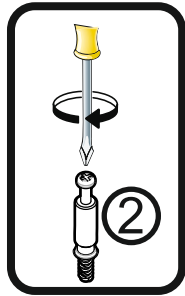
I



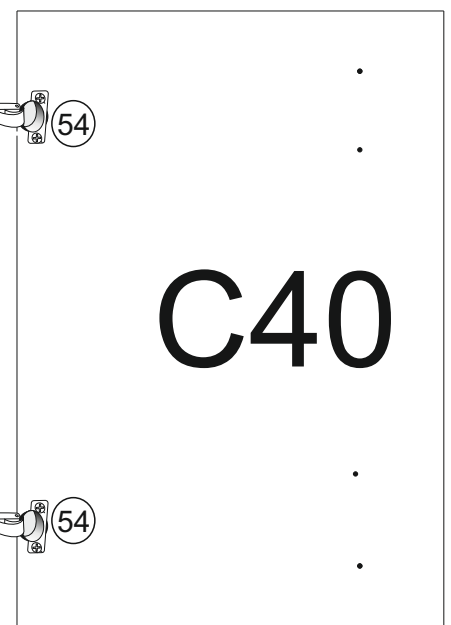
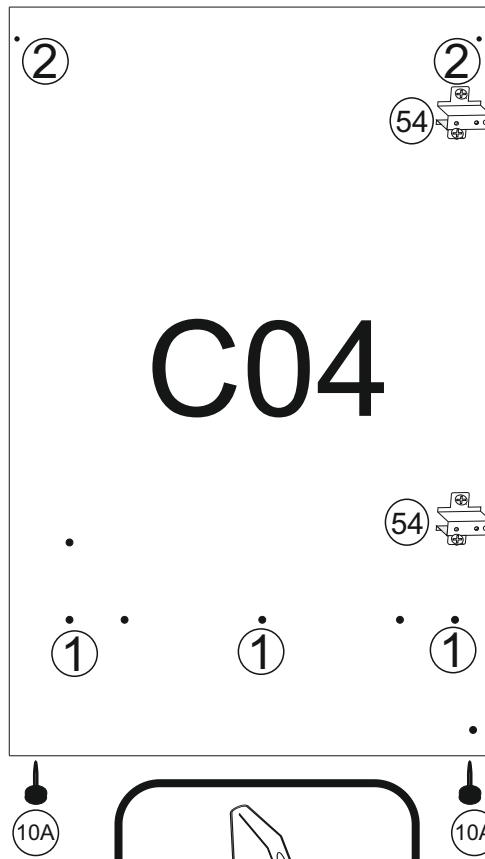
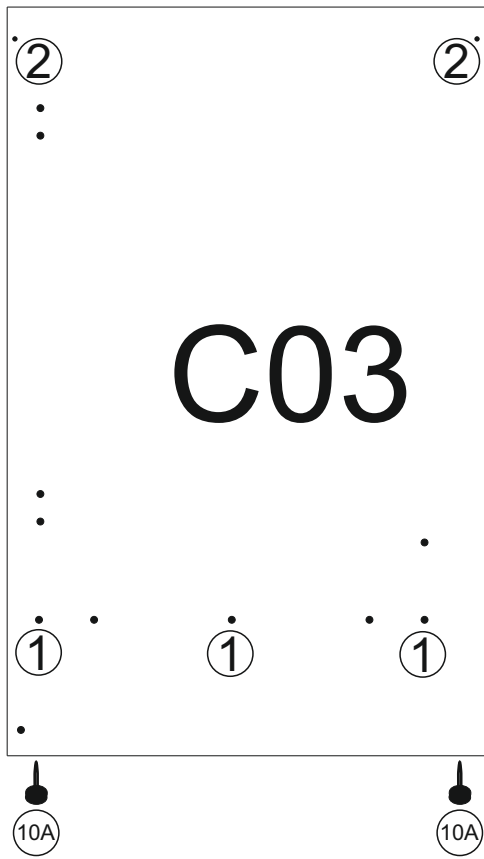
C61_{x2}



C60_{x2}



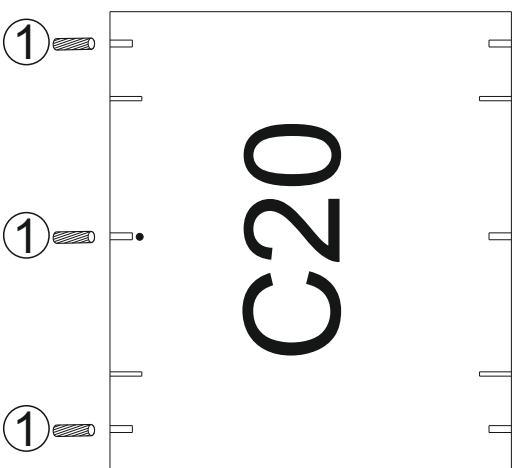
C



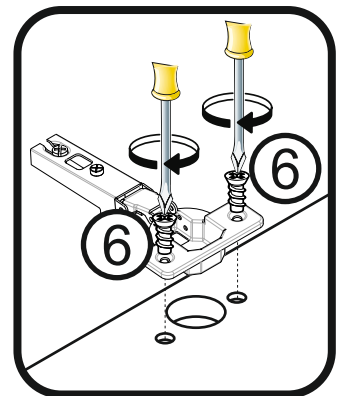
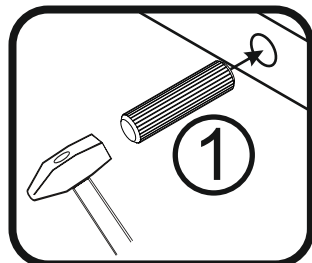
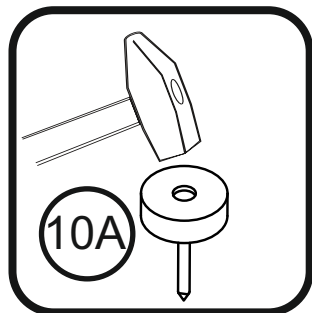
C03

C04

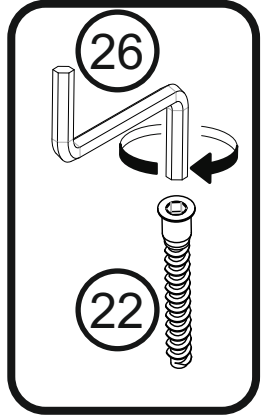
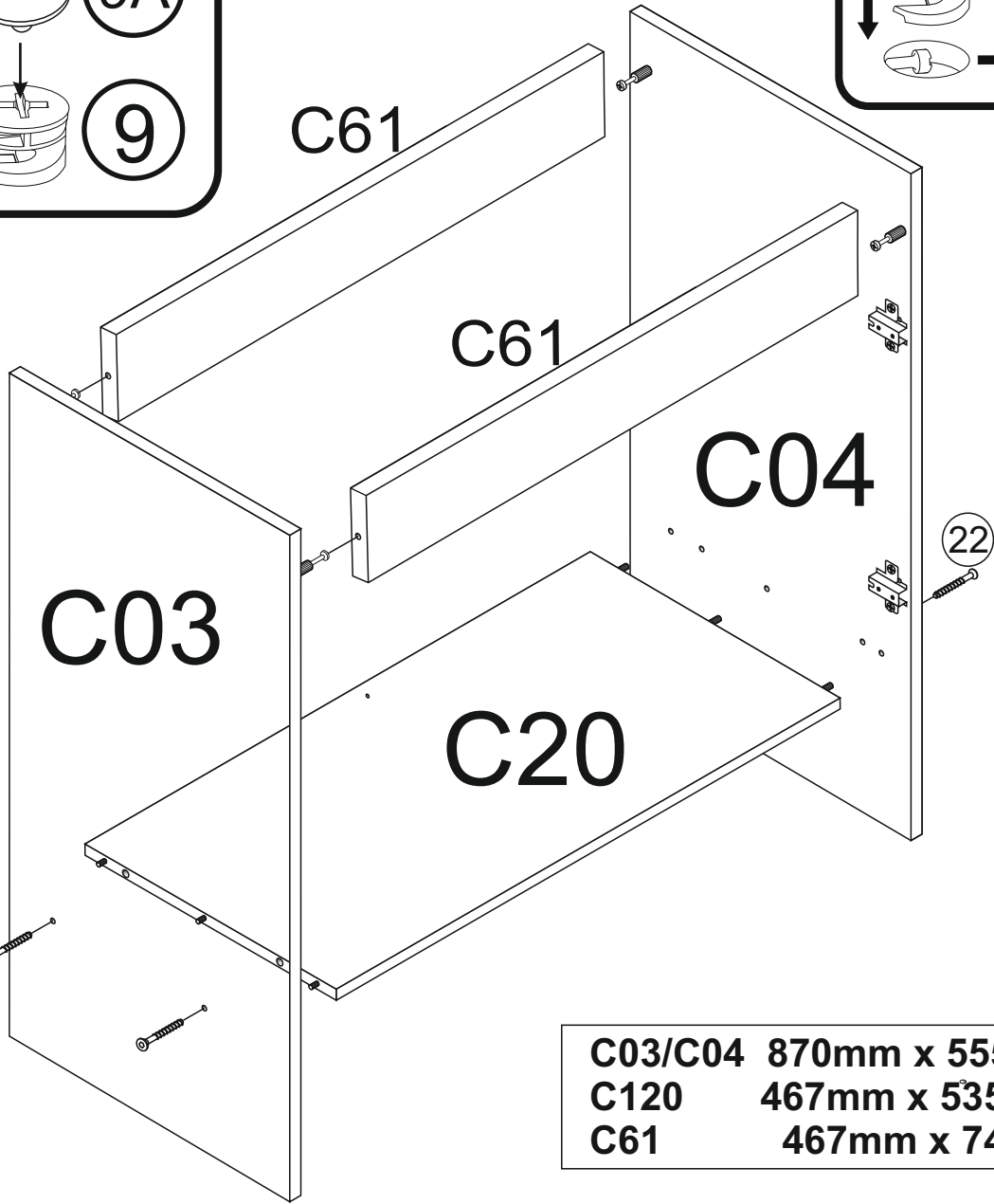
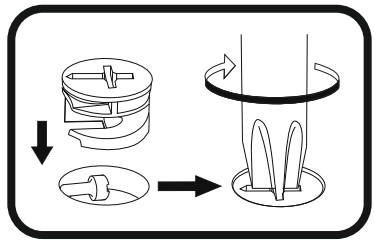
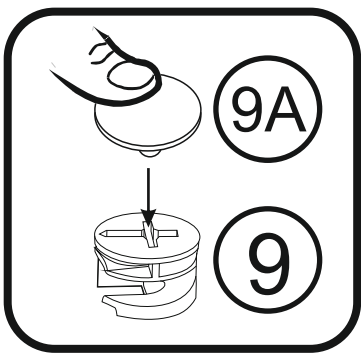
C40



C20

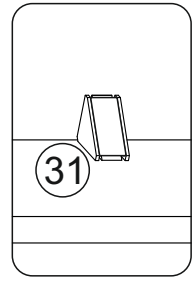
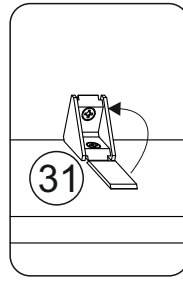
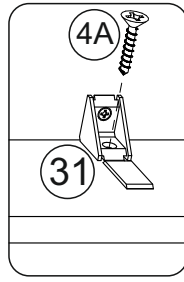
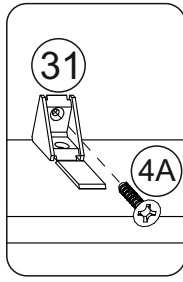
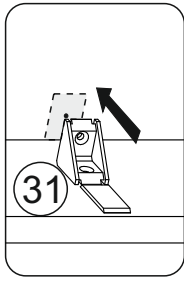
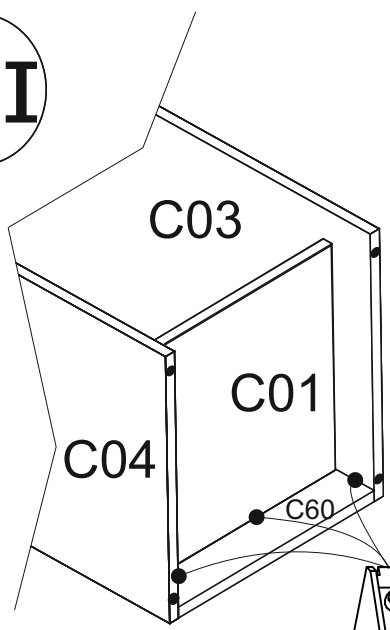


II



C03/C04	870mm x 555mm
C120	467mm x 535mm
C61	467mm x 74mm

III

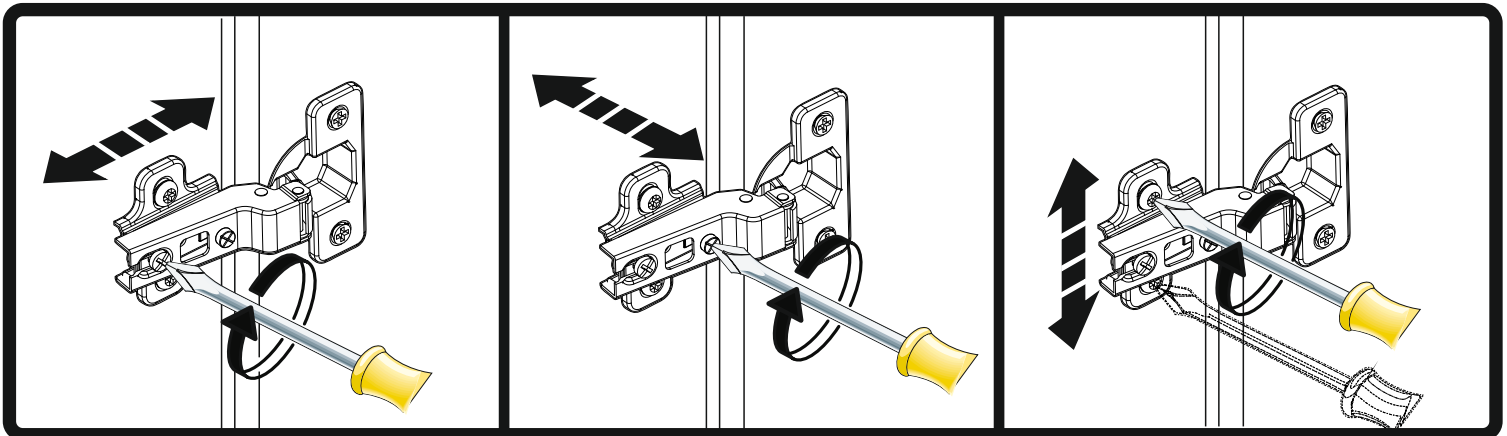
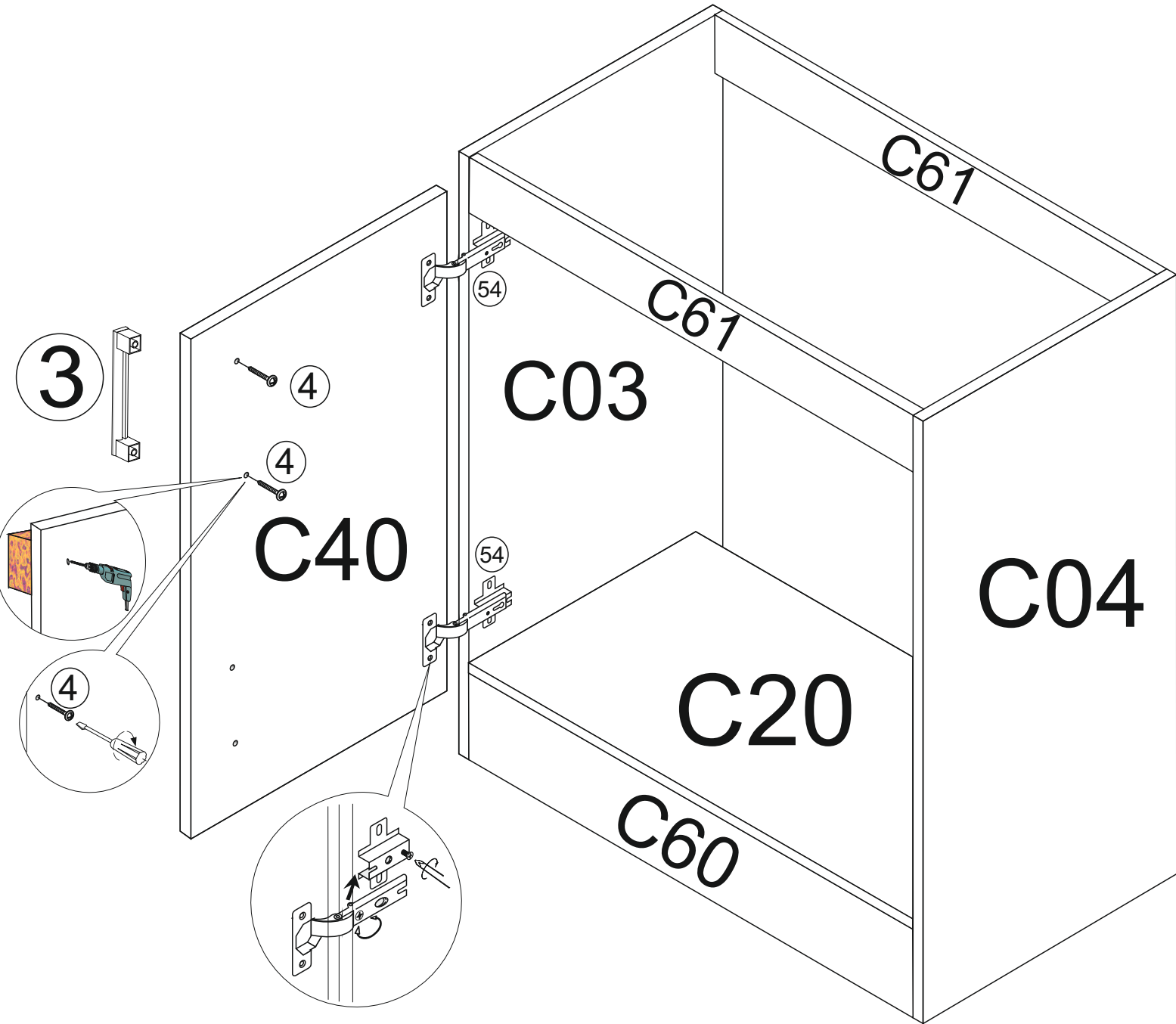


C60	467mm x 150mm
-----	---------------

31 x3

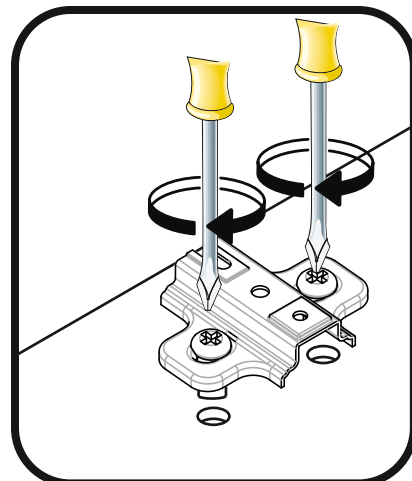
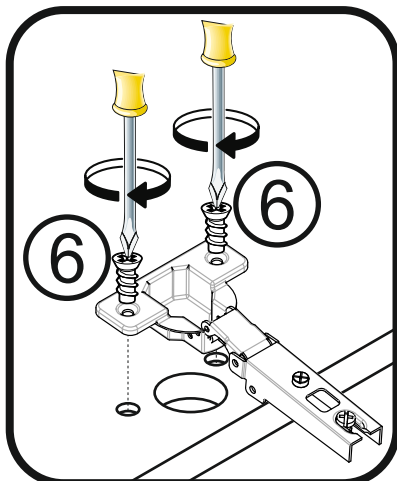
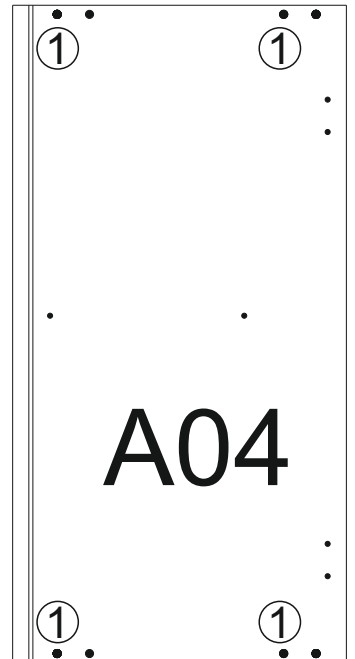
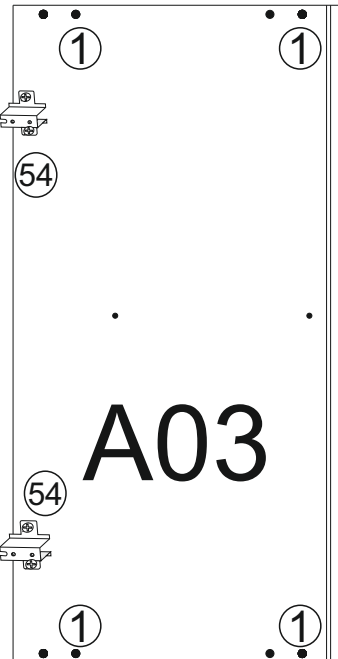
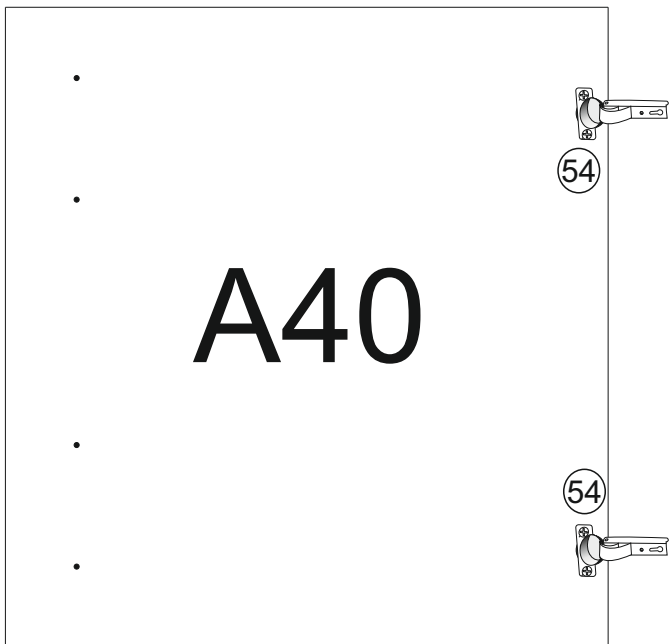
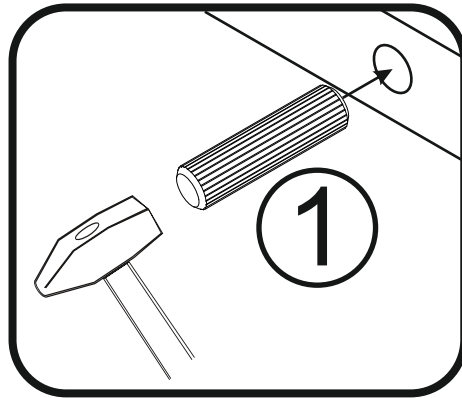
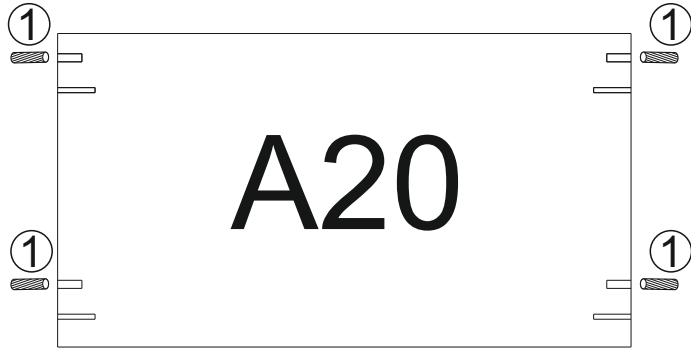
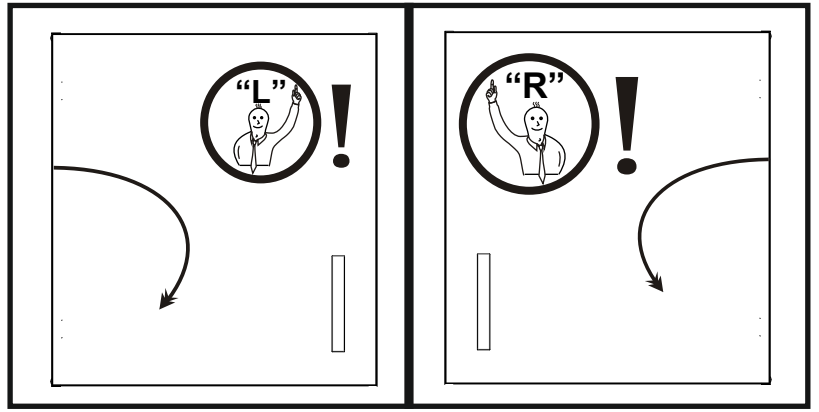
IV

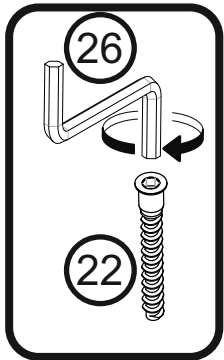
C40 713mm x 496mm



A

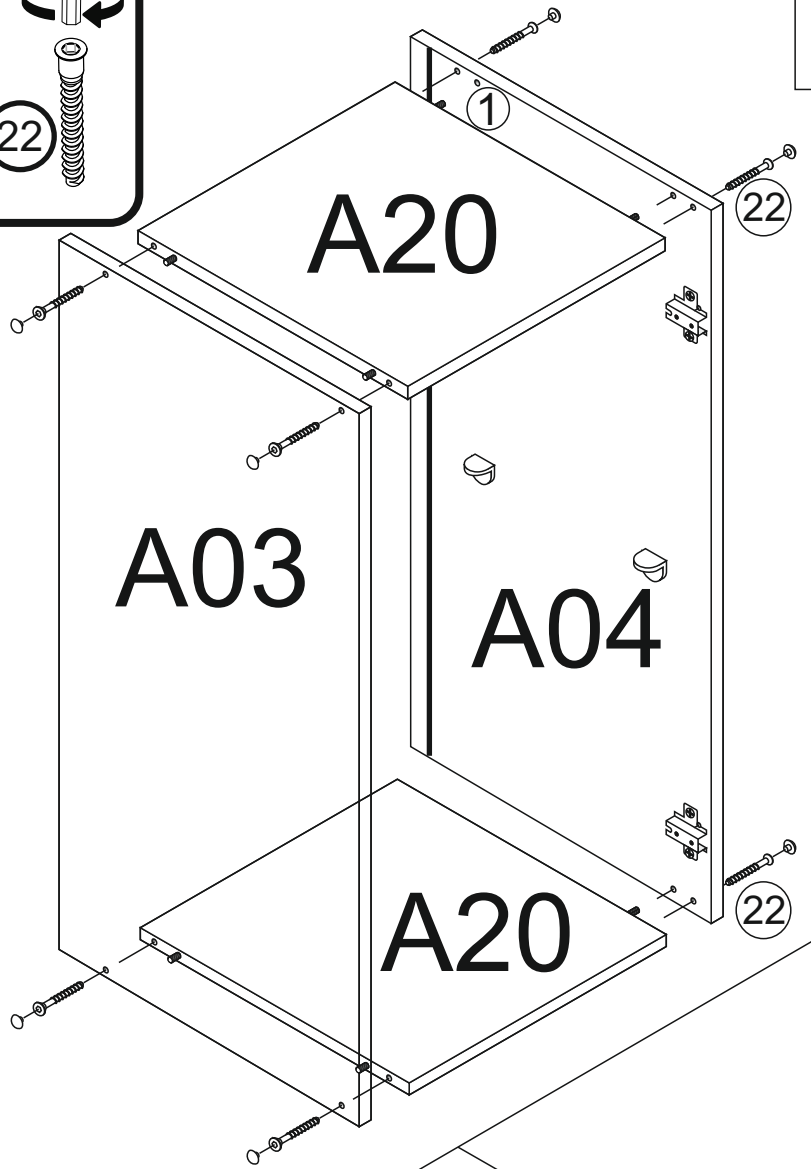
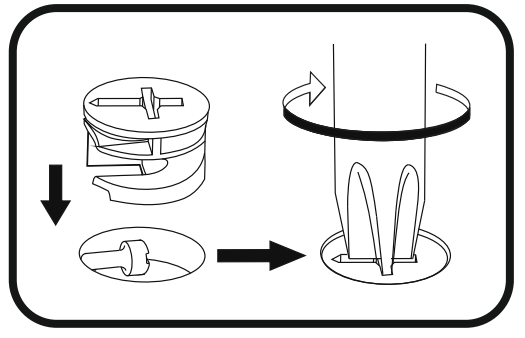
I



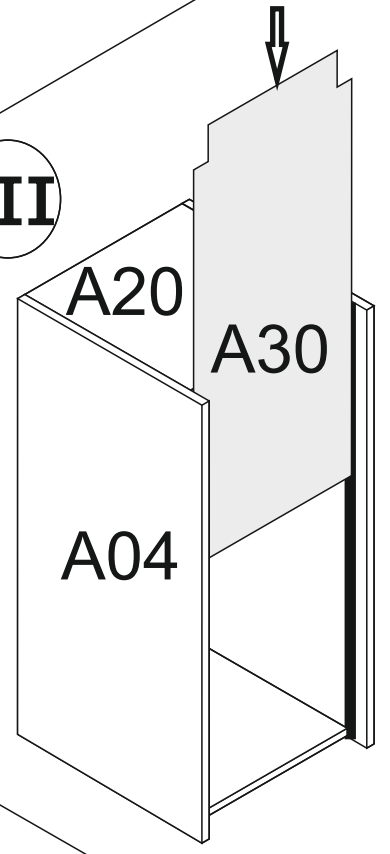


II

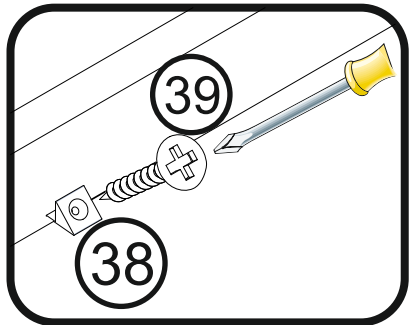
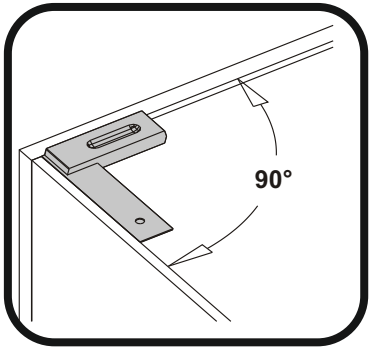
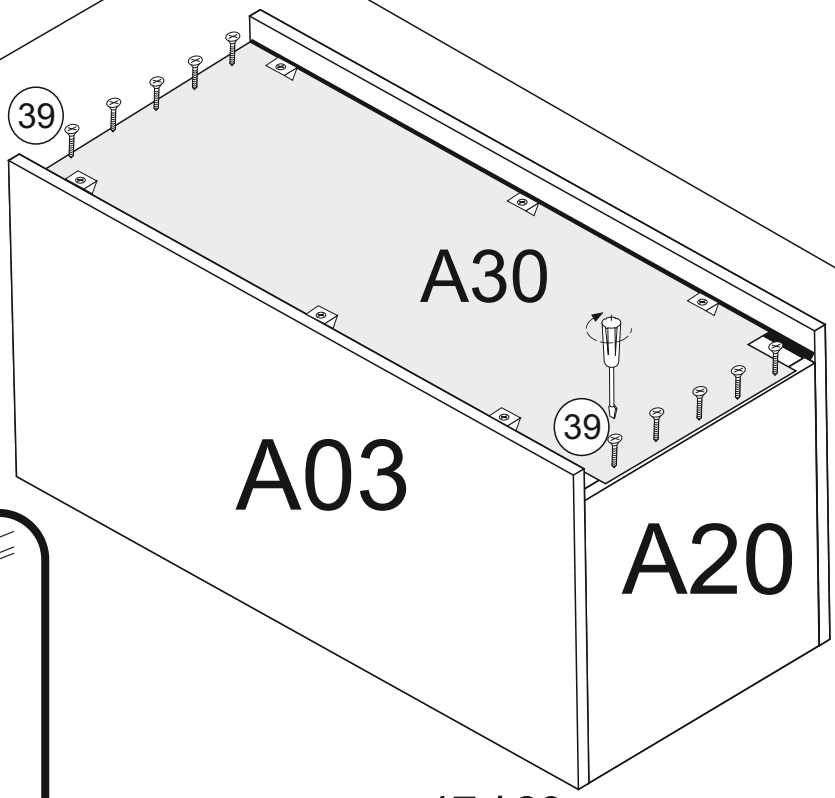
A03/A04	650mm x 330mm
A20	567mm x 310mm
A30	645mm x 577mm

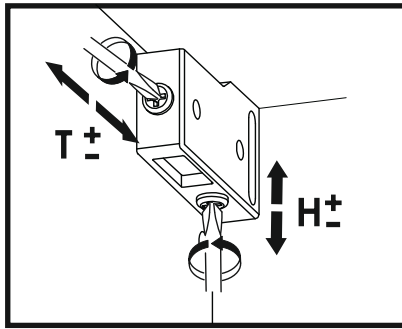
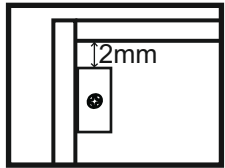
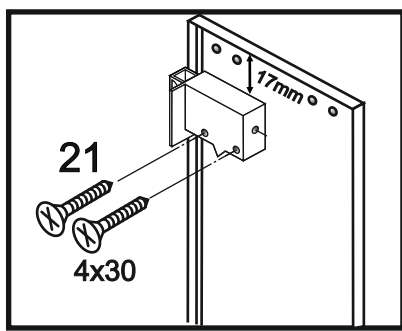


III



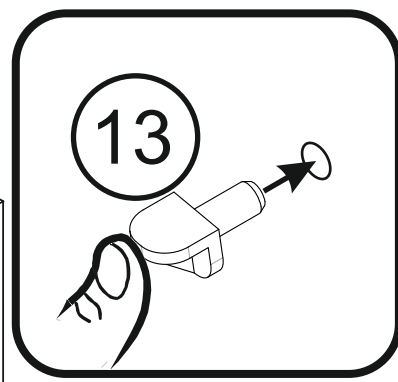
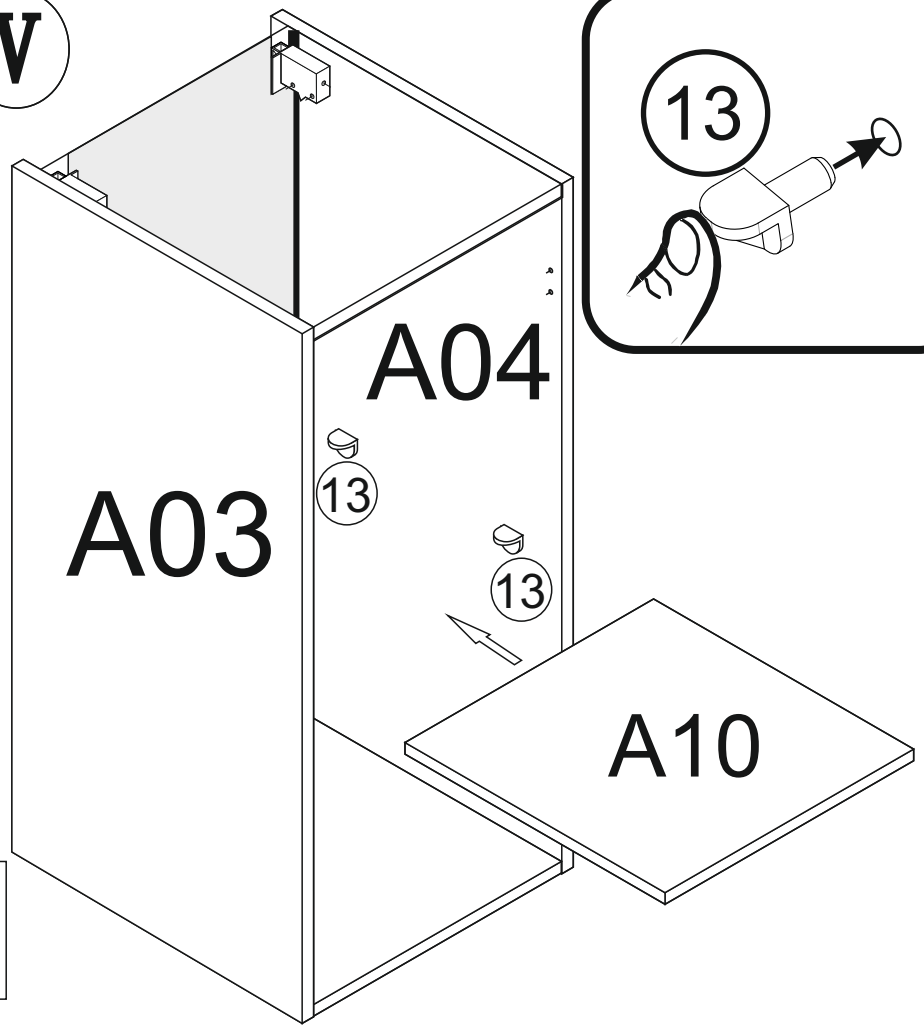
IV



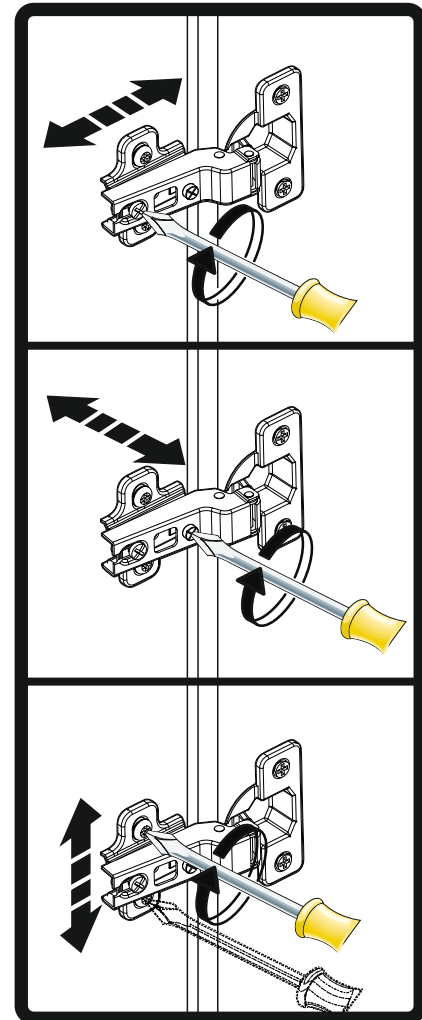
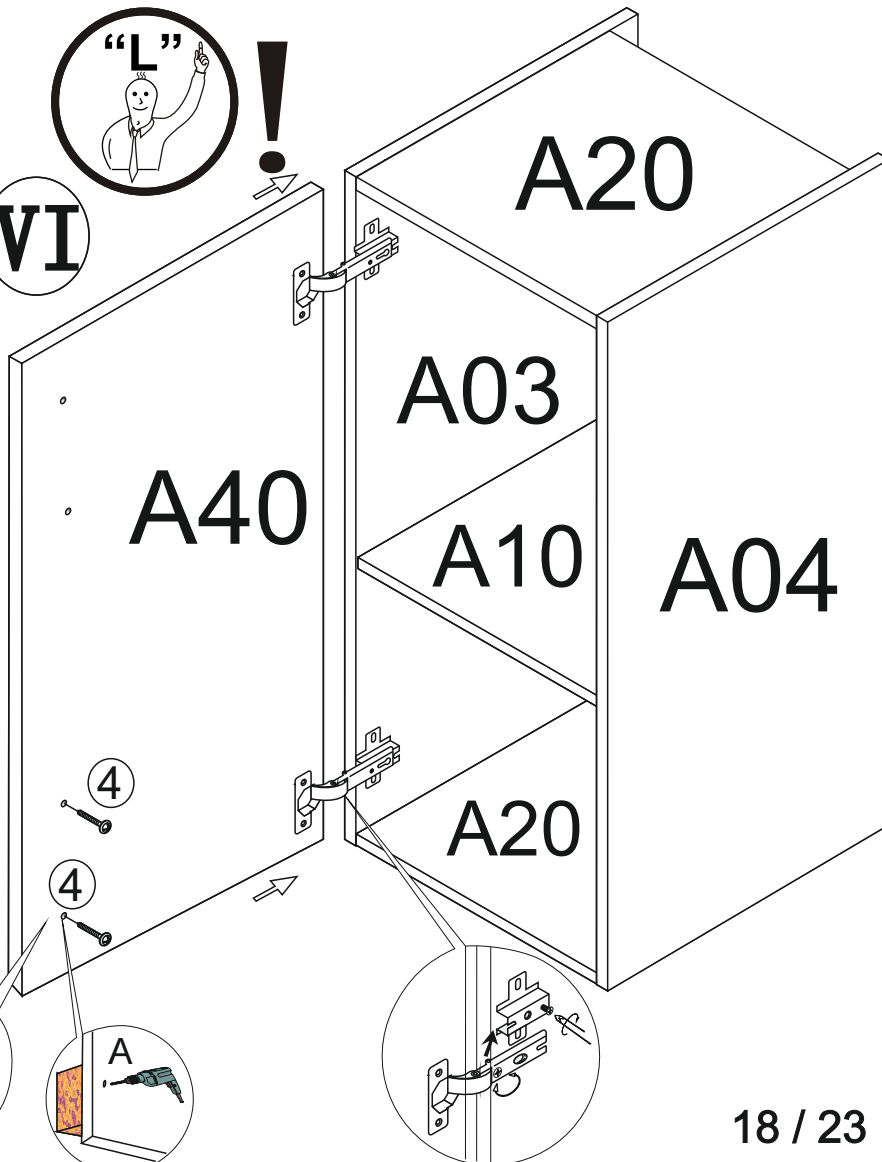


A40 646mm x 596mm
A10 567mm x 246mm

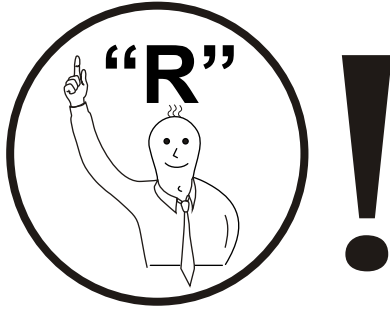
V



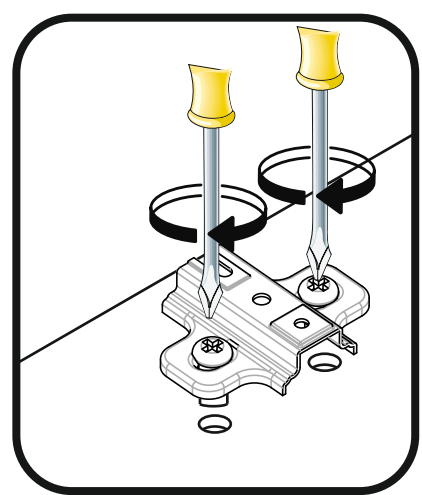
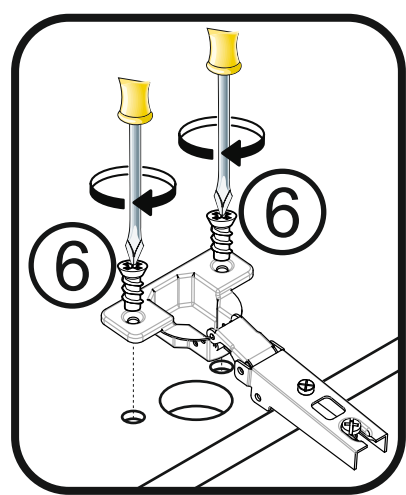
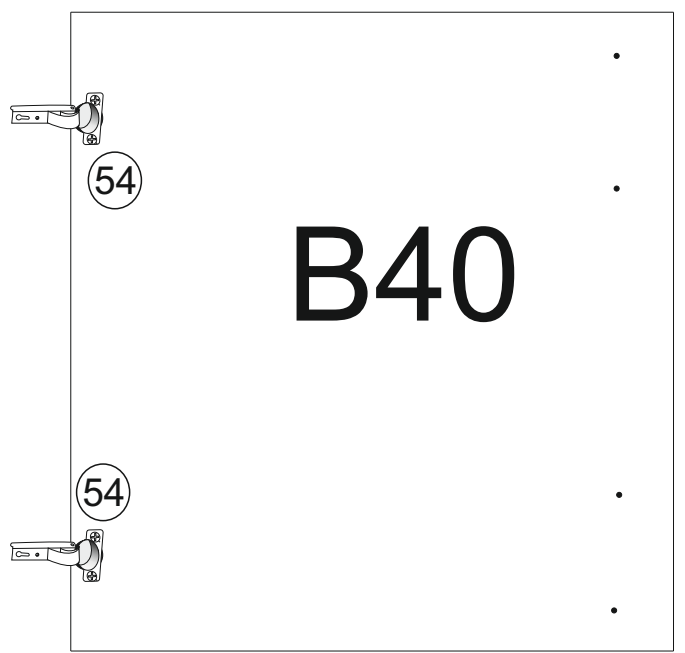
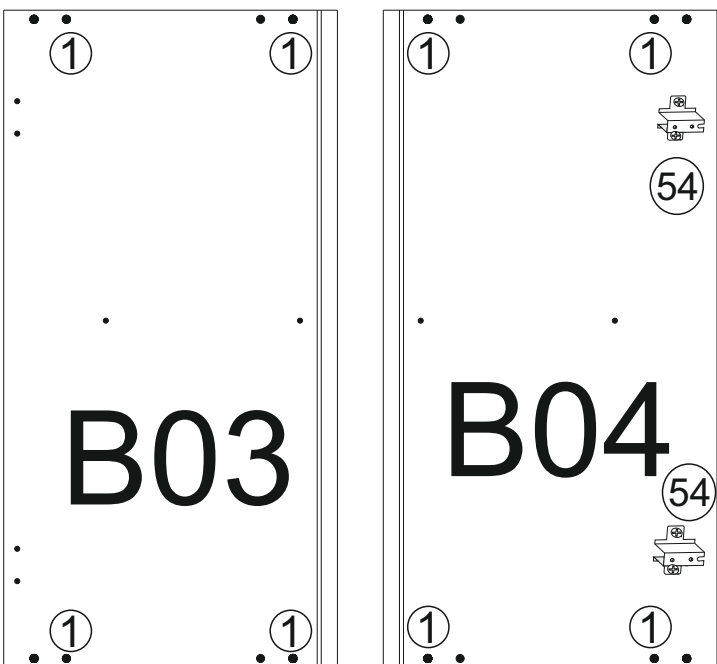
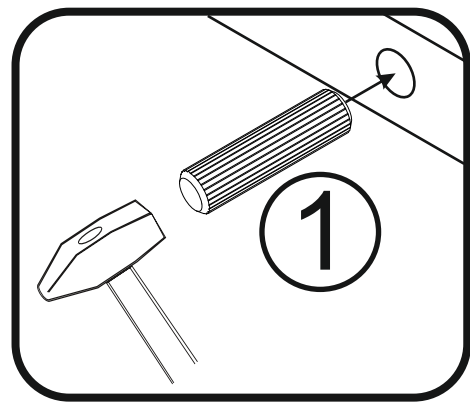
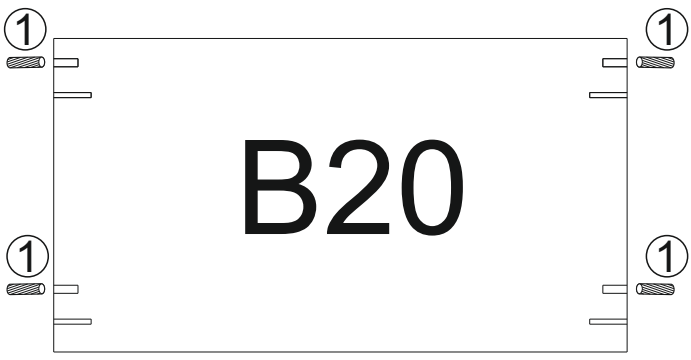
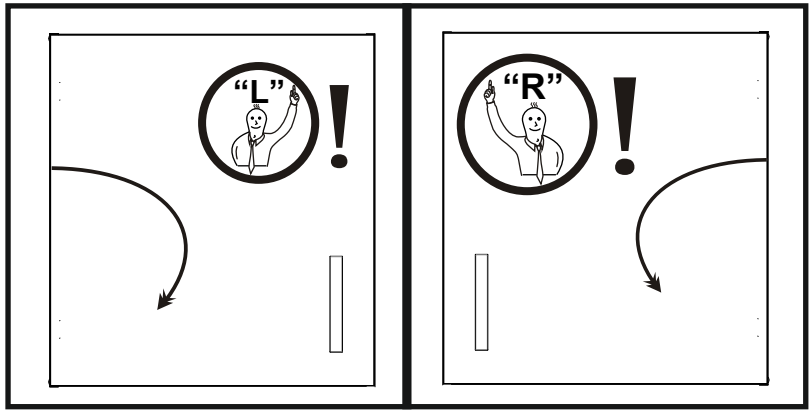
VI

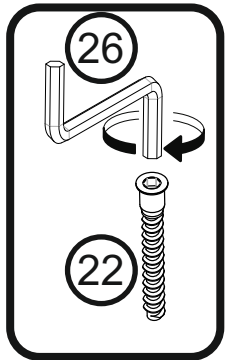


B



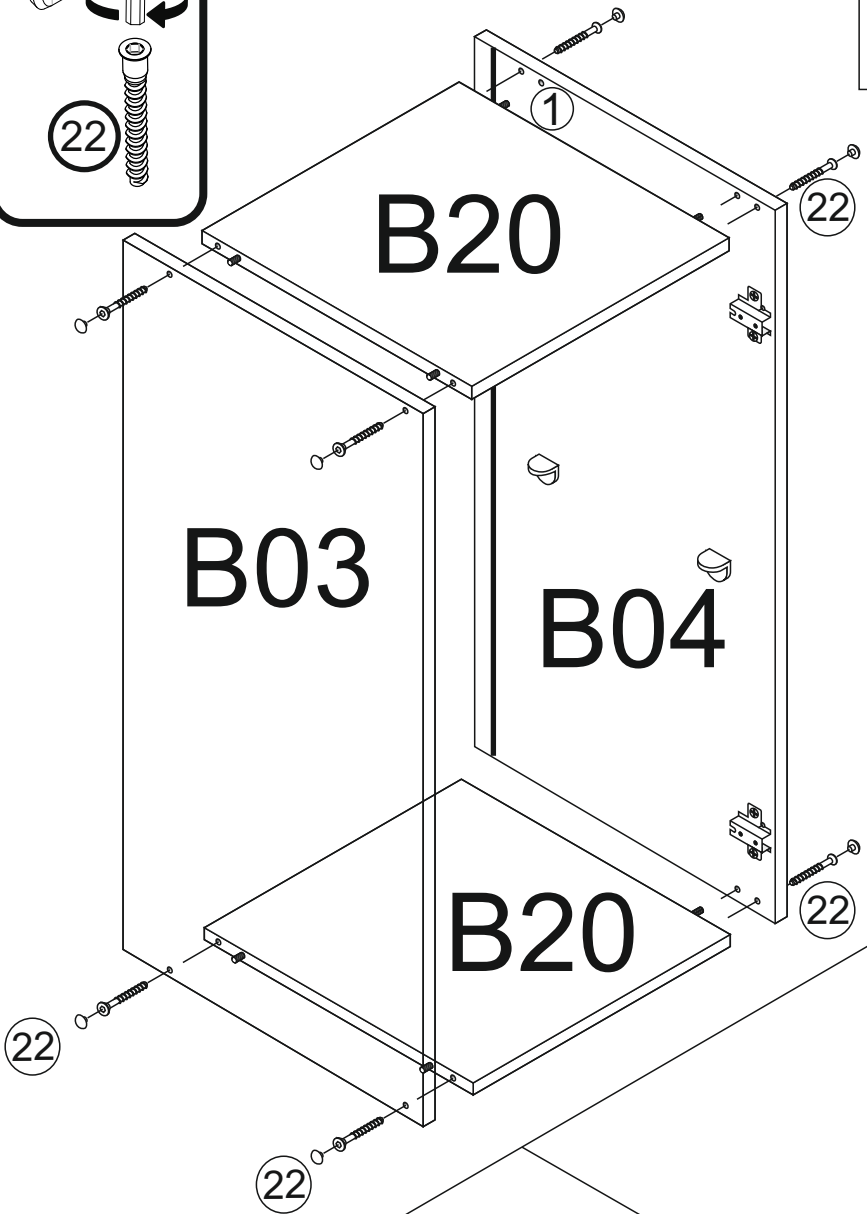
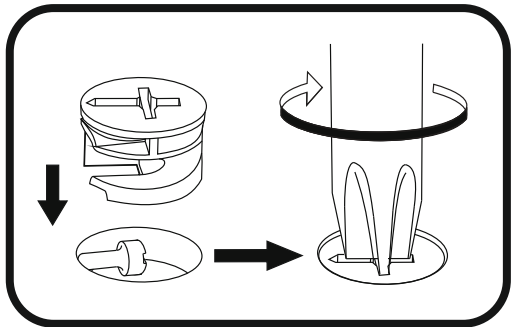
I



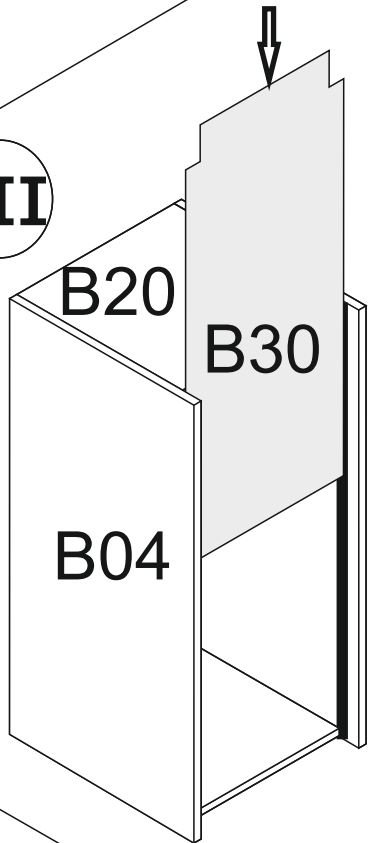


II

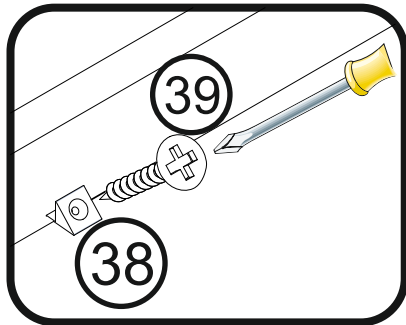
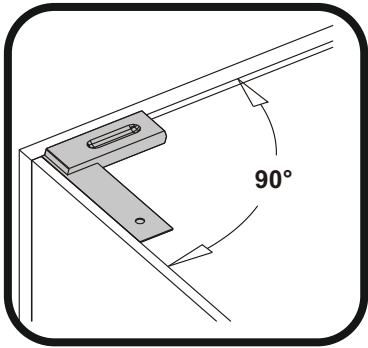
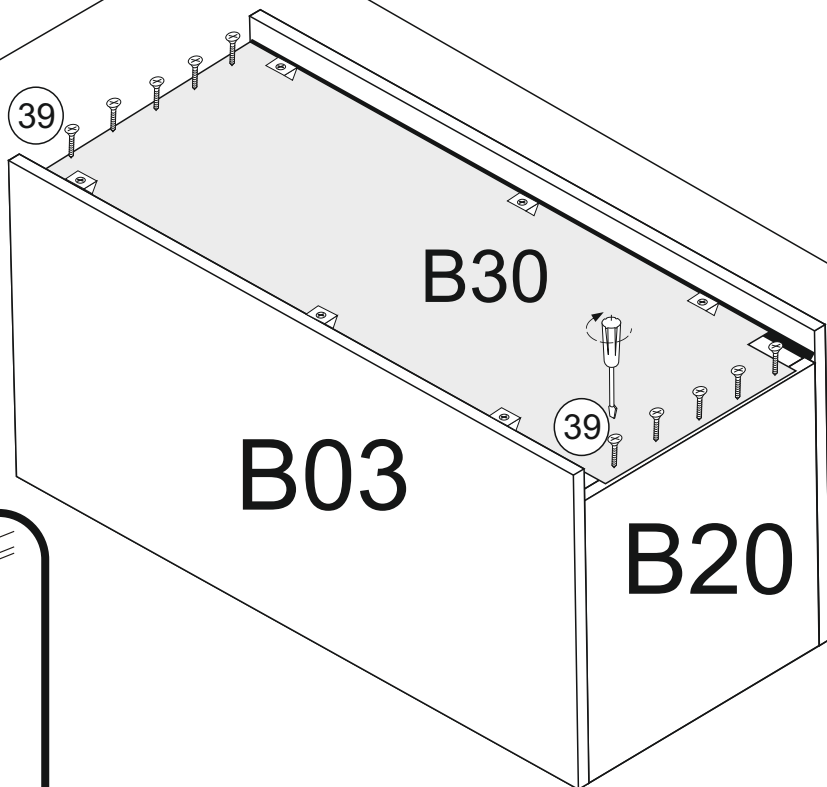
B03/A04	650mm x 330mm
B20	467mm x 310mm
B30	645mm x 477mm

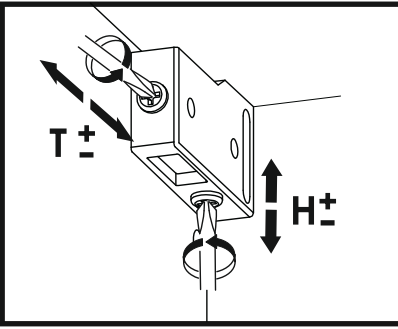
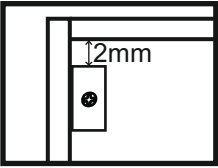
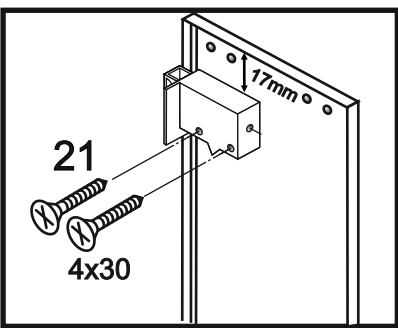


III



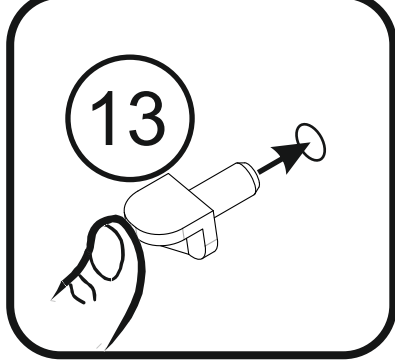
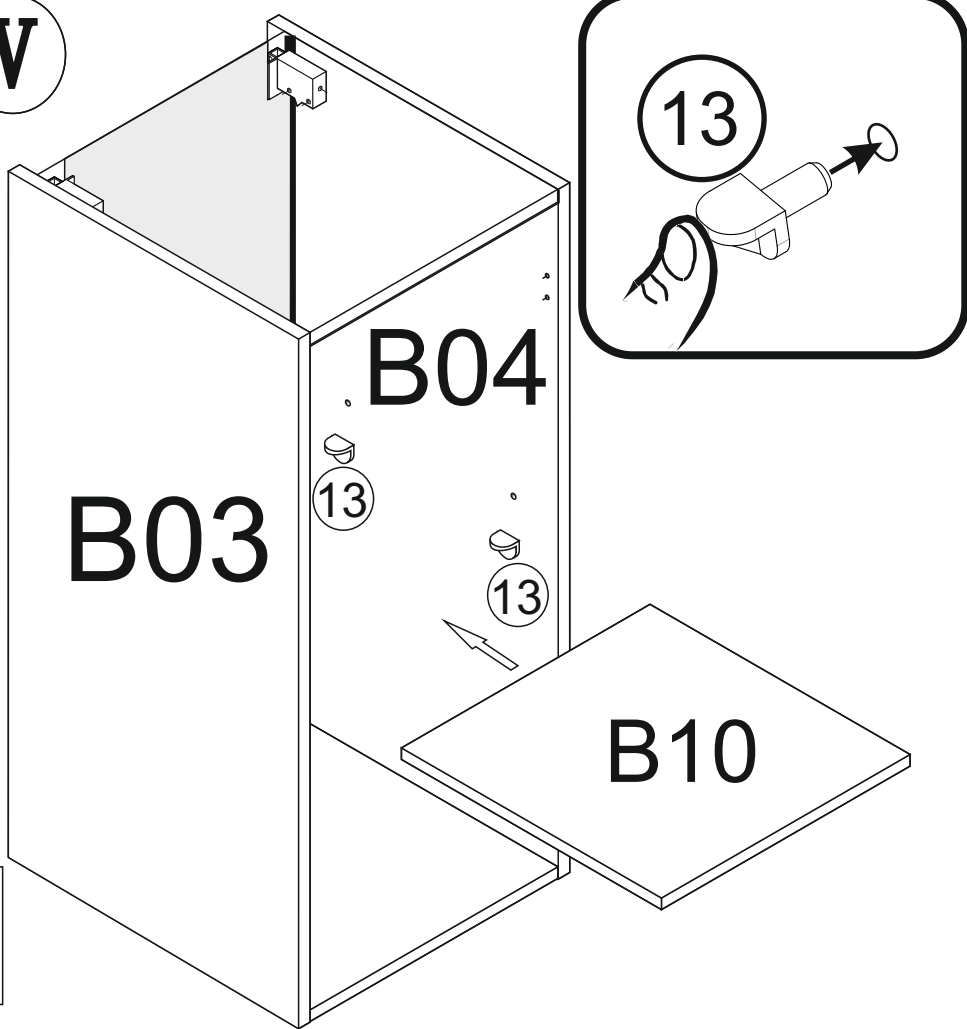
IV



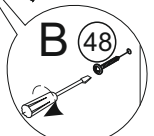
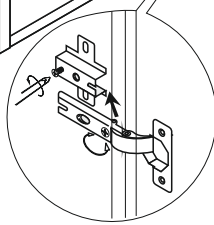
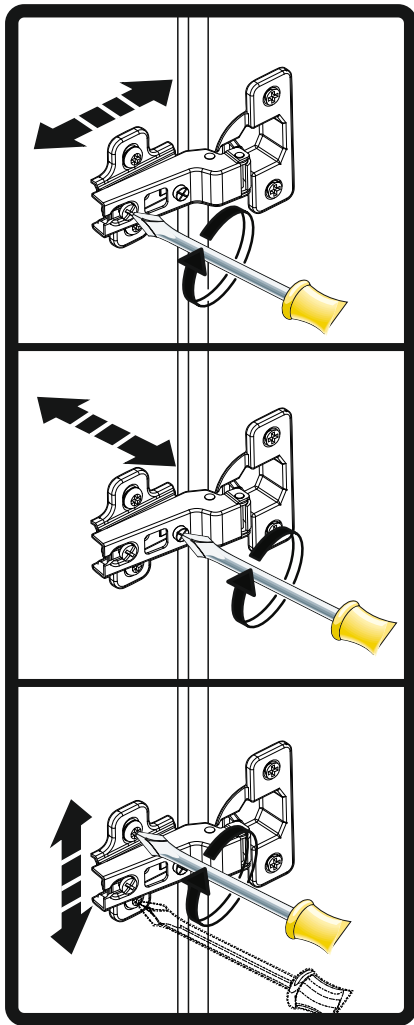
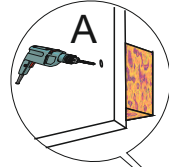
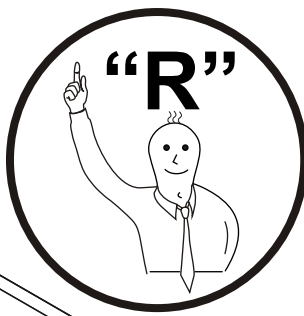
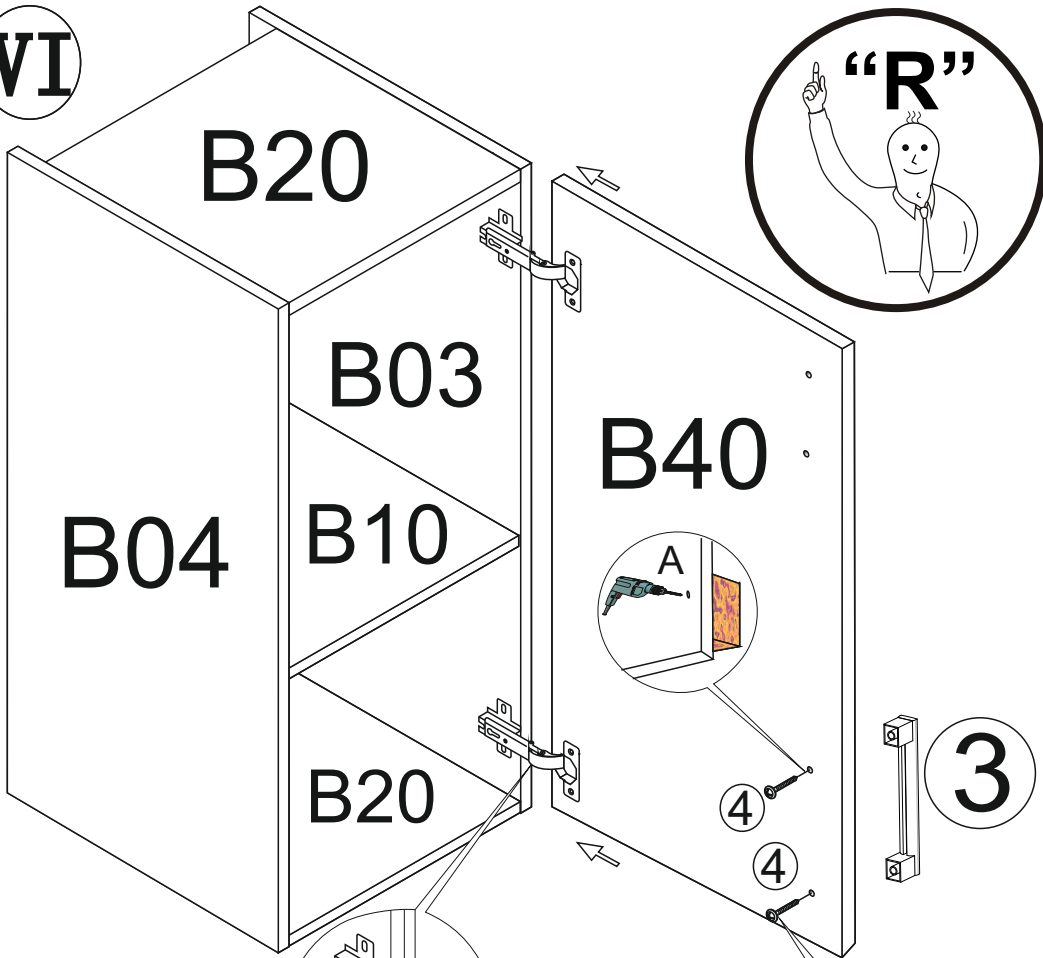


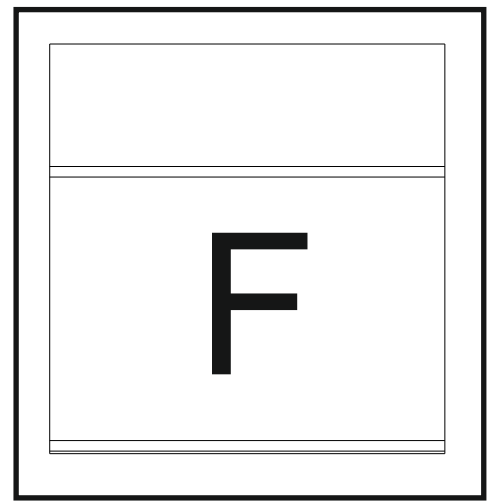
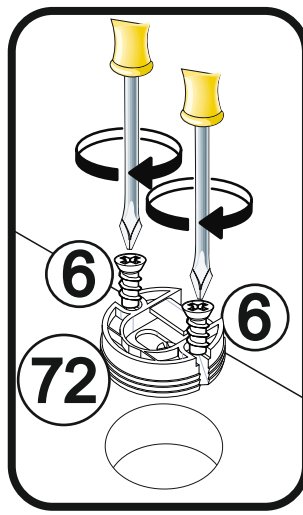
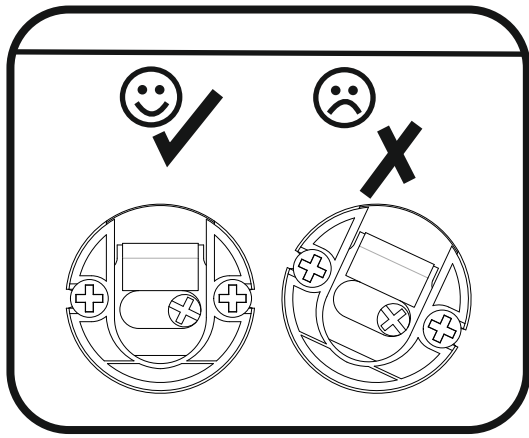
B40 646mm x 496mm
B10 467mm x 246mm

V

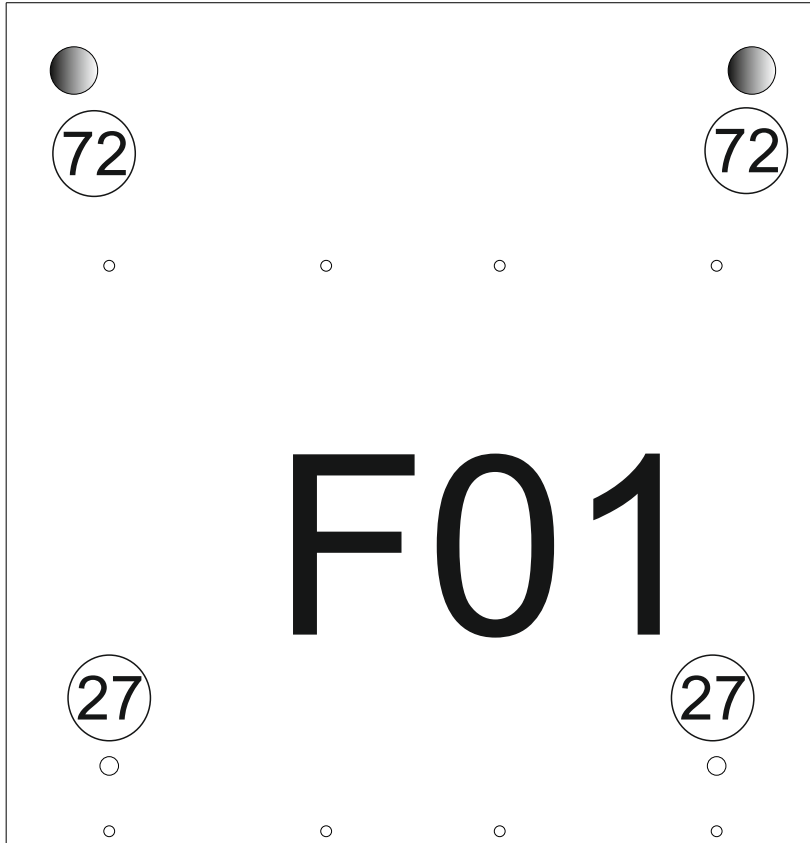


VI

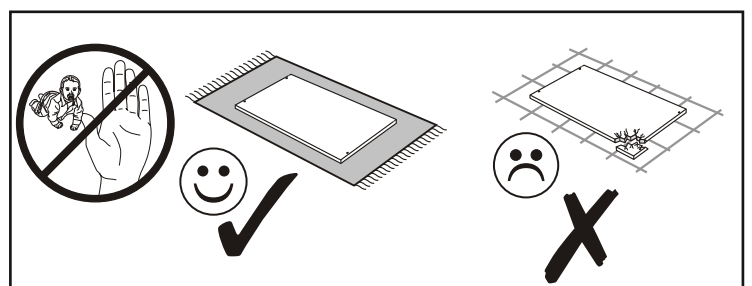
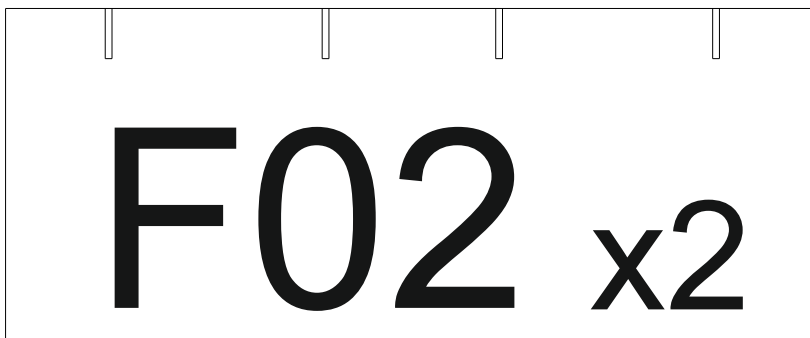




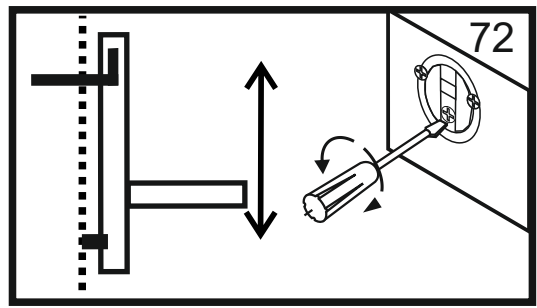
I



F01 500mm x 650mm
F02 500mm x 246mm



I



6

6

72

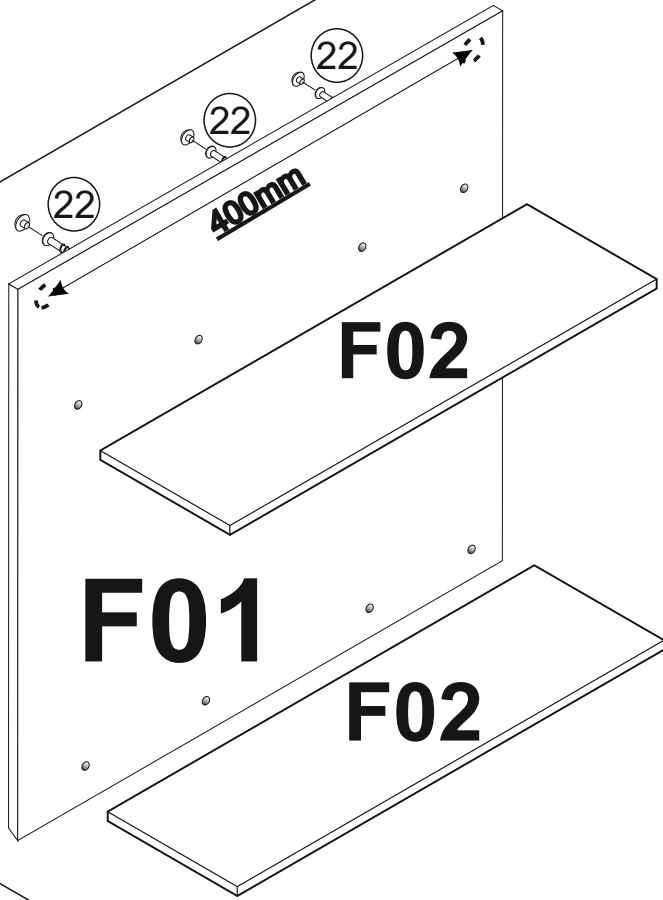
72

F01

27

27

II



22

22

400mm

F02

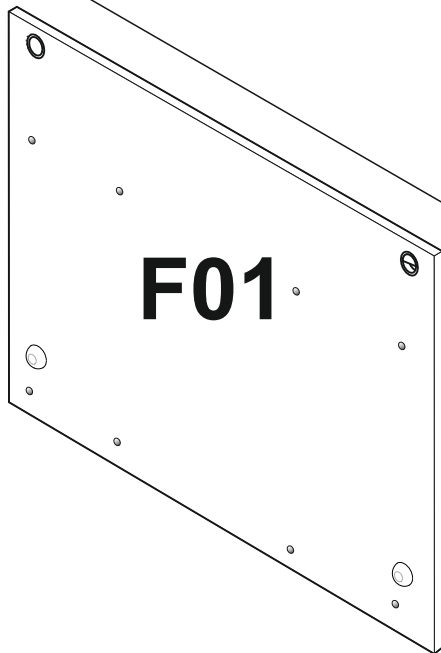
22

F01

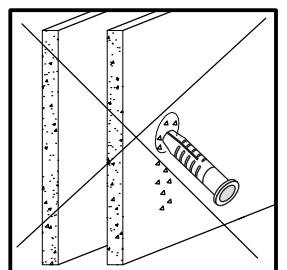
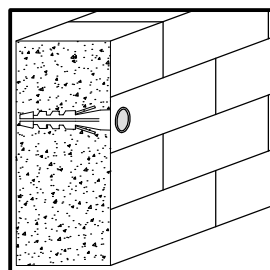
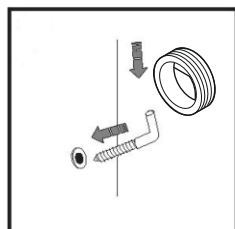
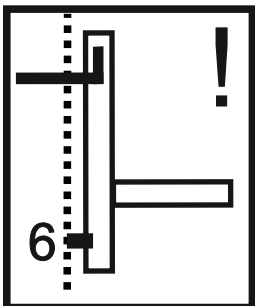
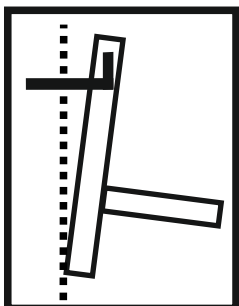
F02

22

III



F01



<http://www.bega-gruppe.de>

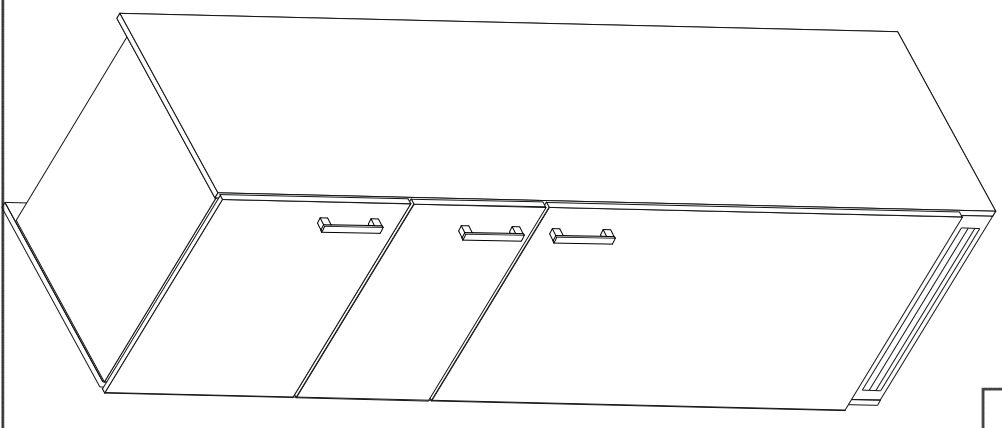


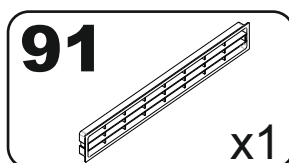
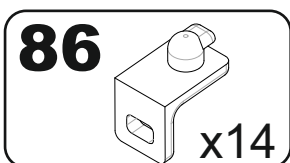
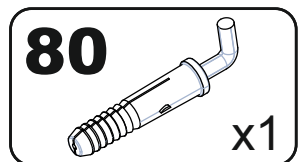
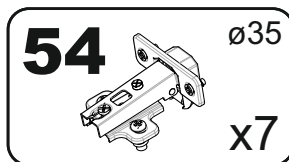
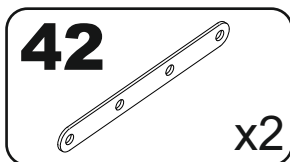
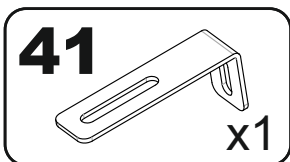
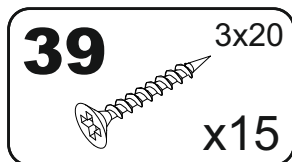
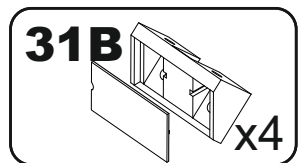
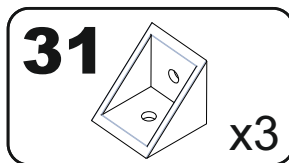
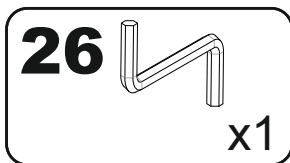
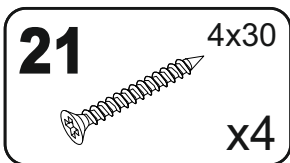
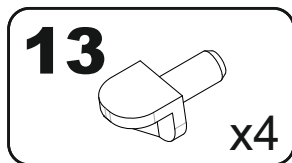
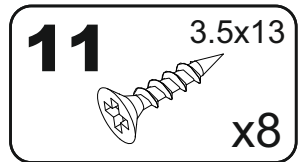
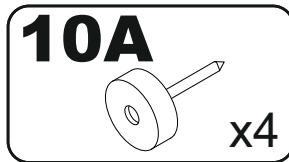
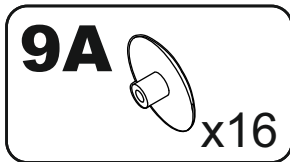
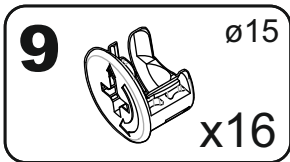
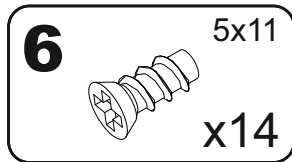
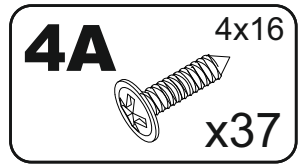
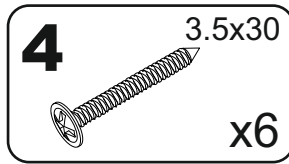
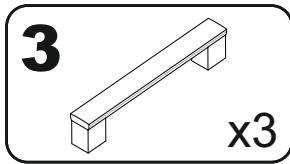
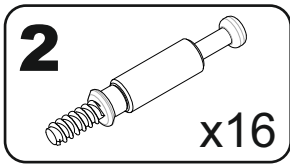
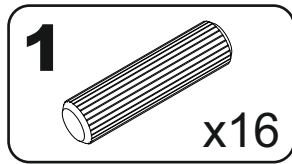
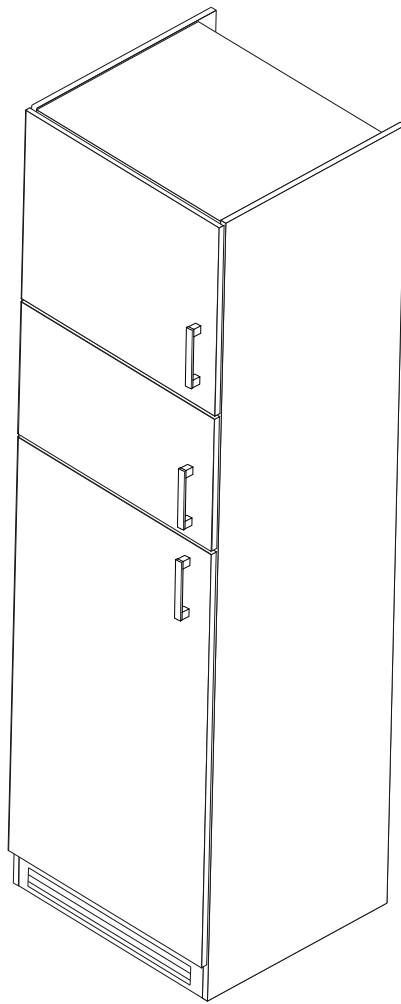
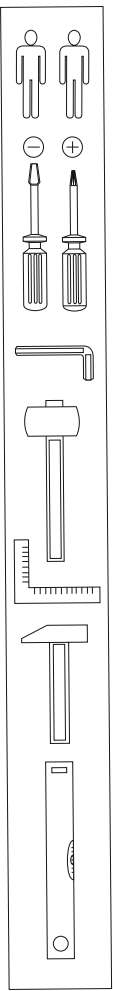
- | | |
|----|----------------|
| BG | Bulgarisch |
| CS | Tschechisch |
| DA | Dänisch |
| DE | Deutsch |
| ET | Eestlisch |
| EL | Griechisch |
| EN | English |
| ES | Spanisch |
| FR | Französisch |
| FI | Finnisch |
| HR | Kroatisch |
| HU | Ungarisch |
| IT | Italienisch |
| LV | Lettisch |
| LT | Litauisch |
| NL | Niederländisch |
| PL | Polnisch |
| PT | Portugiesisch |
| RO | Rumänisch |
| SK | Slowakisch |
| SL | Slowenisch |
| SV | Schwedisch |

874/2012

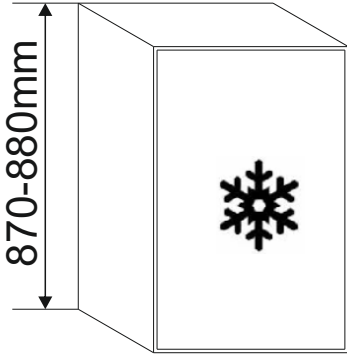


60 min

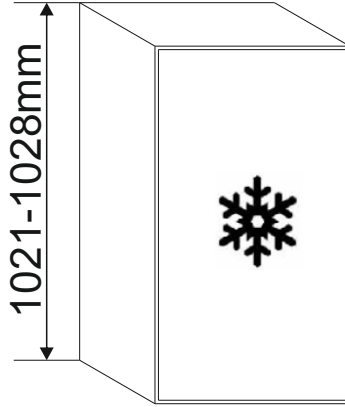




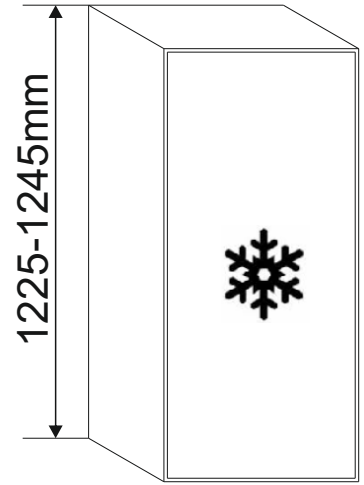
OPTION 1



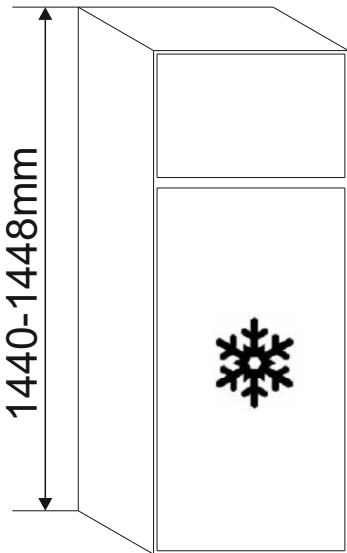
OPTION 2



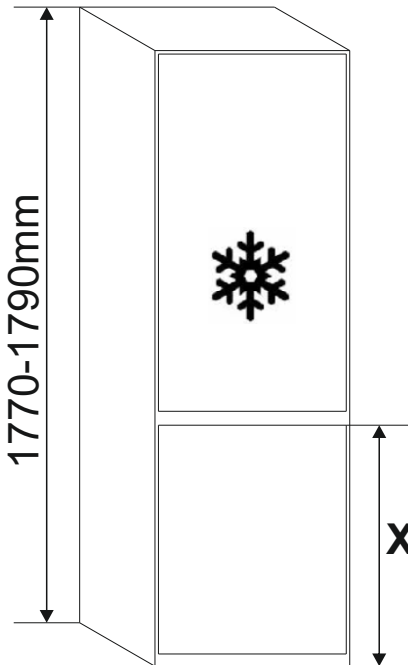
OPTION 3



OPTION 4

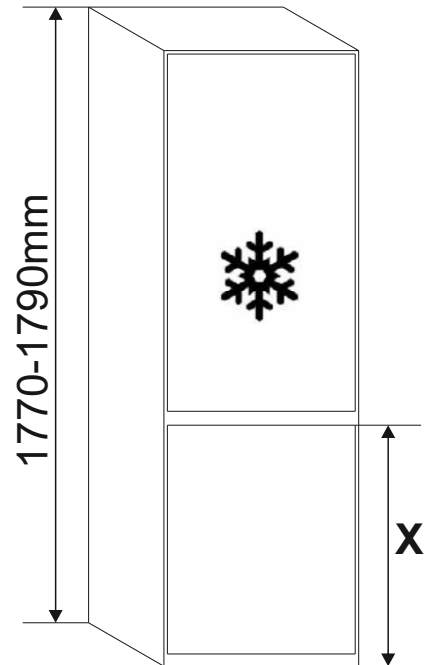


OPTION 5



$X \leq 718\text{mm}$

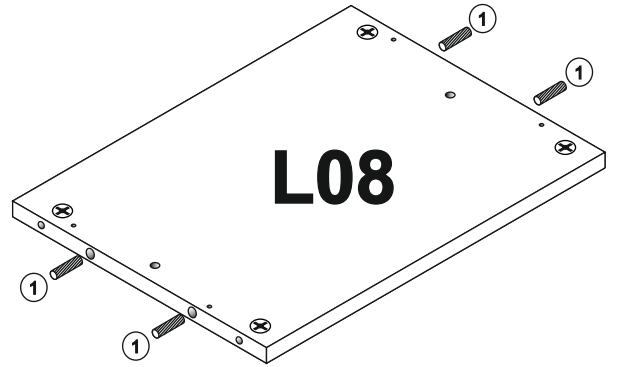
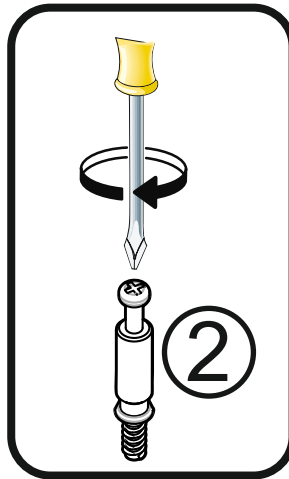
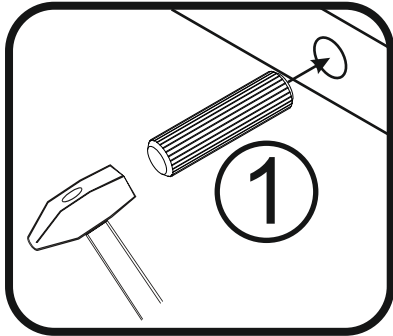
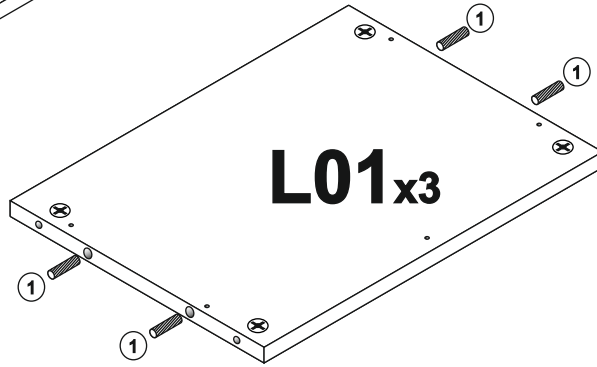
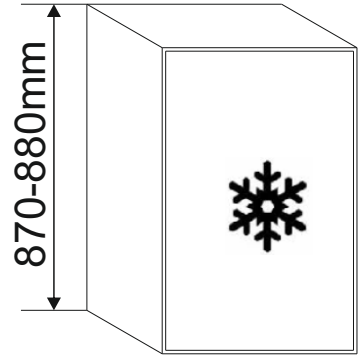
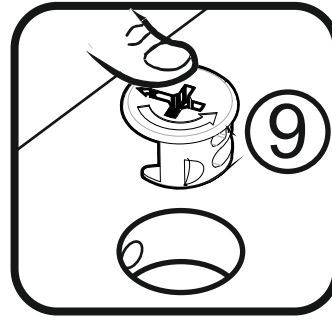
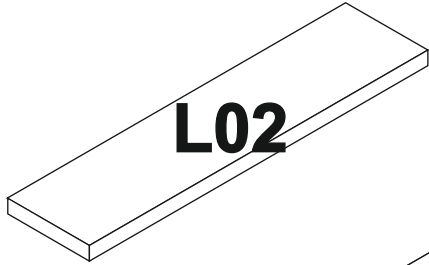
OPTION 6



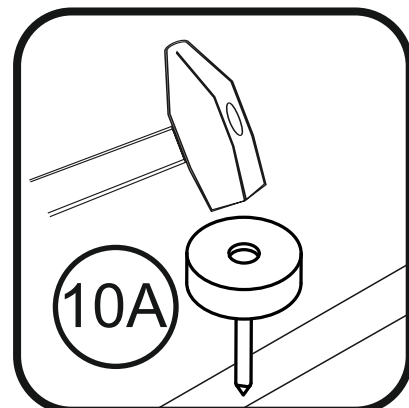
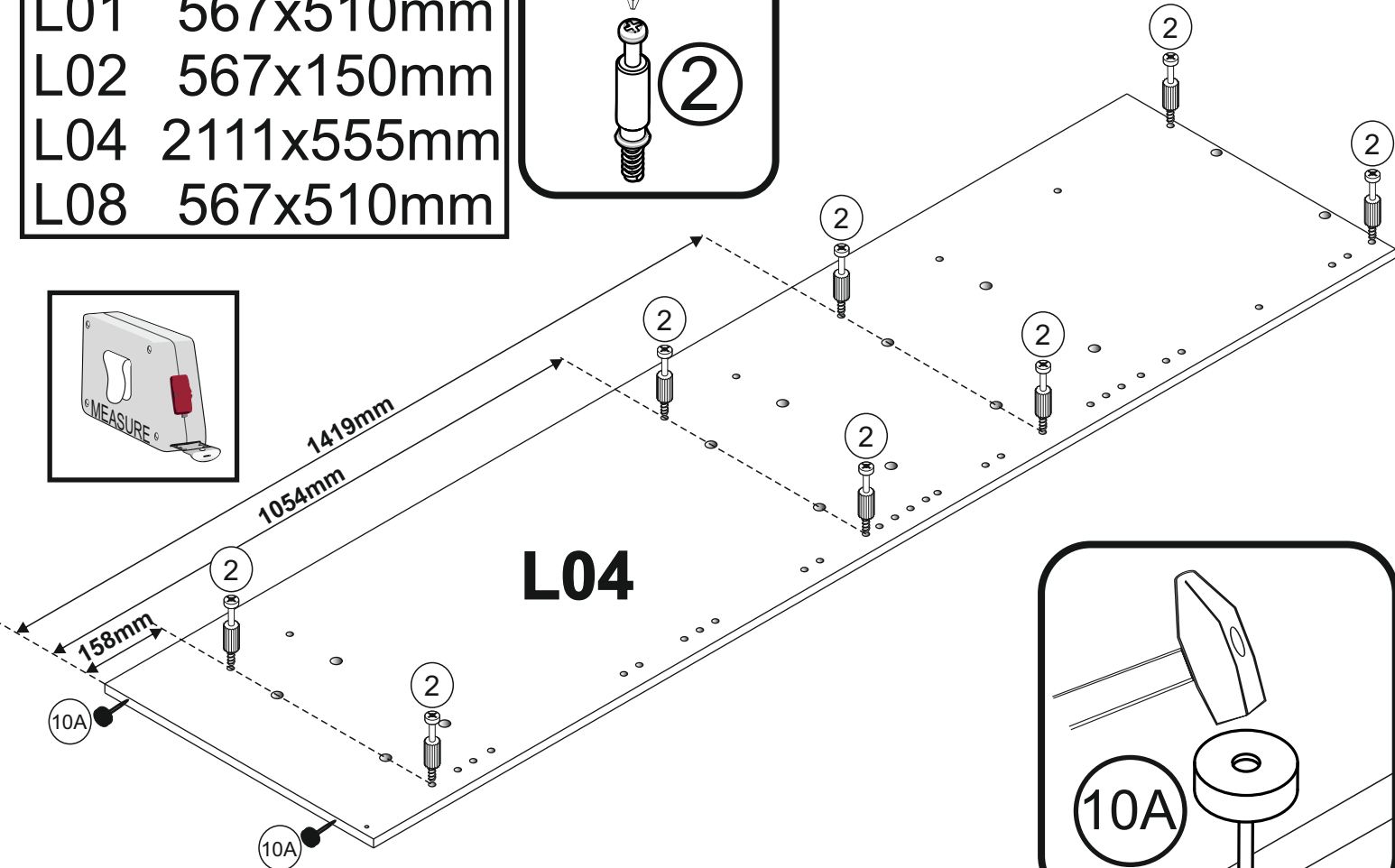
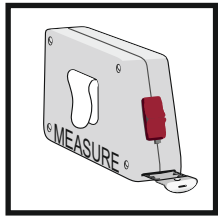
$X > 718\text{mm}$

1

OPTION 1

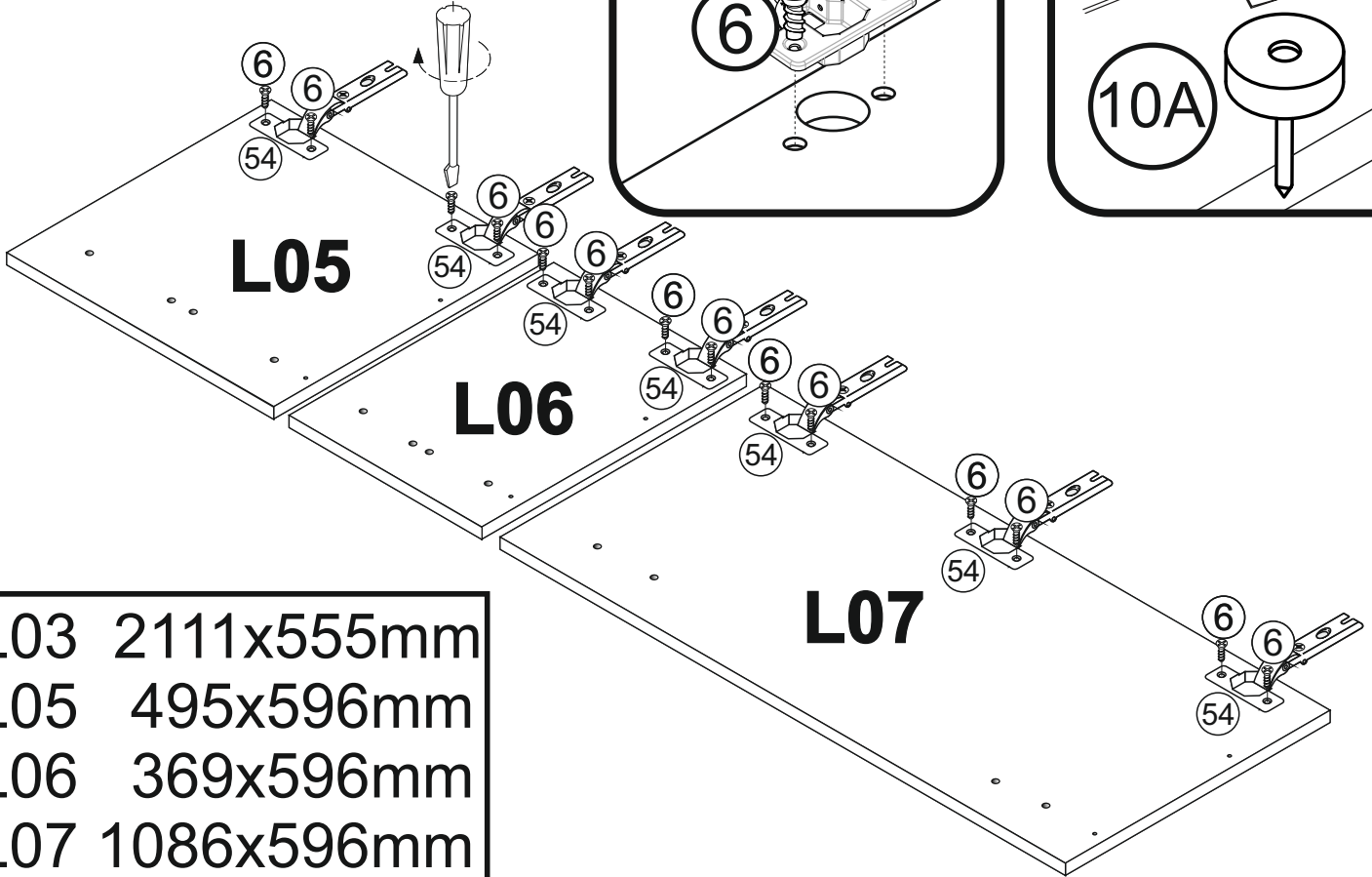
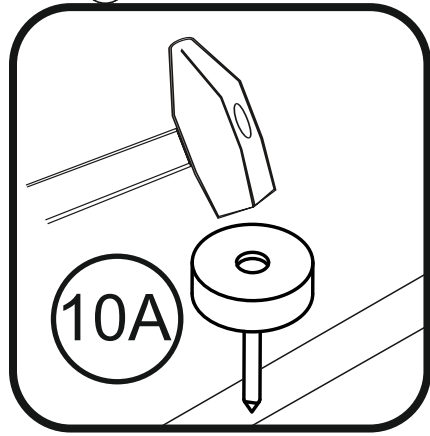
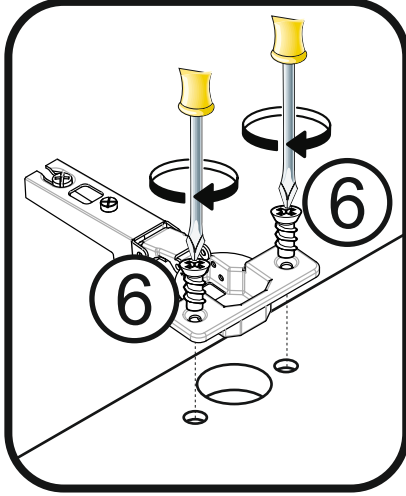
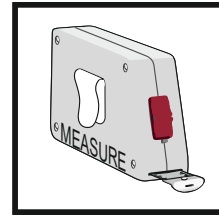
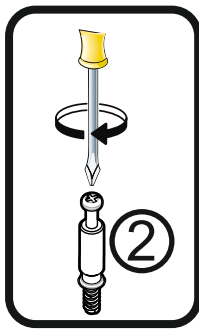
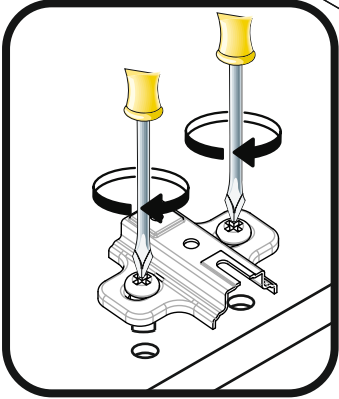
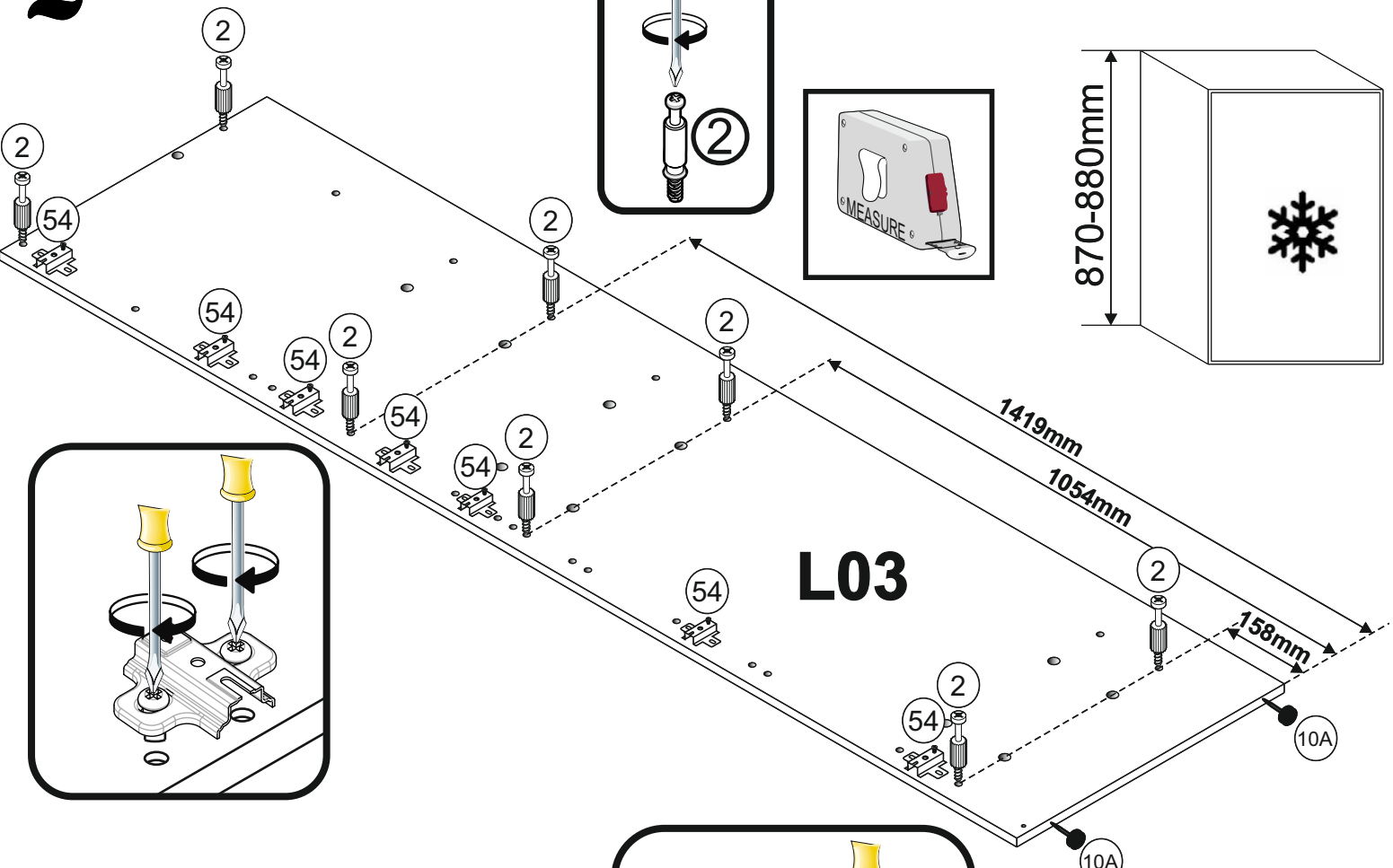
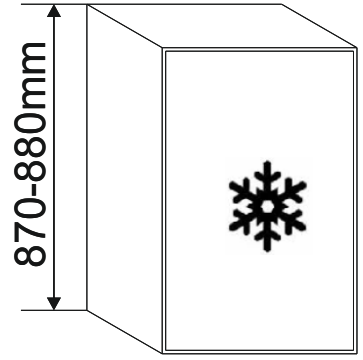


L01	567x510mm
L02	567x150mm
L04	2111x555mm
L08	567x510mm



2

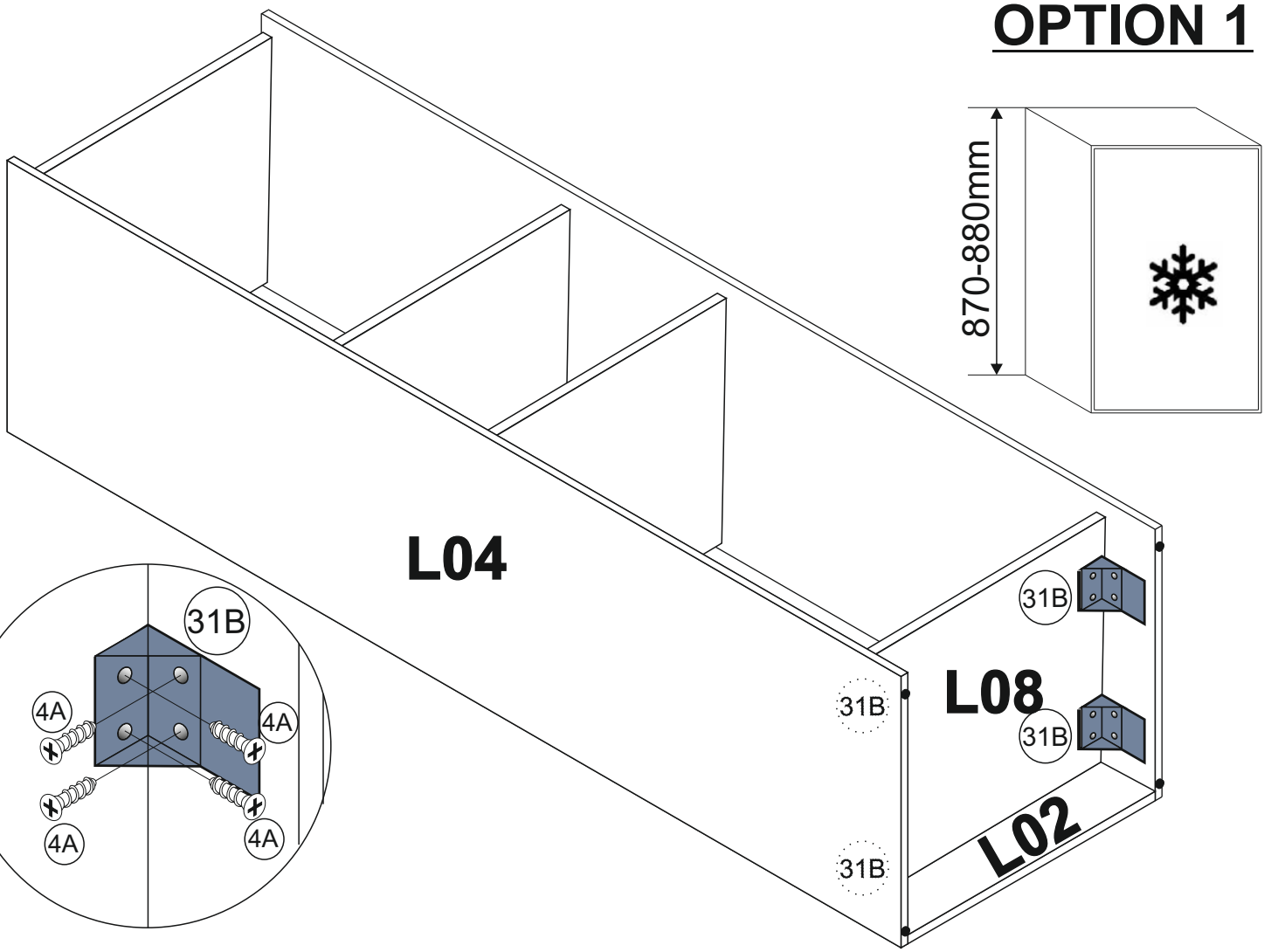
OPTION 1



L03	2111x555mm
L05	495x596mm
L06	369x596mm
L07	1086x596mm

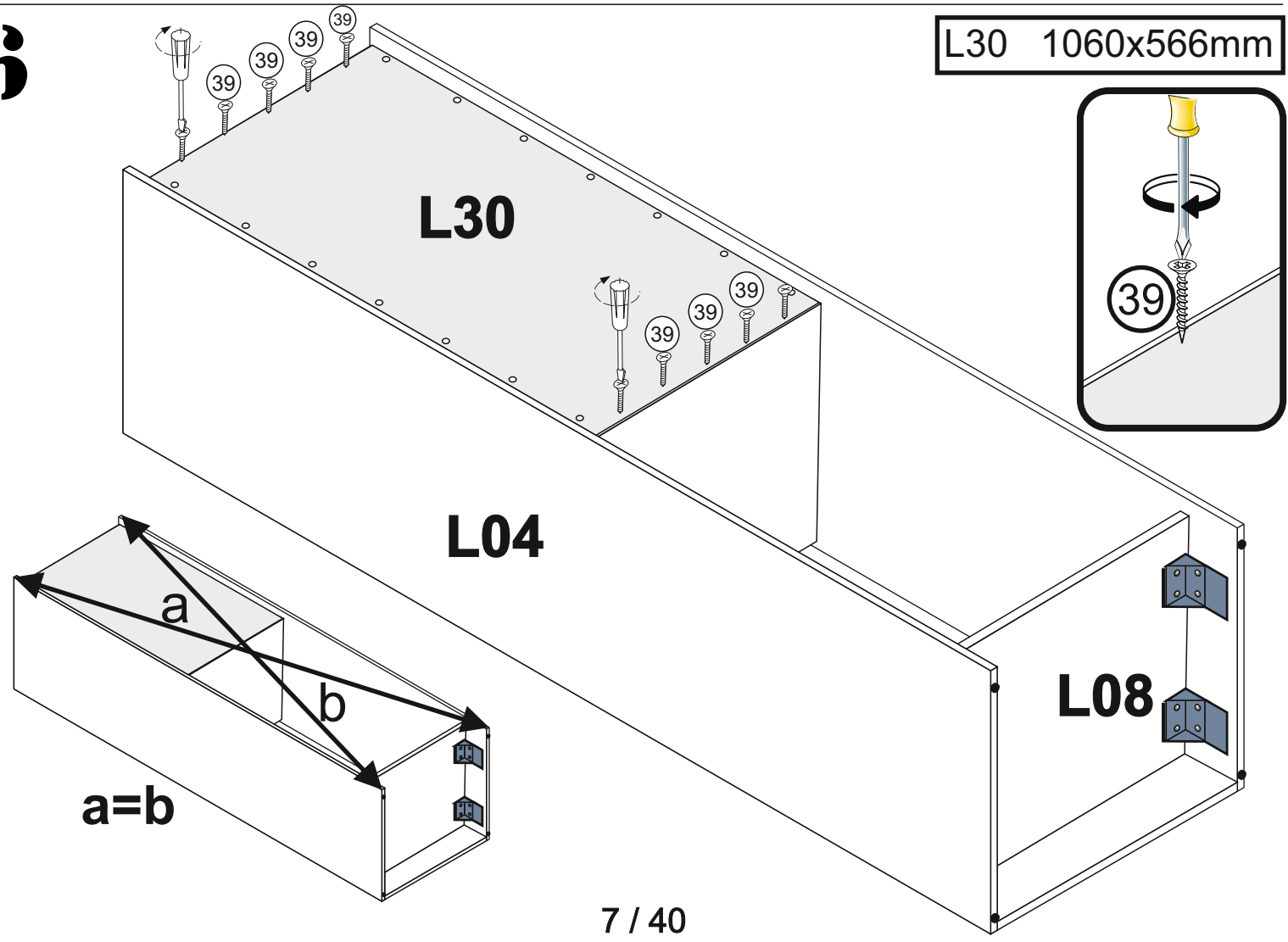
5

OPTION 1



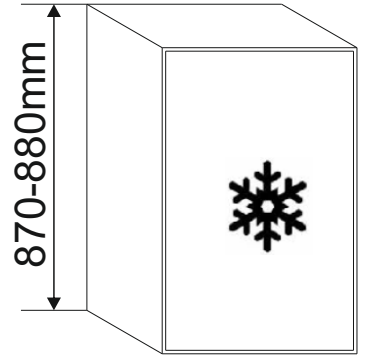
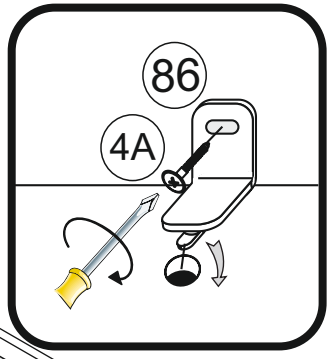
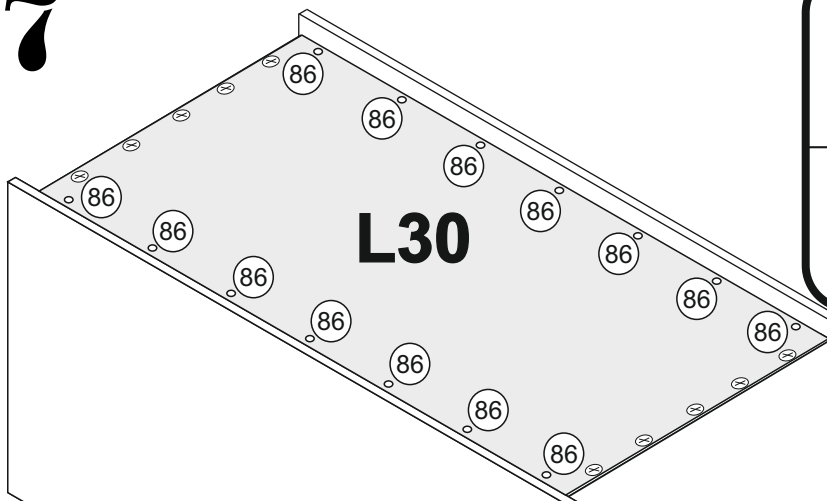
6

L30 1060x566mm



7

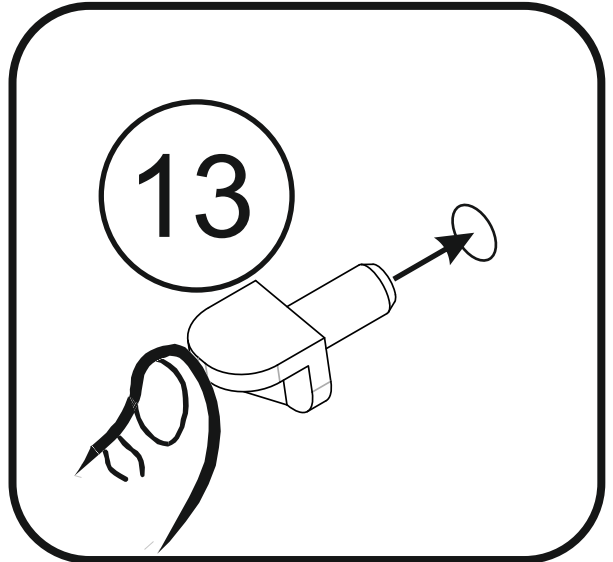
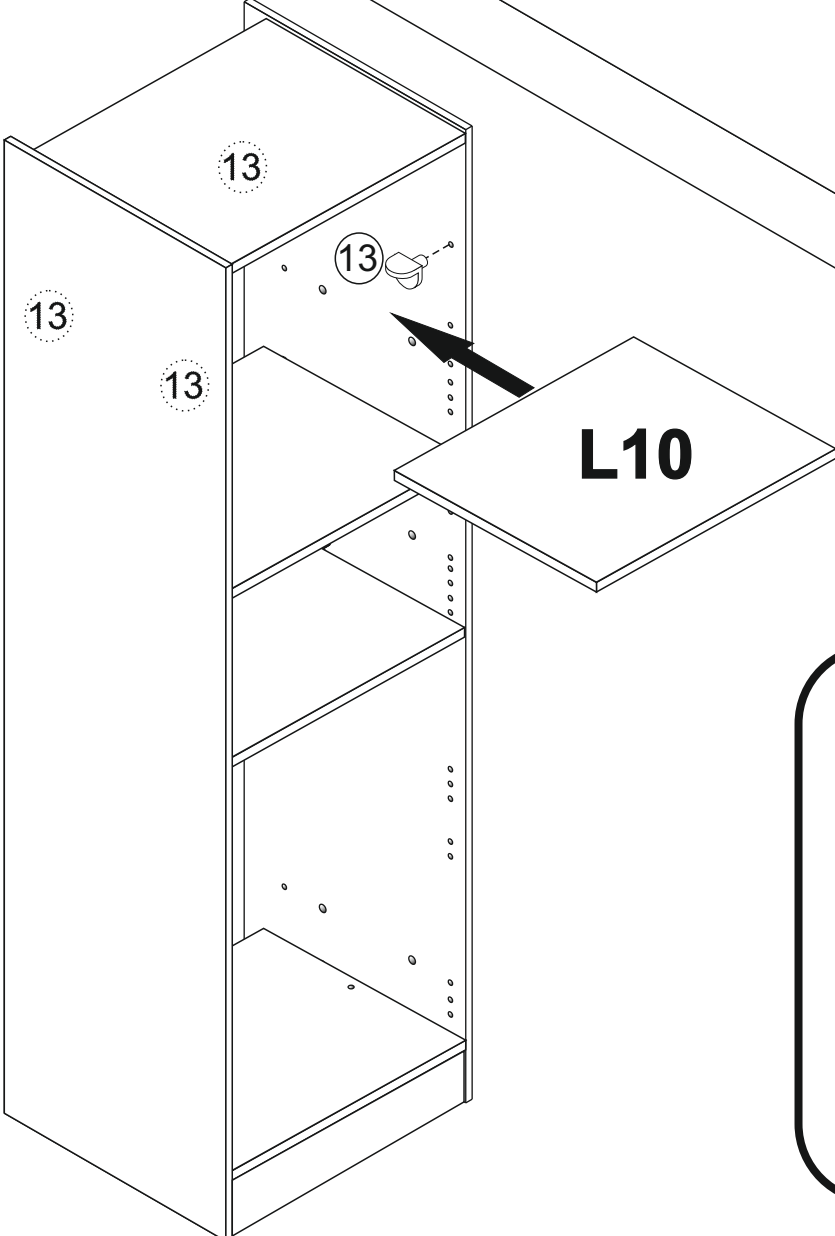
OPTION 1



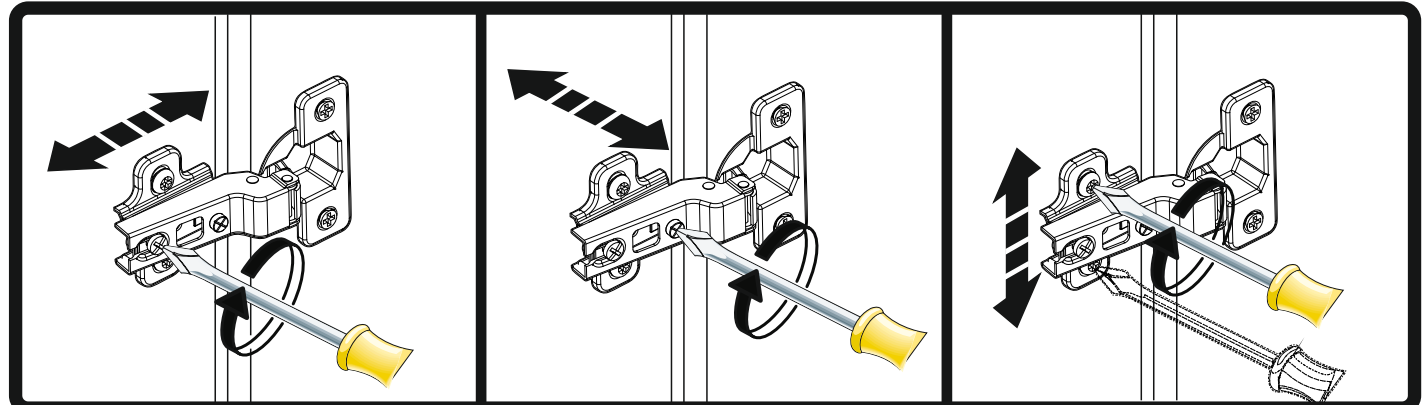
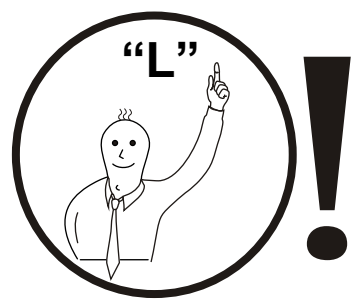
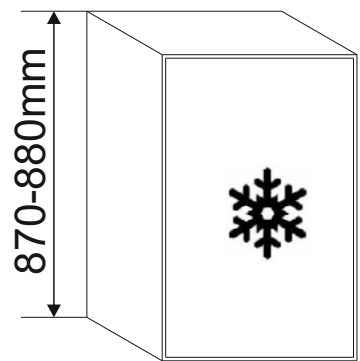
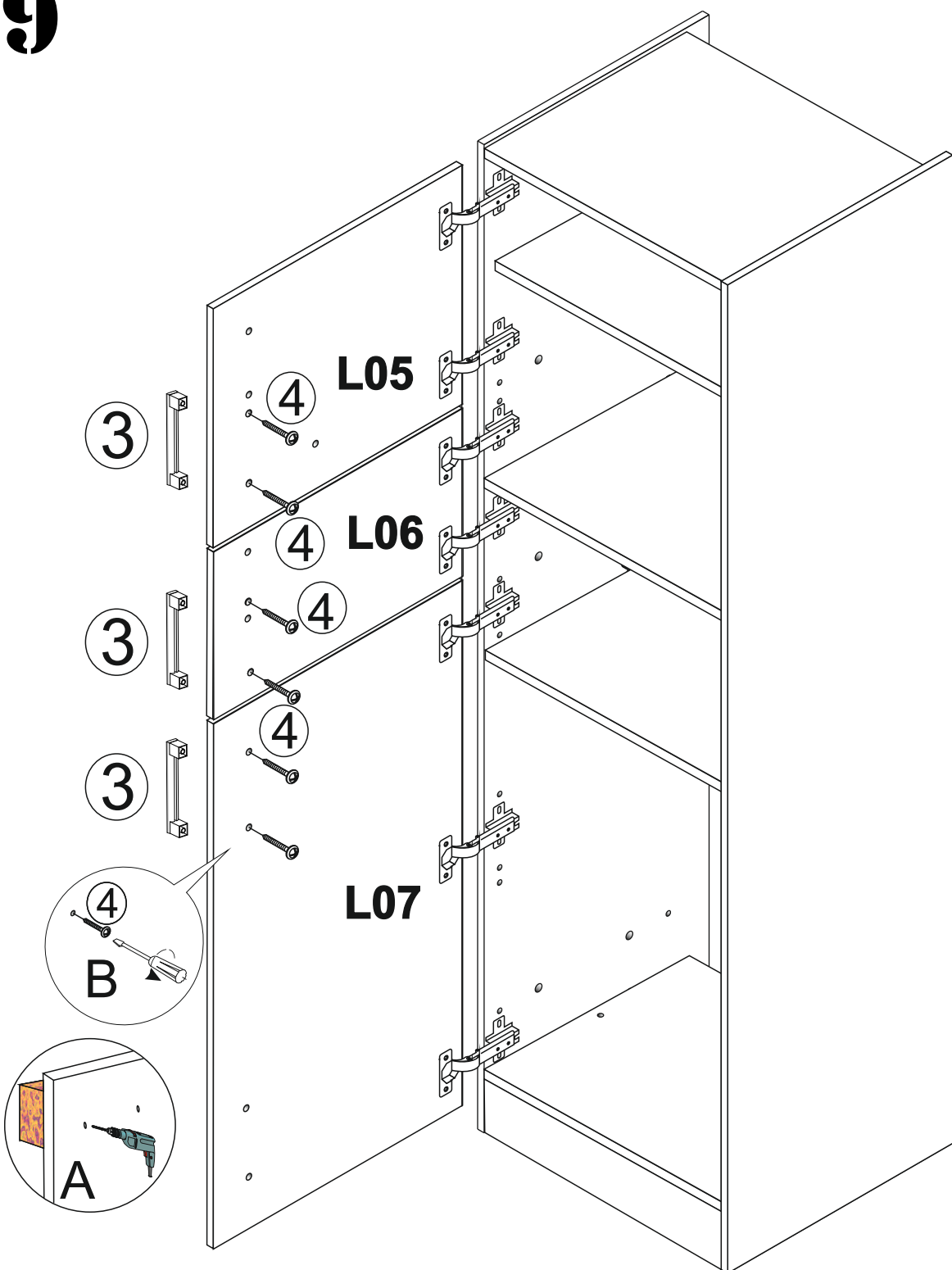
8

L04

L08

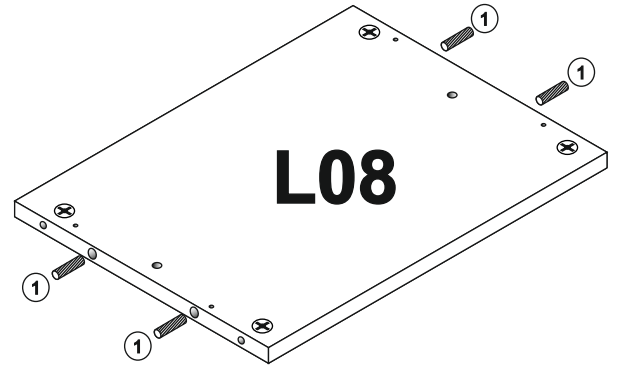
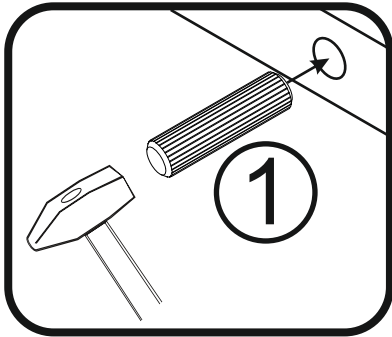
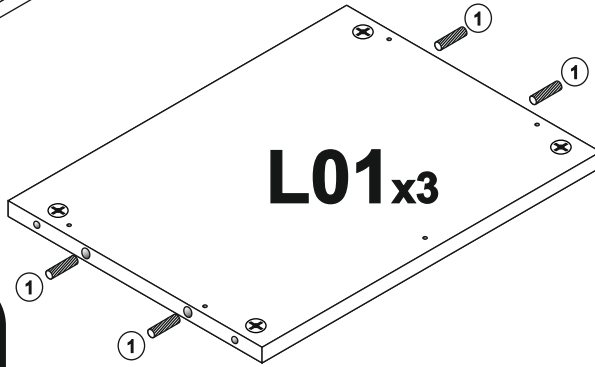
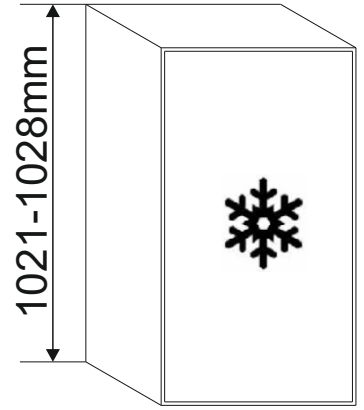
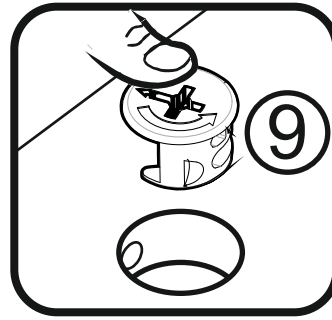
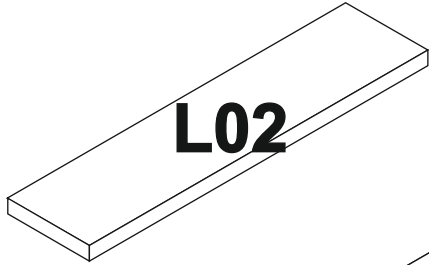


L10 567x500mm

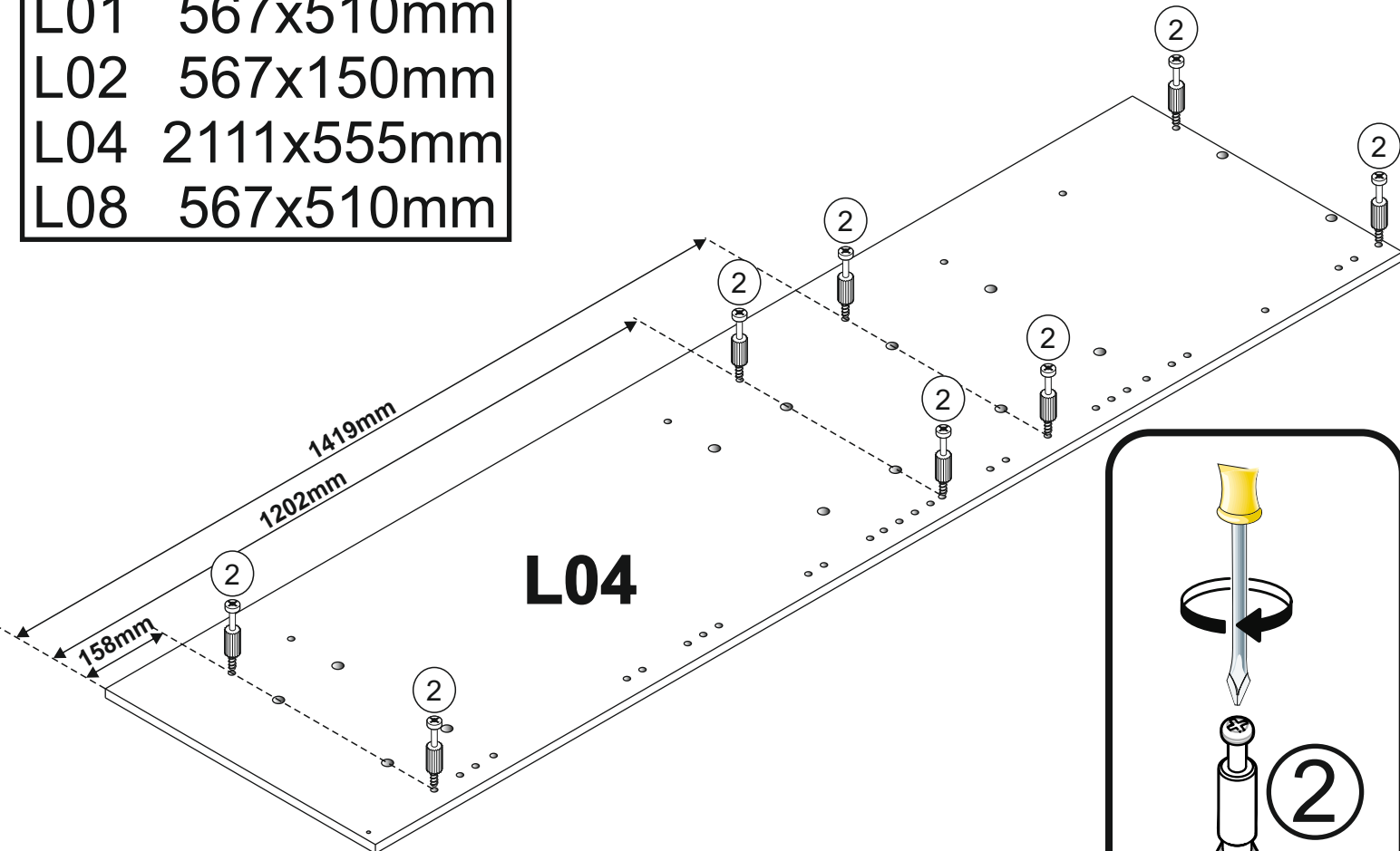


1

OPTION 2

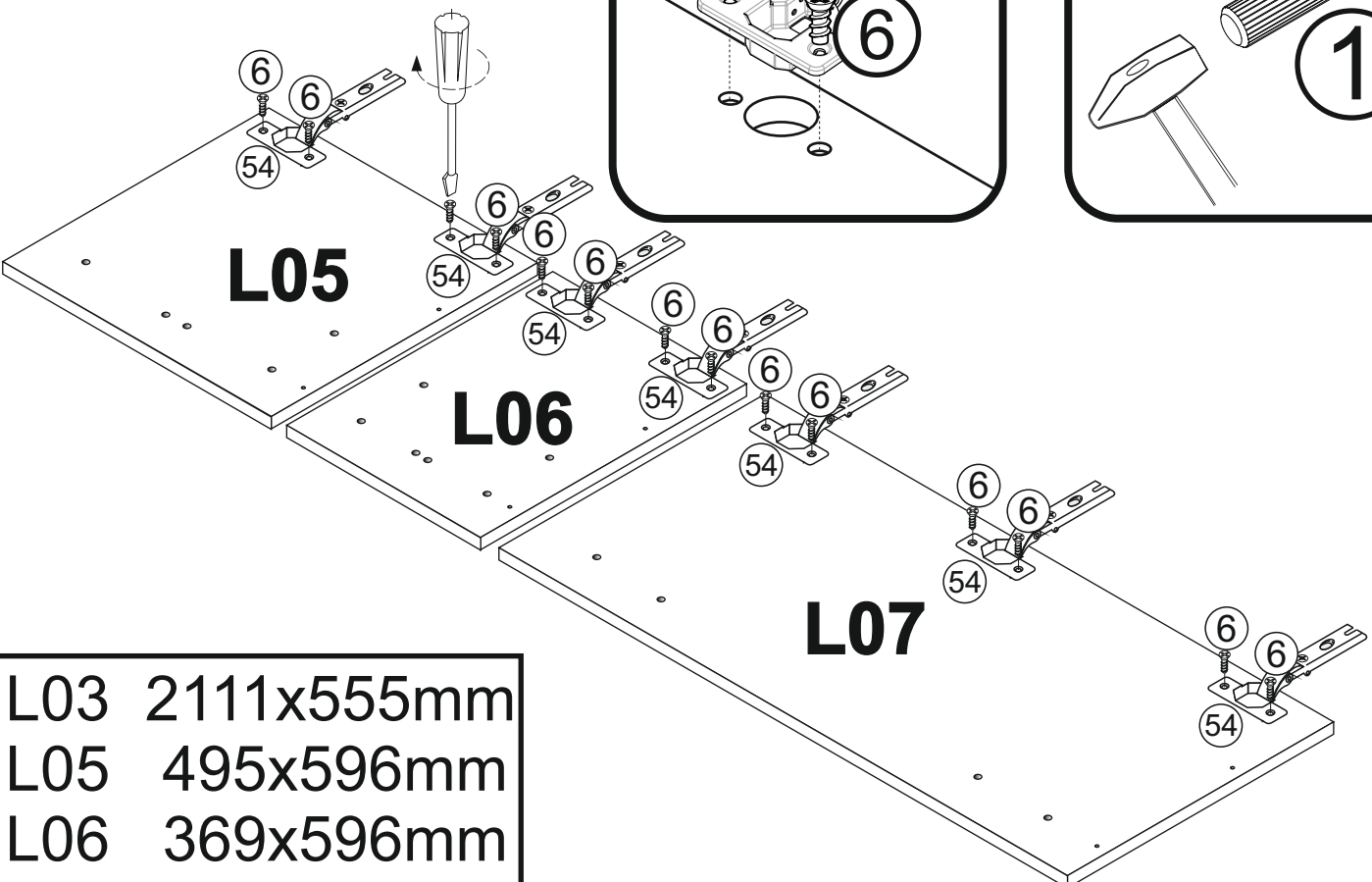
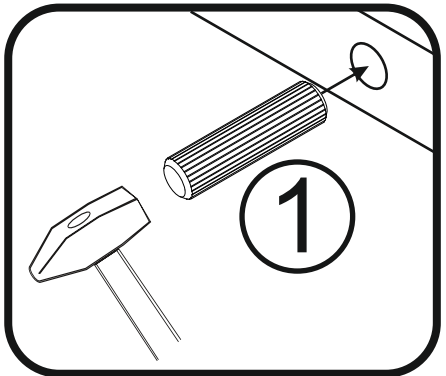
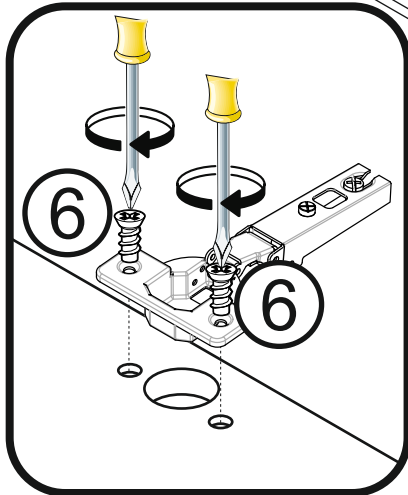
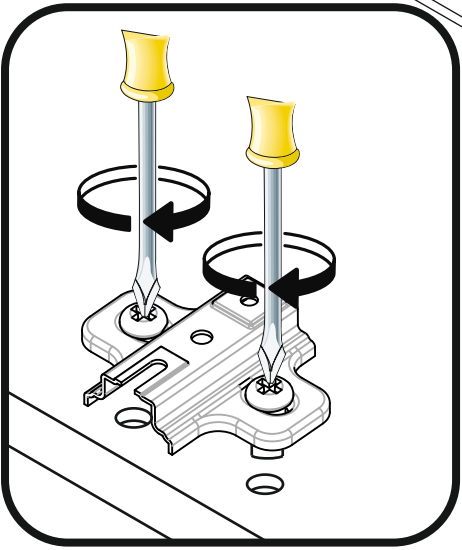
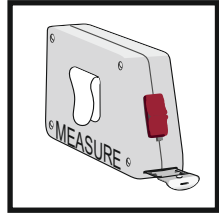
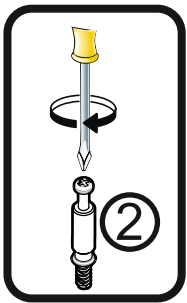
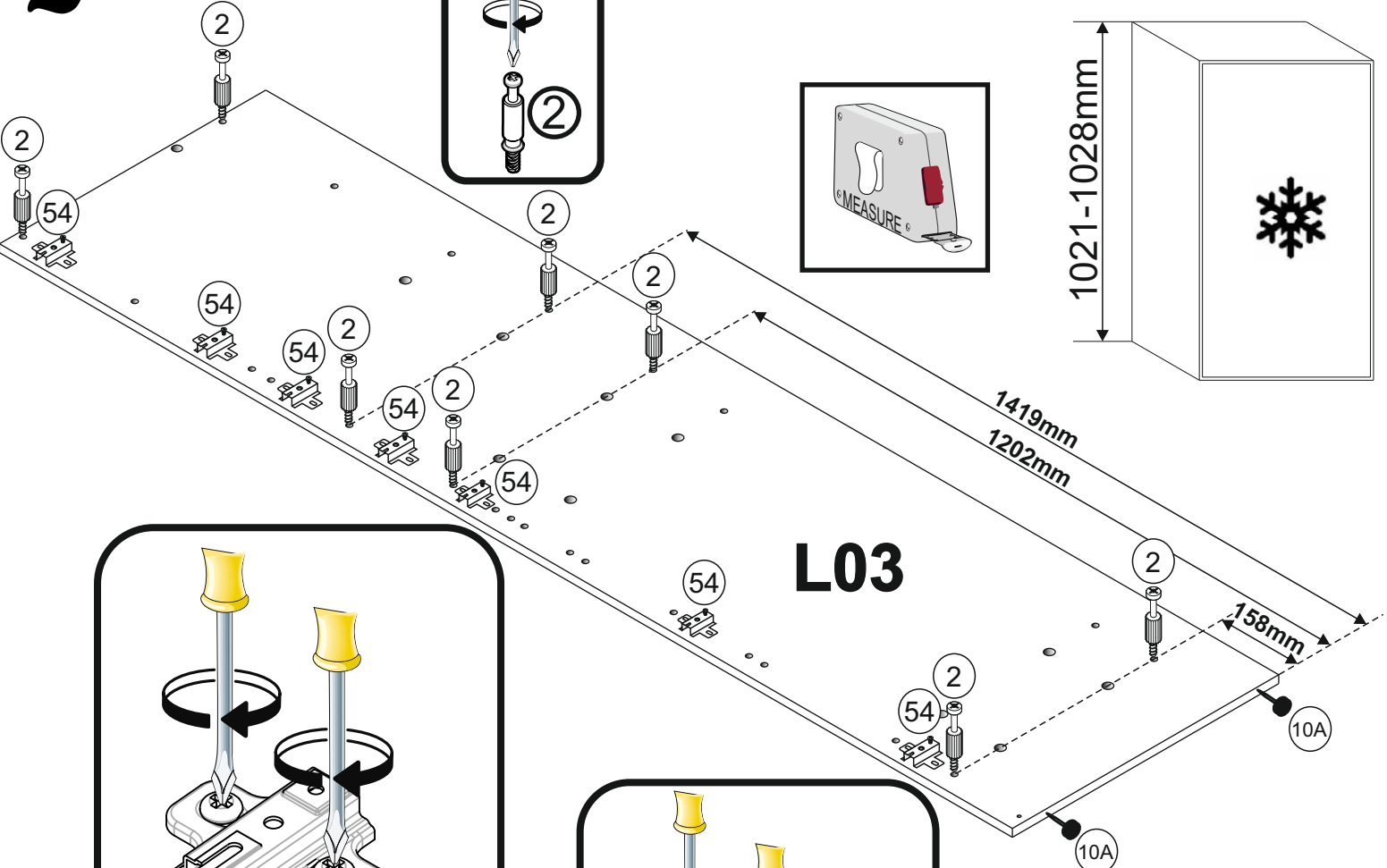
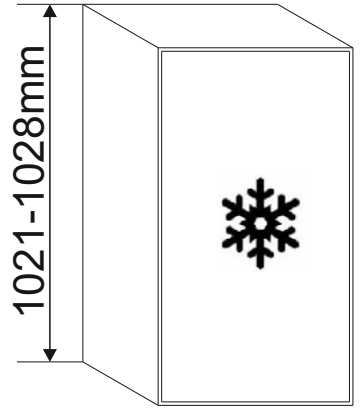


L01	567x510mm
L02	567x150mm
L04	2111x555mm
L08	567x510mm



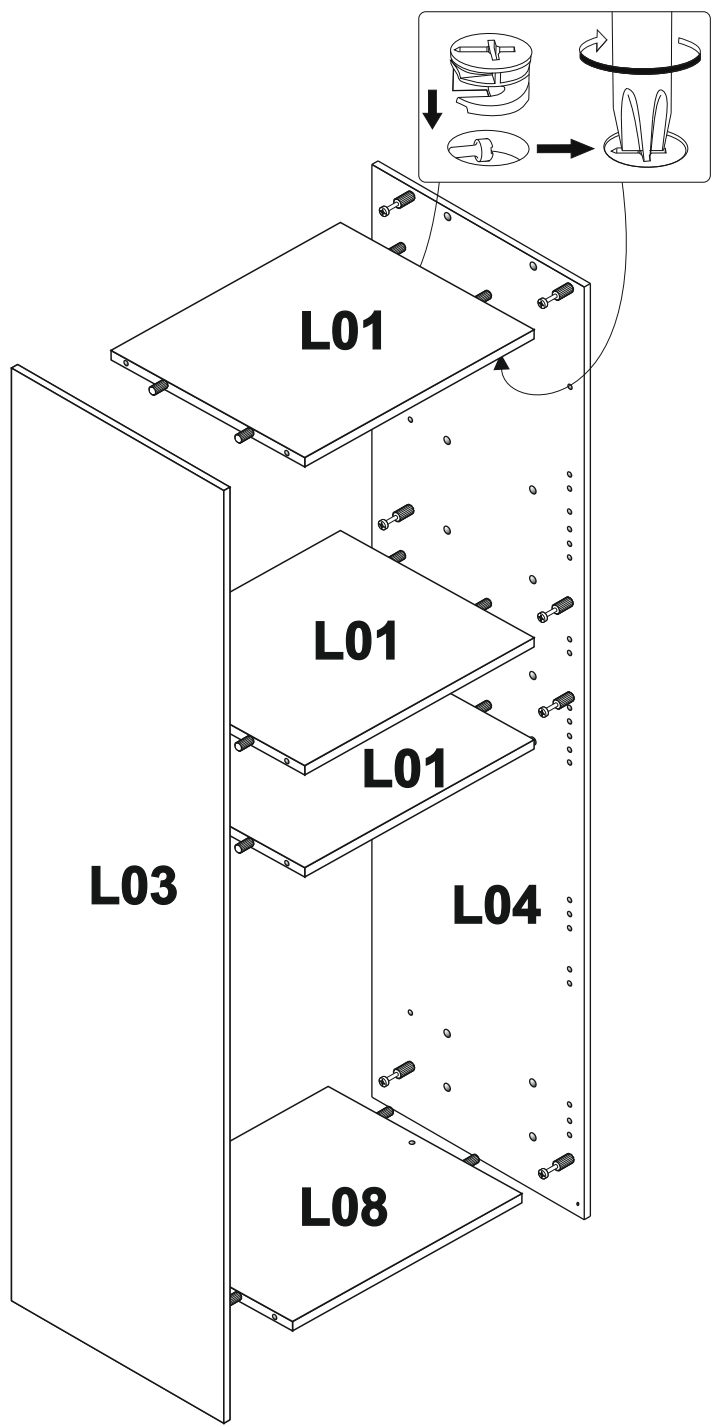
2

OPTION 2

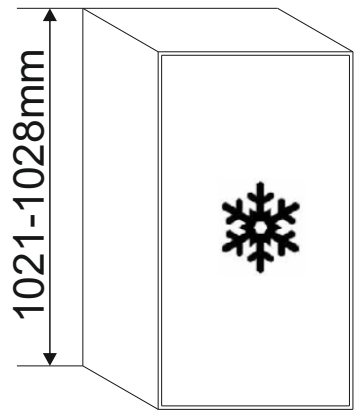


L03	2111x555mm
L05	495x596mm
L06	369x596mm
L07	1086x596mm

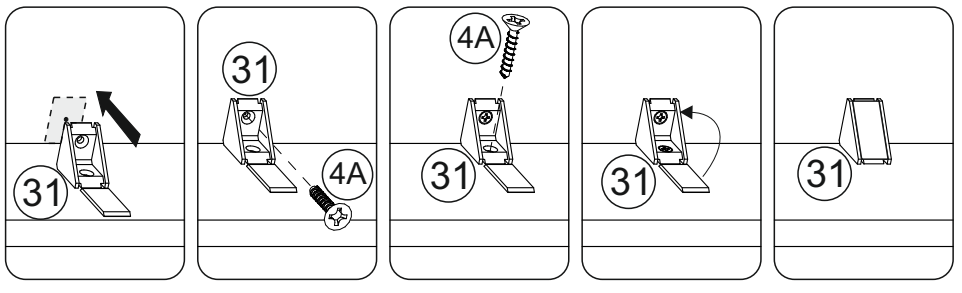
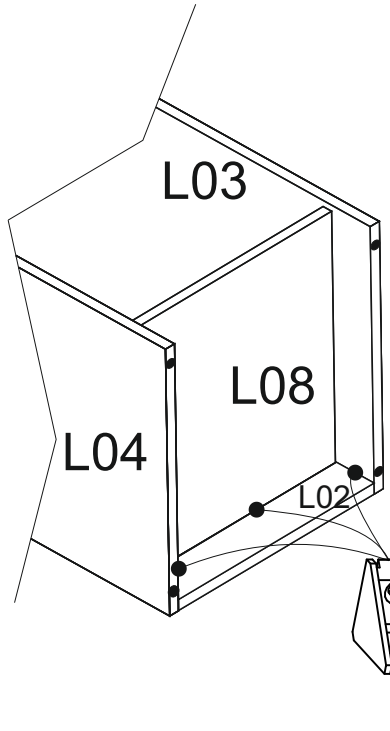
3



OPTION 2



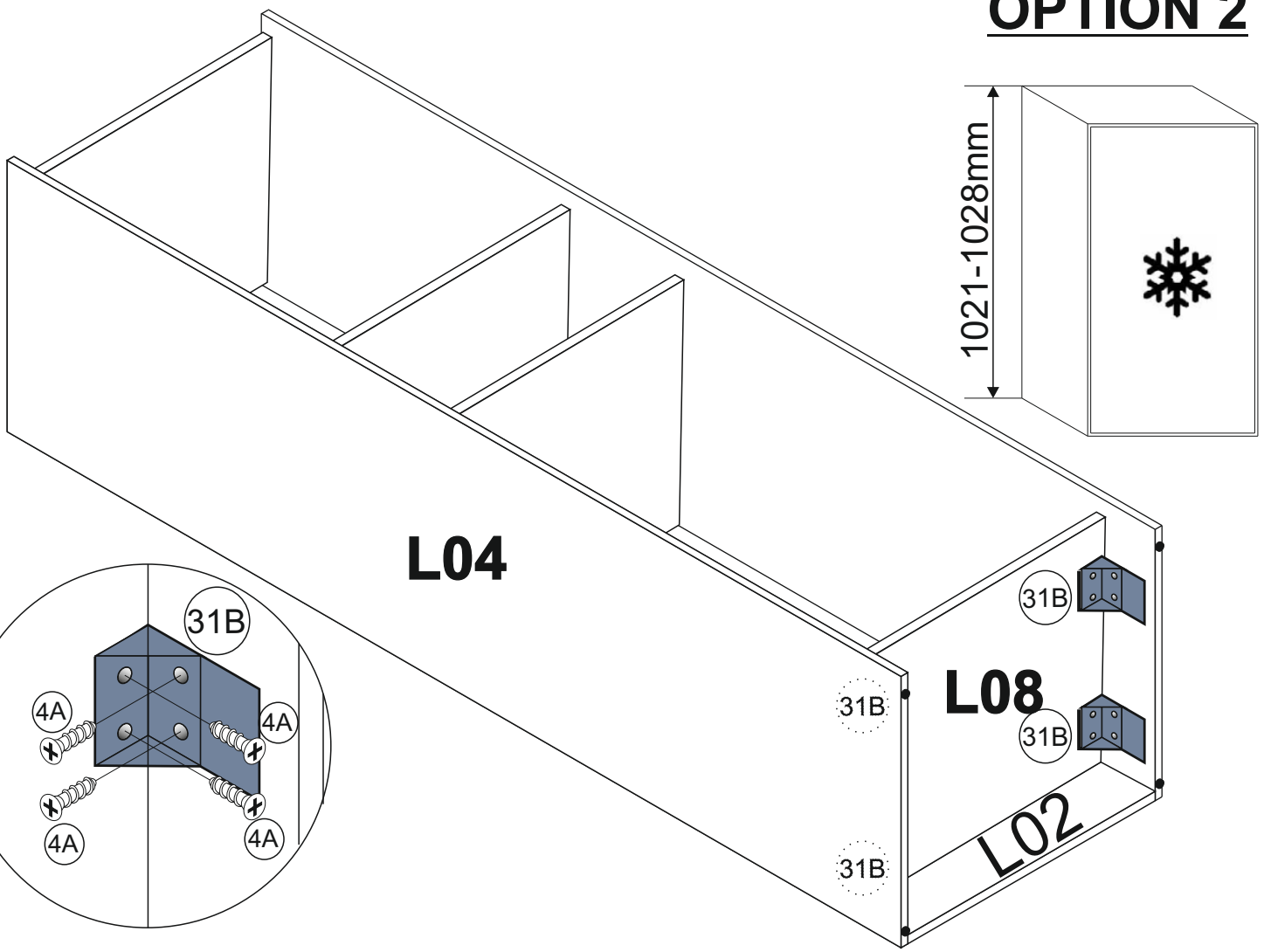
4



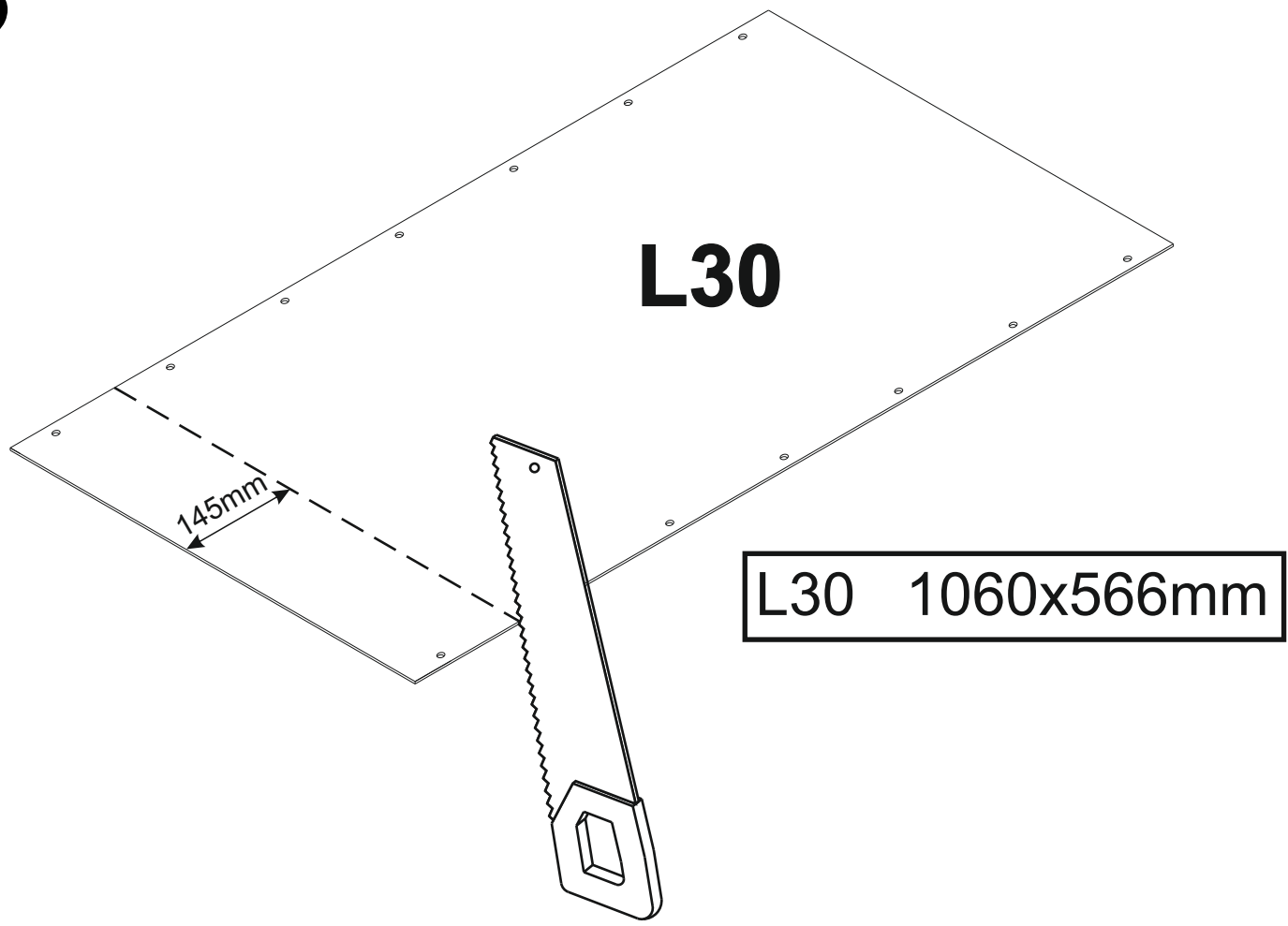
31 x3

5

OPTION 2

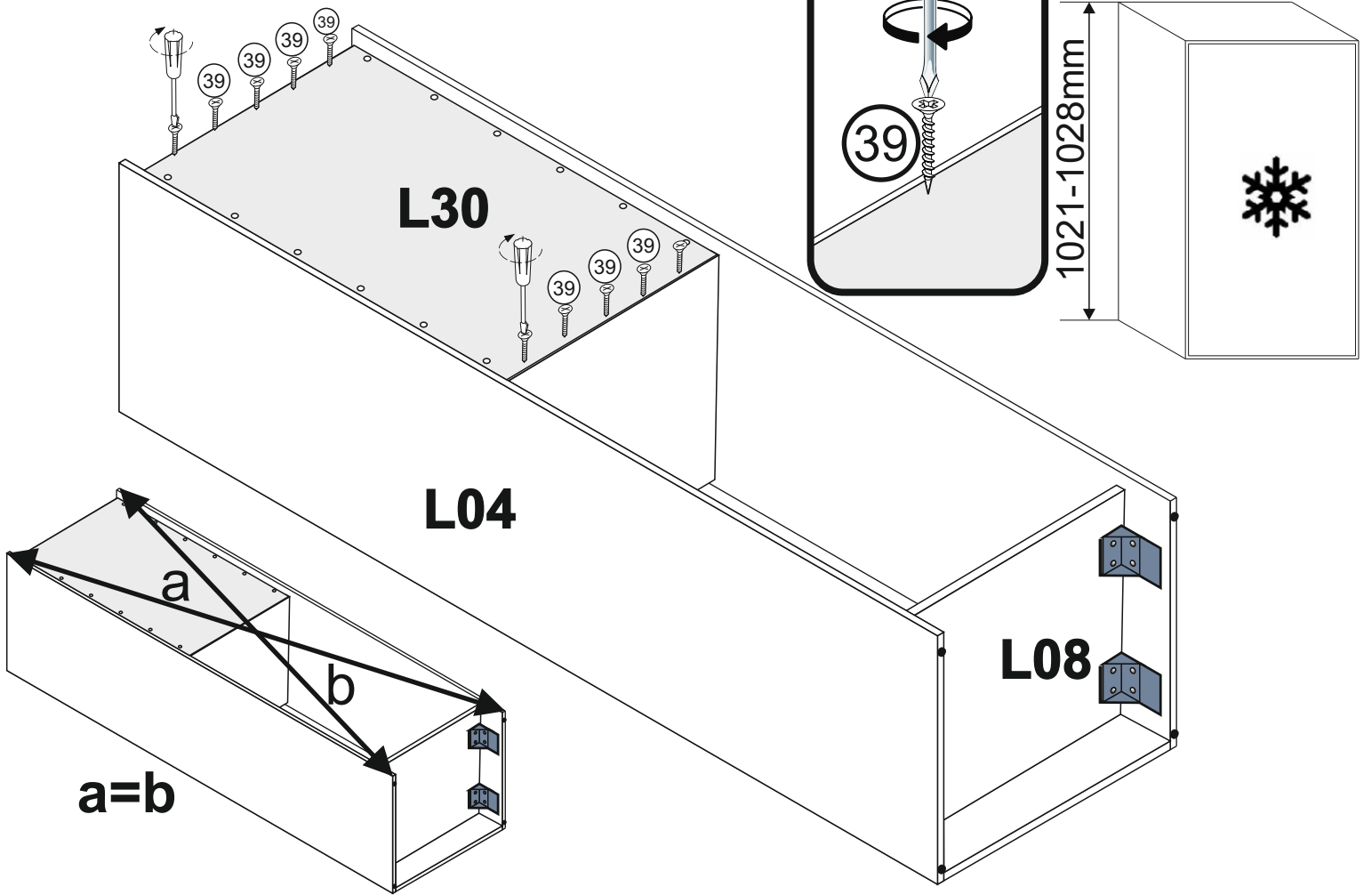


6

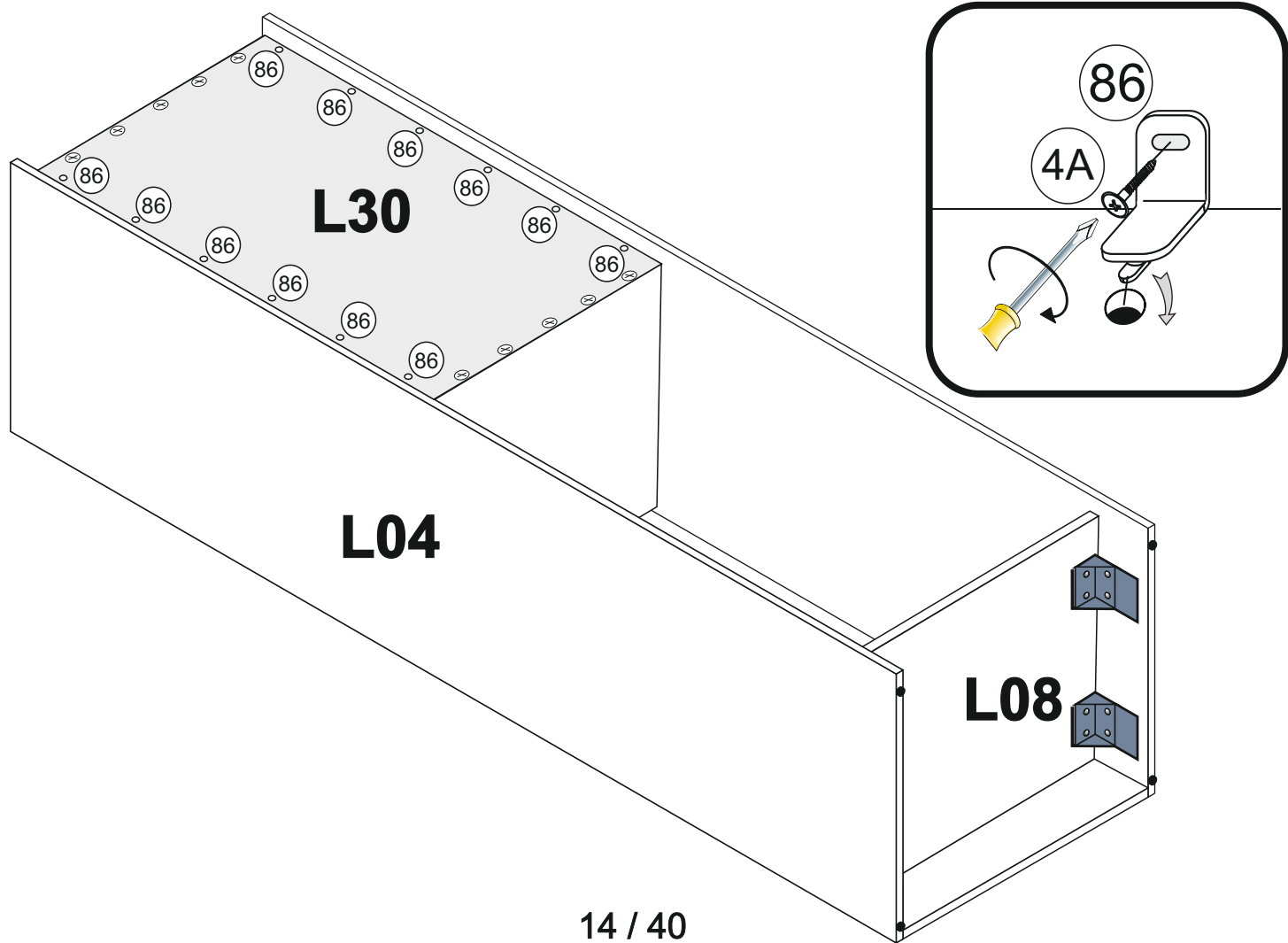


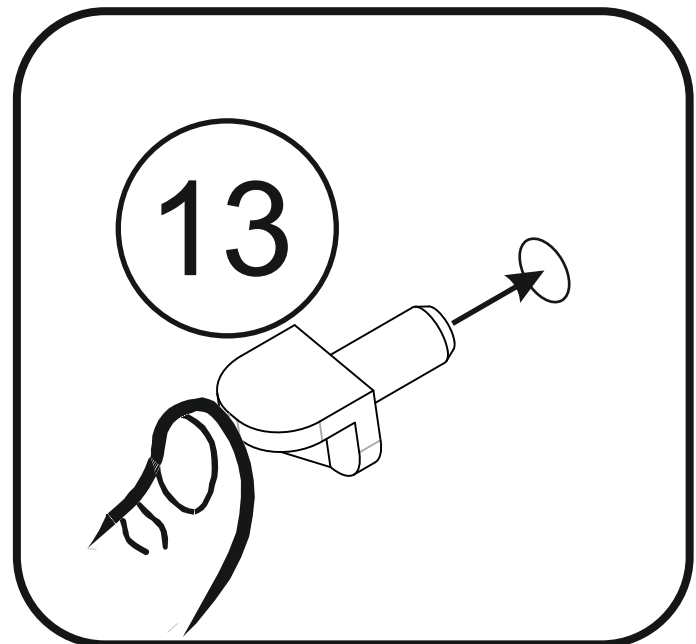
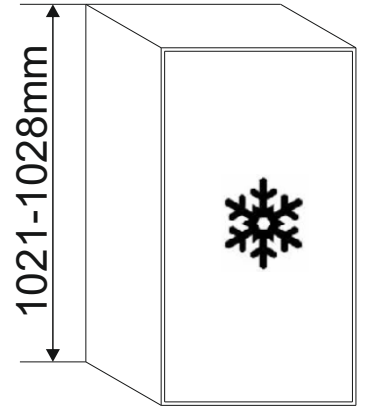
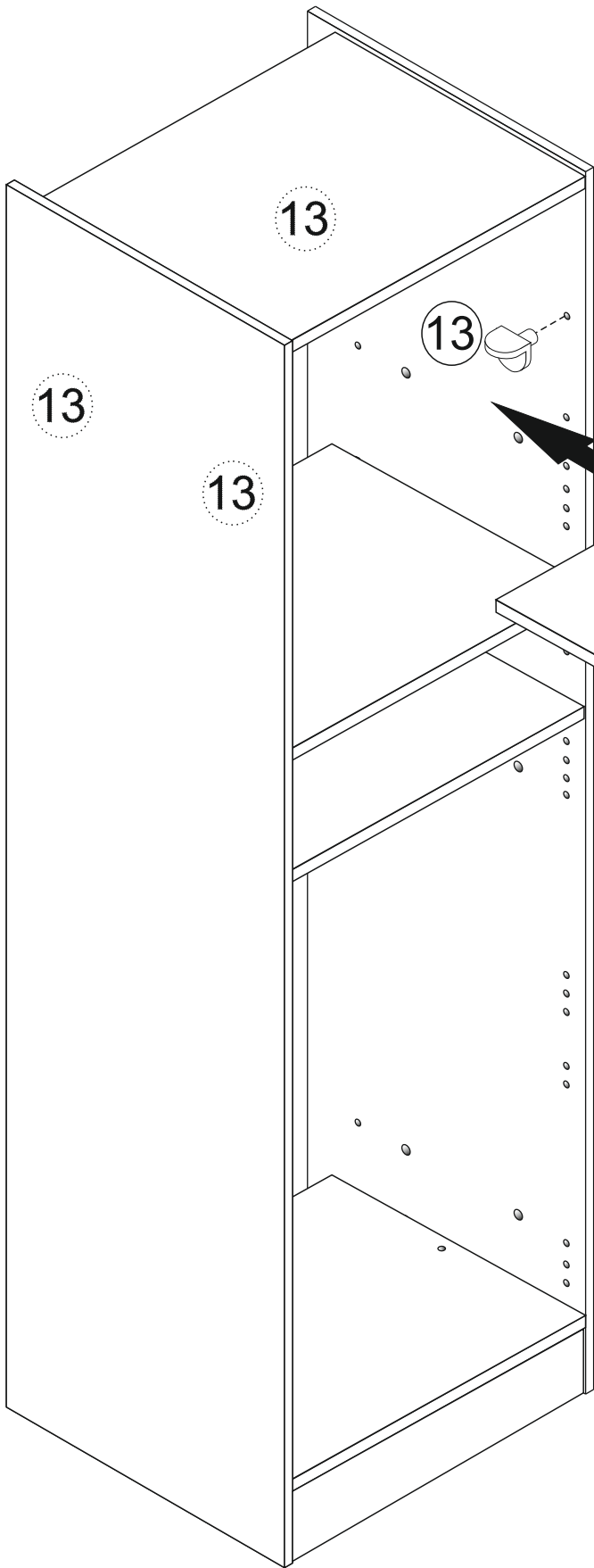
7

OPTION 2

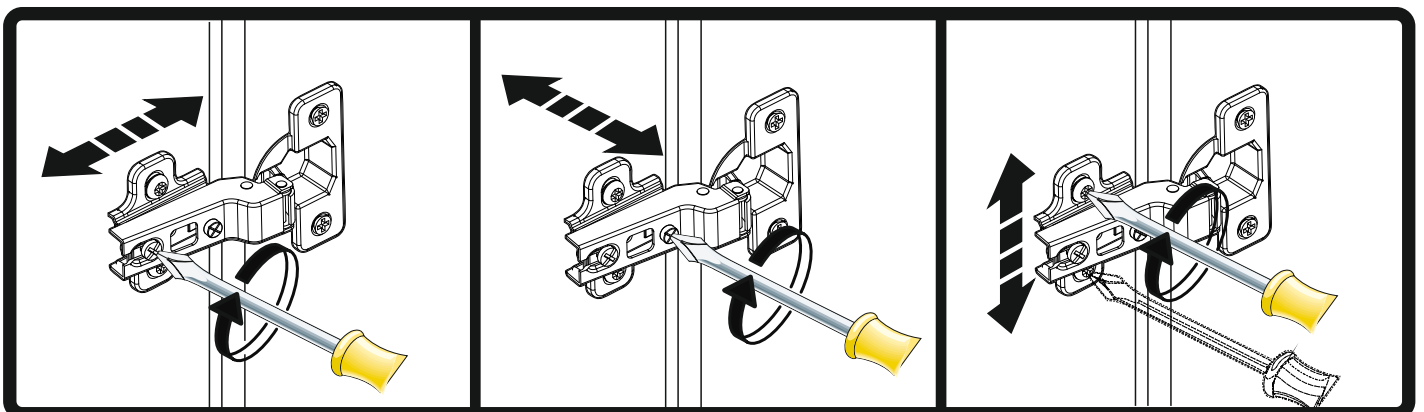
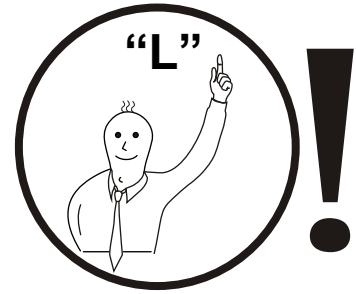
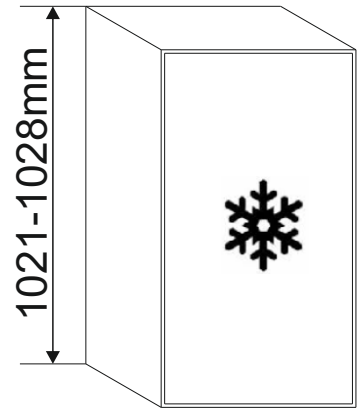
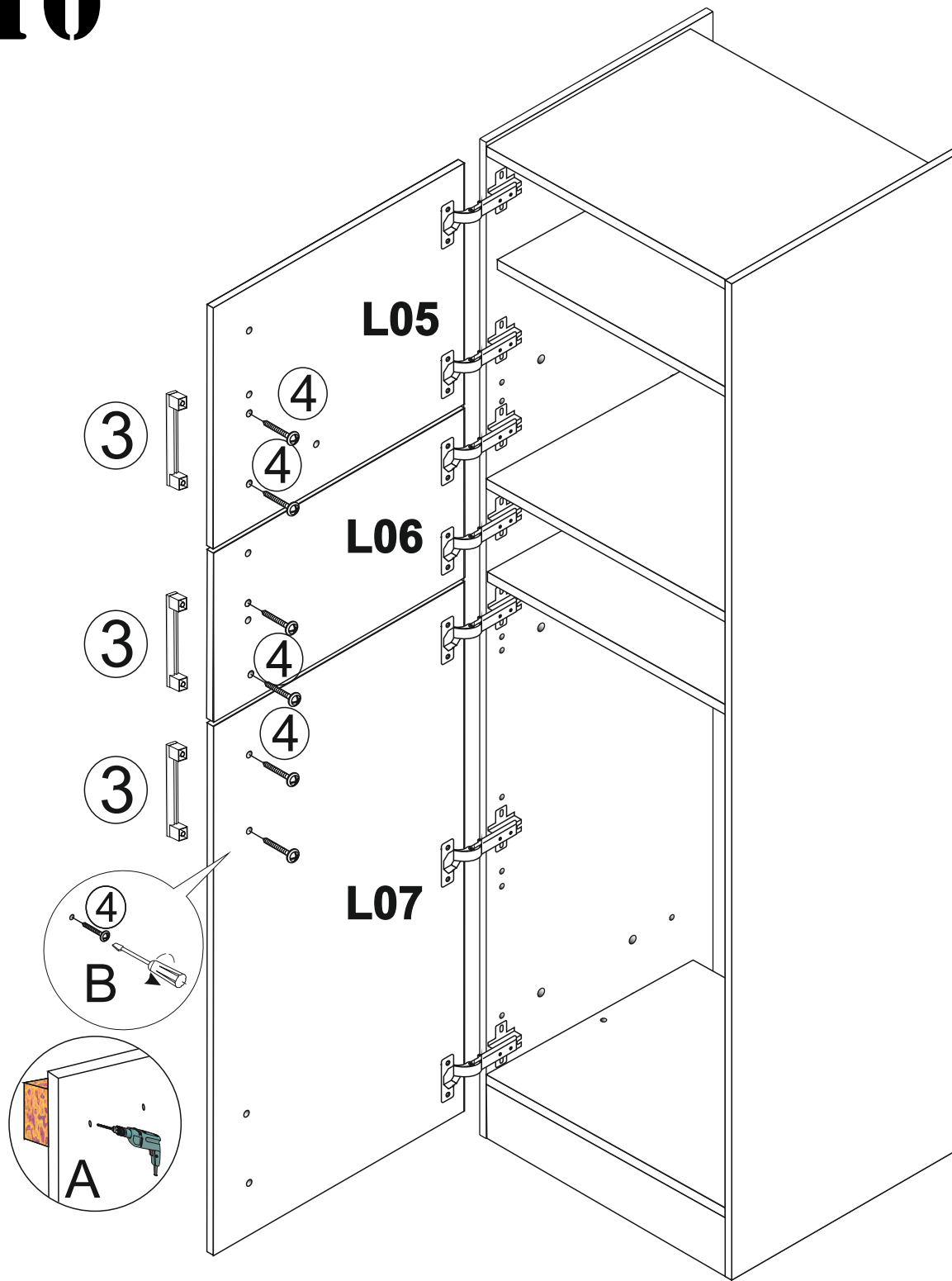


8



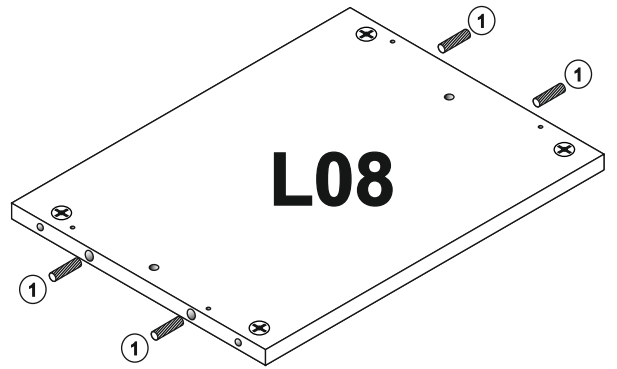
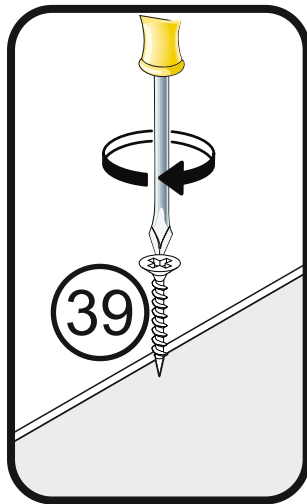
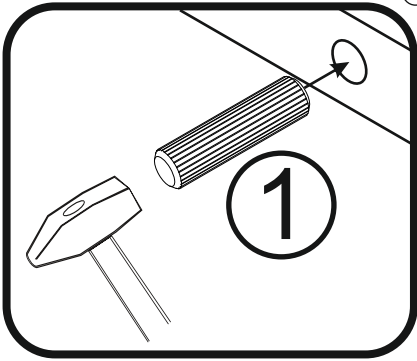
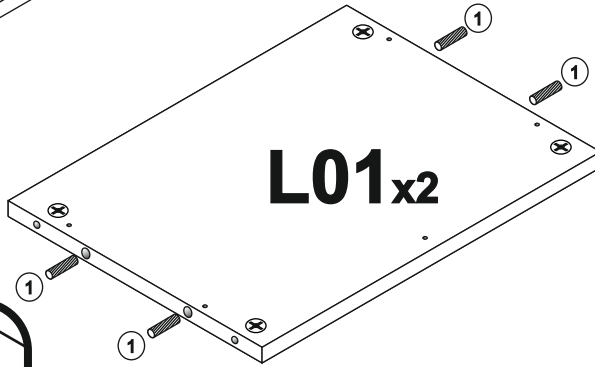
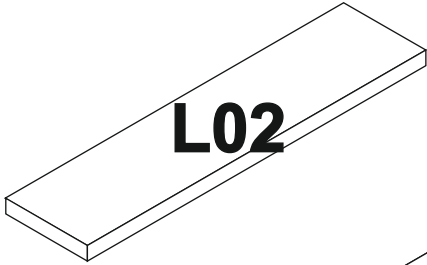
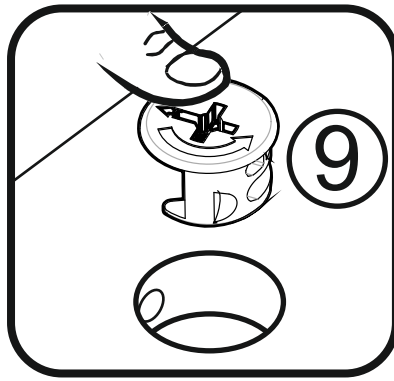
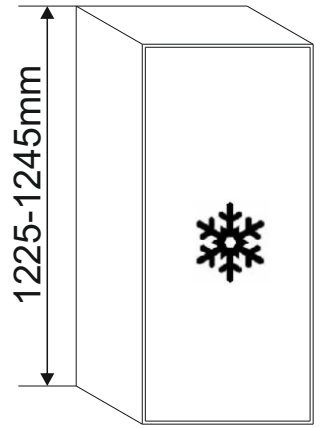


L10 567x500mm

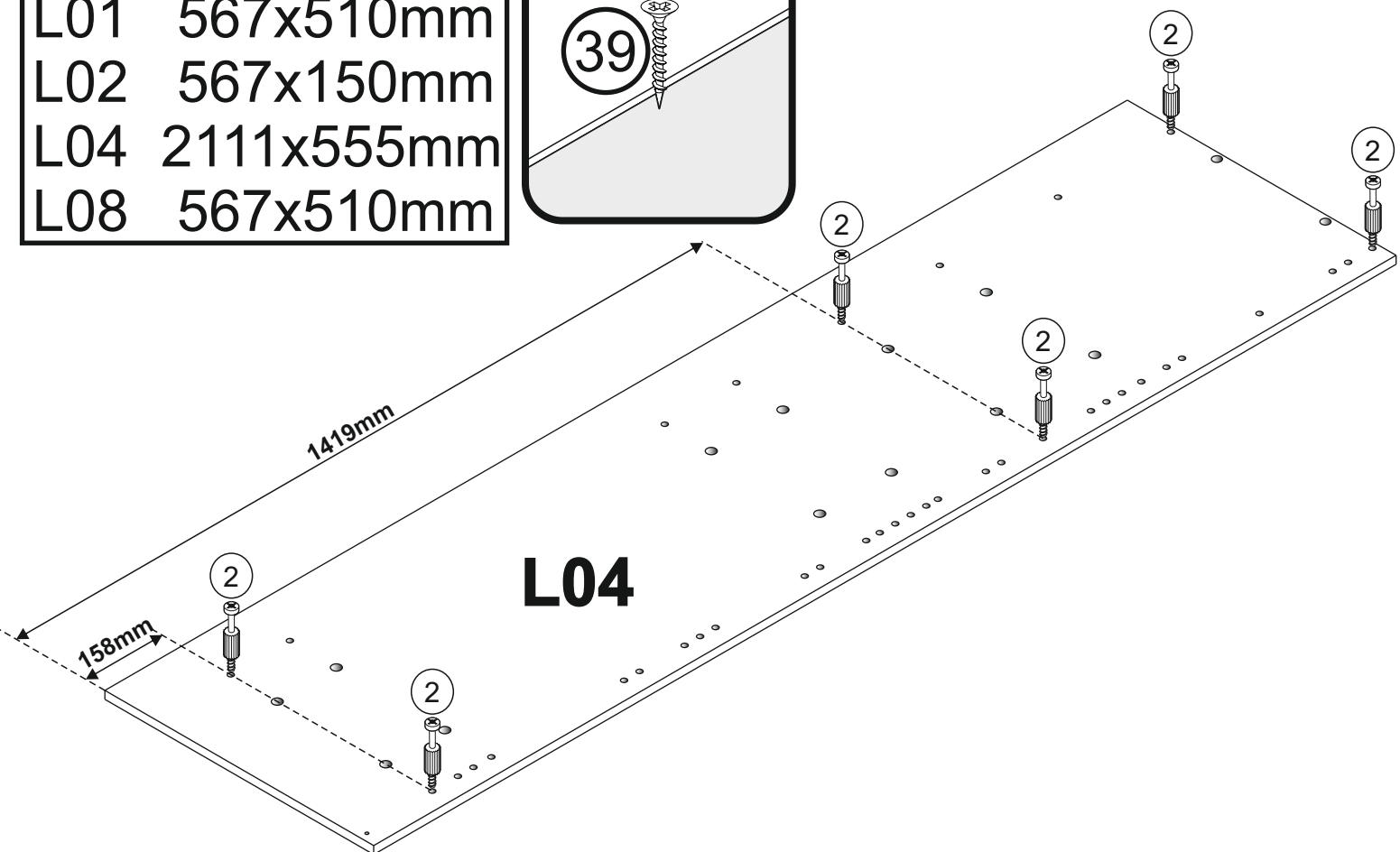


1

OPTION 3

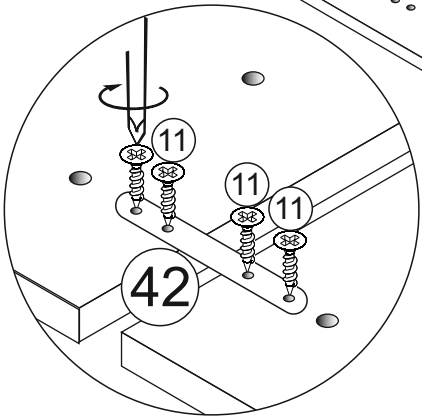
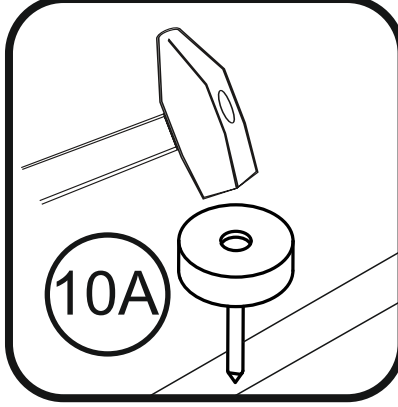
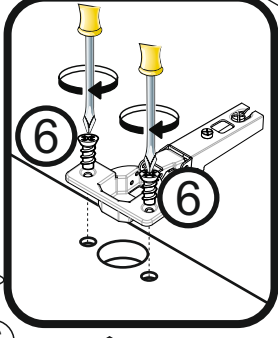
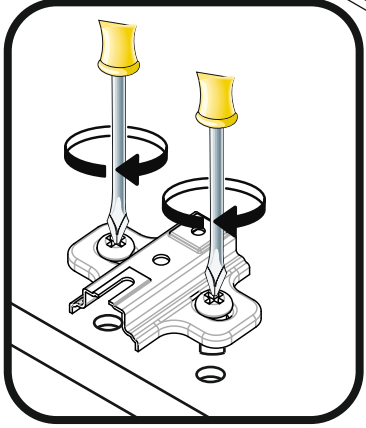
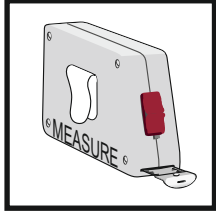
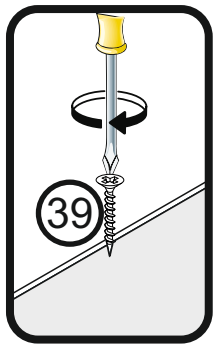
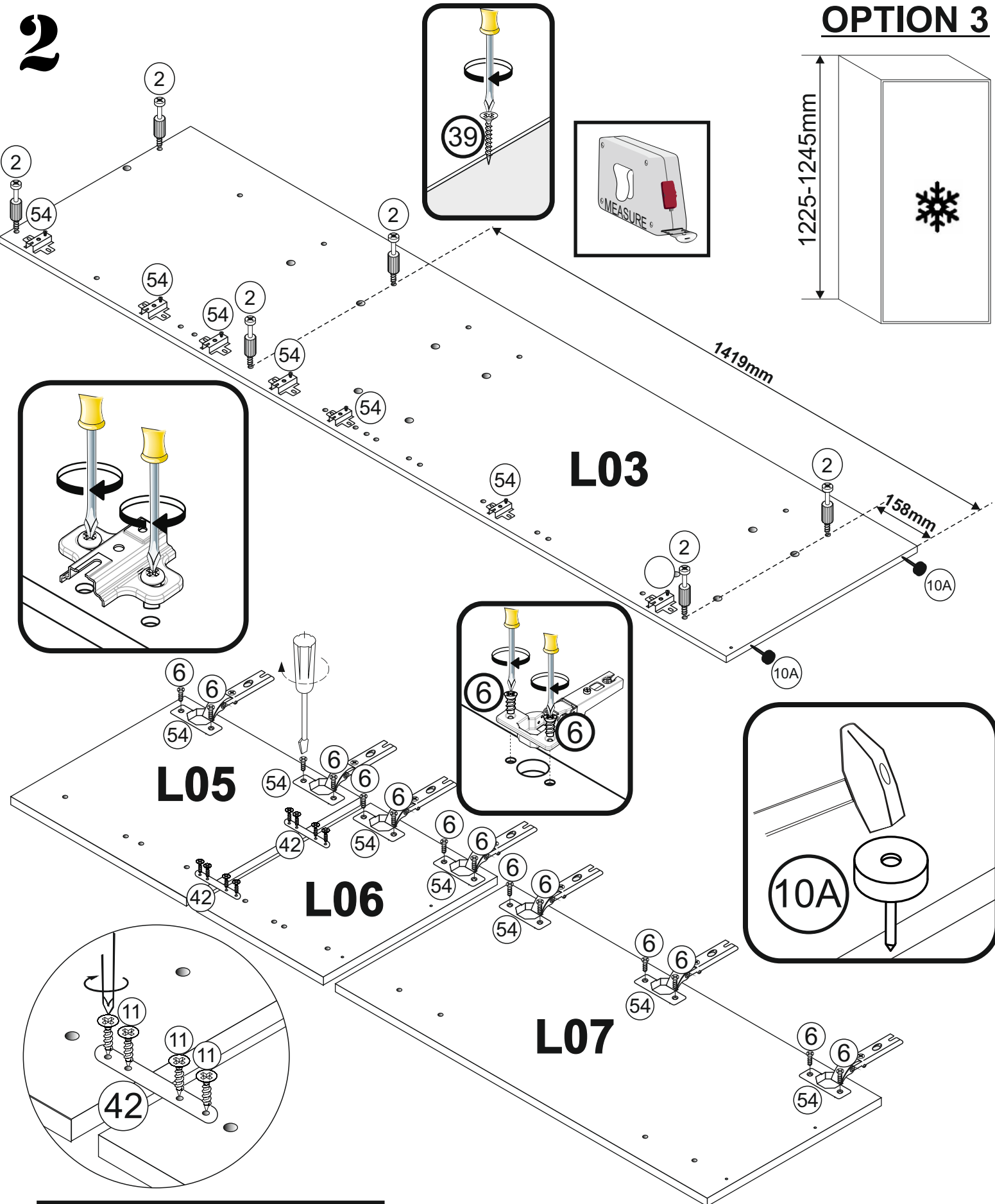


L01	567x510mm
L02	567x150mm
L04	2111x555mm
L08	567x510mm



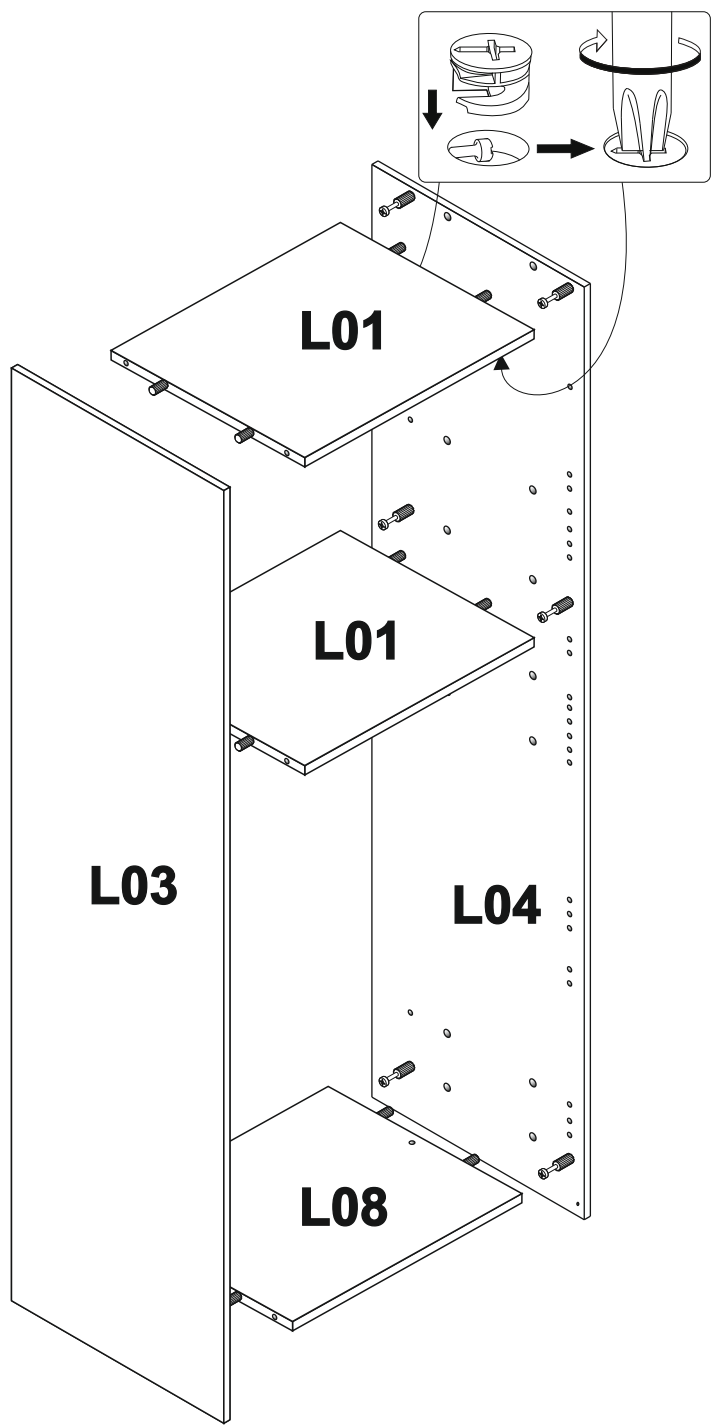
2

OPTION 3

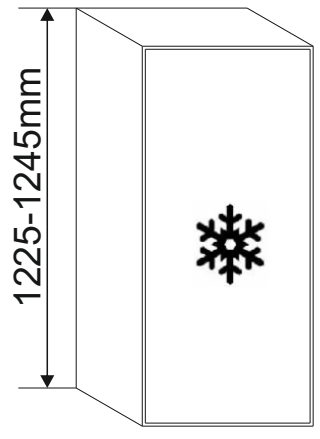


L03	2111x555mm
L05	495x596mm
L06	369x596mm
L07	1086x596mm

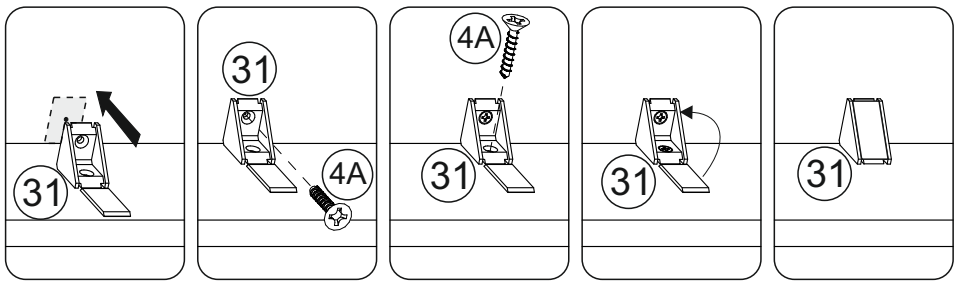
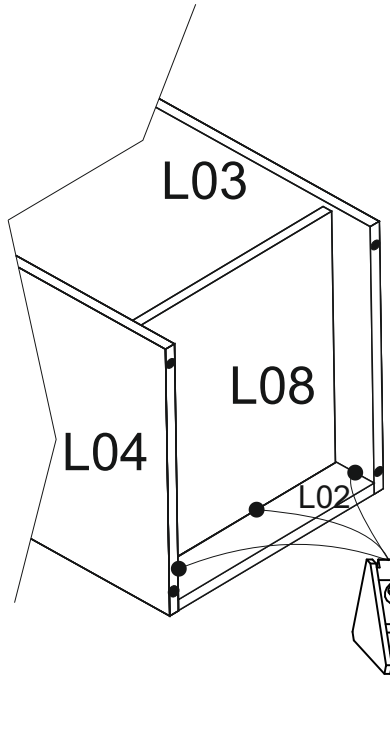
3



OPTION 3



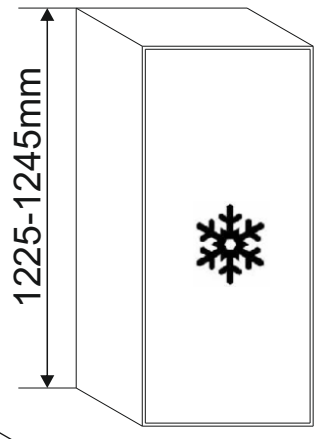
4



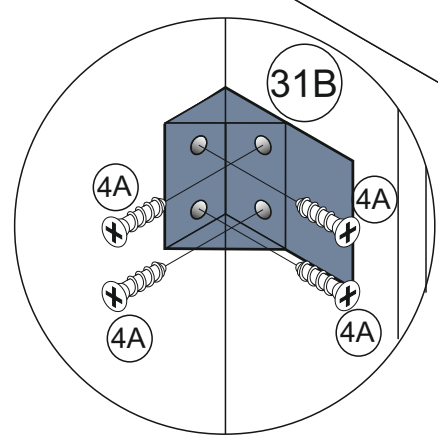
31
x3

5

OPTION 3

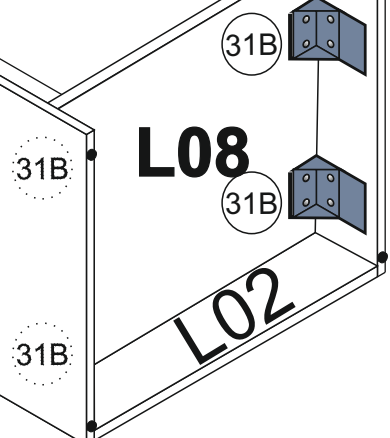


L04



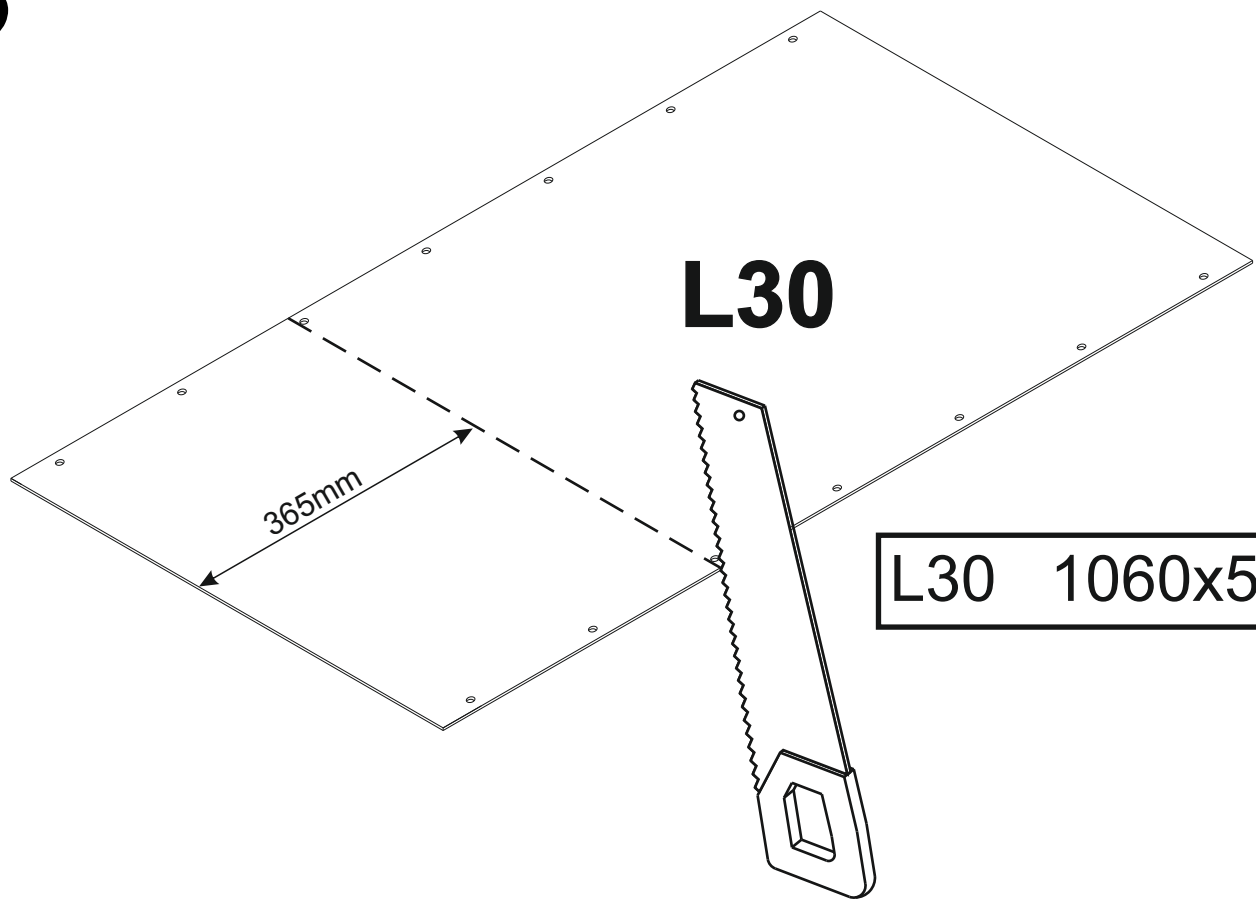
L08

L02



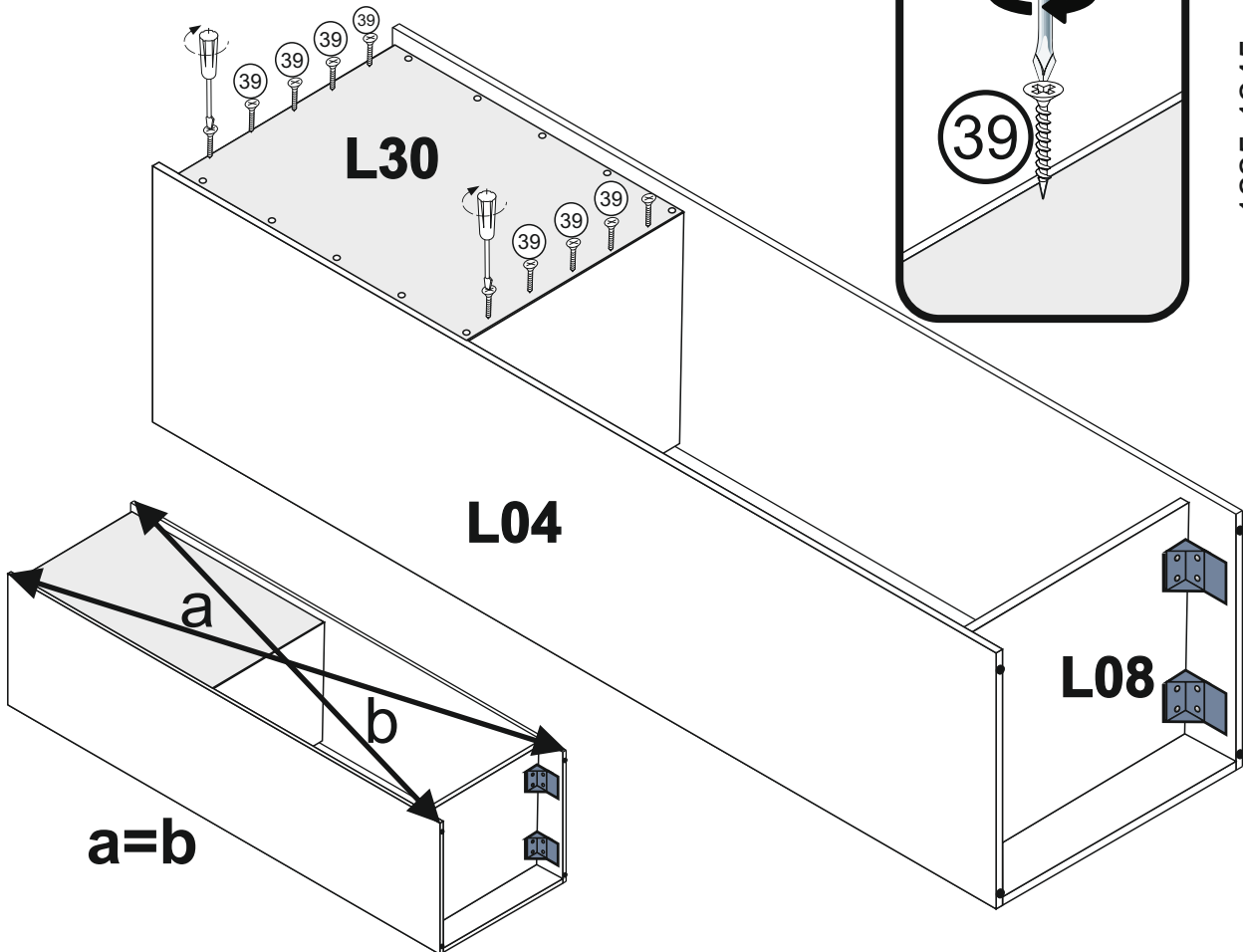
6

L30

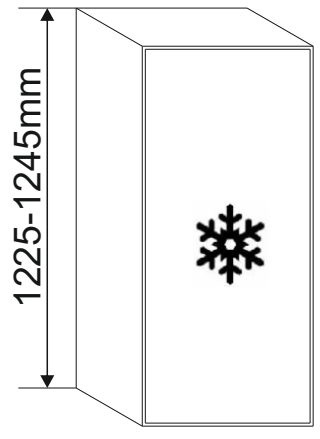


L30 1060x566mm

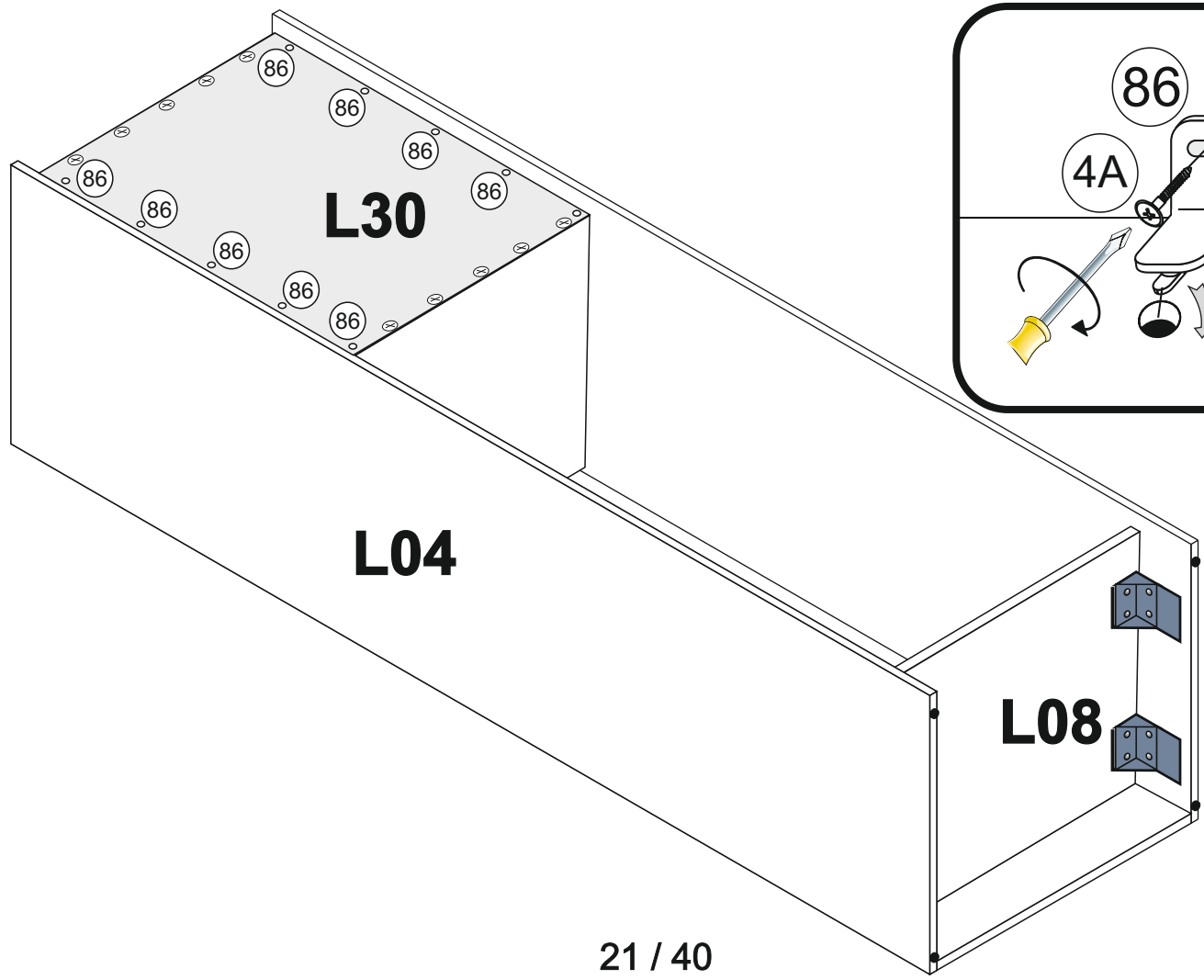
7

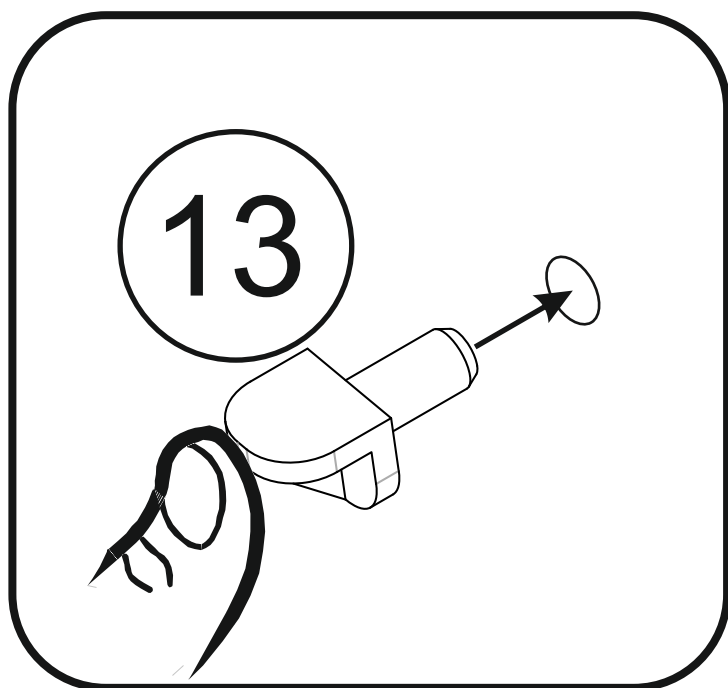
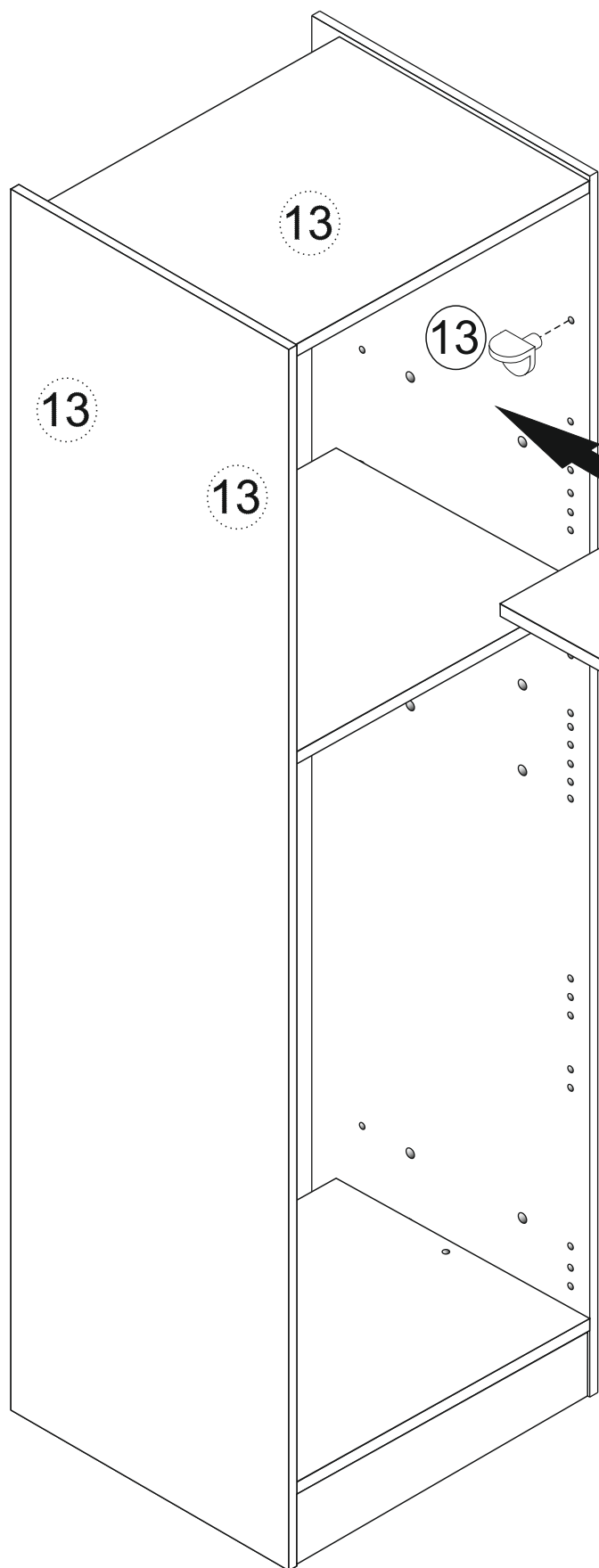
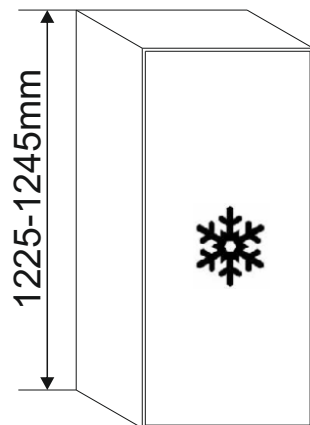


OPTION 3

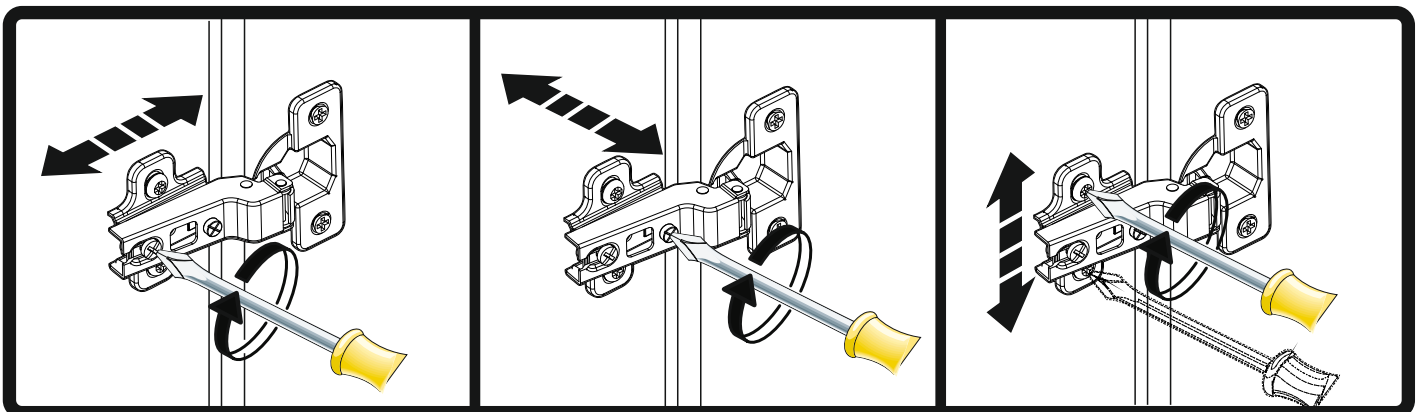
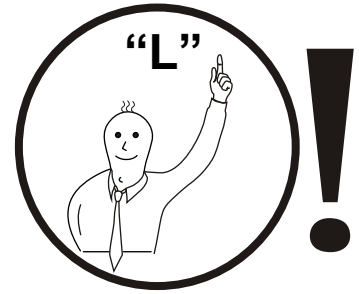
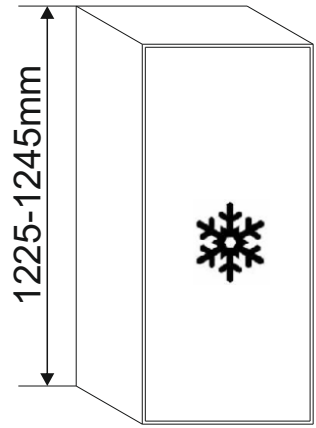
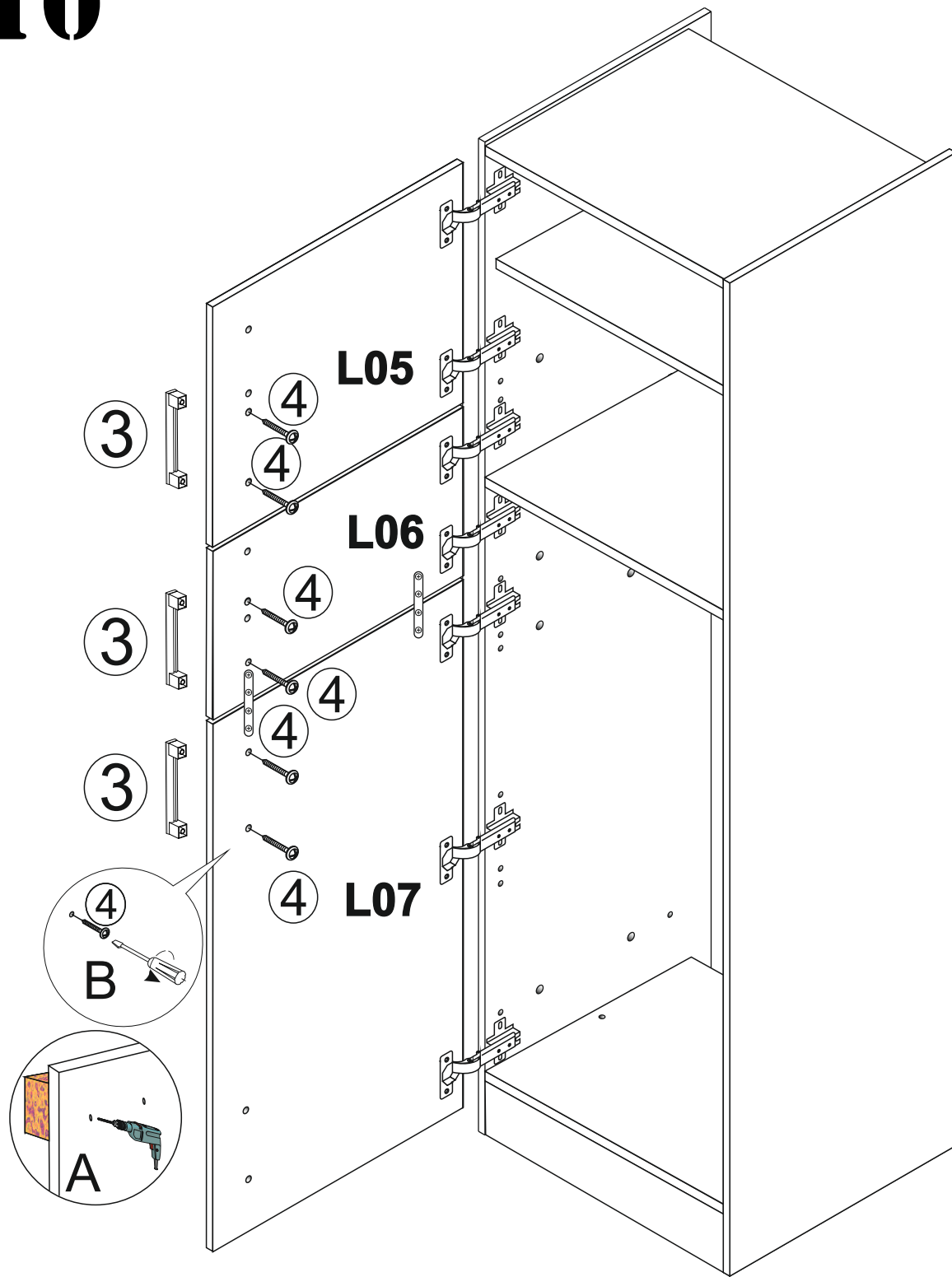


8



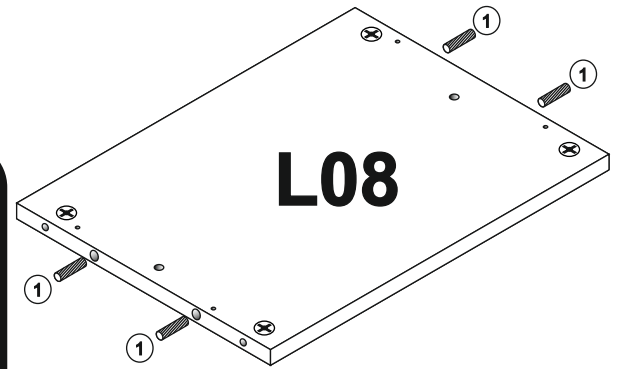
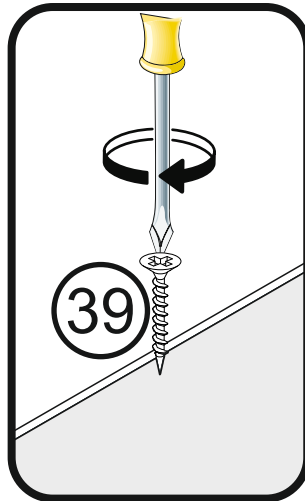
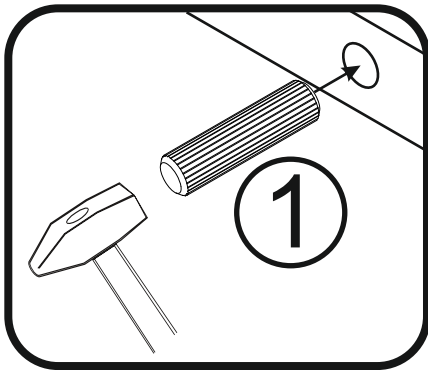
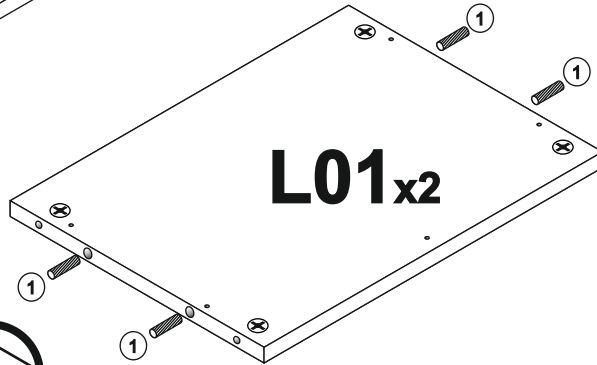
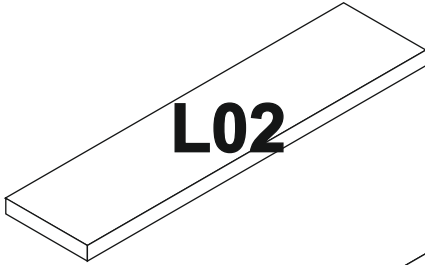
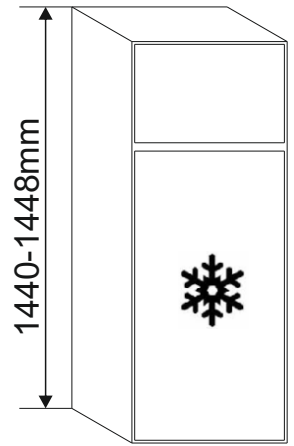
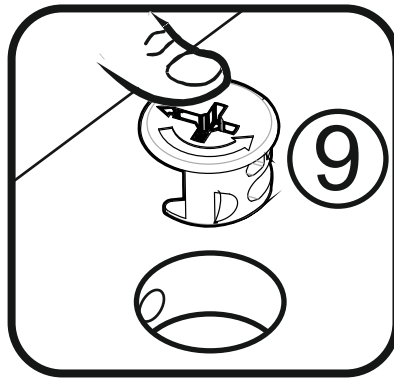


L10 567x500mm

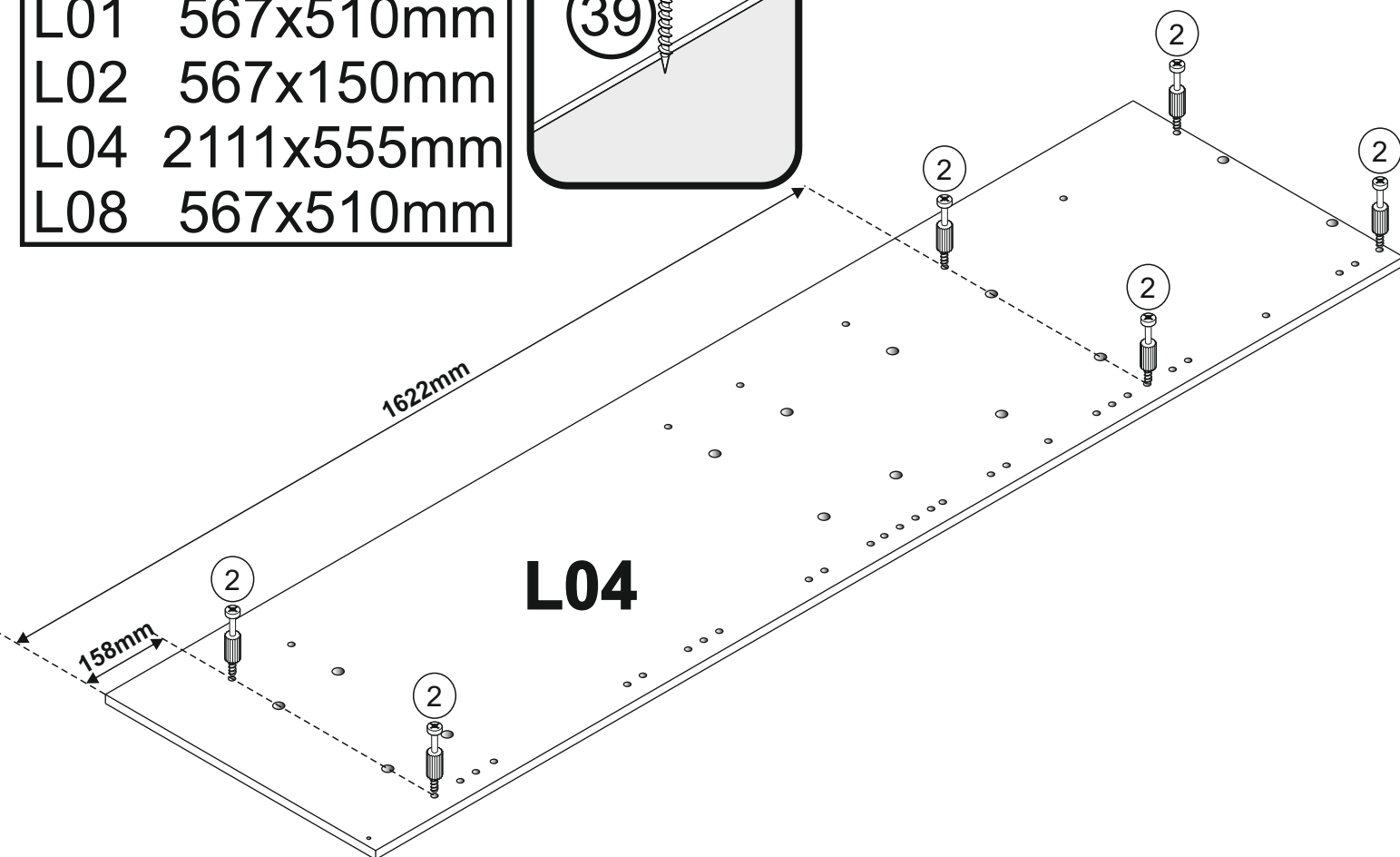


1

OPTION 4

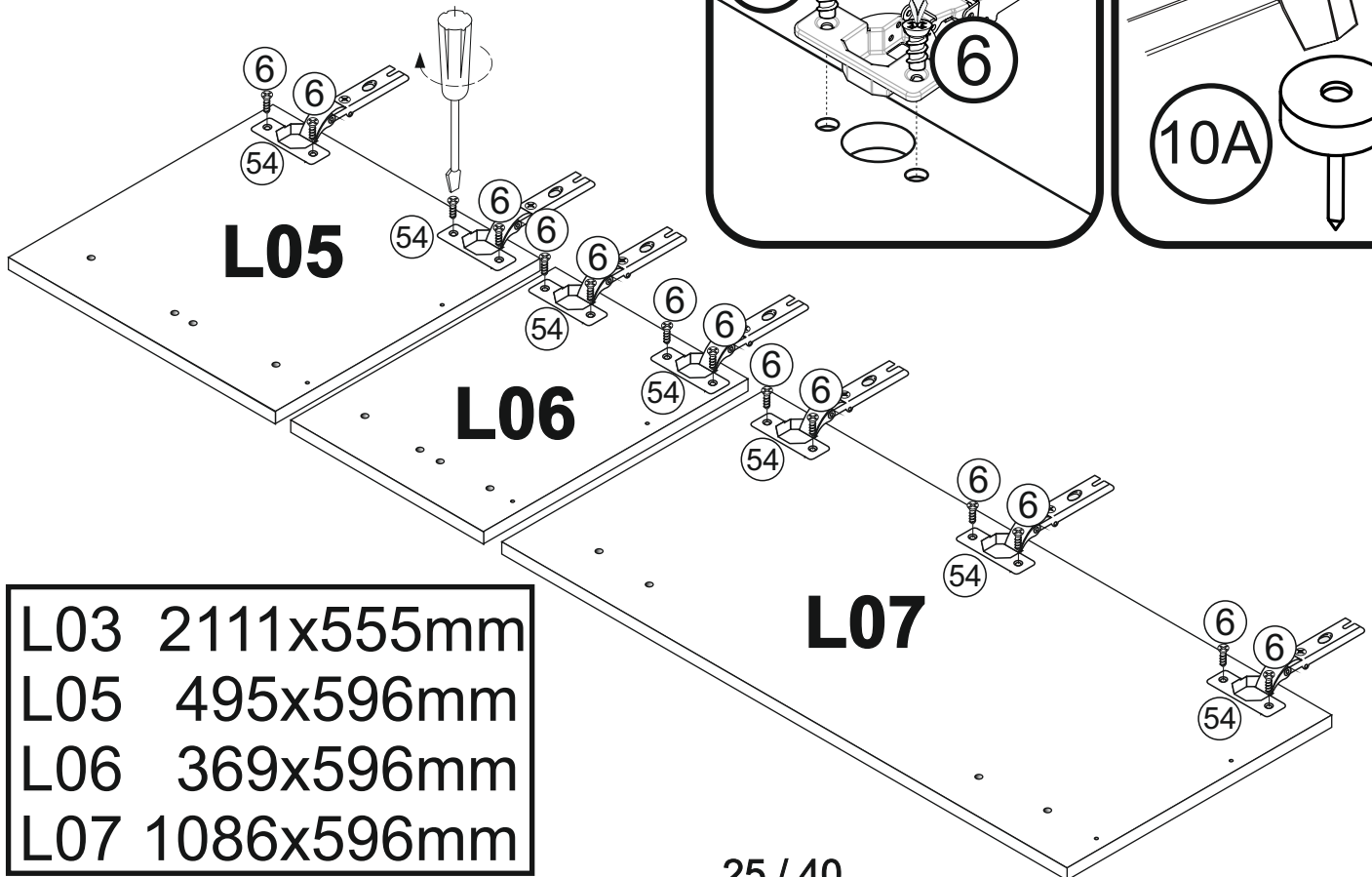
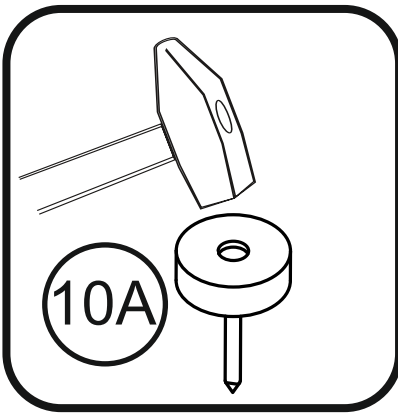
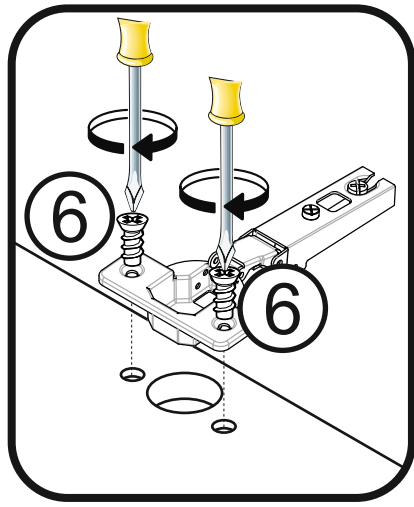
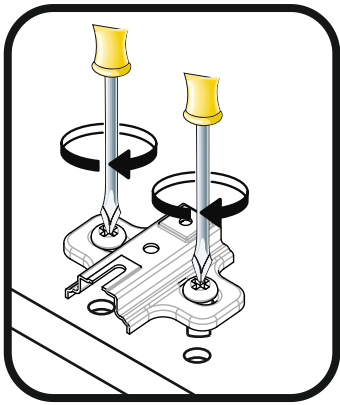
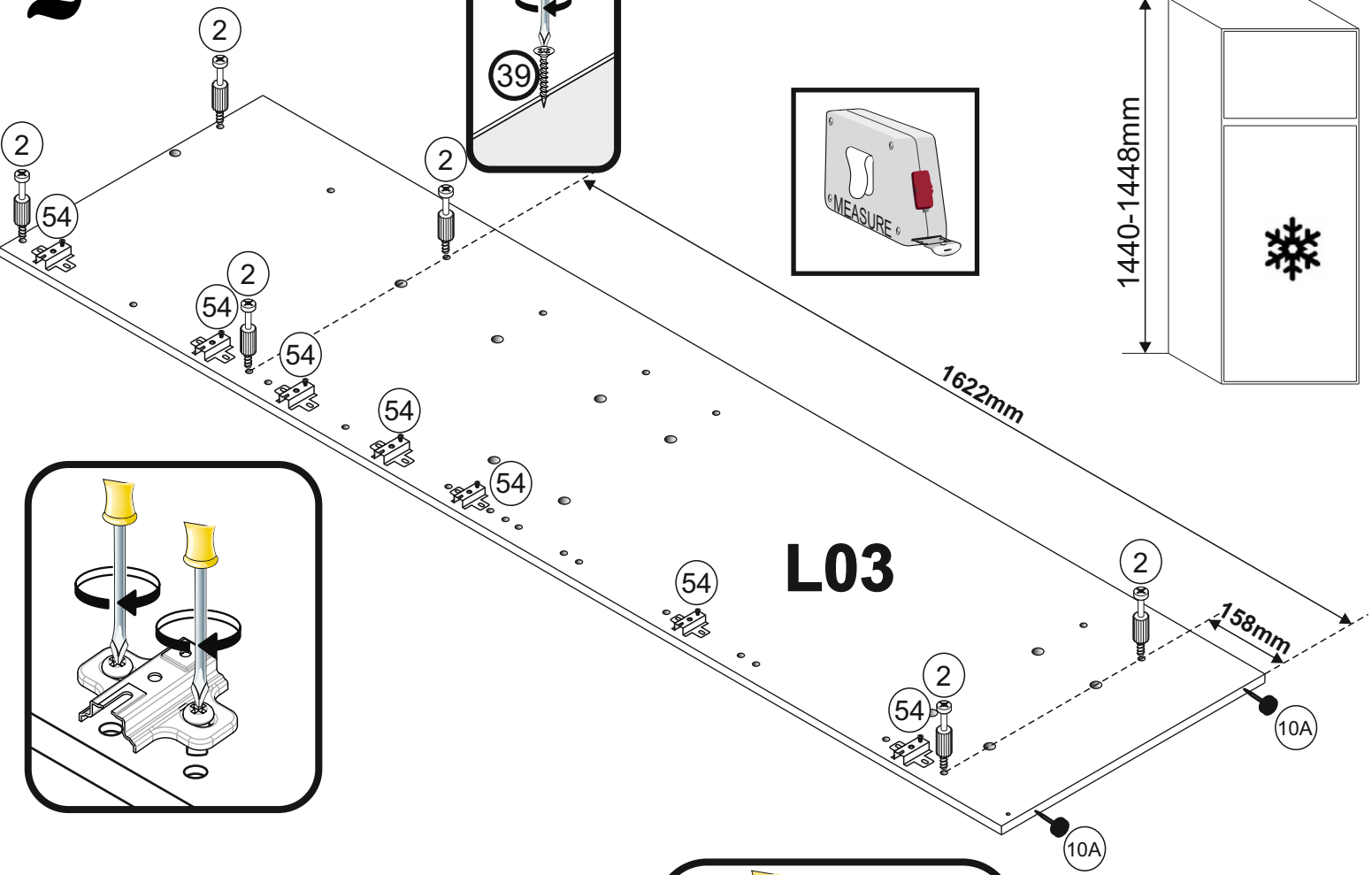
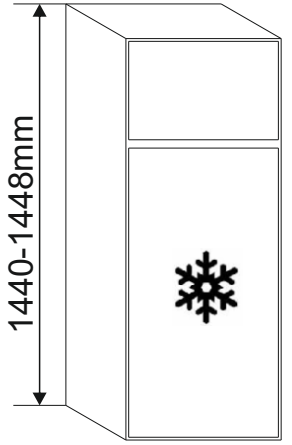


L01	567x510mm
L02	567x150mm
L04	2111x555mm
L08	567x510mm



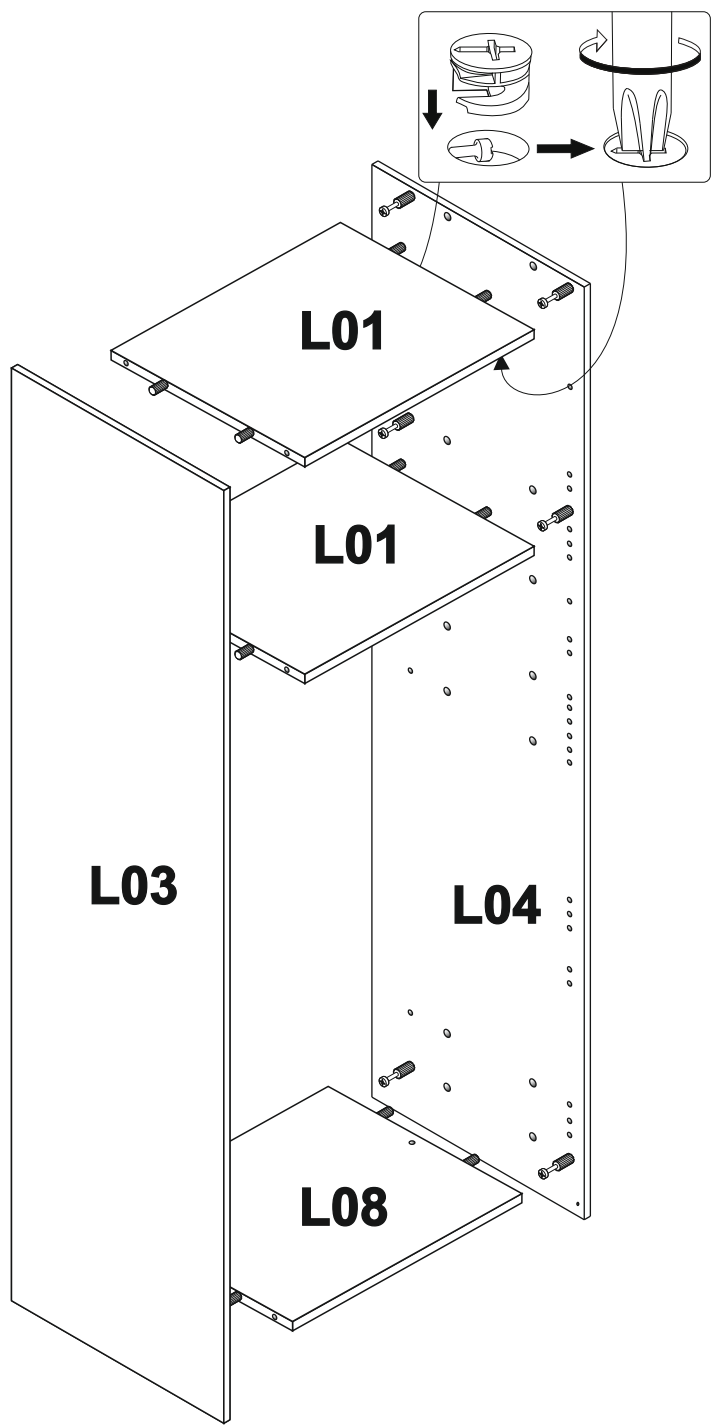
2

OPTION 4

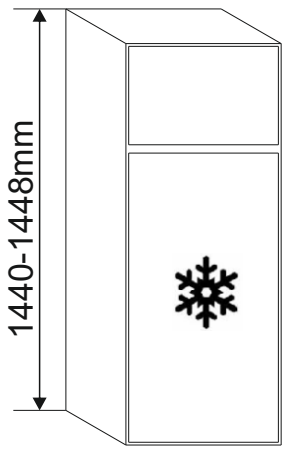


L03	2111x555mm
L05	495x596mm
L06	369x596mm
L07	1086x596mm

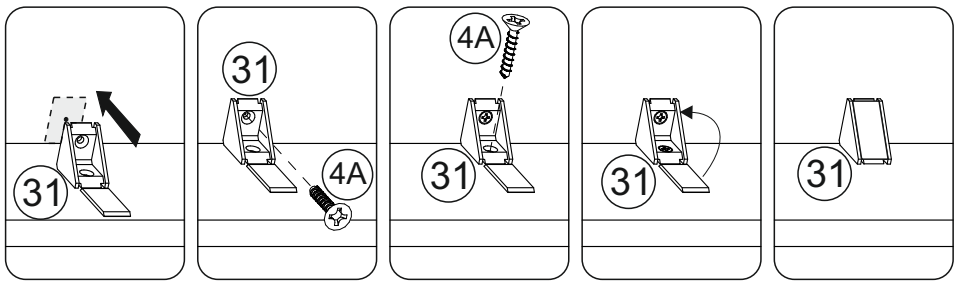
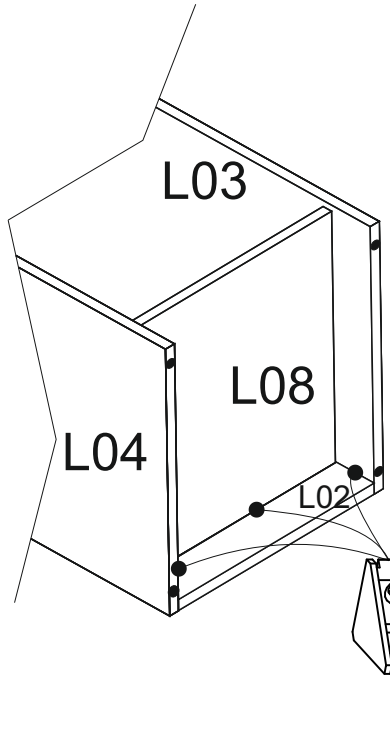
3



OPTION 4



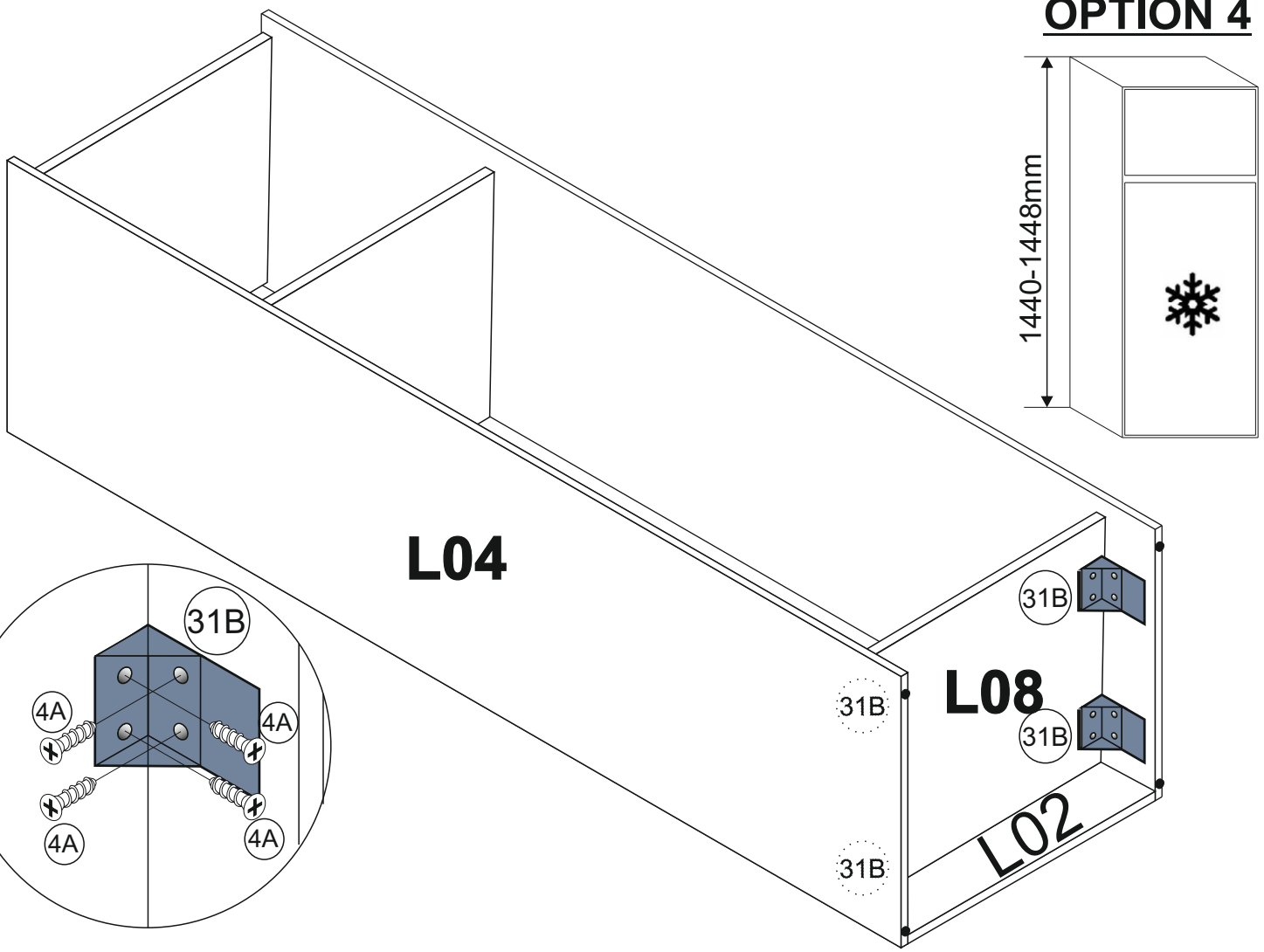
4



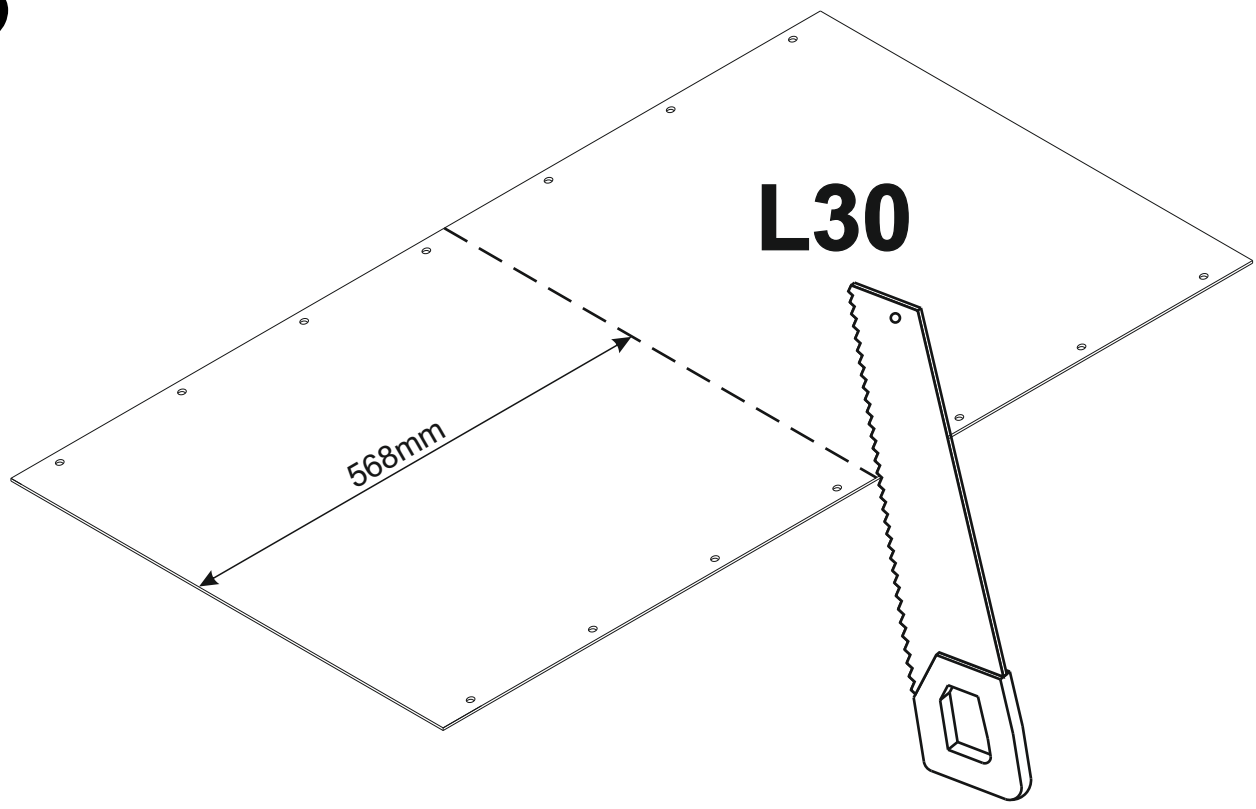
31 x3

5

OPTION 4



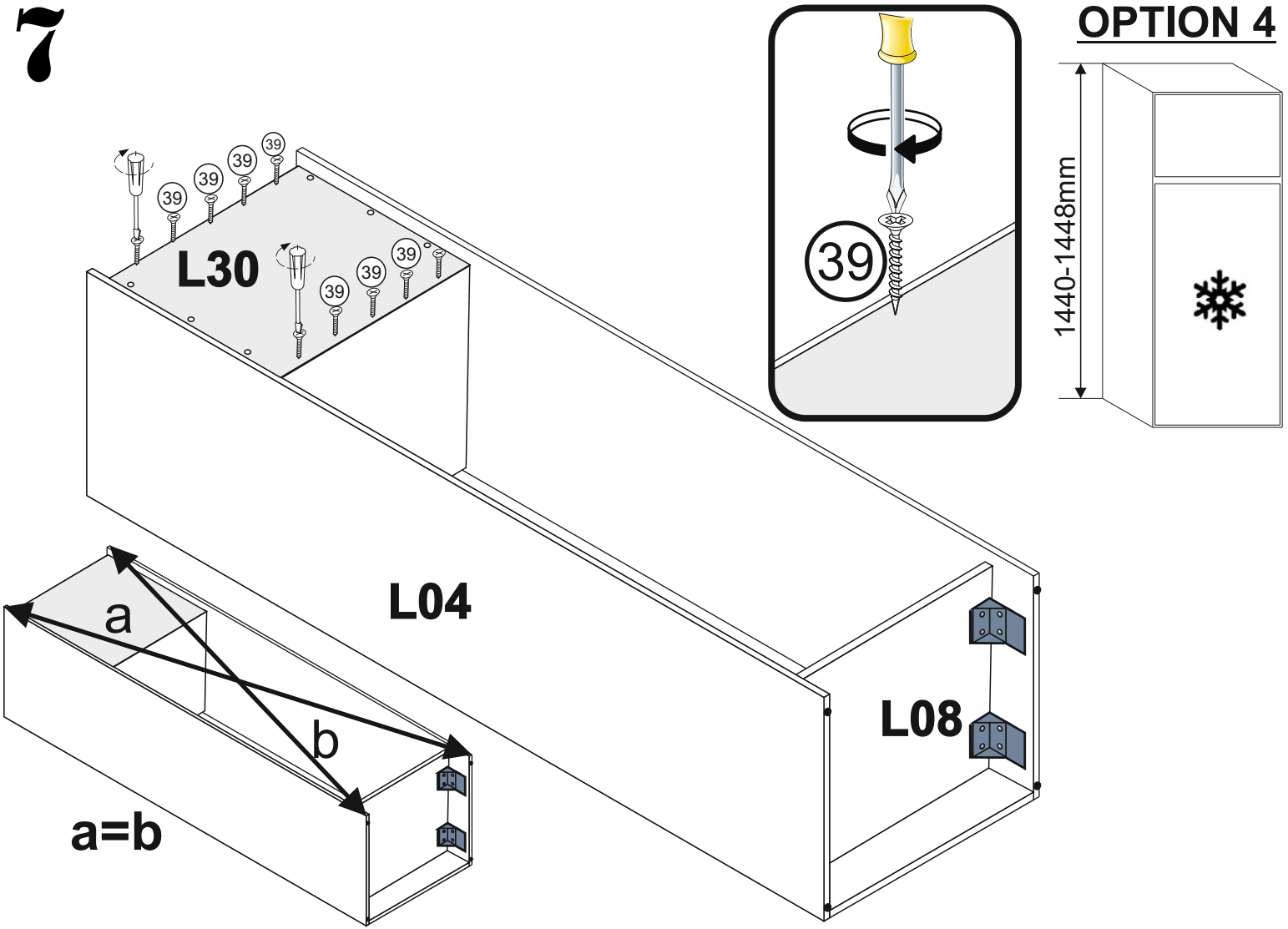
6



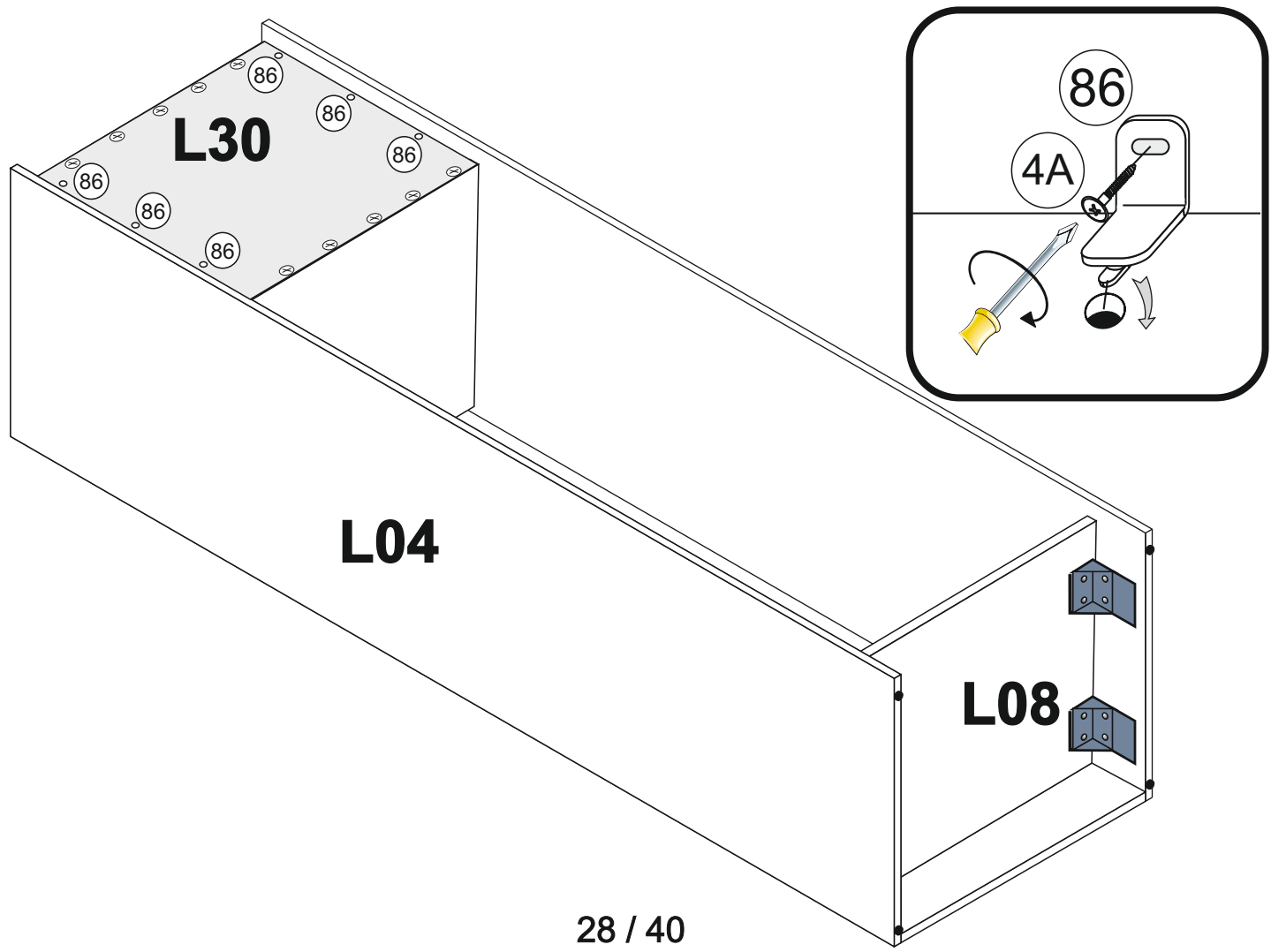
L30	1060x566mm
-----	------------

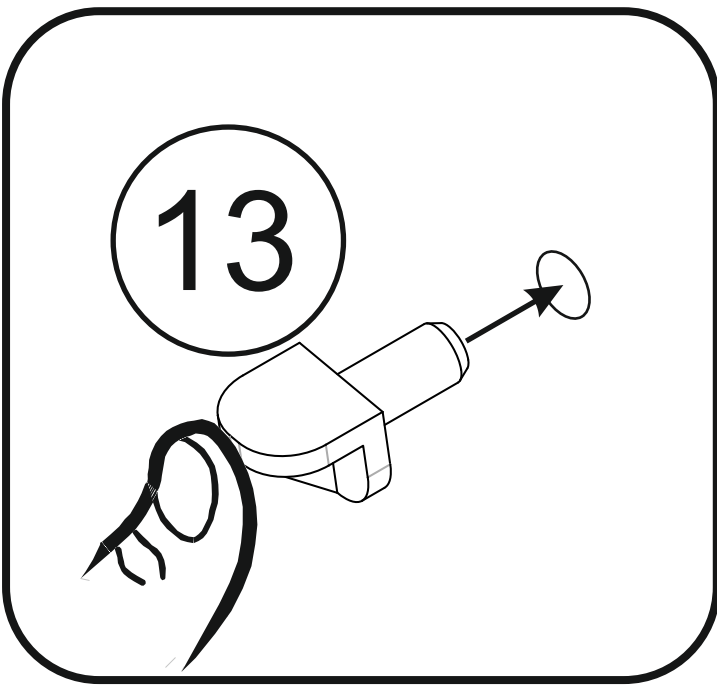
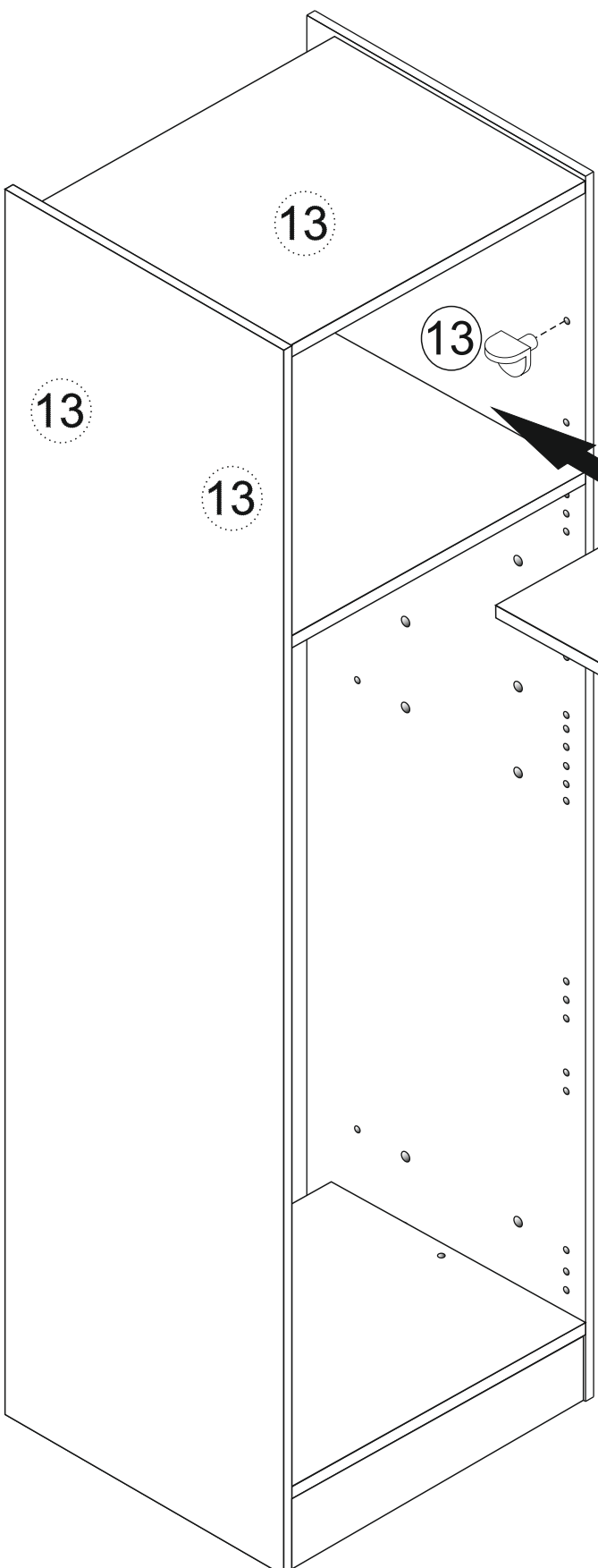
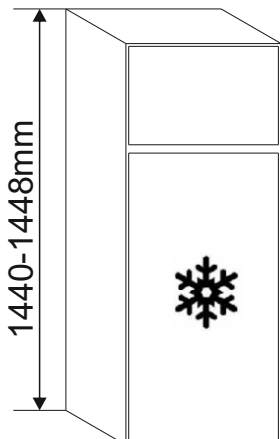
7

OPTION 4

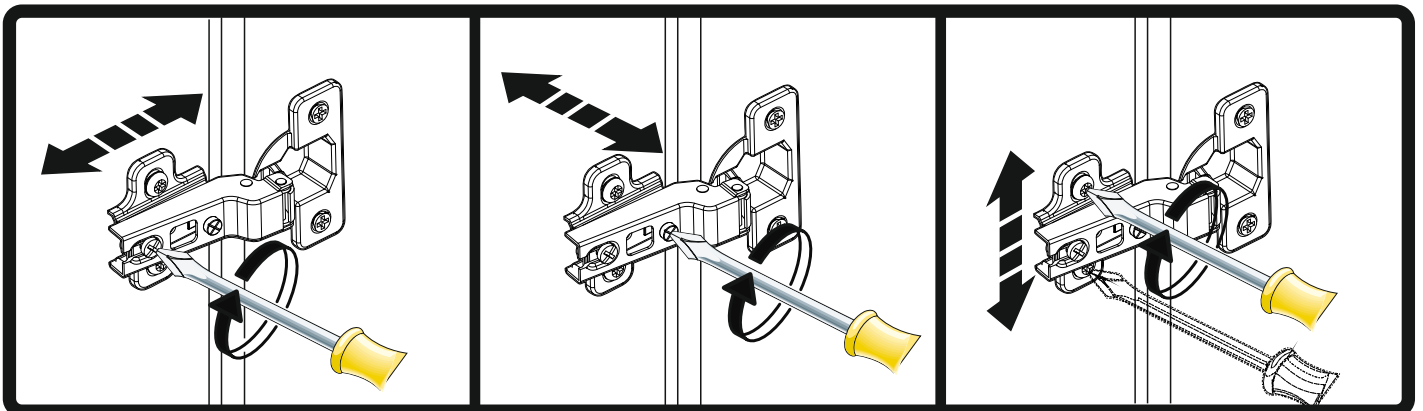
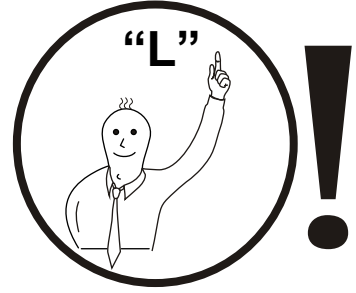
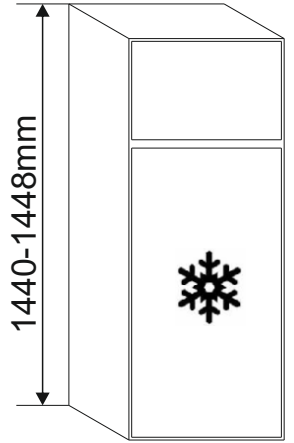
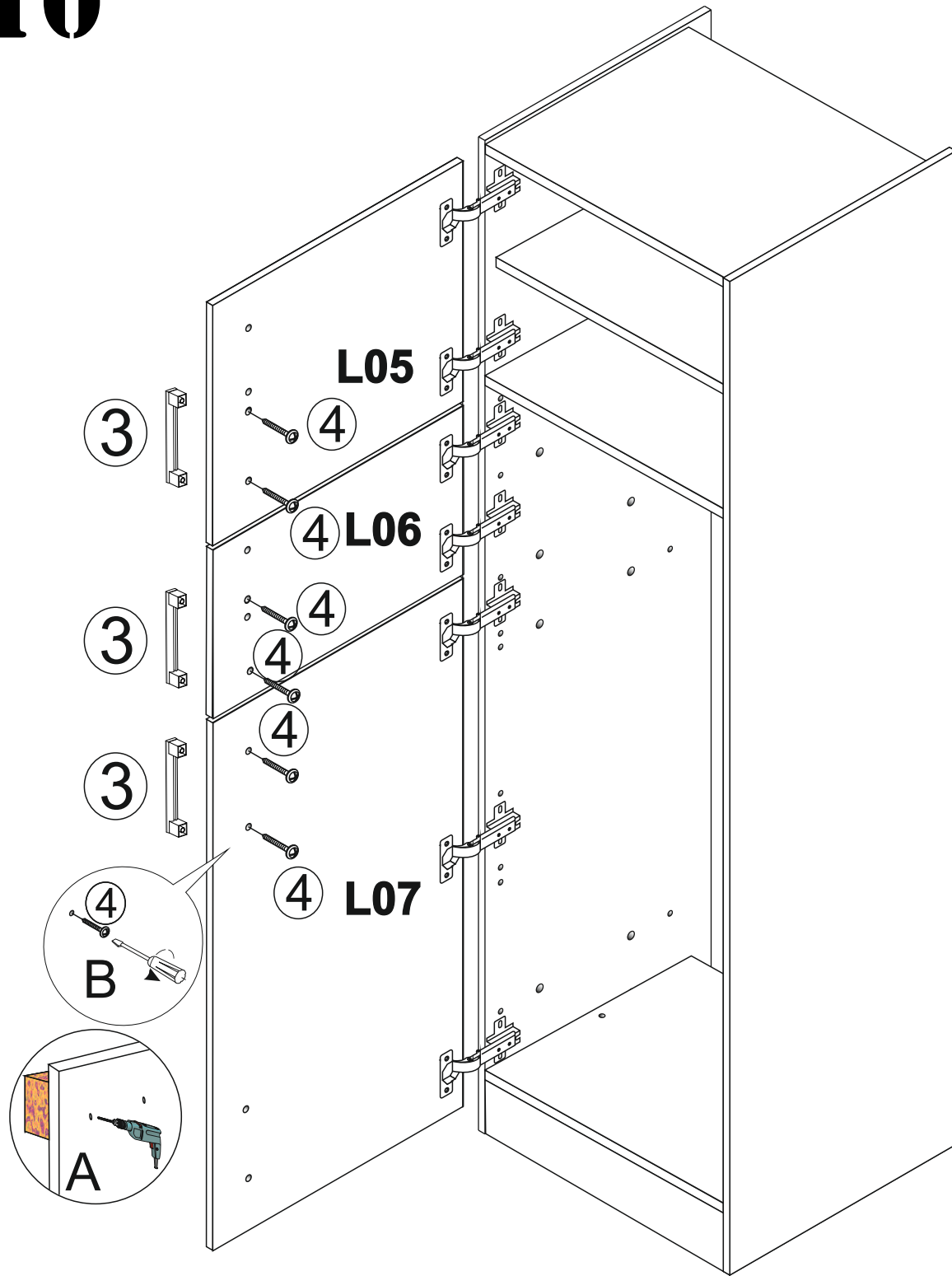


8



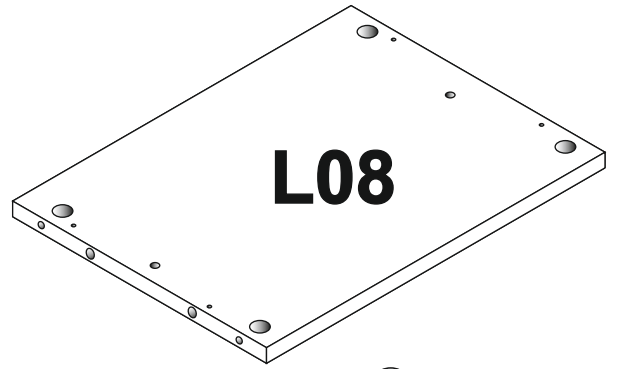
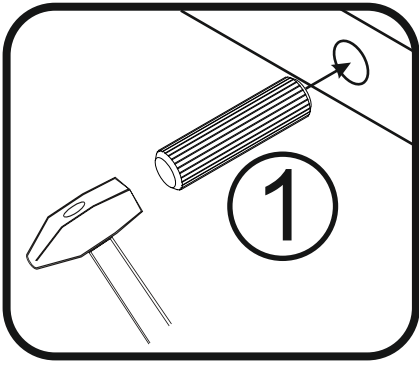
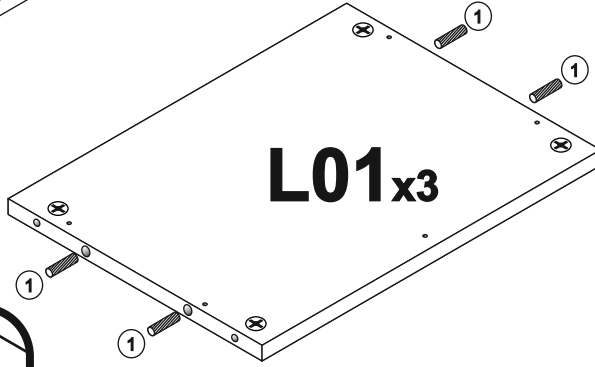
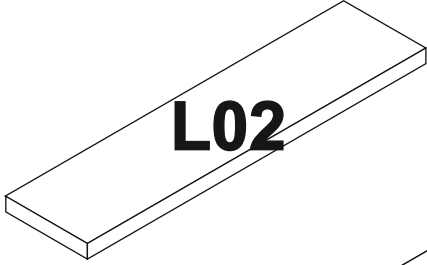
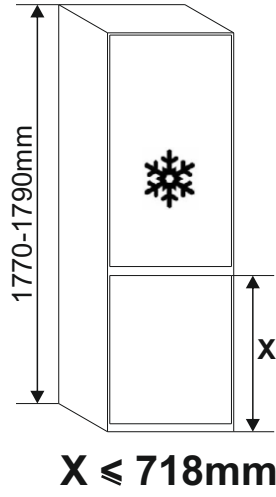
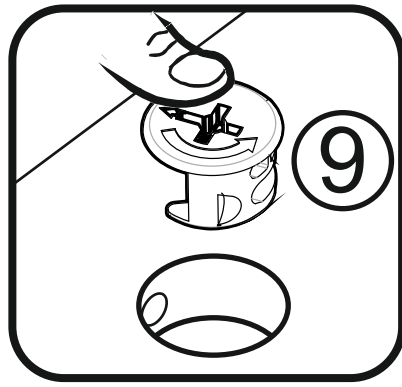


L10 567x500mm

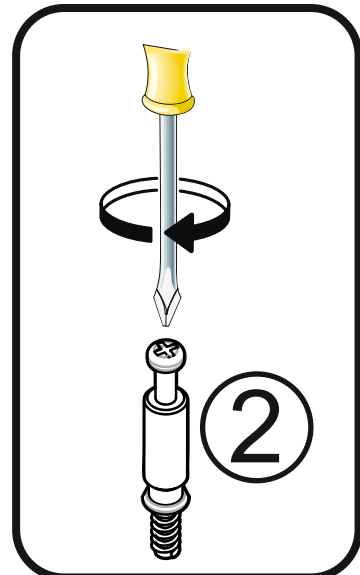
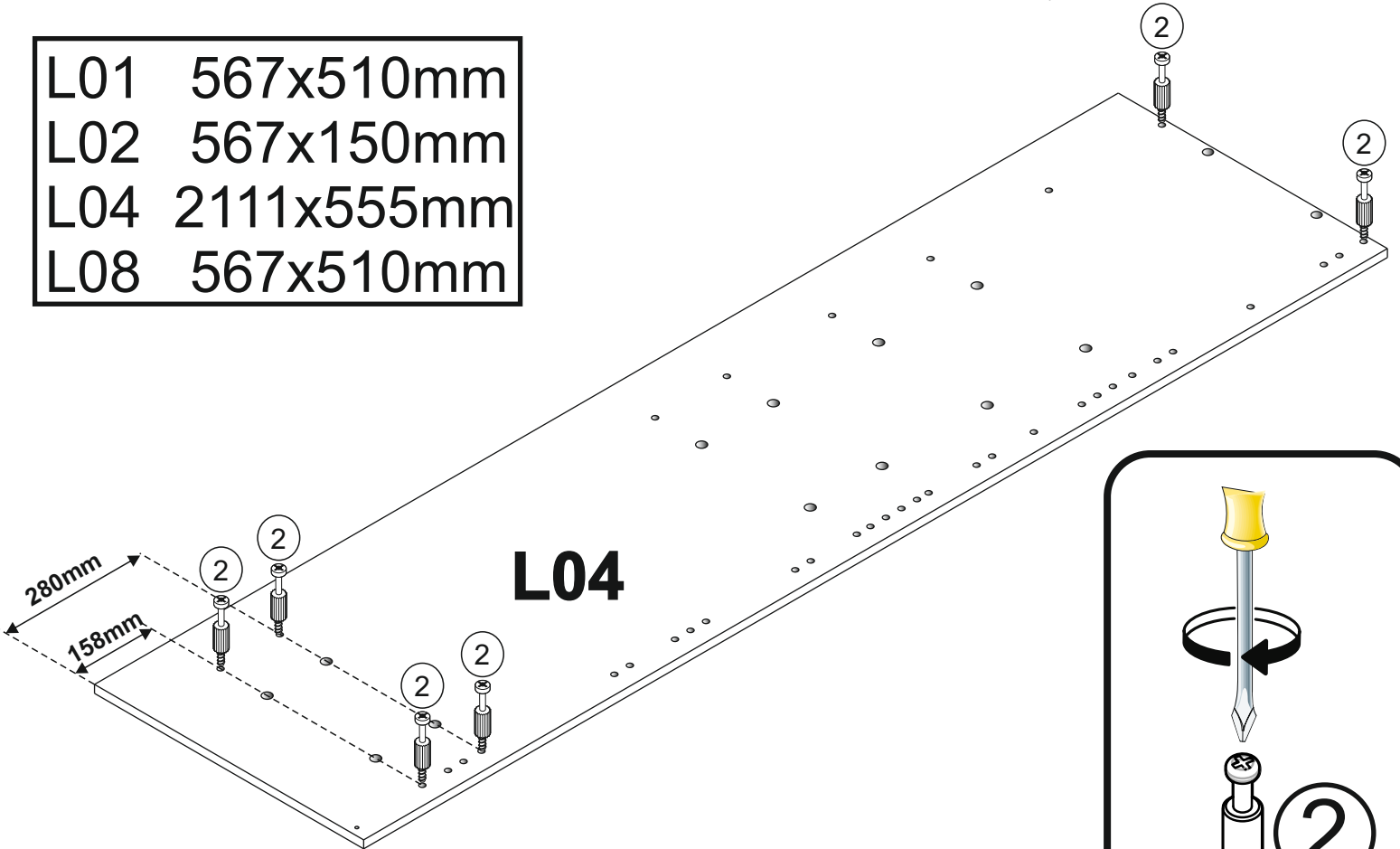


1

OPTION 5

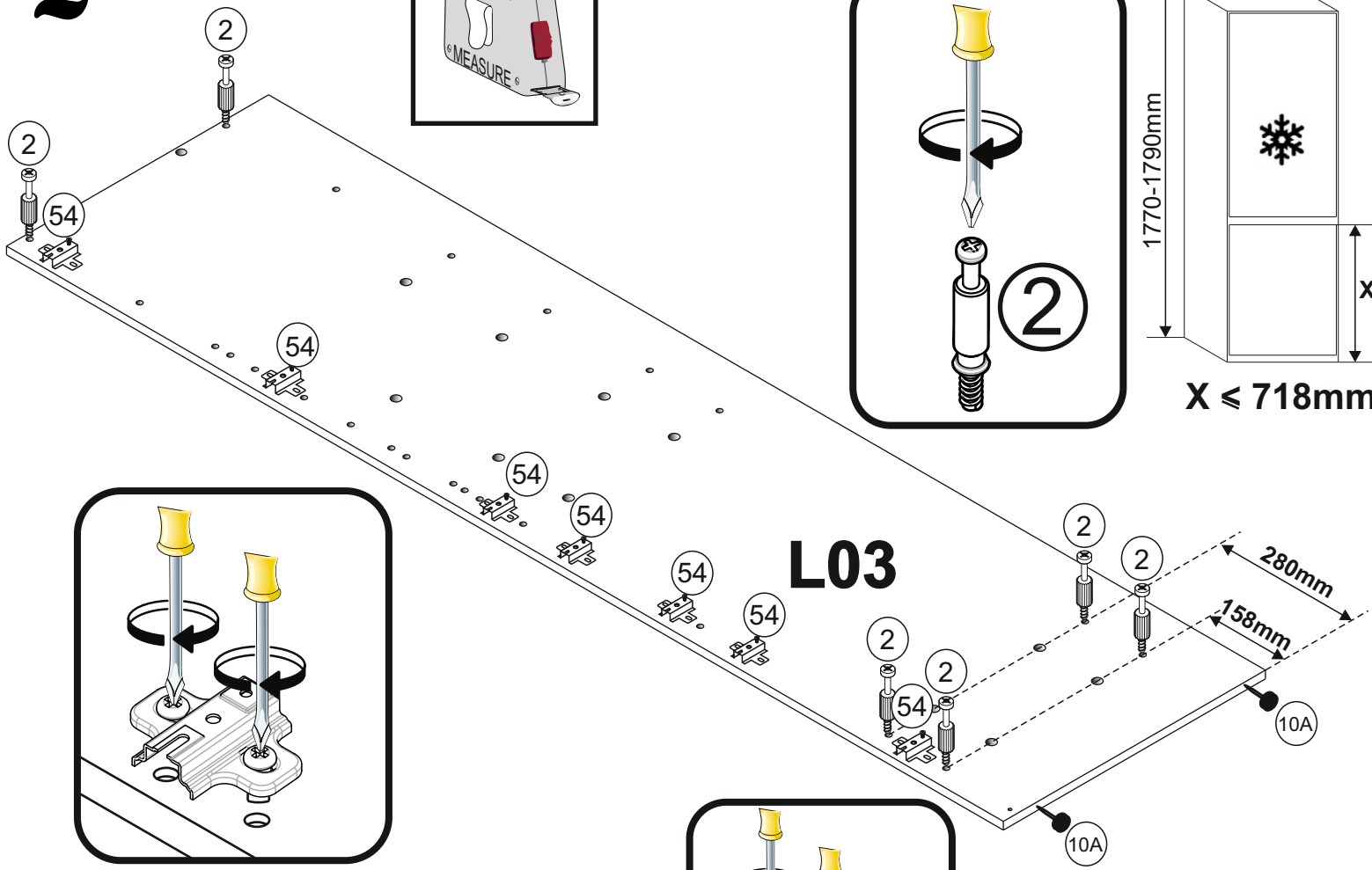
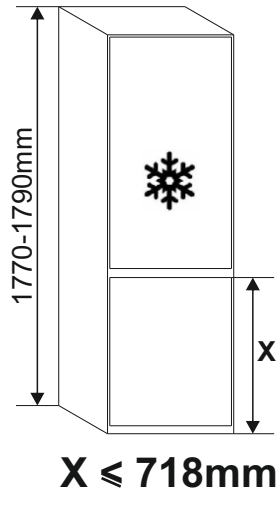
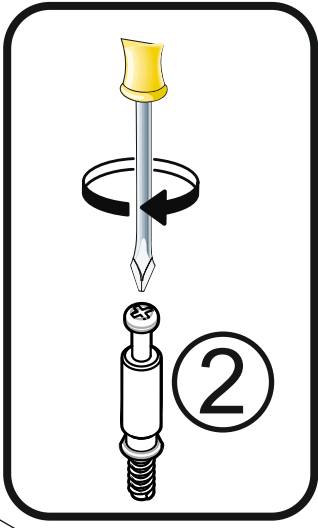
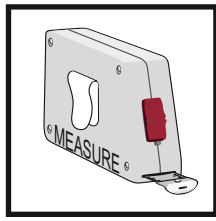


L01	567x510mm
L02	567x150mm
L04	2111x555mm
L08	567x510mm

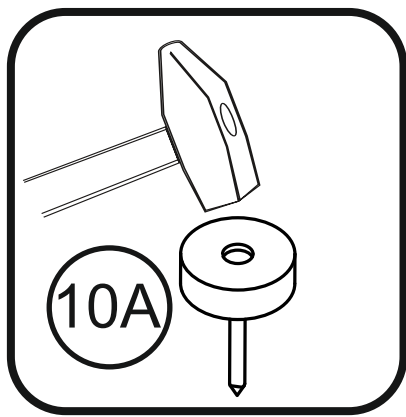
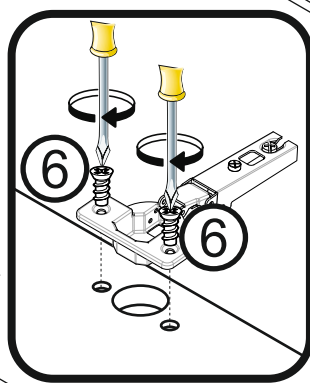
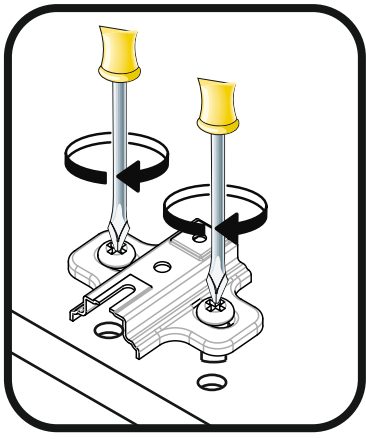


2

OPTION 5



L03

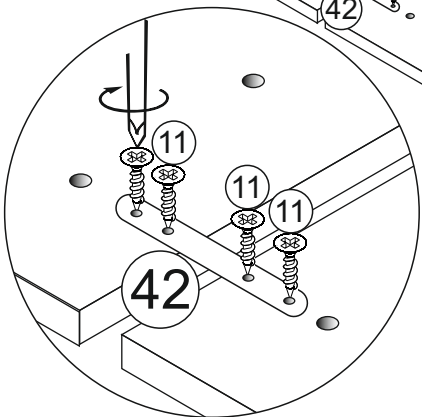


L07

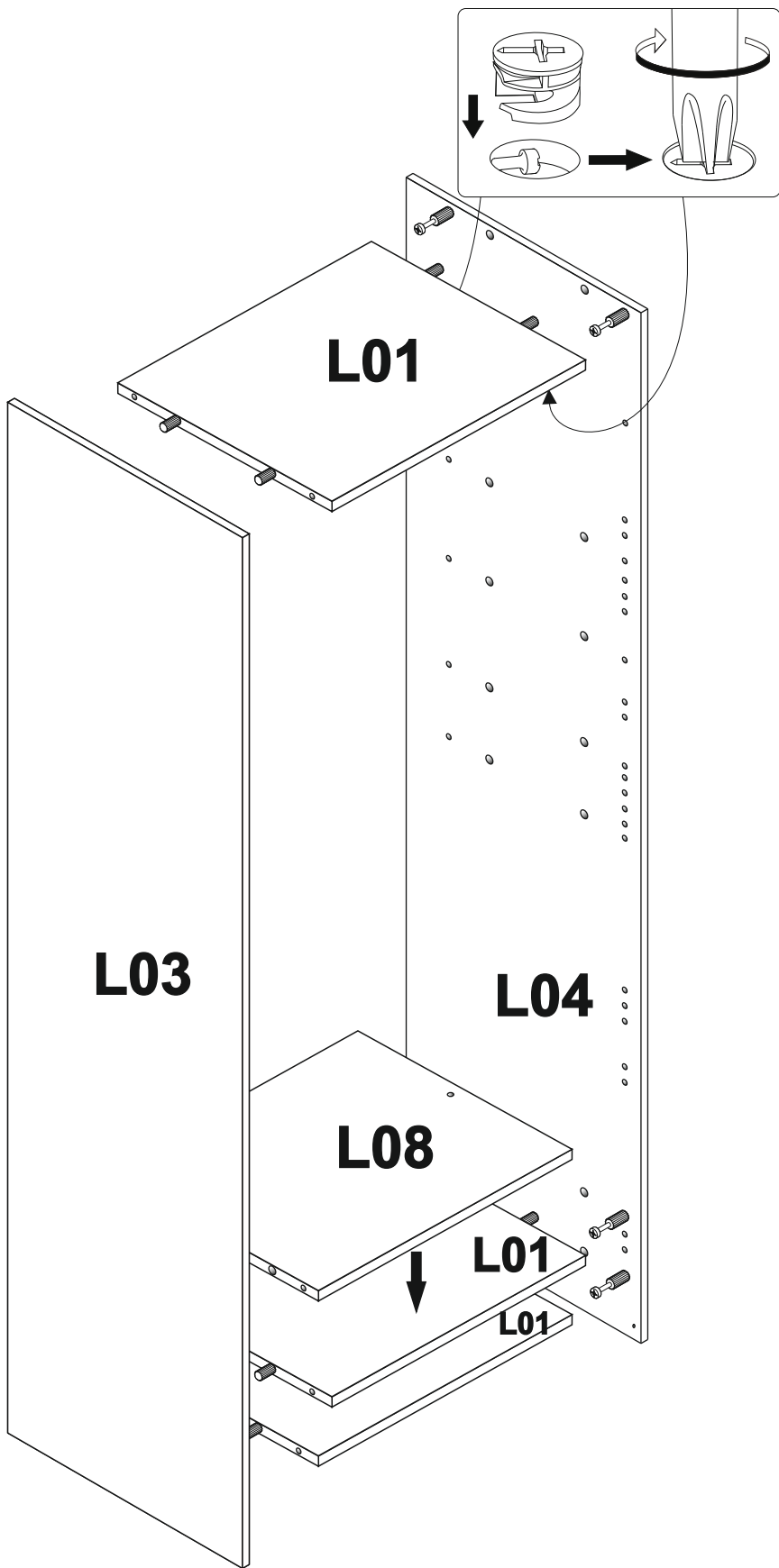
L06

L05

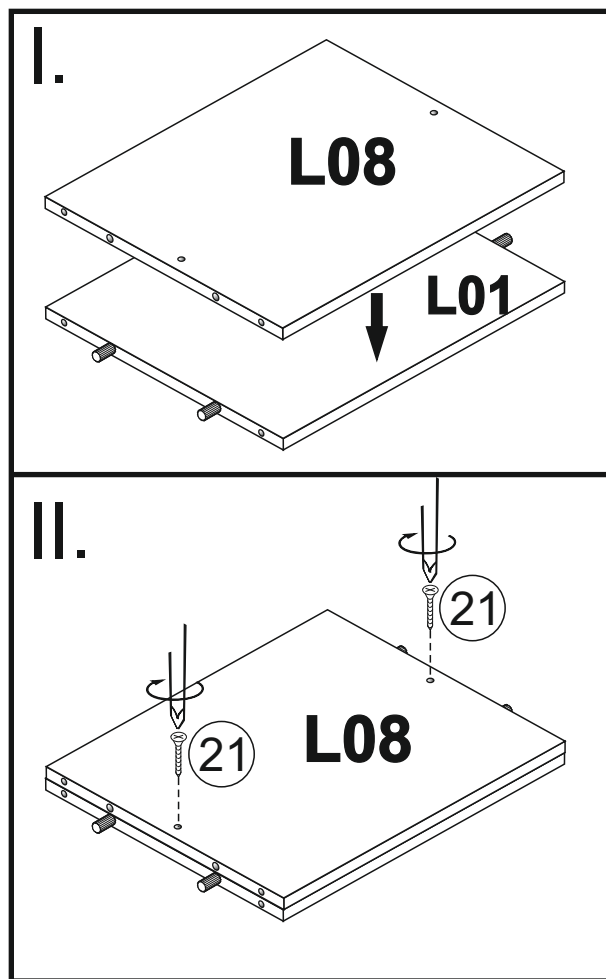
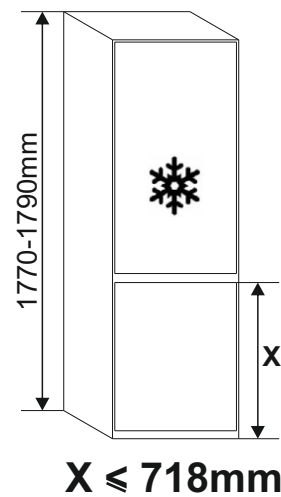
L03	2111x555mm
L05	495x596mm
L06	369x596mm
L07	1086x596mm



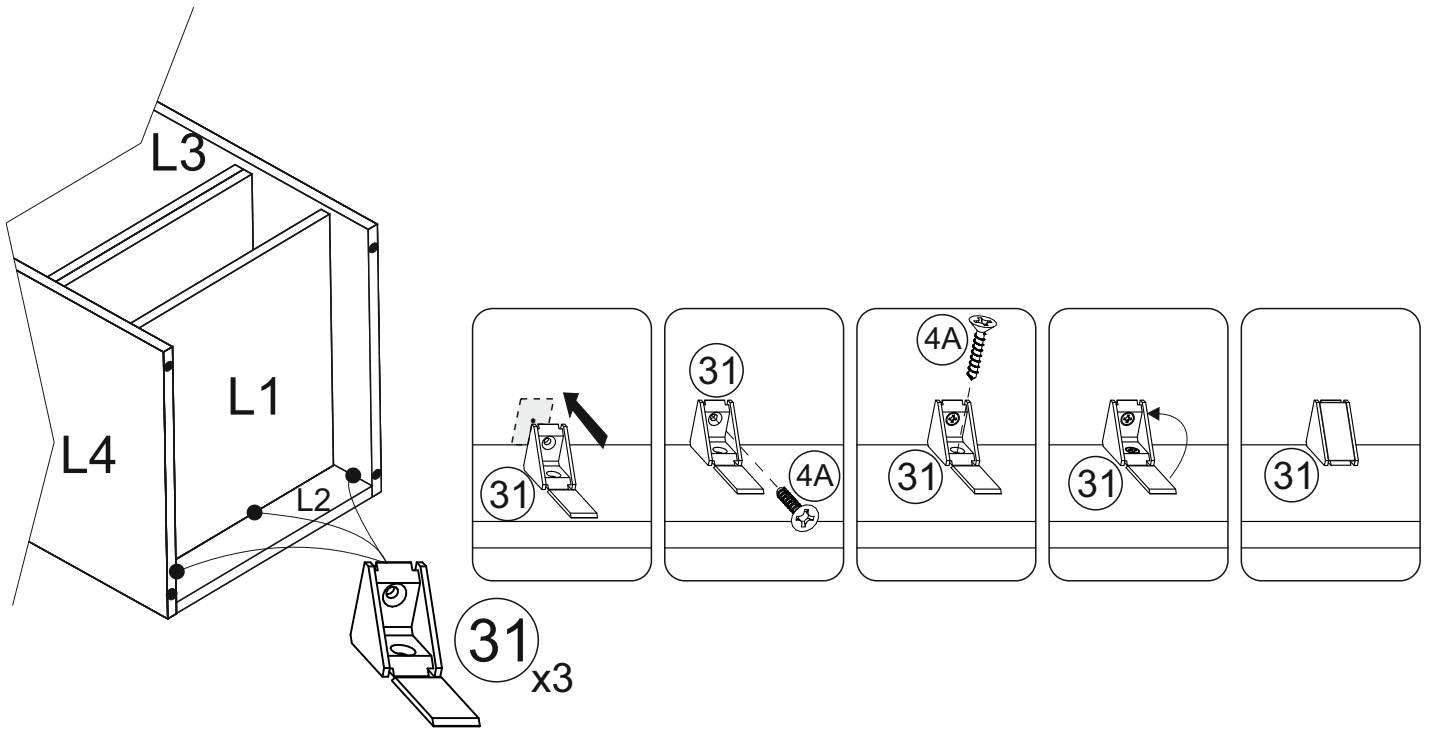
3



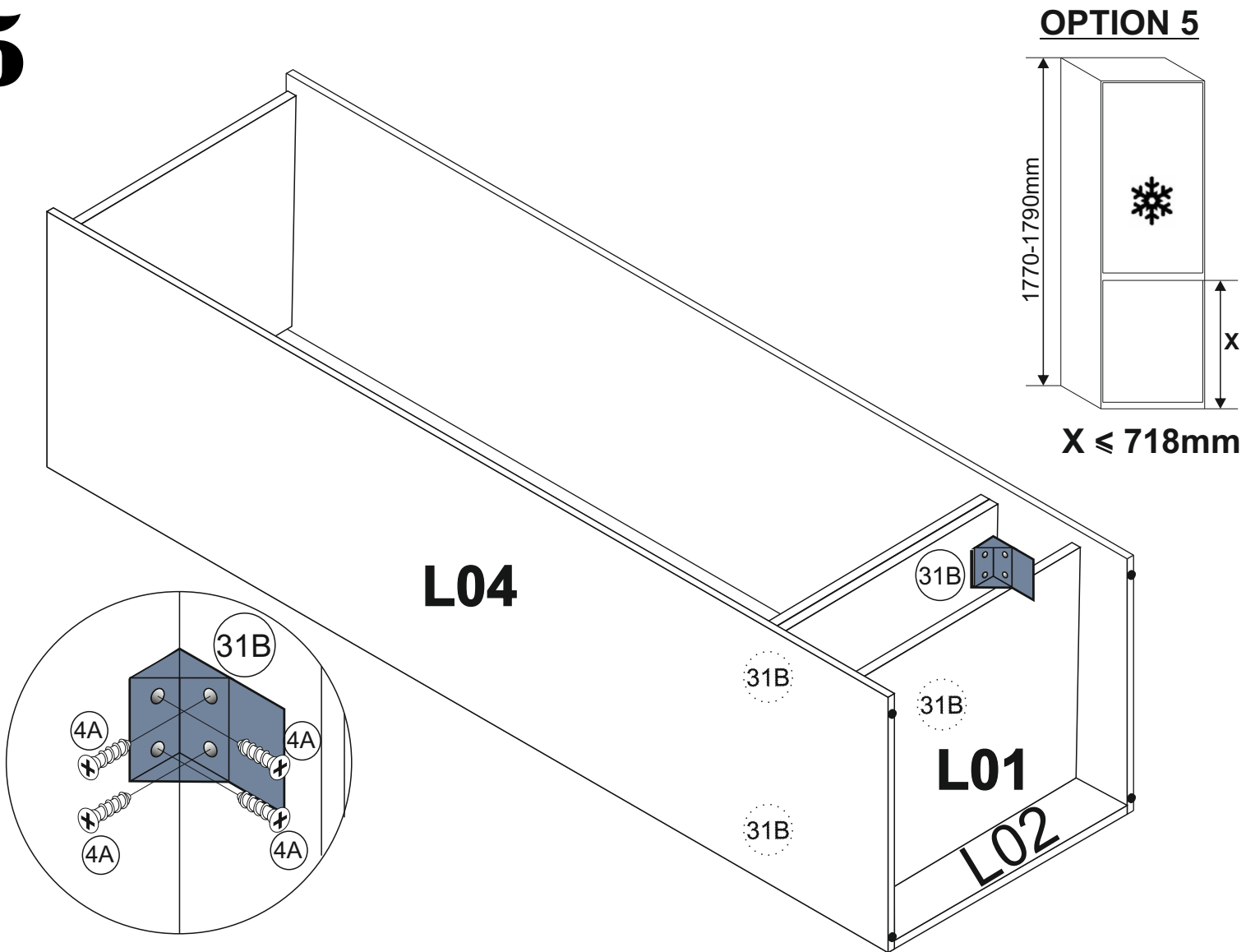
OPTION 5



4

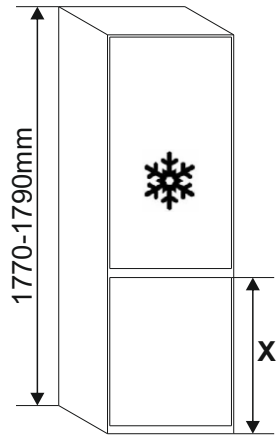


5

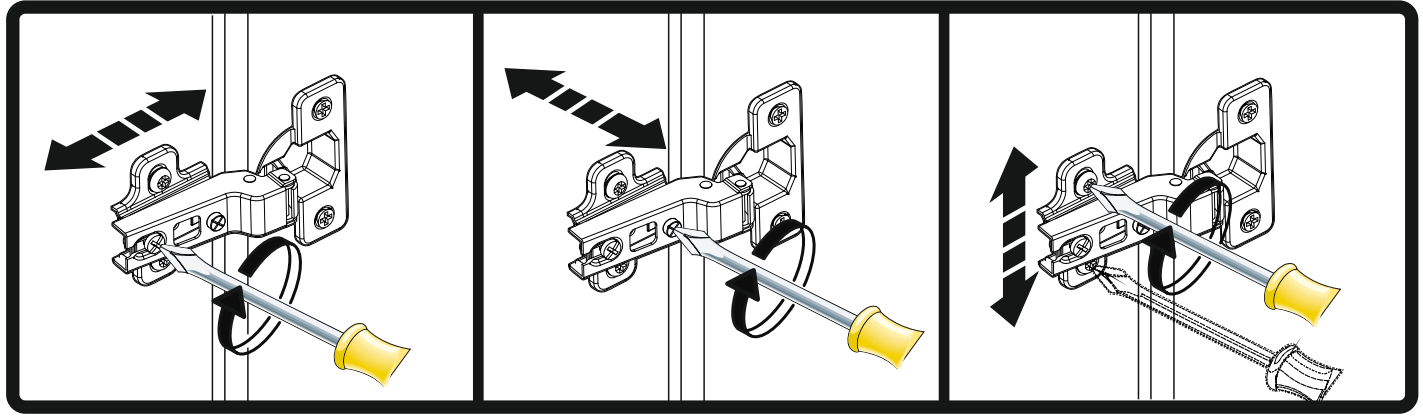
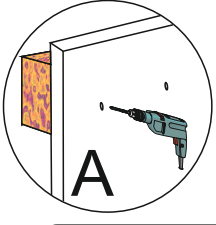
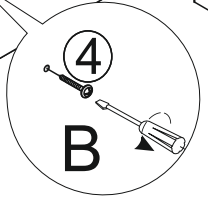
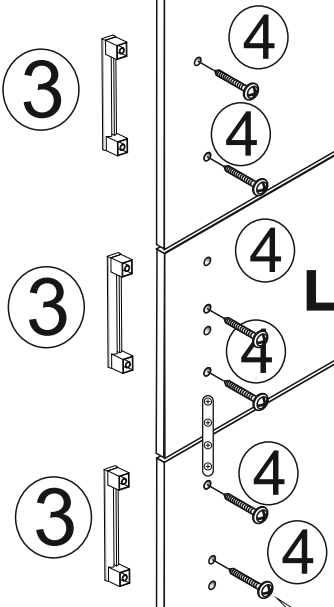
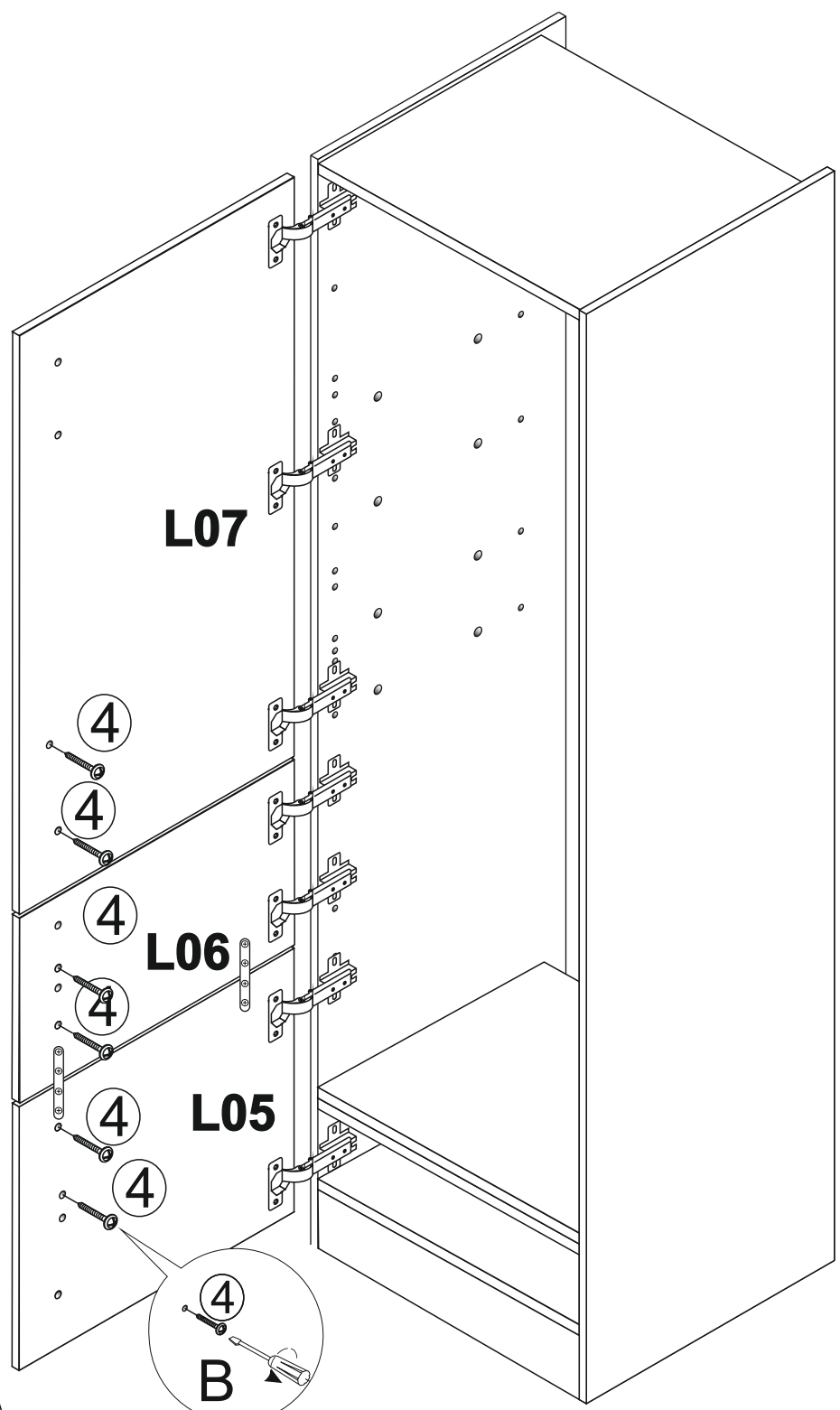
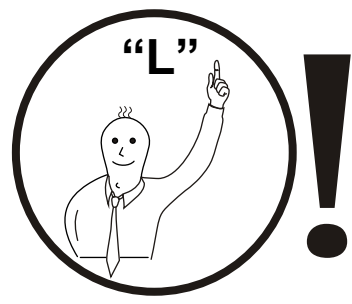


6

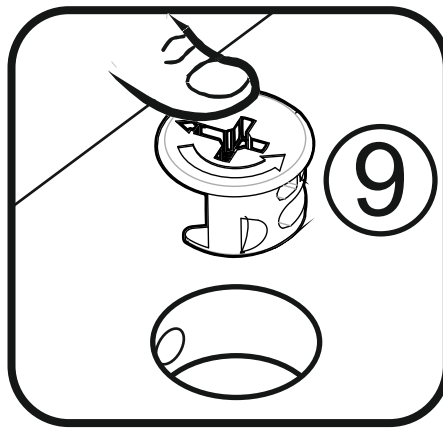
OPTION 5



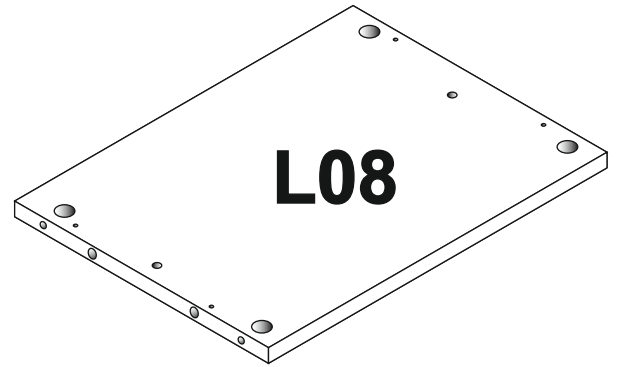
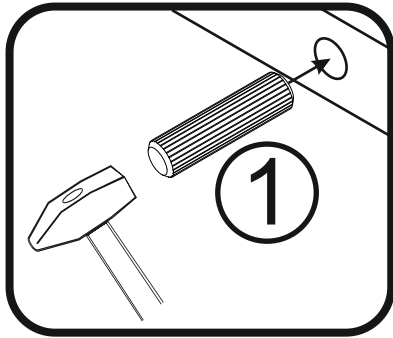
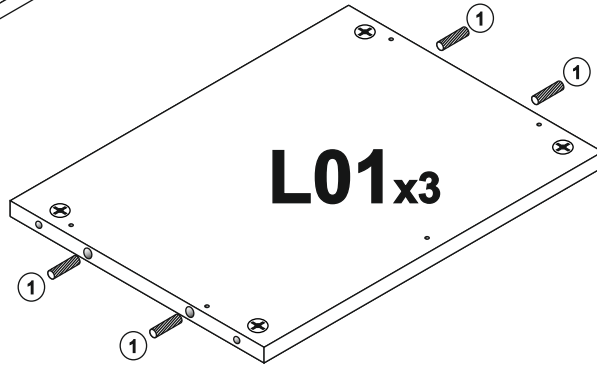
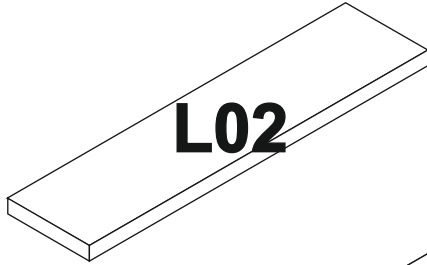
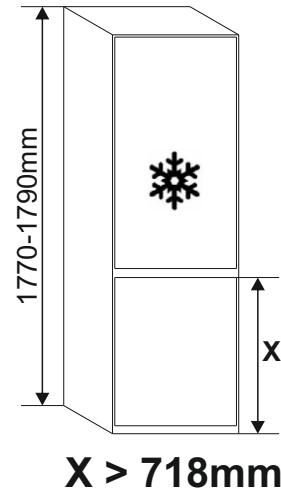
$X \leq 718\text{mm}$



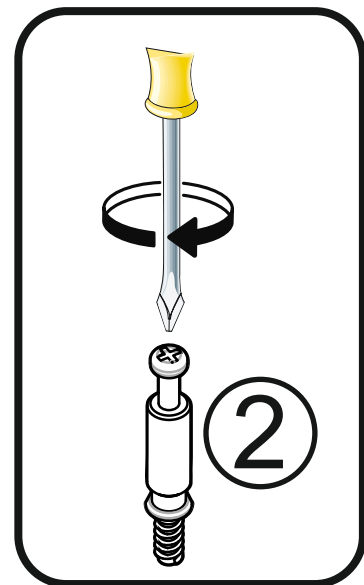
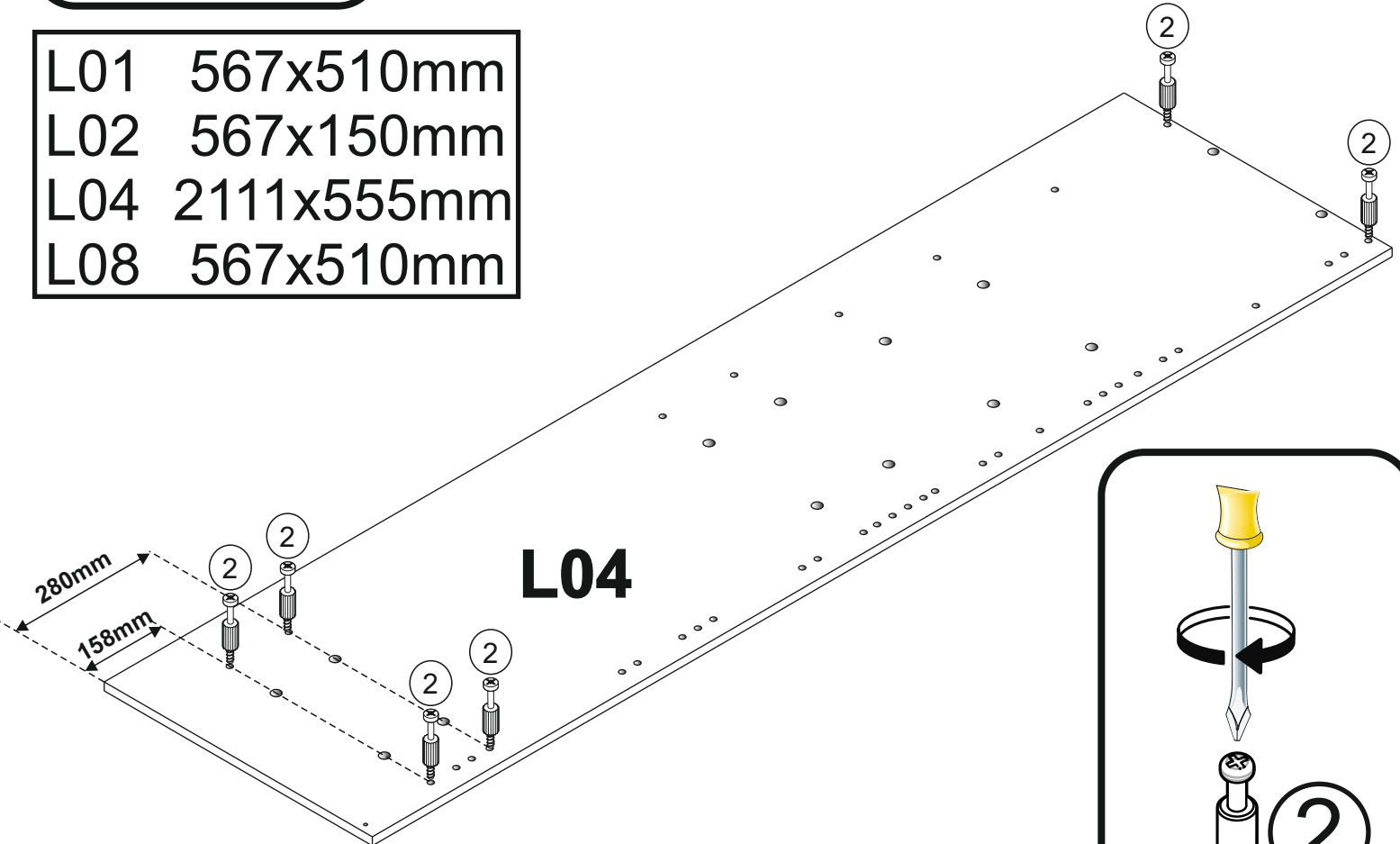
1



OPTION 6

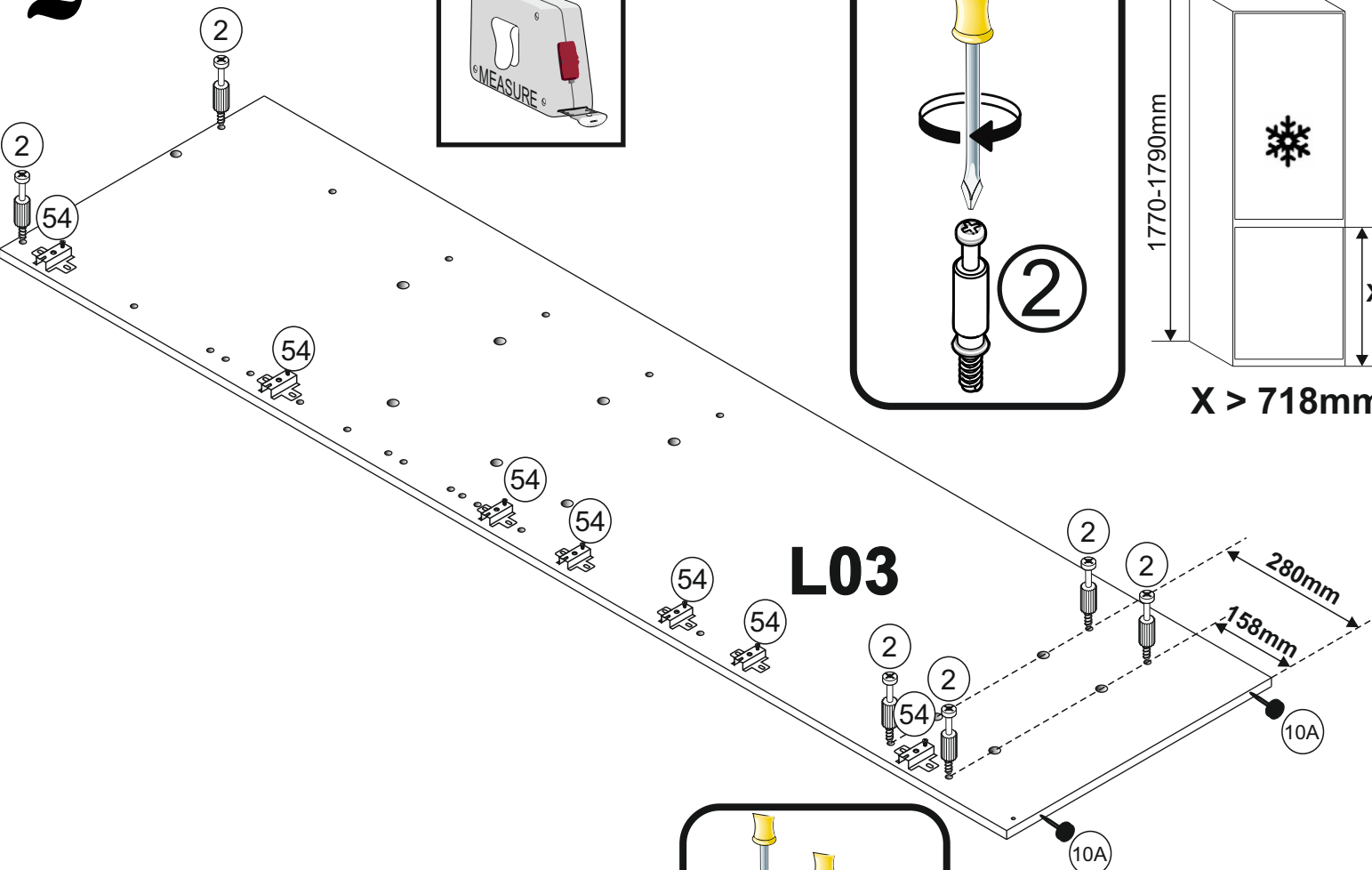
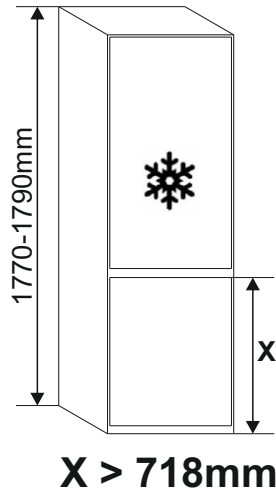
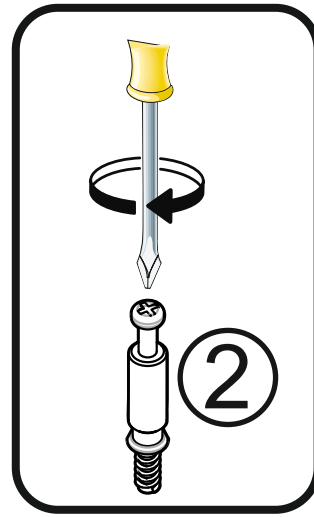
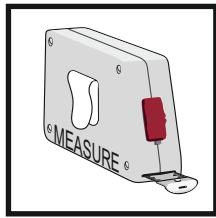


L01	567x510mm
L02	567x150mm
L04	2111x555mm
L08	567x510mm

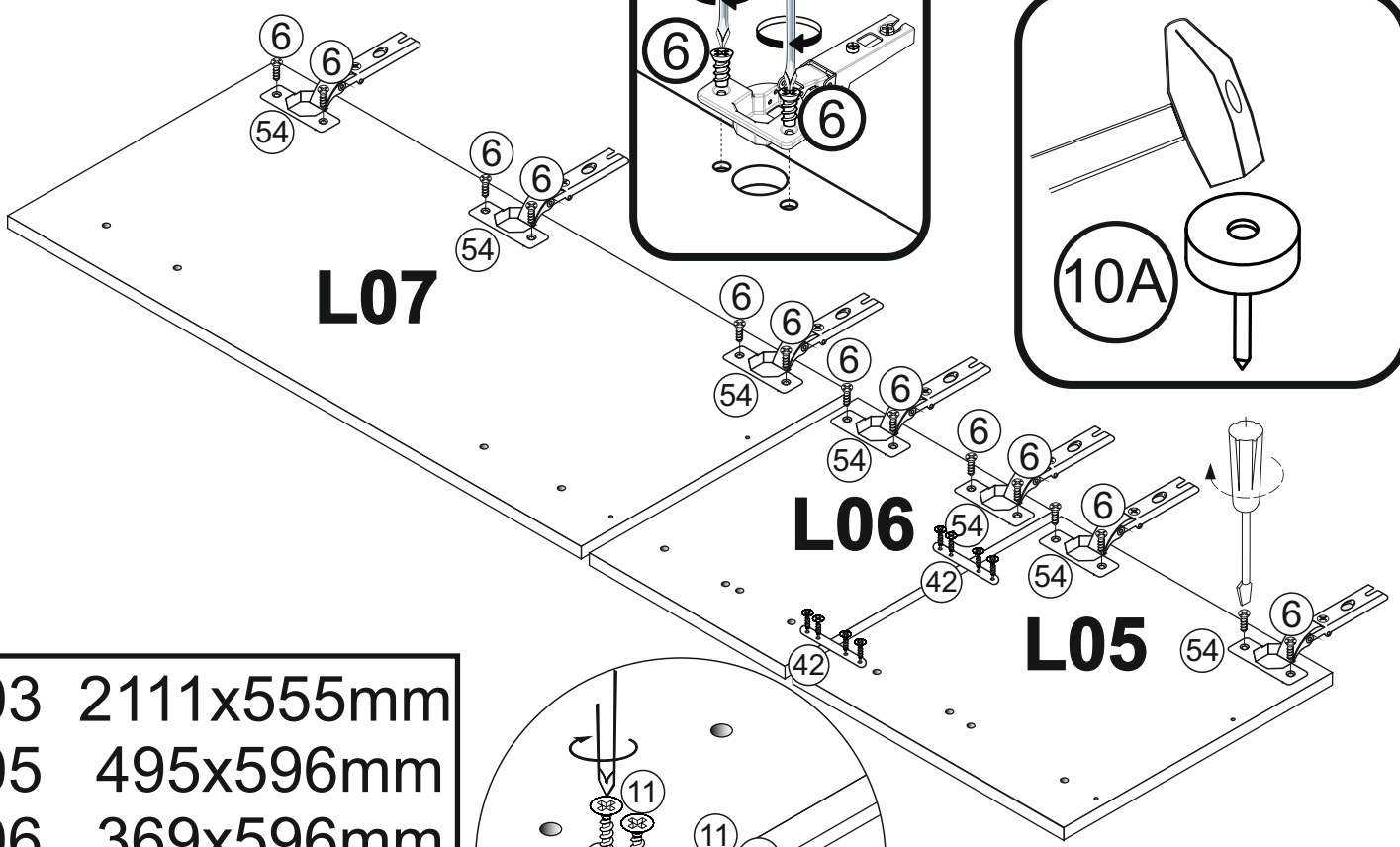
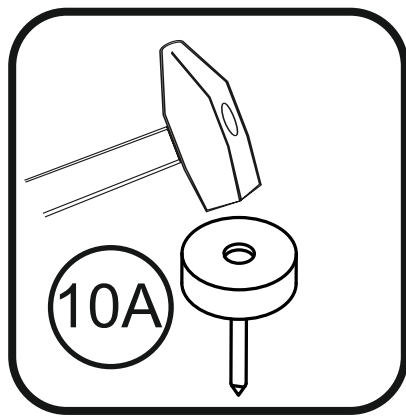
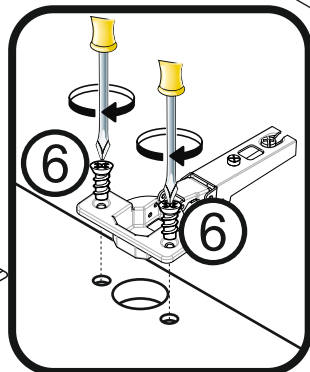


2

OPTION 6



L03

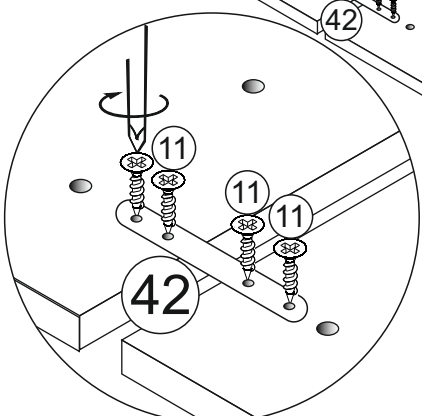


L07

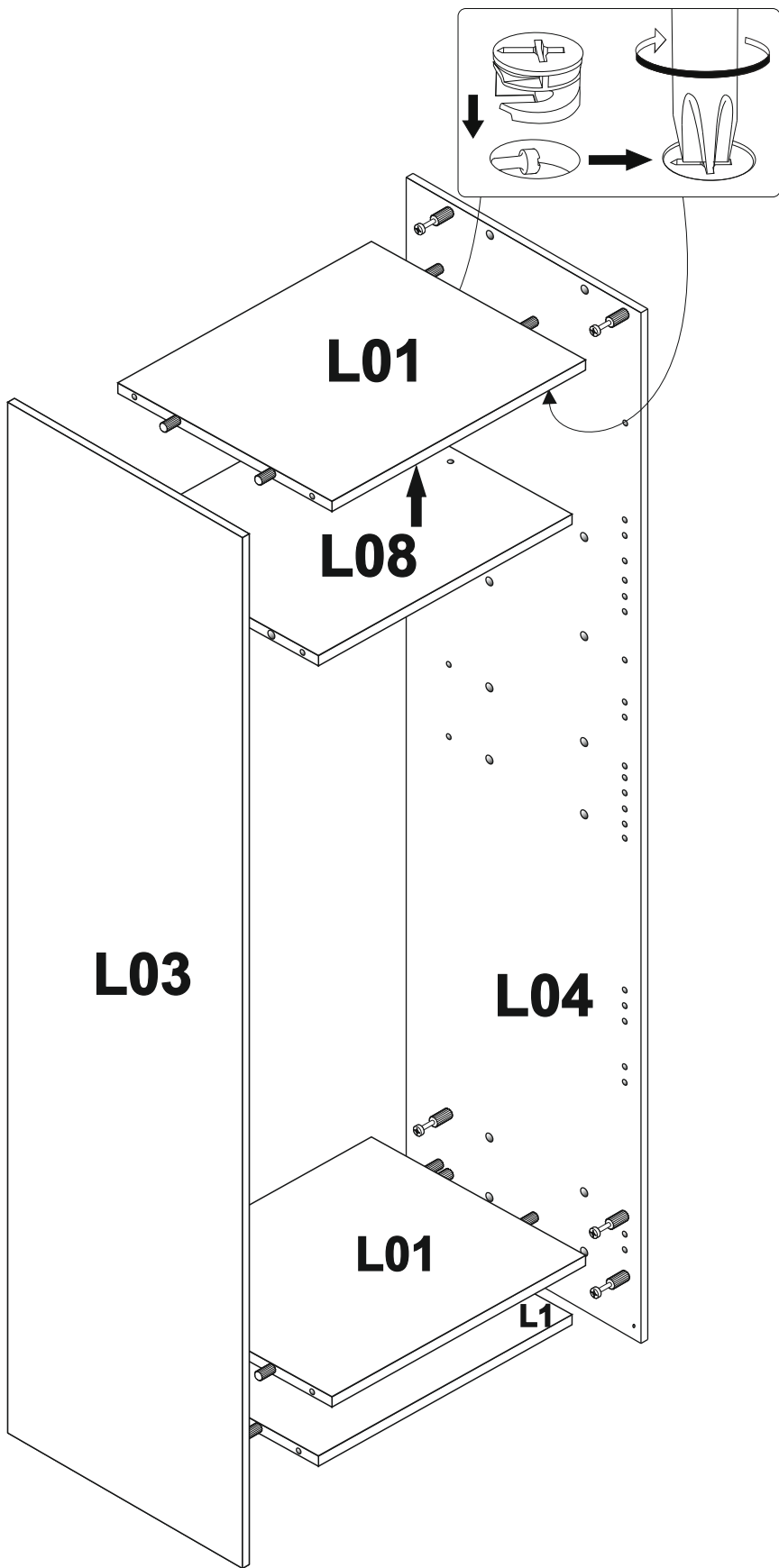
L06

L05

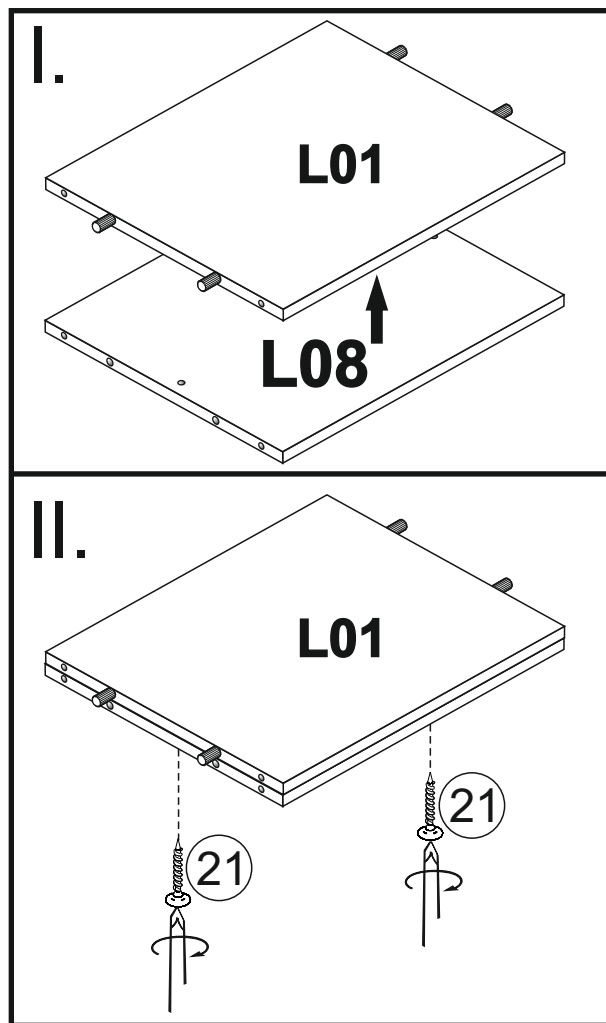
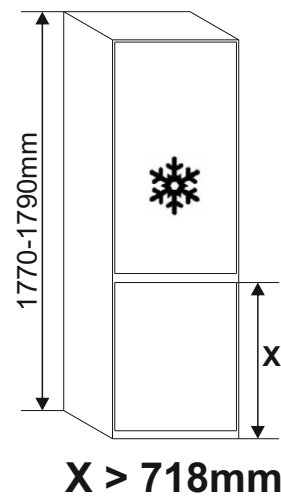
L03	2111x555mm
L05	495x596mm
L06	369x596mm
L07	1086x596mm



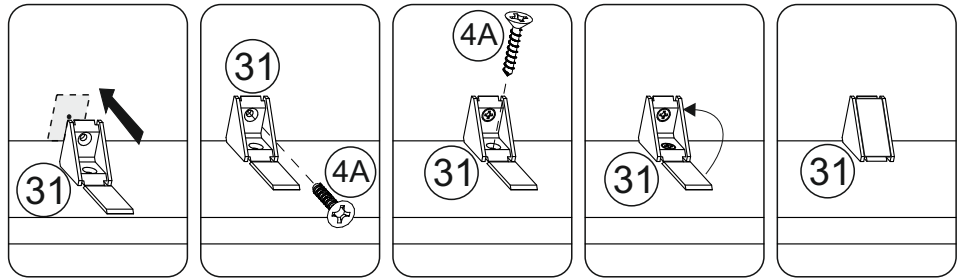
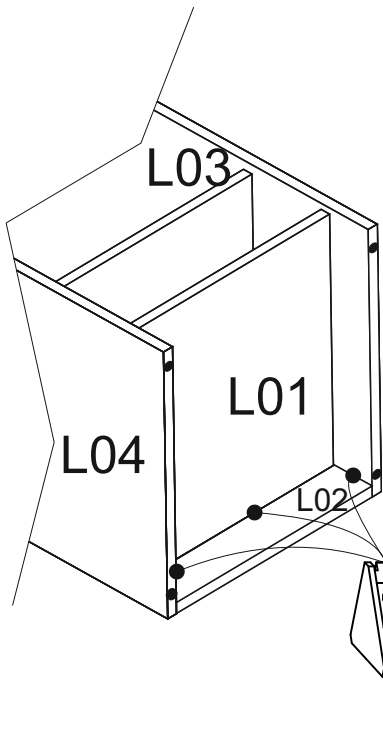
3



OPTION 6

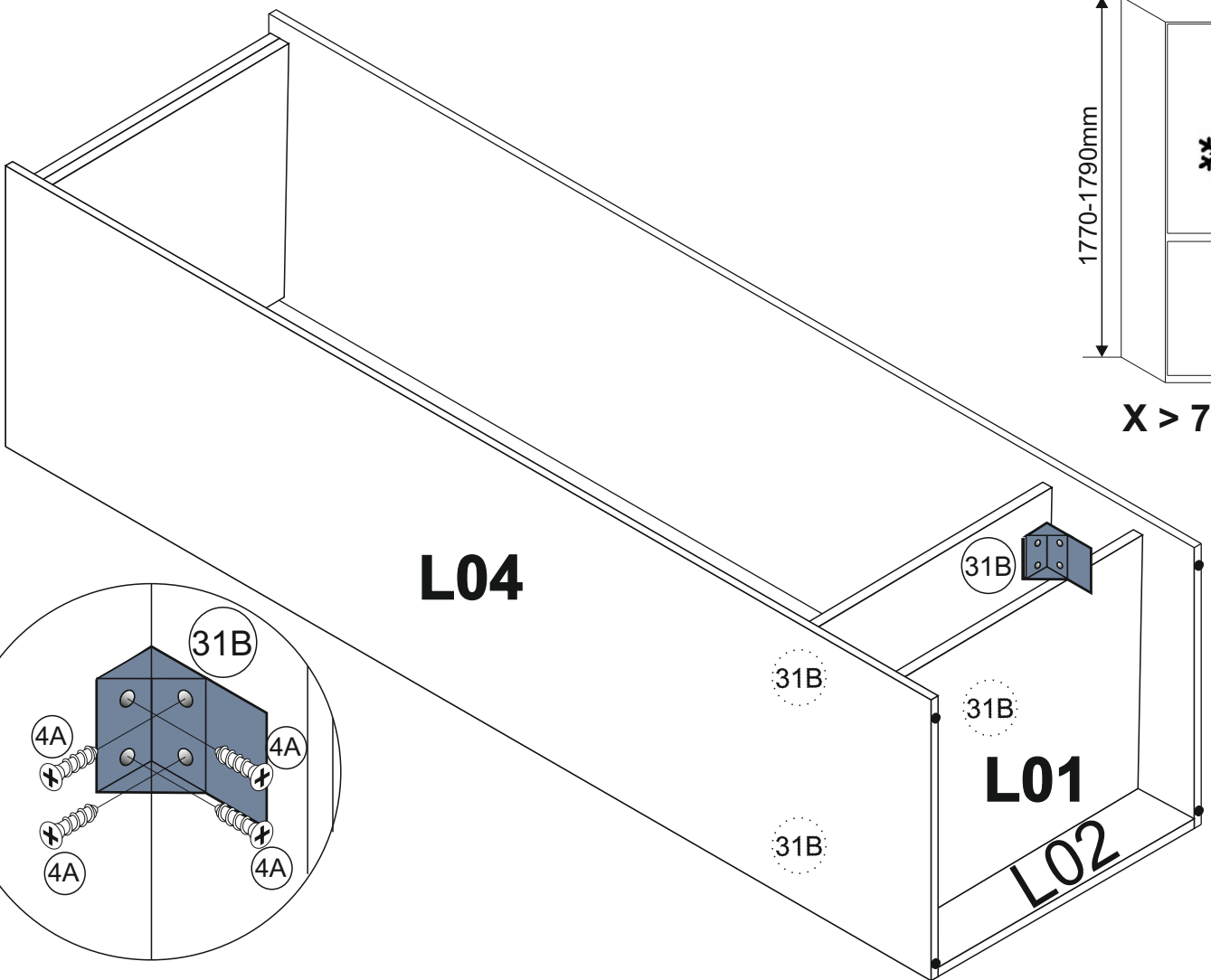


4

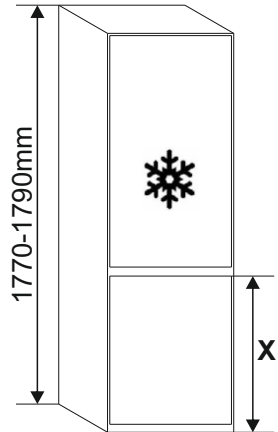


31 x3

5



OPTION 6



X > 718mm

6

OPTION 6

