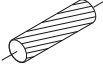
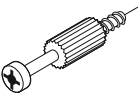


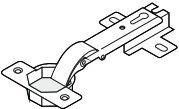



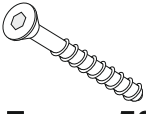



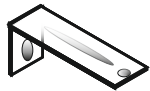
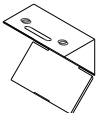


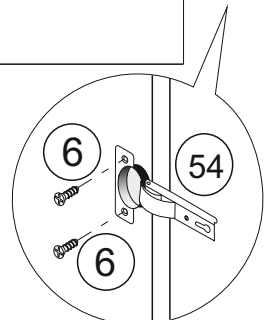
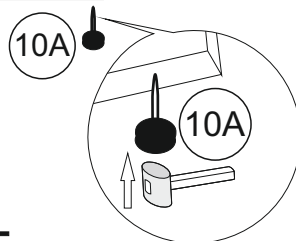
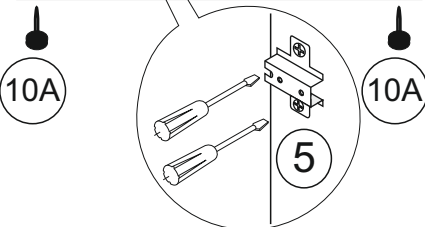
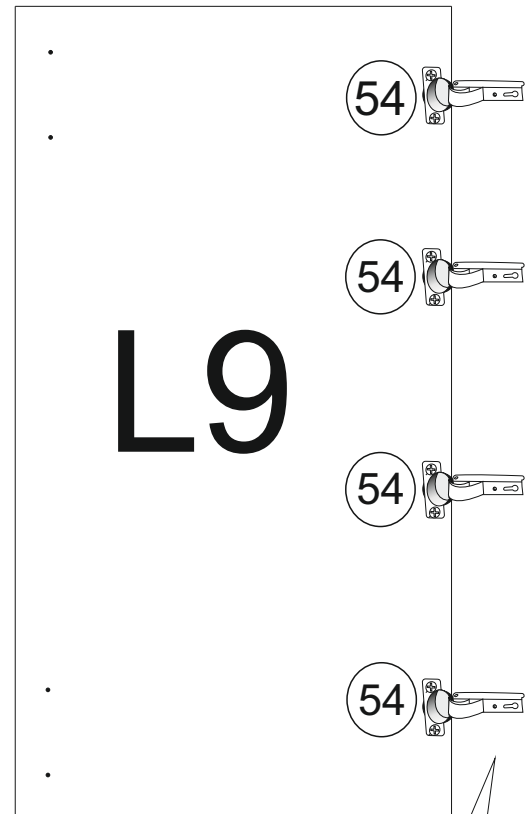
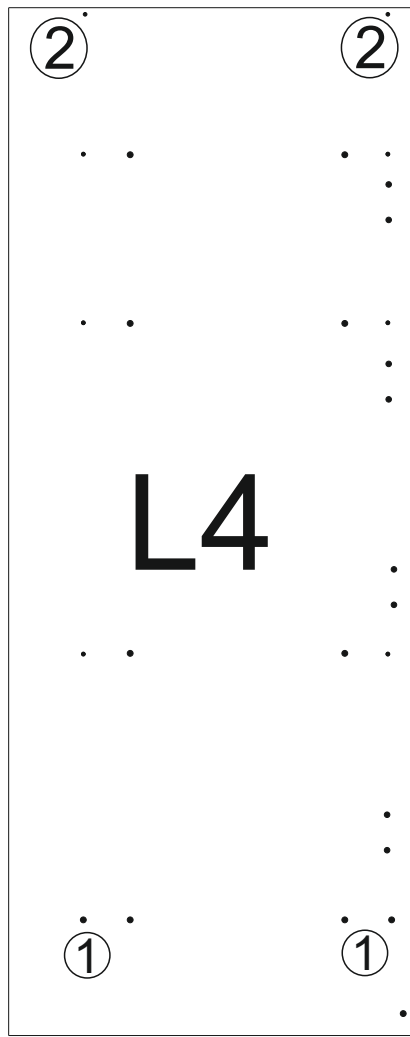
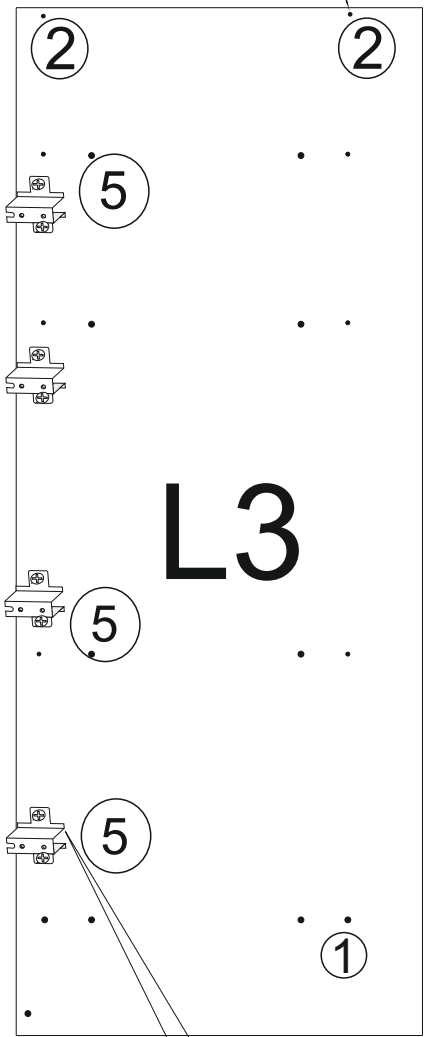
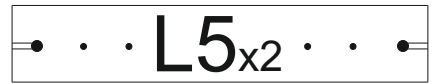
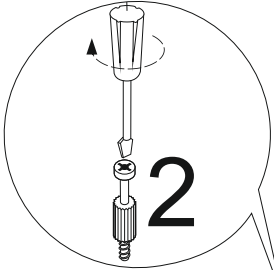
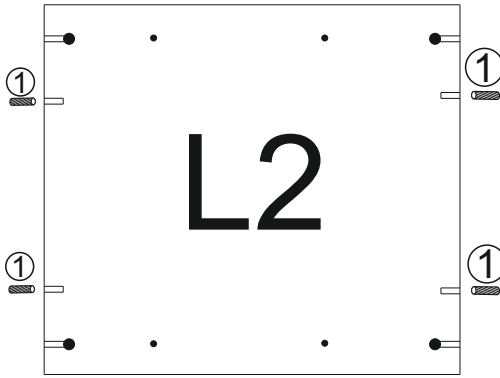
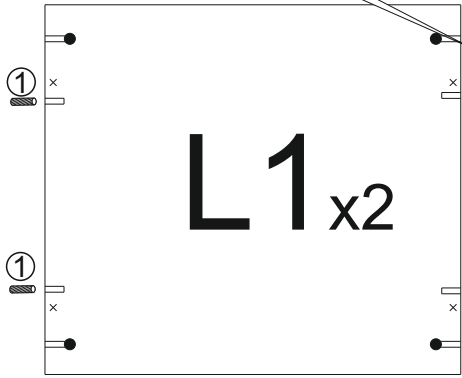
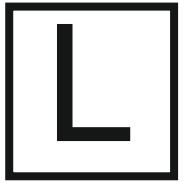
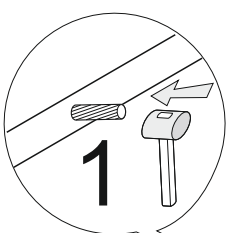
1		<u>x 12</u>
2		<u>x 16</u>
39		<u>x 20</u>
4A		<u>x 27</u>
54		<u>x 4</u>
6		<u>x 8</u>
86		<u>x 4</u>

31		<u>x 3</u>
3		<u>x 1</u>
26		<u>x 1</u>
9		<u>x 16</u>
9A		<u>x 16</u>
91		<u>x 2</u>
4		<u>x 2</u>

22		<u>x 8</u>
22A		<u>x 8</u>
21		<u>x 6</u>
10A		<u>x 4</u>
41		<u>x 1</u>
31B		<u>x 4</u>

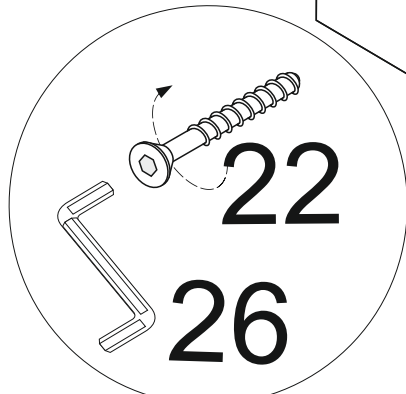
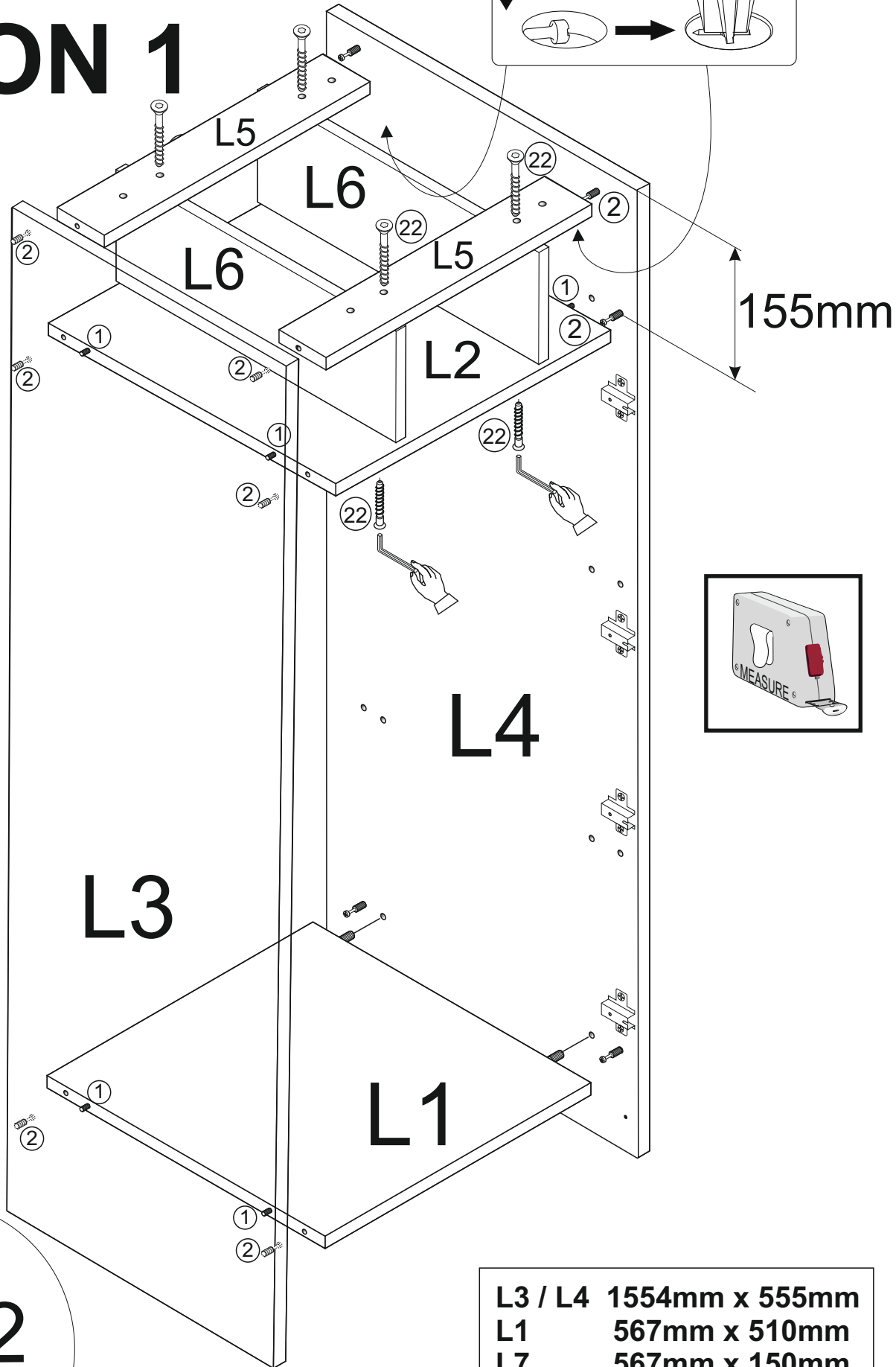


**I**



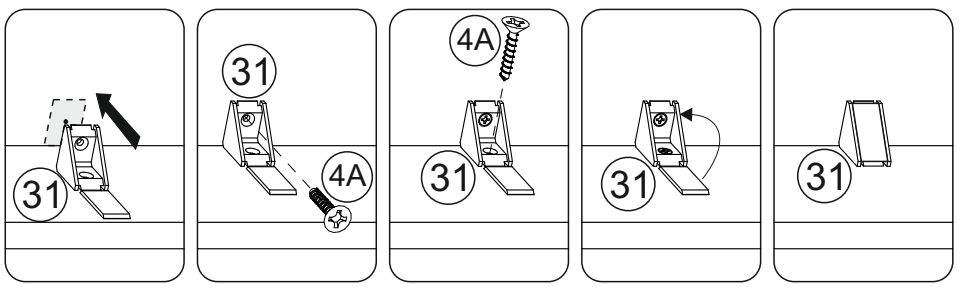
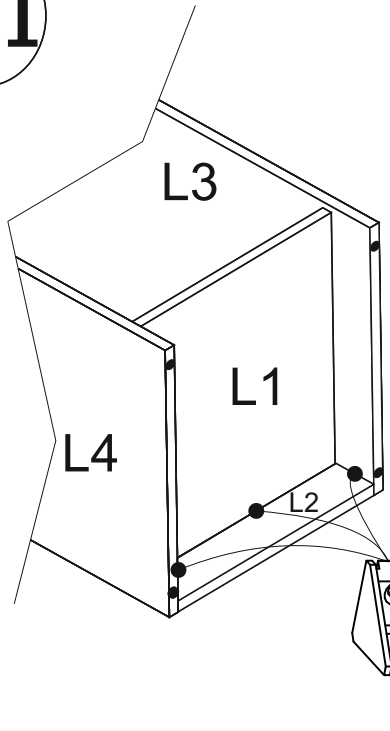
# II

## OPTION 1

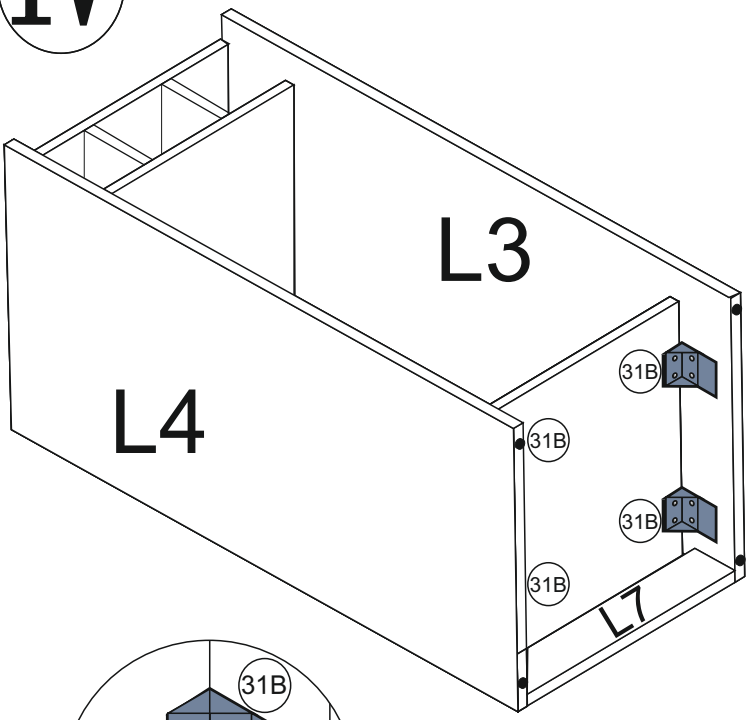


L3 / L4	1554mm x 555mm
L1	567mm x 510mm
L7	567mm x 150mm
L2	567mm x 458mm
L6	458mm x 130mm
L5	567mm x 74mm

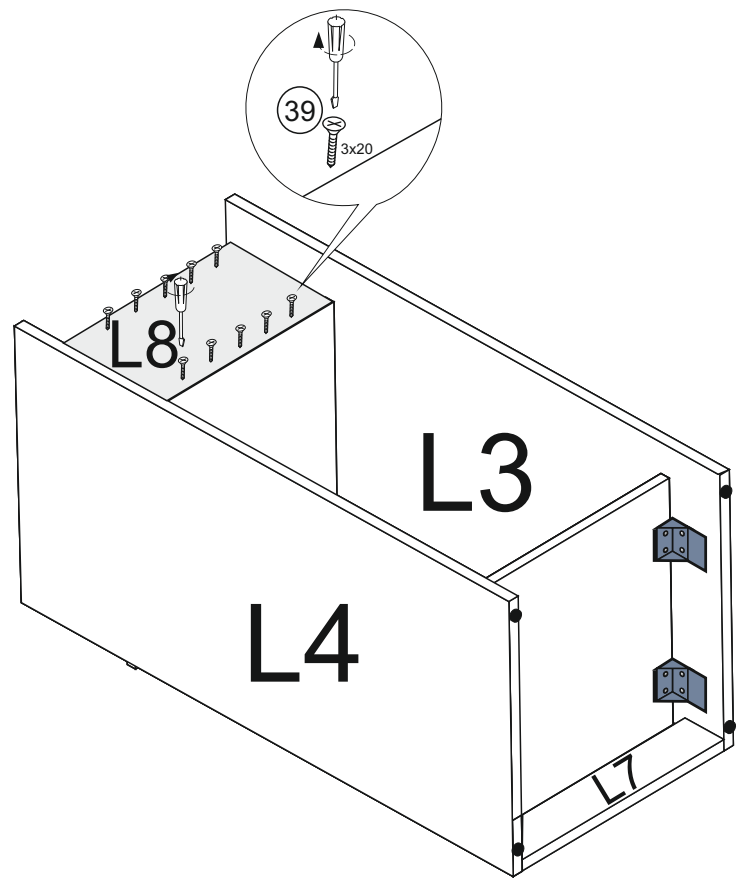
# III



# IV



# V

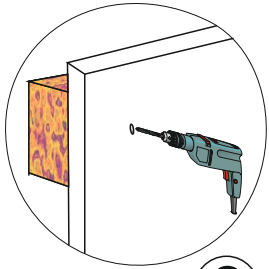


**L8 160x566mm**

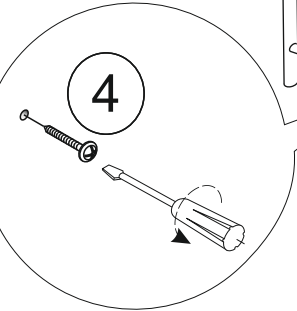
VI



L9 1254x596mm



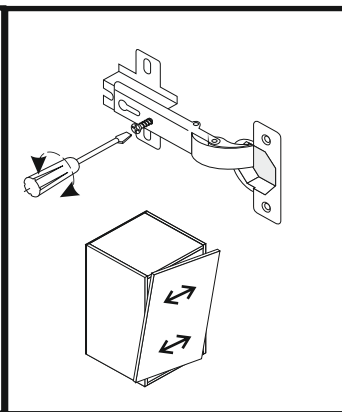
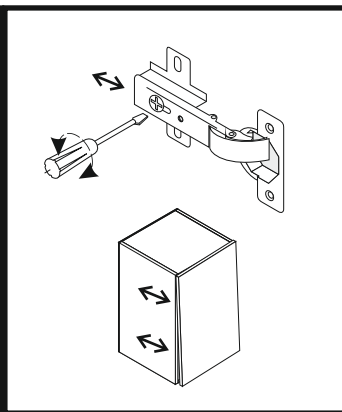
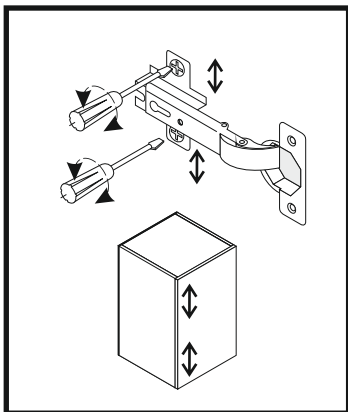
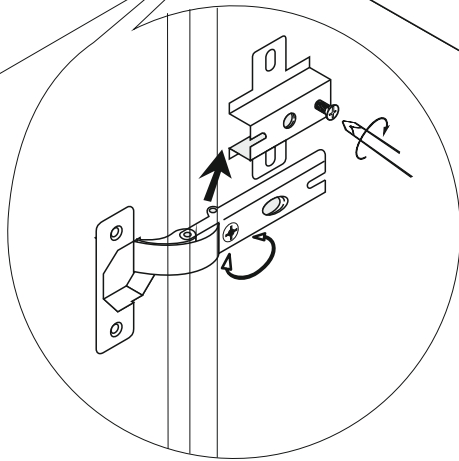
3



4

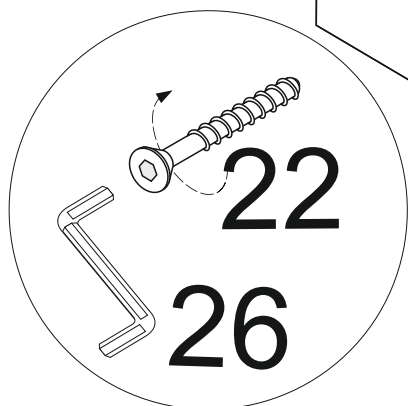
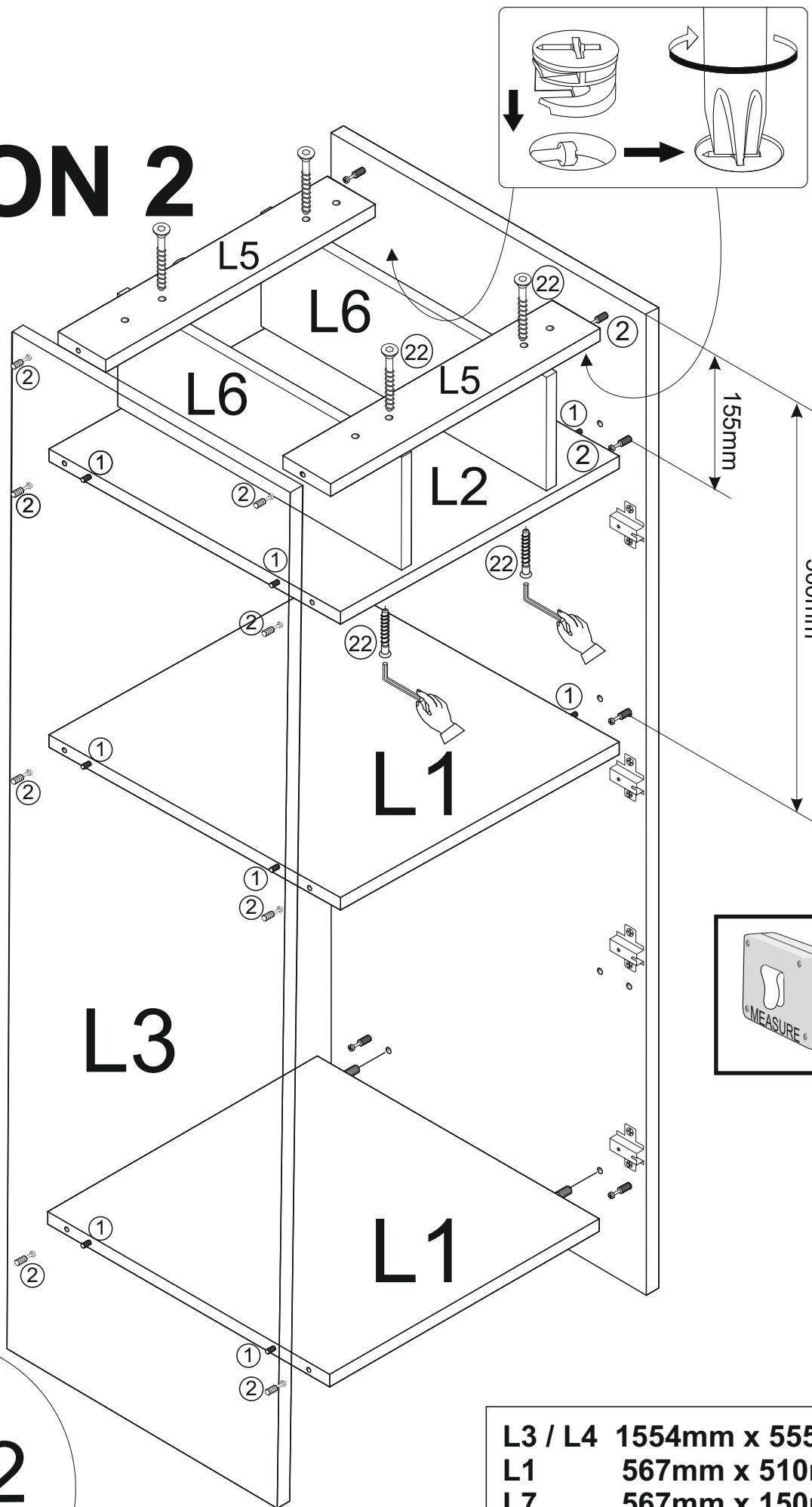
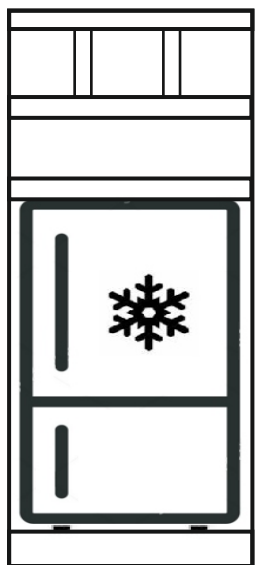
4

L9



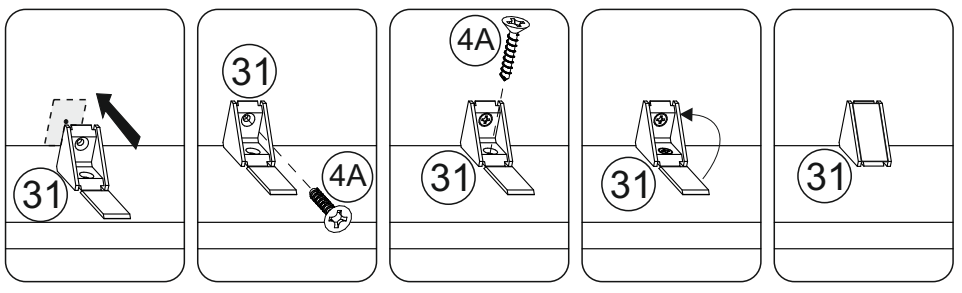
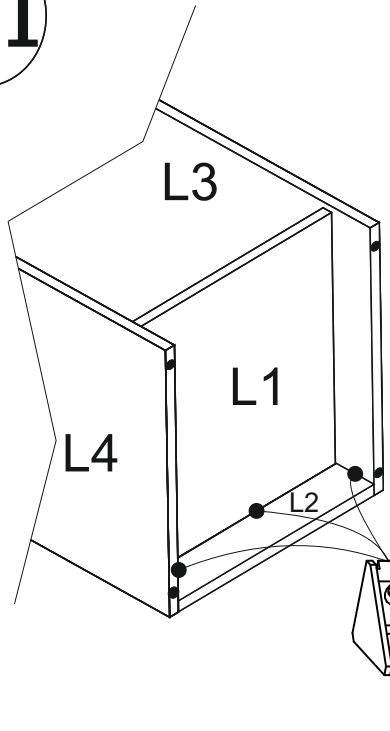
# II

## OPTION 2

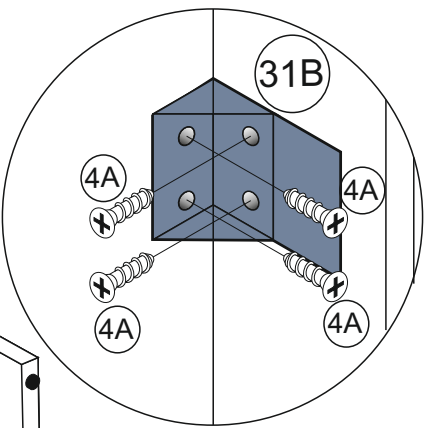
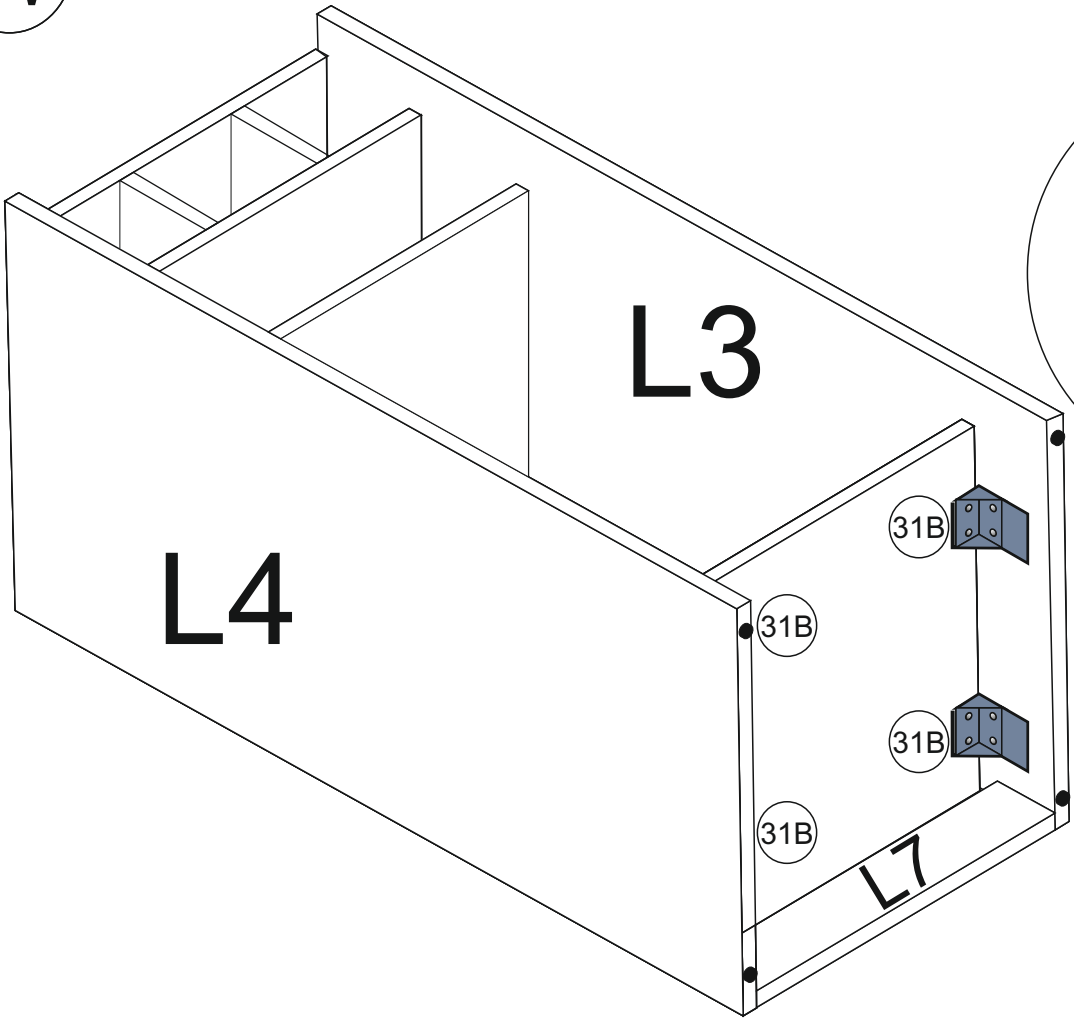


L3 / L4	1554mm x 555mm
L1	567mm x 510mm
L7	567mm x 150mm
L2	567mm x 458mm
L6	458mm x 130mm
L5	567mm x 74mm

# III

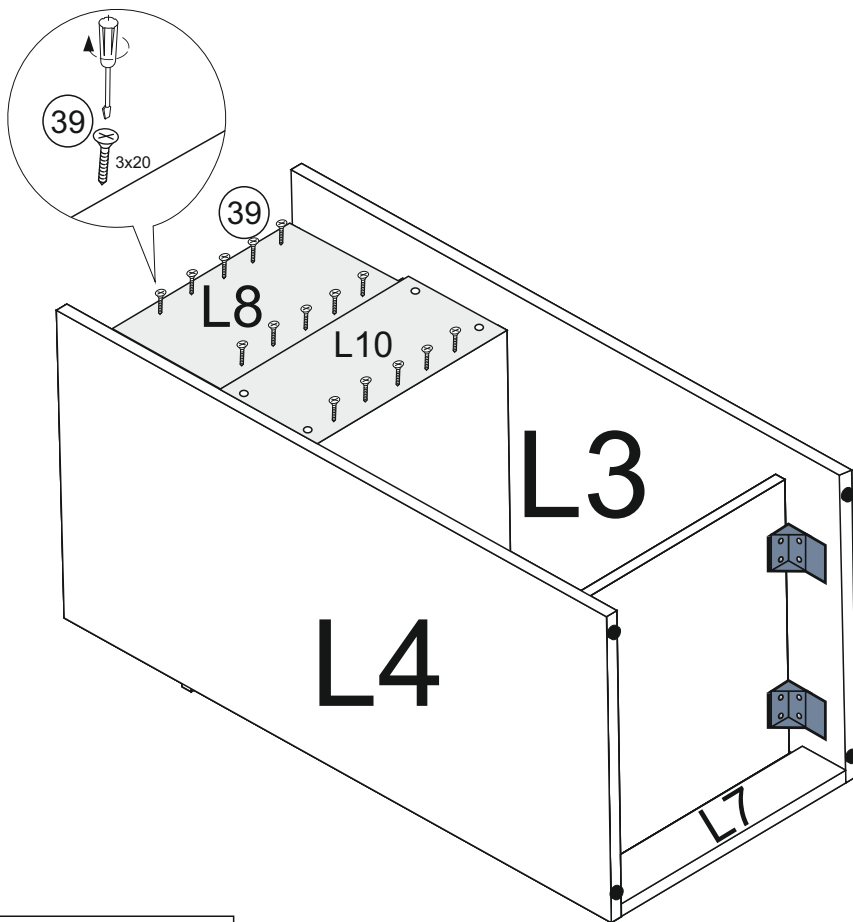


# IV

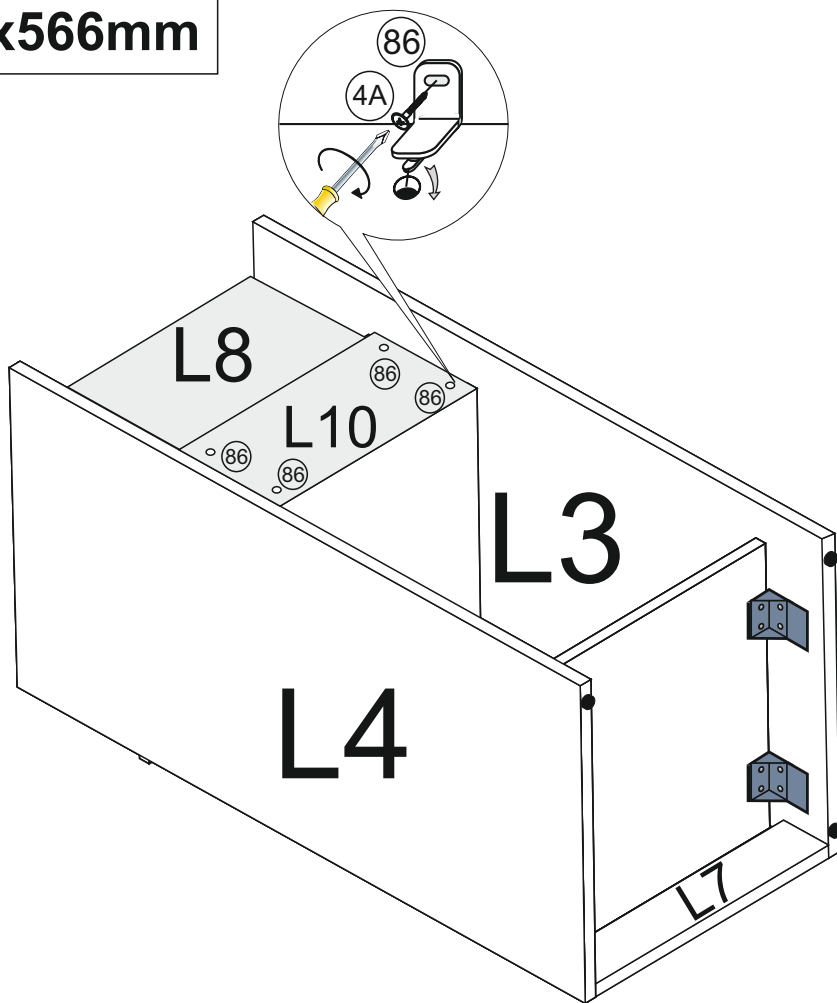




V



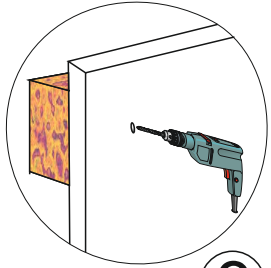
L8 160x566mm  
L10 352x566mm



VI

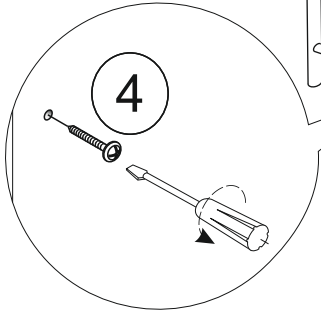


L9 1254x596mm



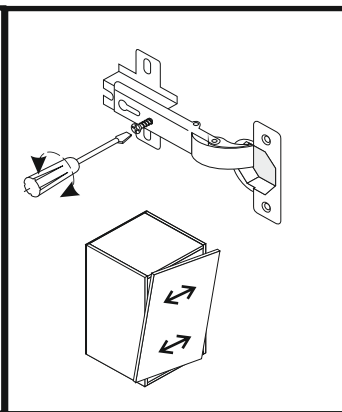
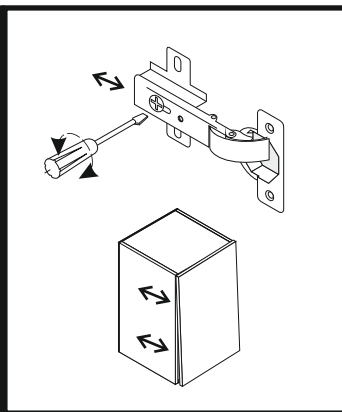
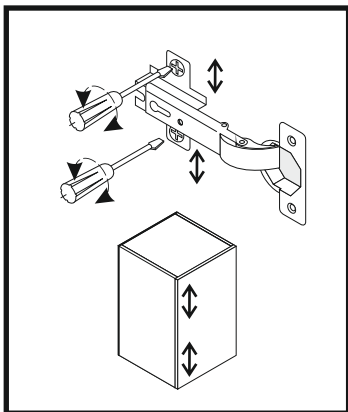
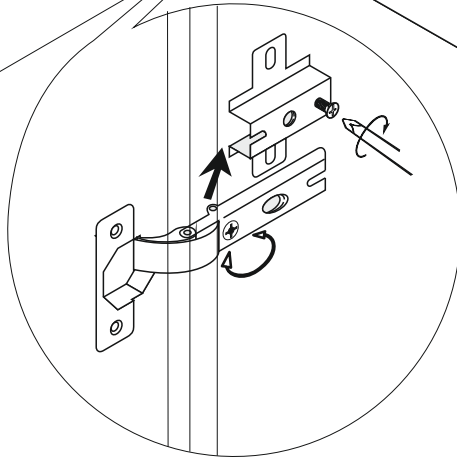
3

4



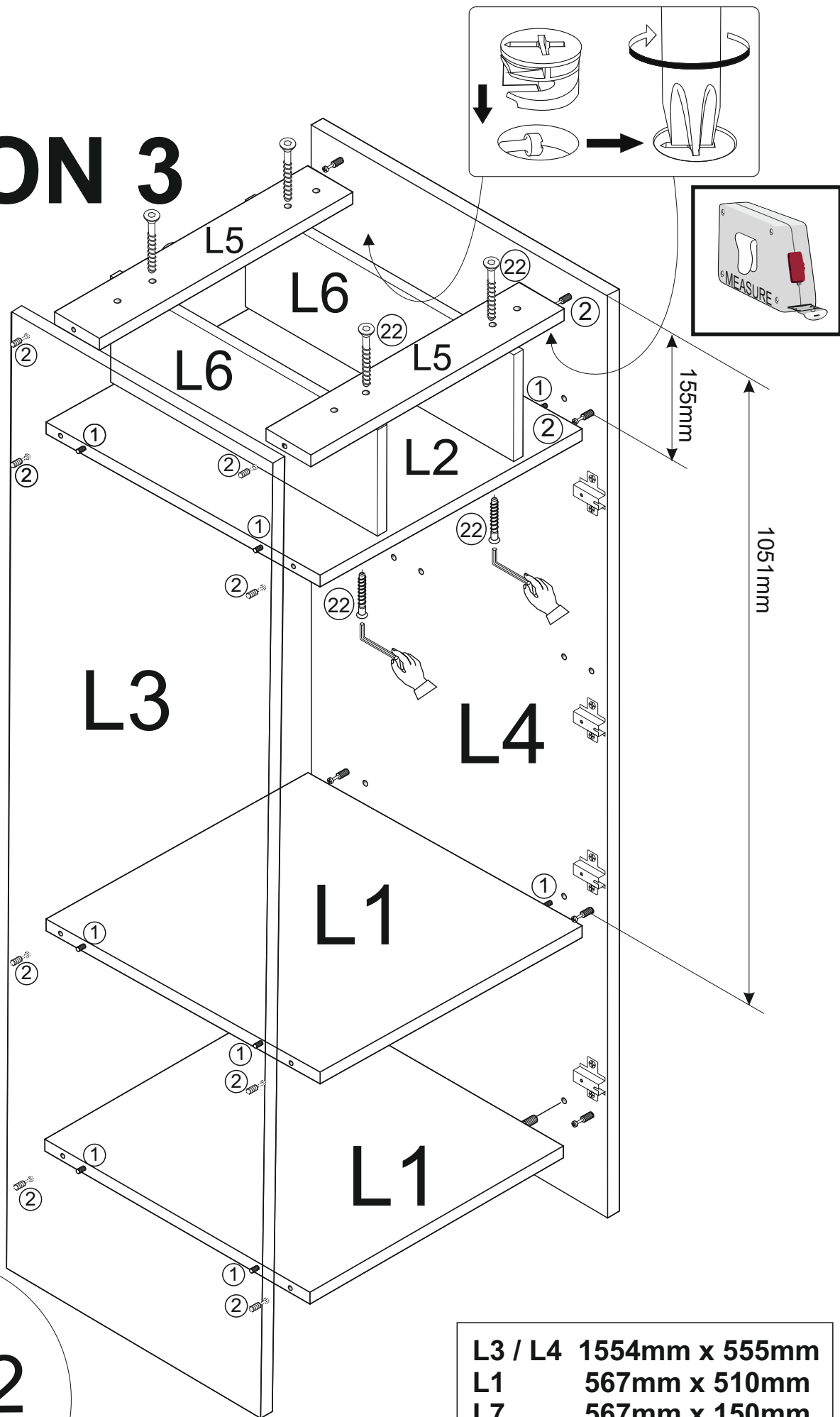
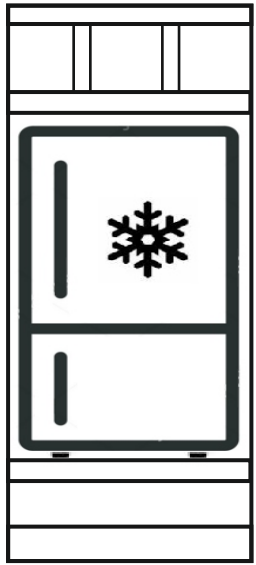
4

L9



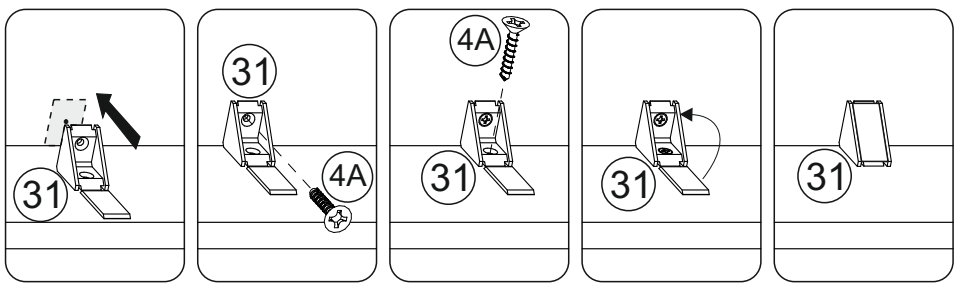
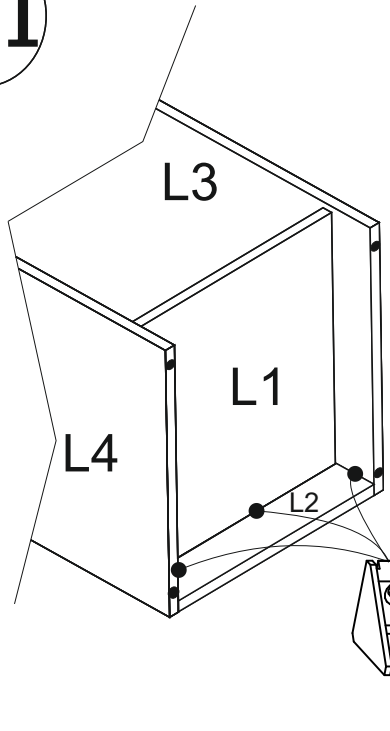
# II

## OPTION 3

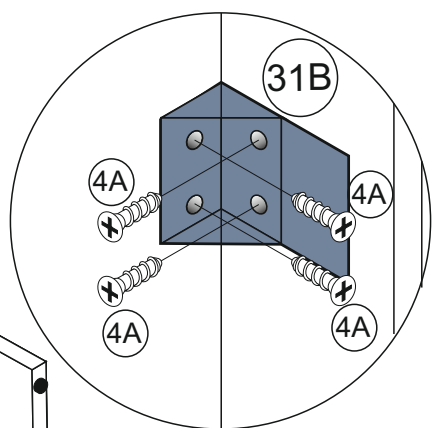
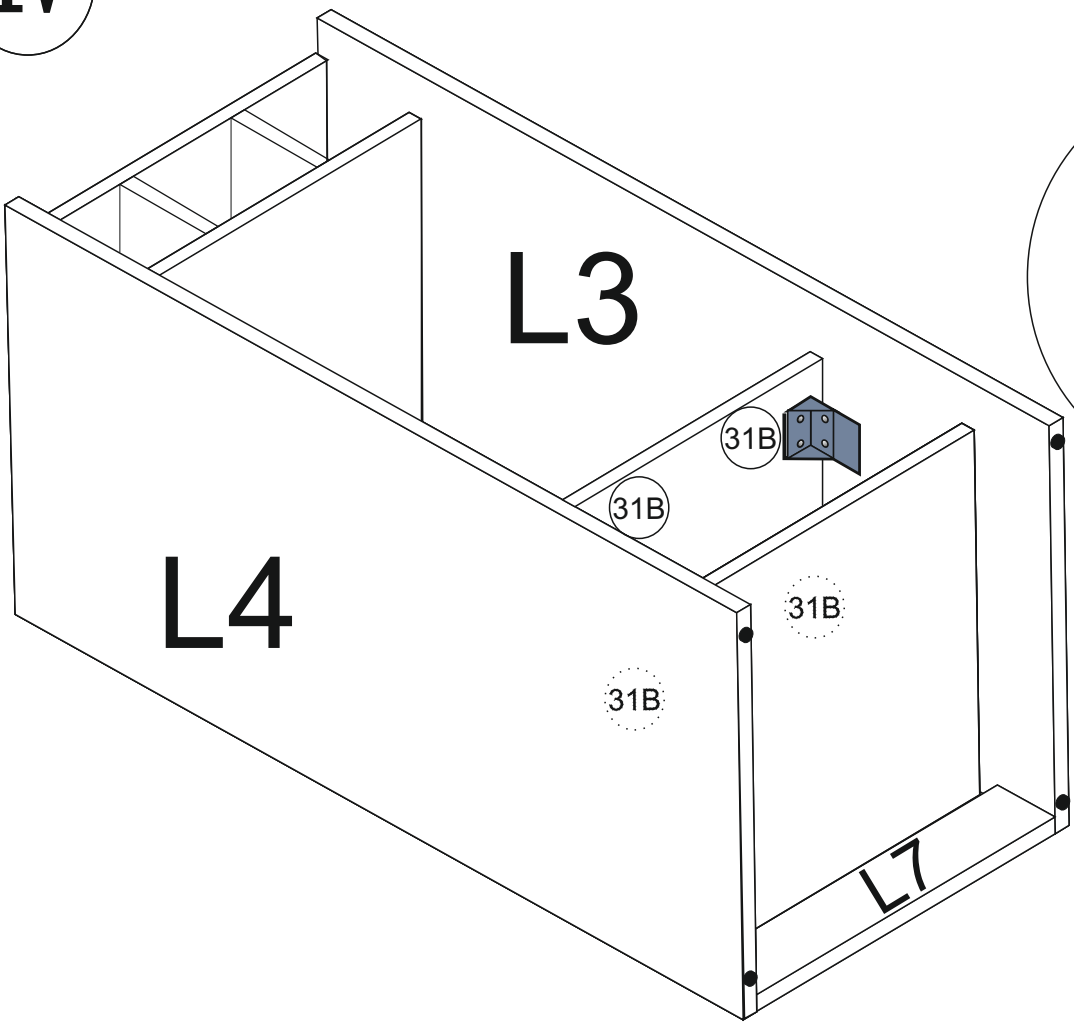


L3 / L4	1554mm x 555mm
L1	567mm x 510mm
L7	567mm x 150mm
L2	567mm x 458mm
L6	458mm x 130mm
L5	567mm x 74mm

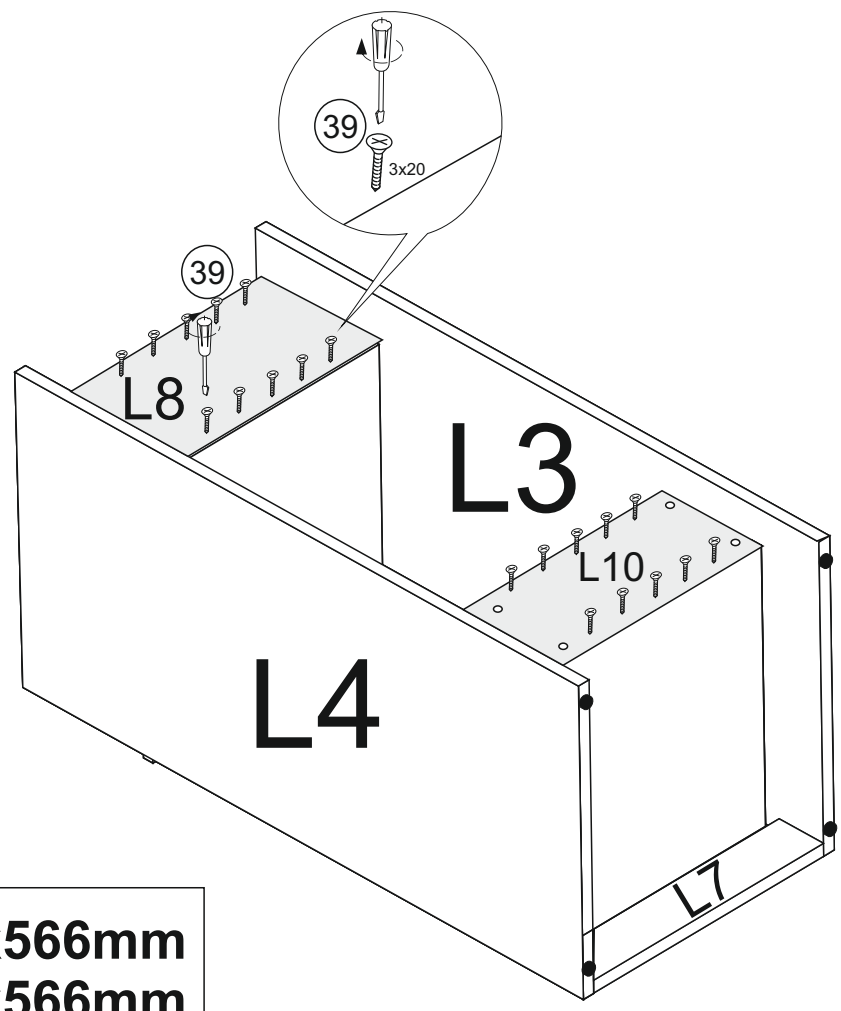
# III



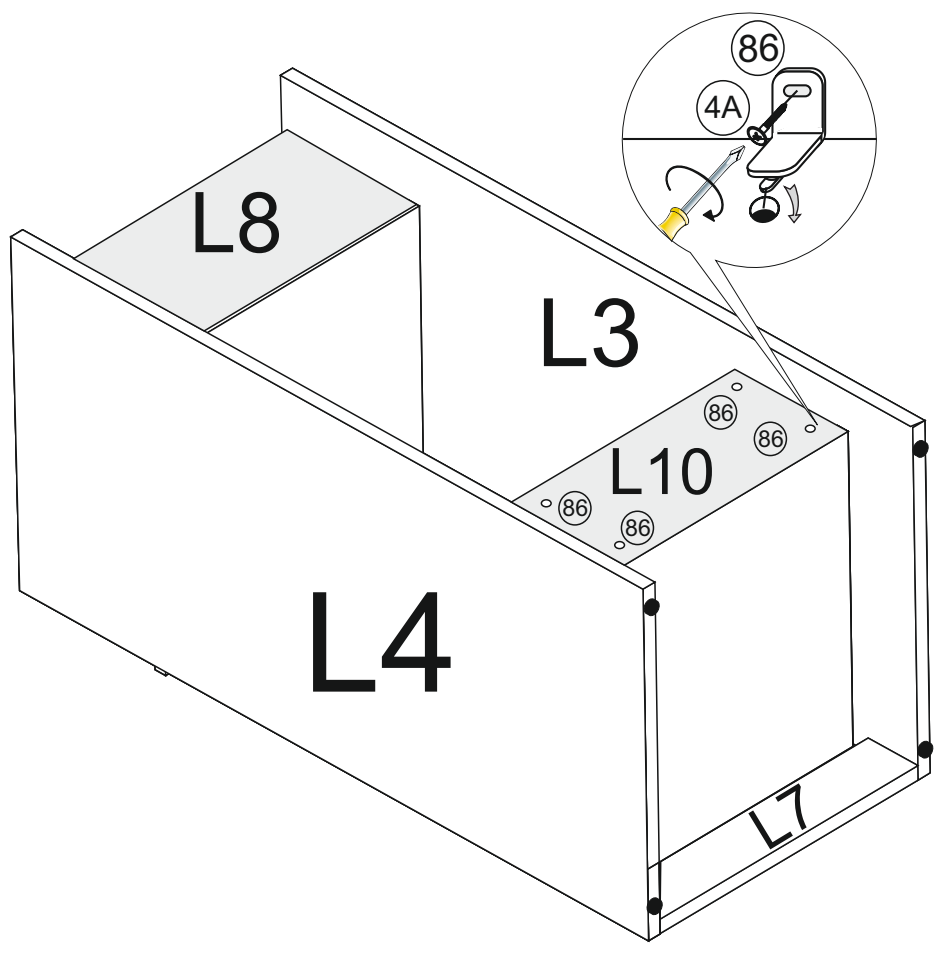
# IV



V



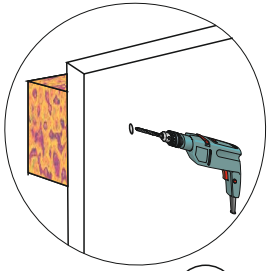
L8 160x566mm  
L10 352x566mm



VI

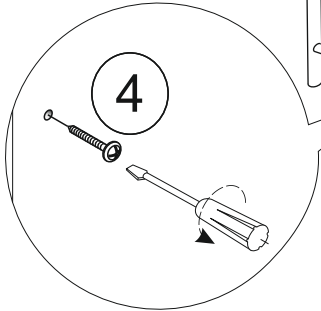


**L9 1254x596mm**



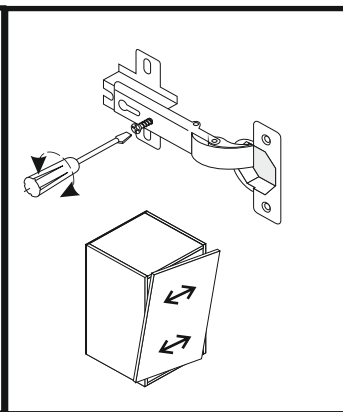
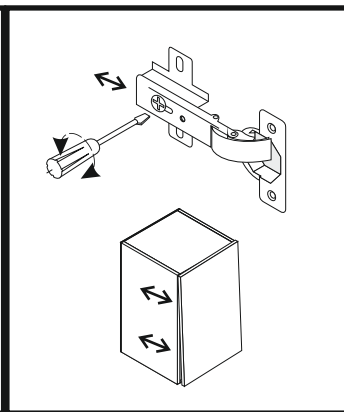
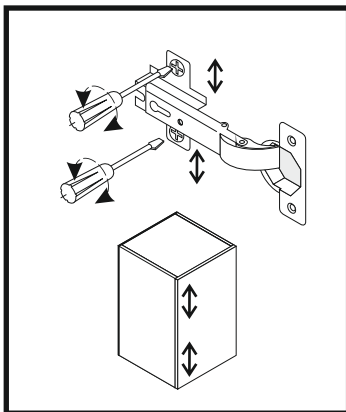
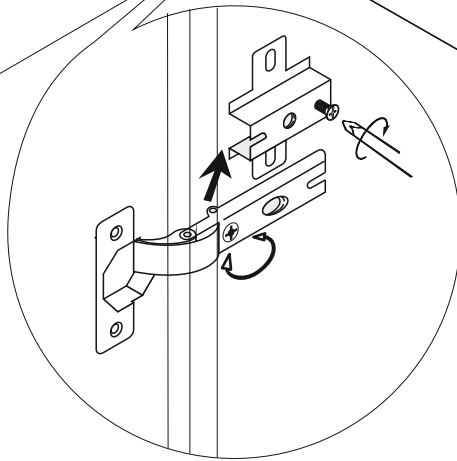
3

4

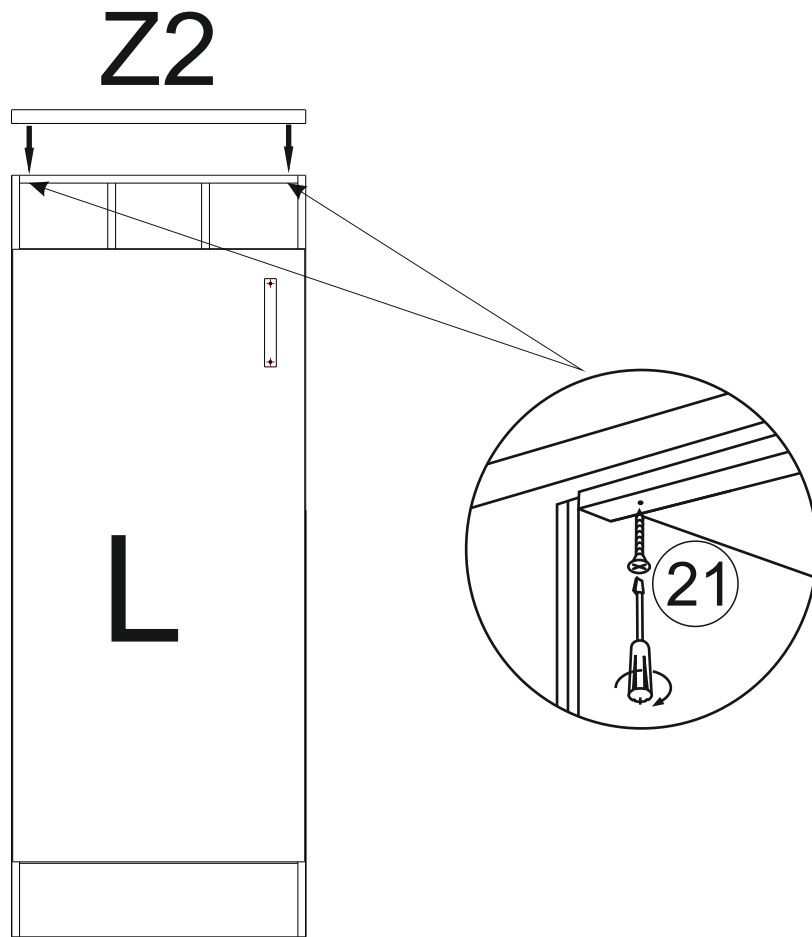


4

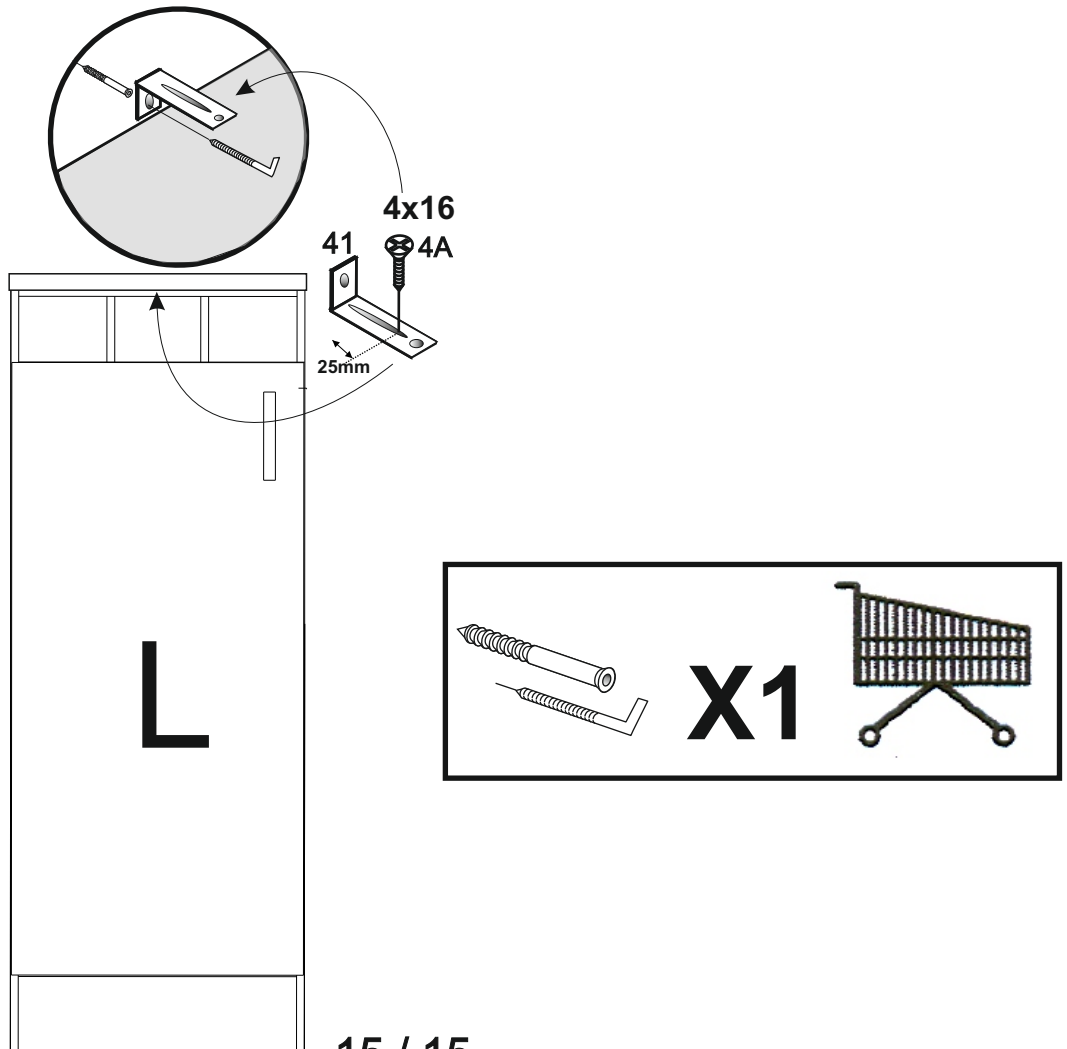
L9



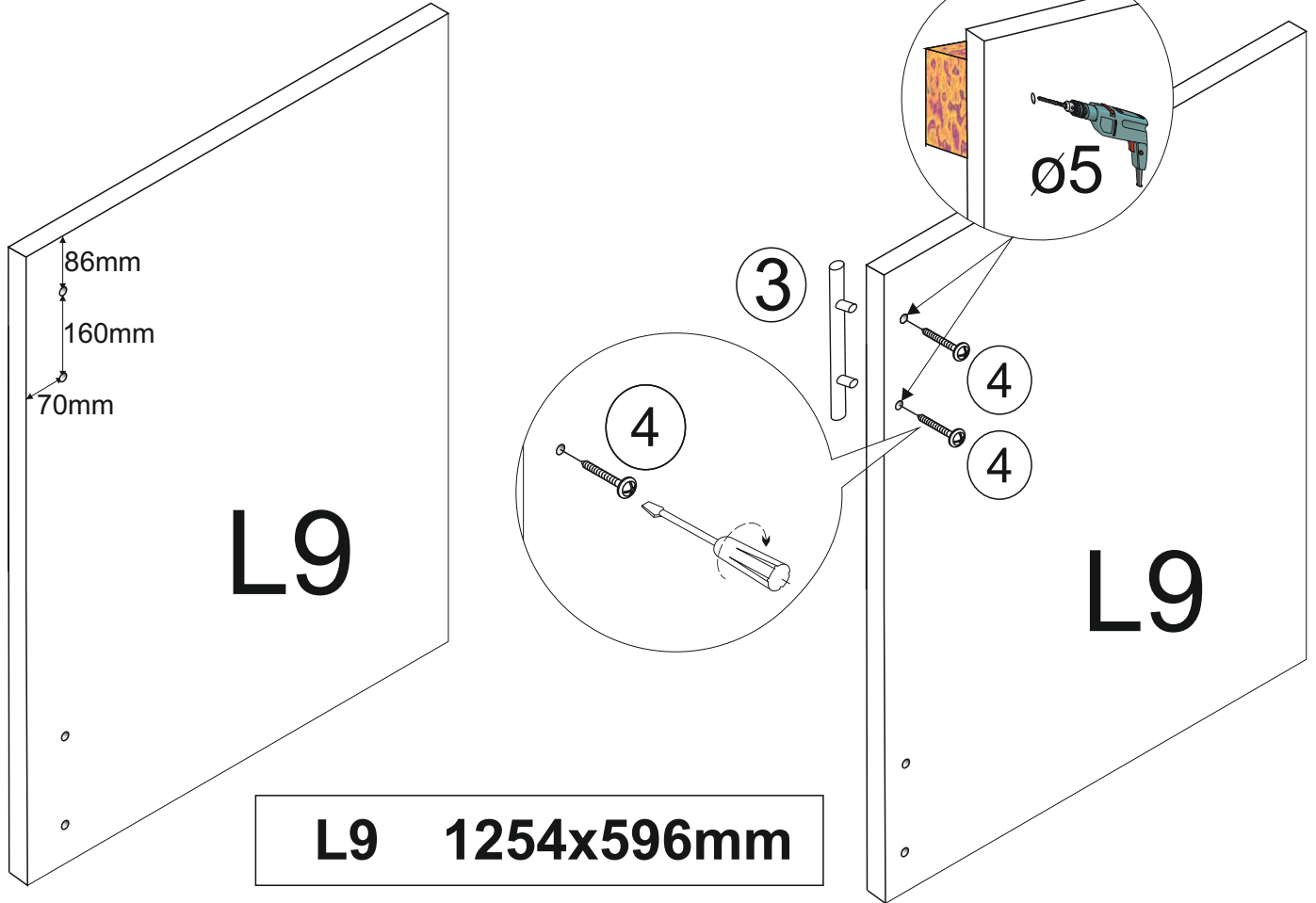
I



II



# VERTICAL



# HORIZONTAL

