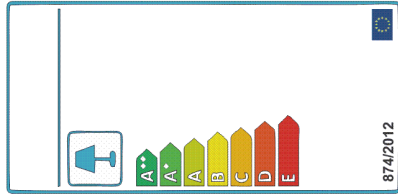
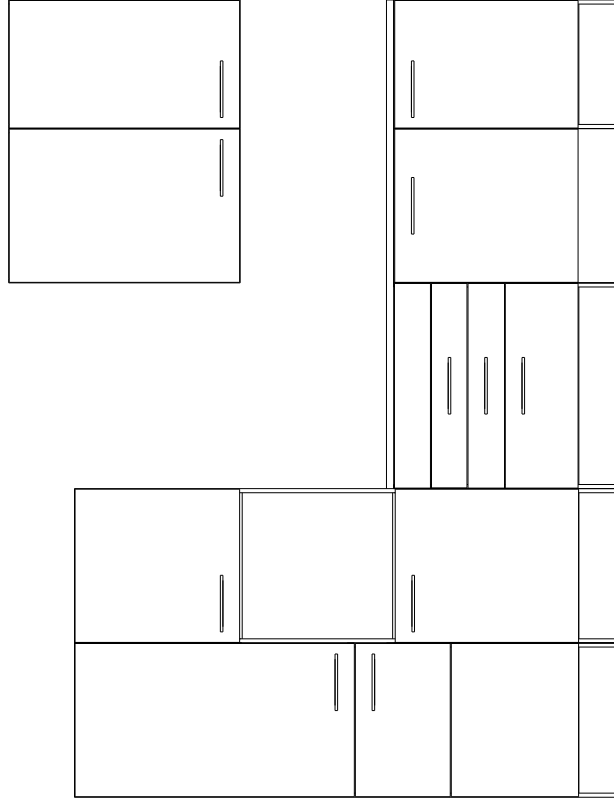


LAUREL

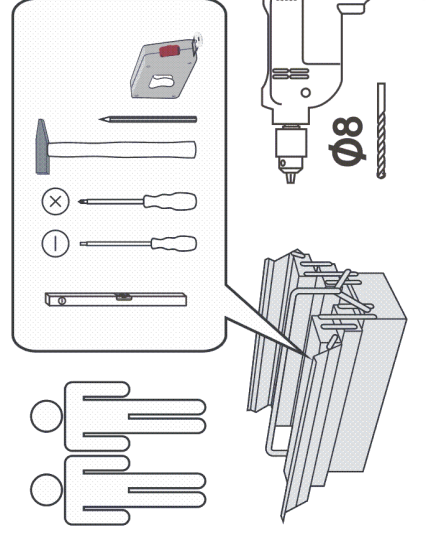
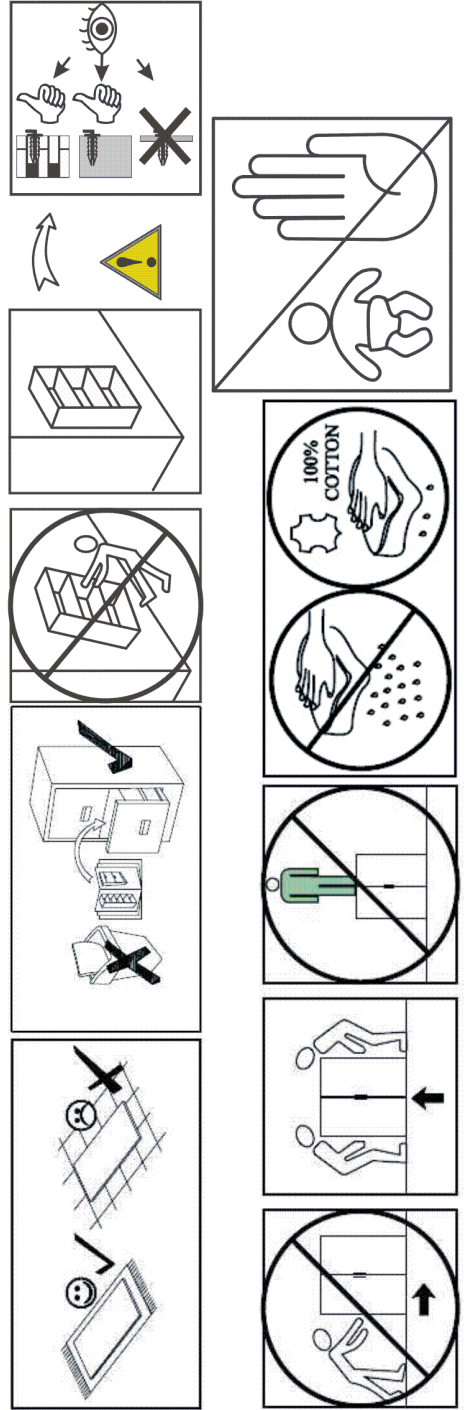
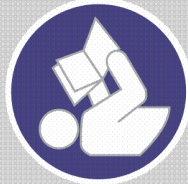
<http://www.bega-gruppe.de>

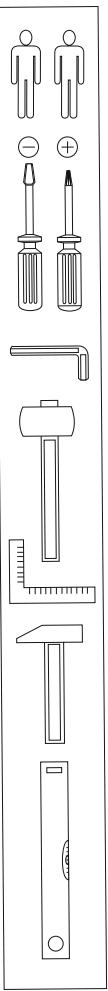


BG	Bulgarisch
CS	Tschechisch
DA	Dänisch
DE	Deutsch
ET	Eströisch
EL	Griechisch
EN	Englisch
ES	Spanisch
FR	Französisch
FI	Finnisch
HR	Kroatisch
HU	Ungarisch
IT	Italienisch
LV	Lettisch
LT	Litauisch
NL	Niederländisch
PL	Polnisch
PT	Portugiesisch
RO	Rumänisch
SK	Slowakisch
SL	Slowenisch
SV	Schwedisch

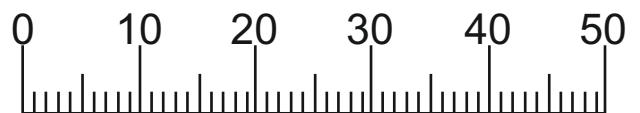


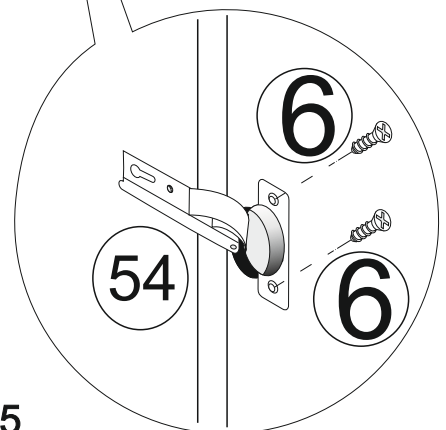
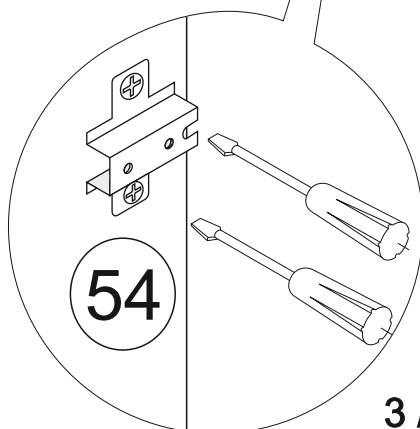
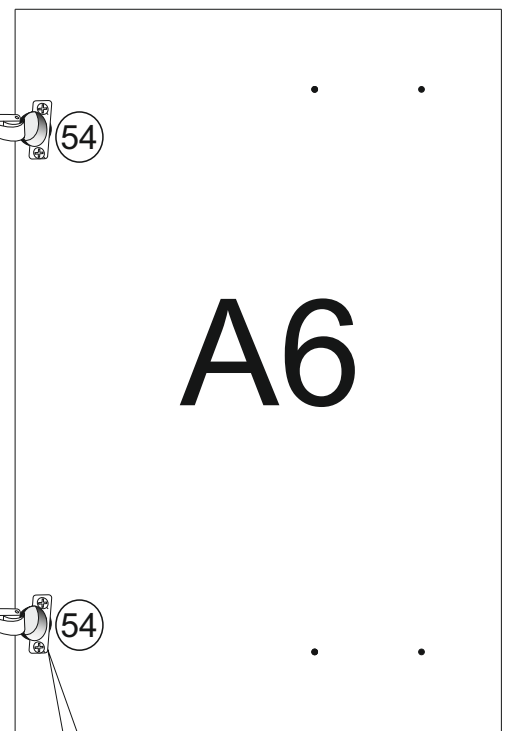
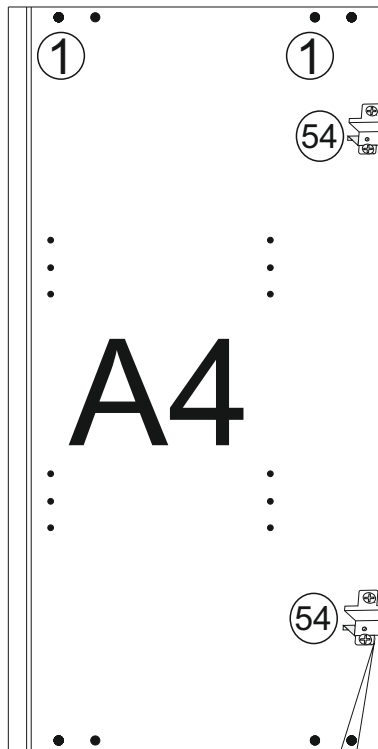
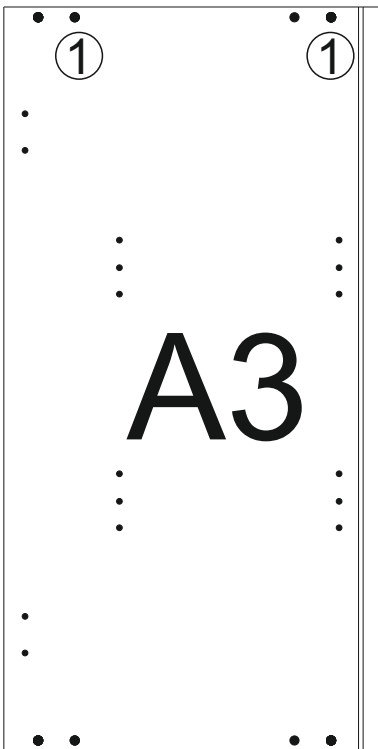
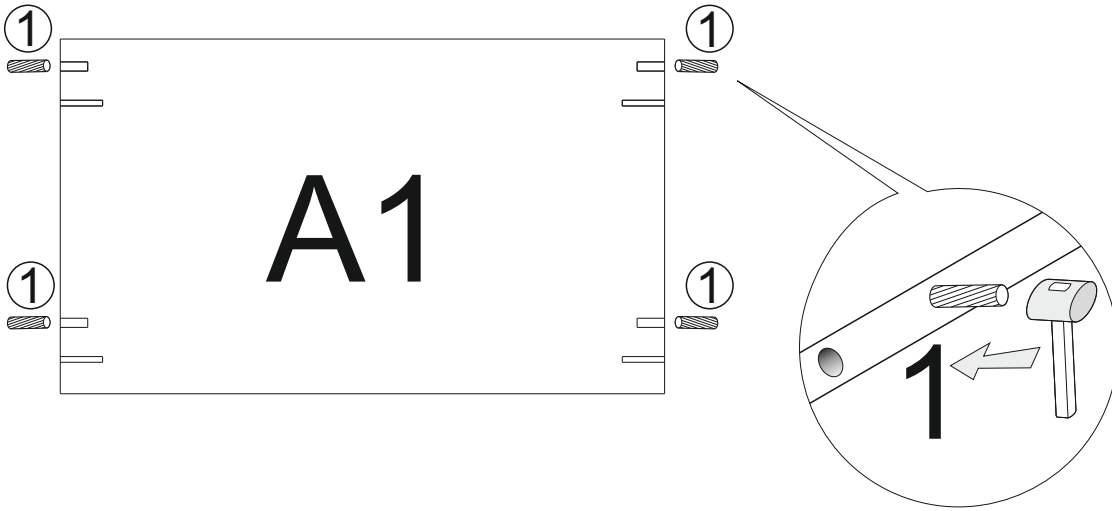
360 min





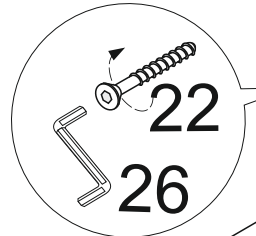
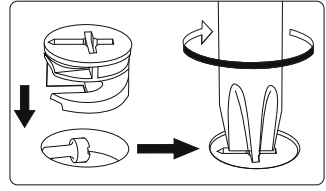
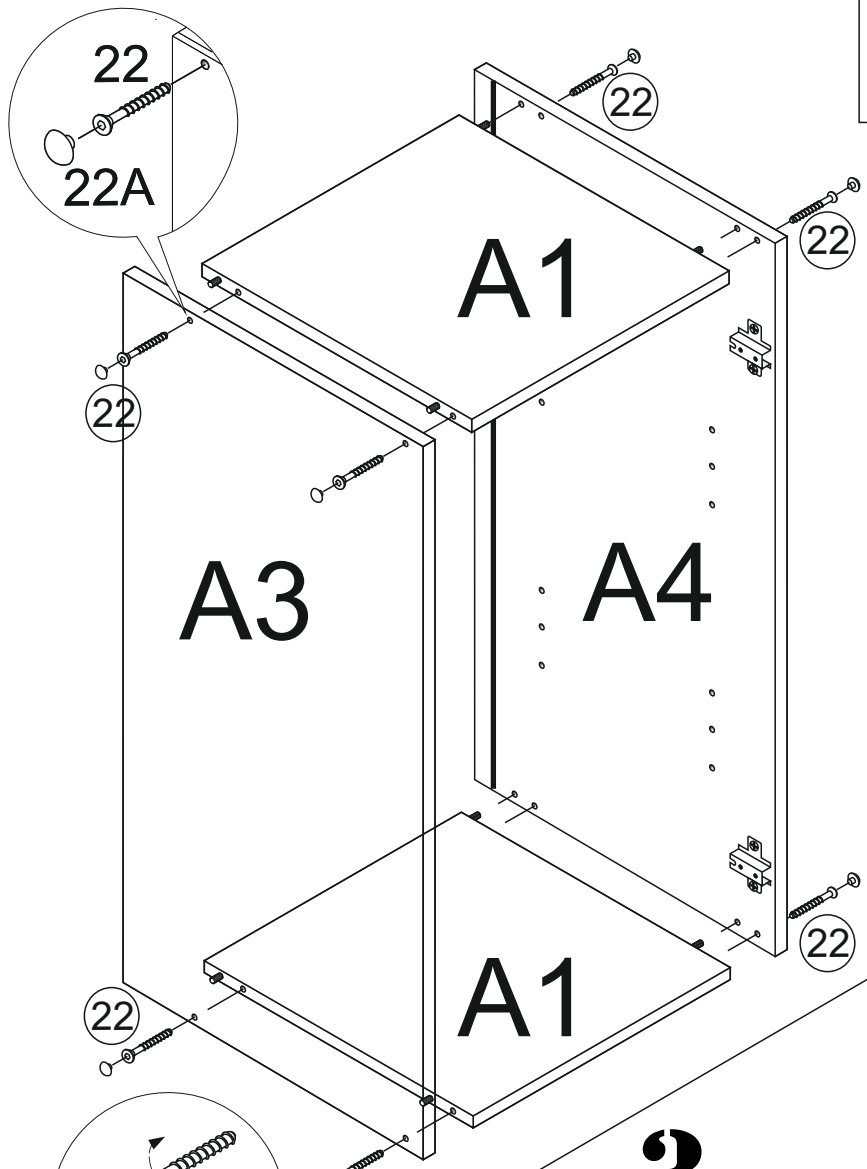
1	x76	2	x48	3	x12	48	x24 M4	4A	x78 4x16
6	x46 5x11EU	9	x40	9A	x40	10A	x16	13	x28
17	x2	18	x2	21	x16 4x30	22	x32	22A	x32
24	x8	26	x1	31	x20	31B	x4	37	x3 400mm
38	x32	39	x115 3x20	41	x2 35mm	54	x17	86	x14
42	x2	11	x24 3.5x13	91	x1	92A	x3	92B	x3
85A	x2	85B	x2						



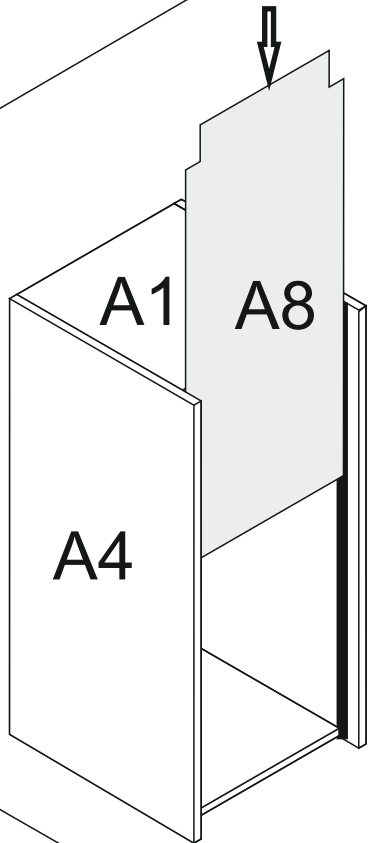


2

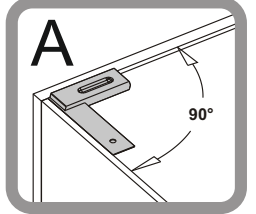
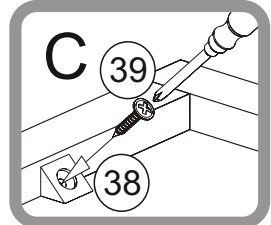
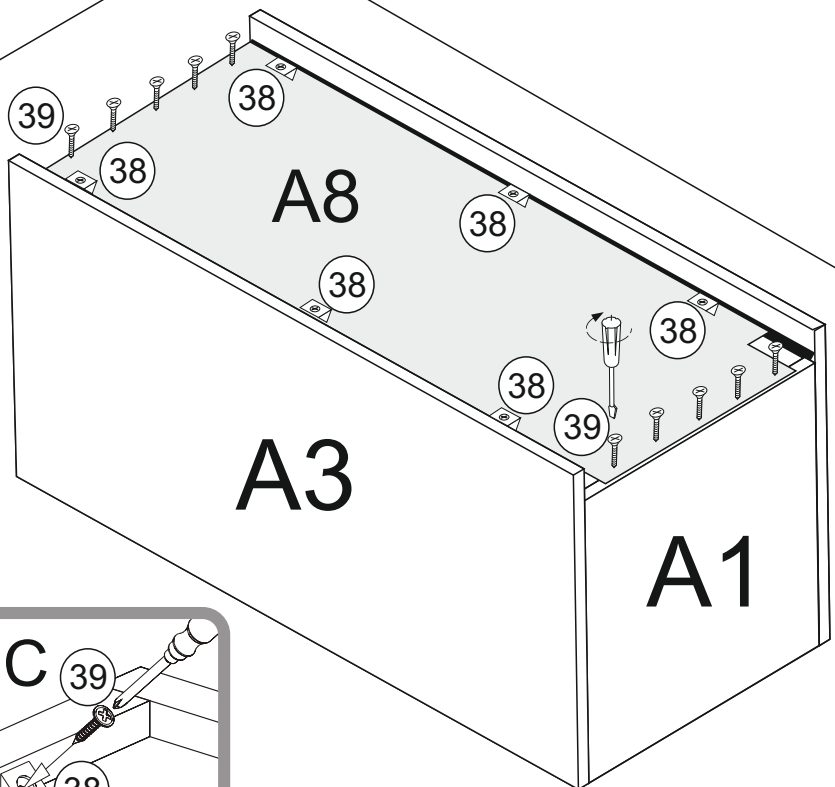
A3/ A4	900mm x 330mm
A1	467mm x 310mm
A8	895mm x 477mm



3

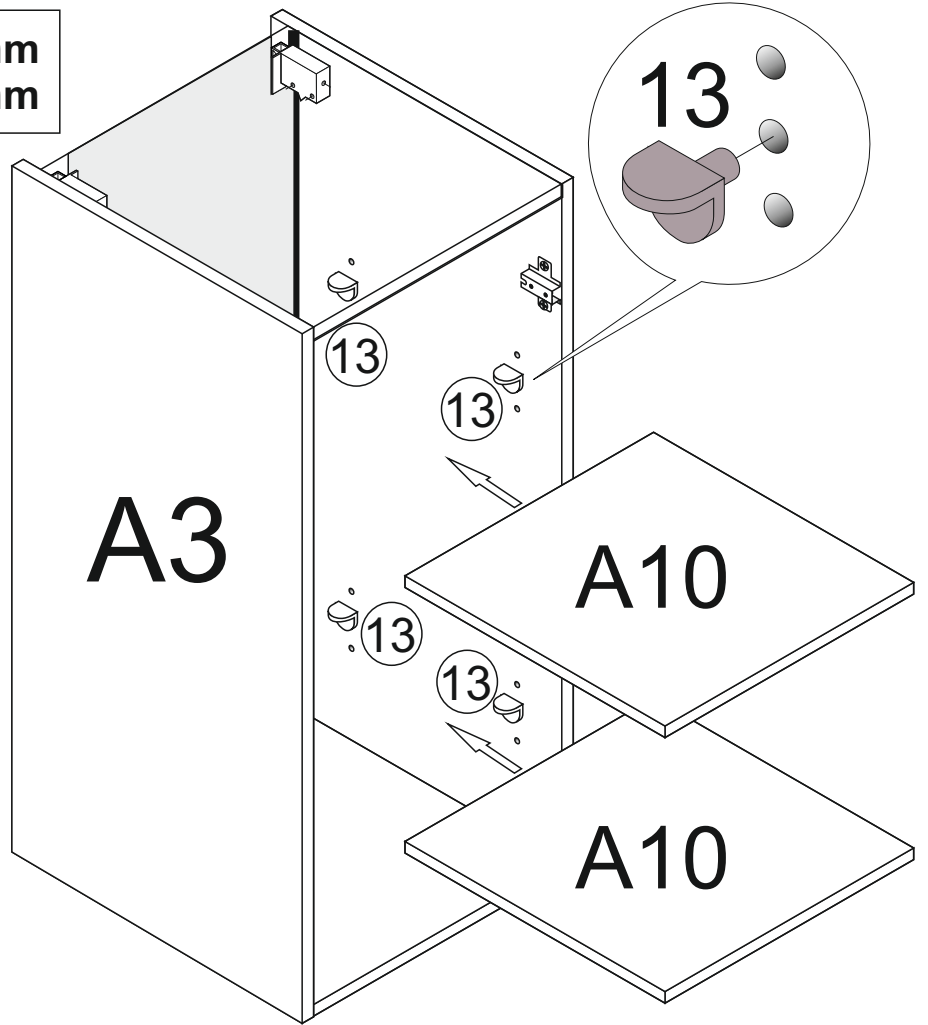
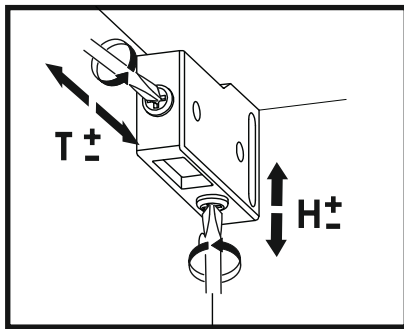
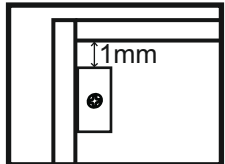
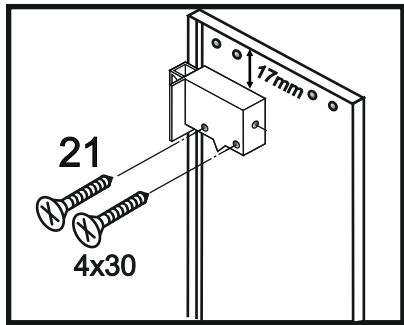


4

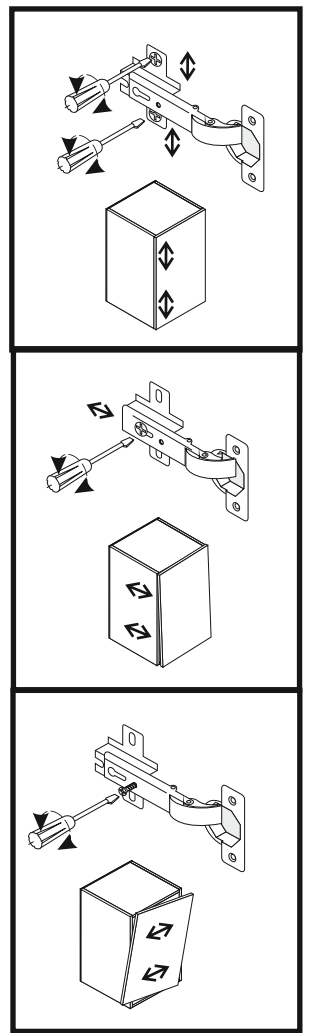
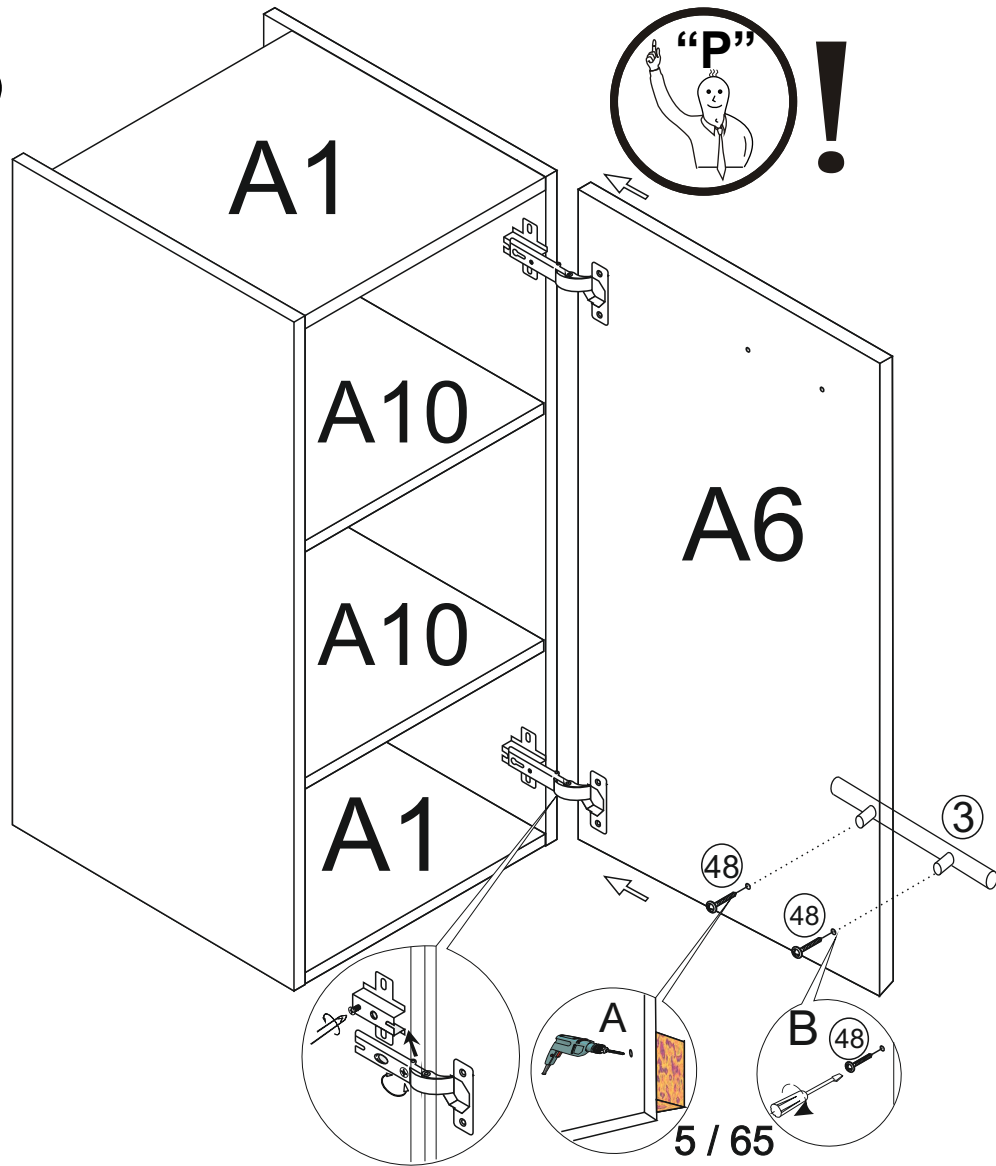
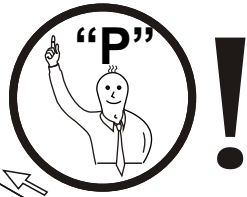


5

A6 896mm x 496mm
A10 467mm x 246mm

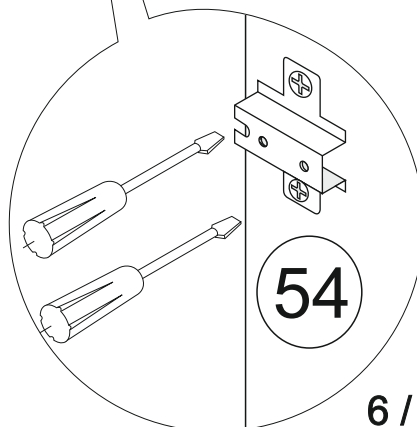
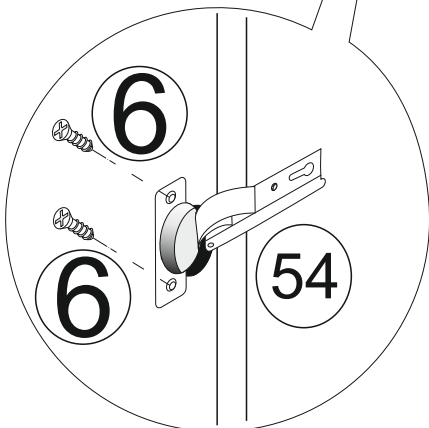
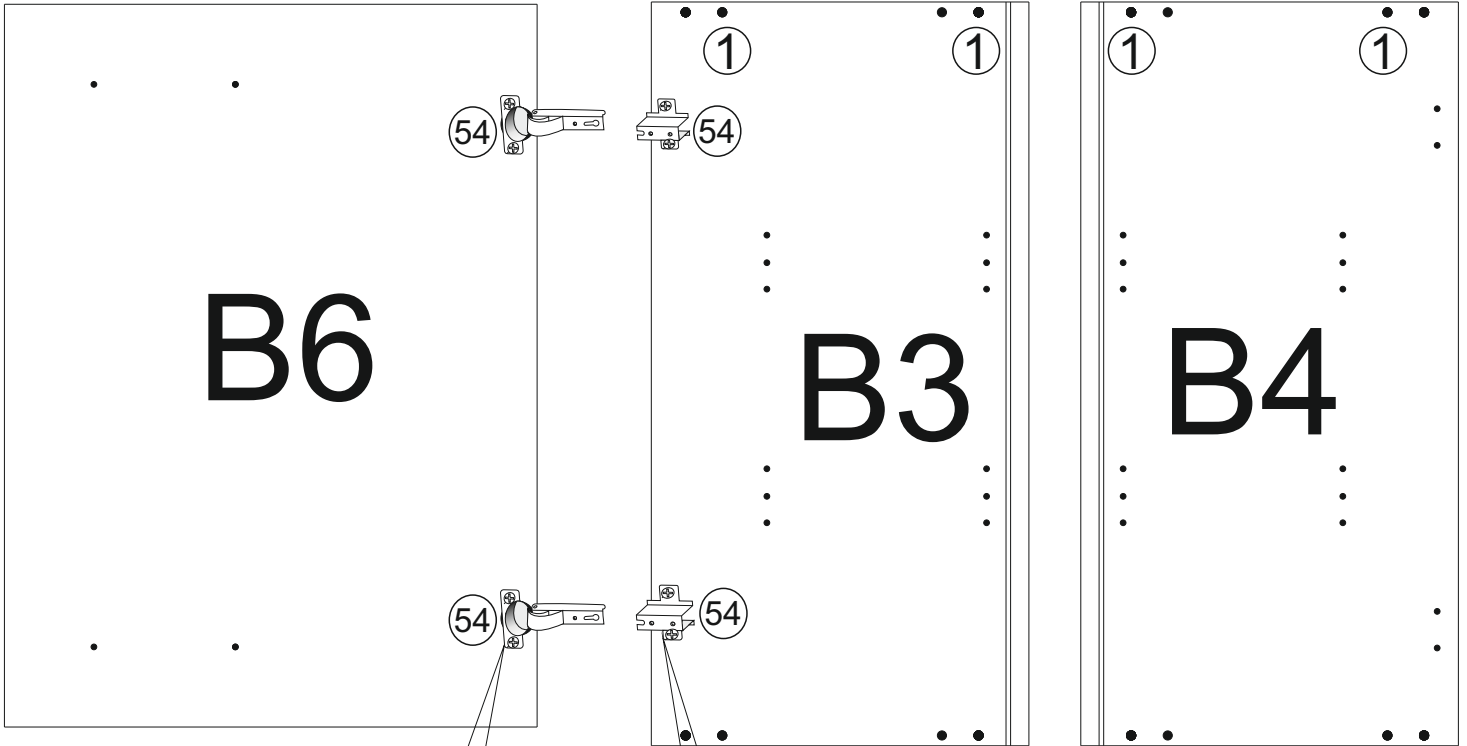
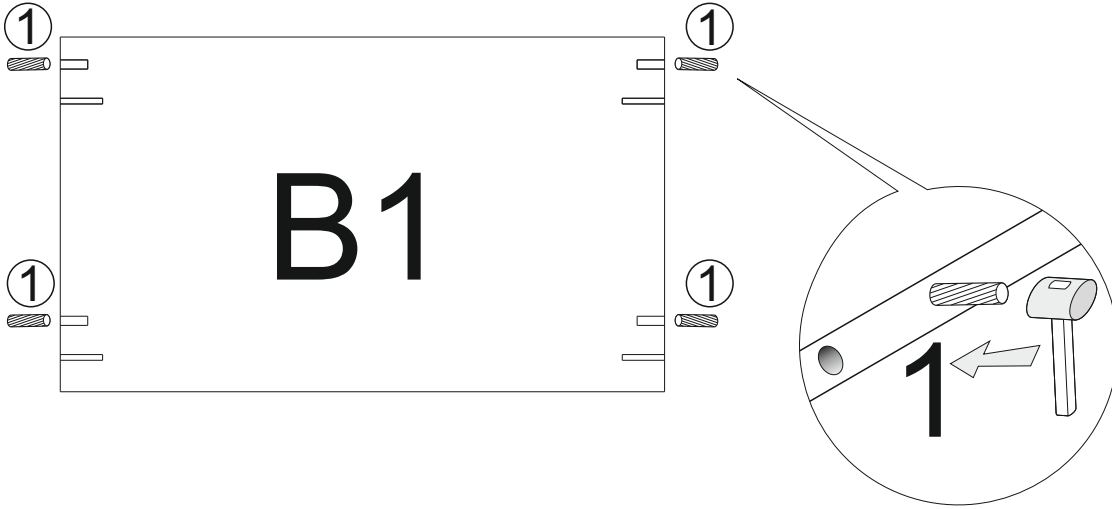


6



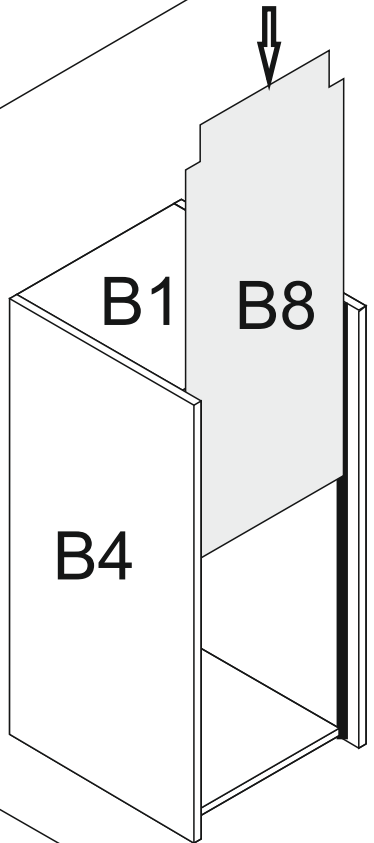
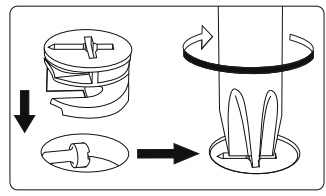
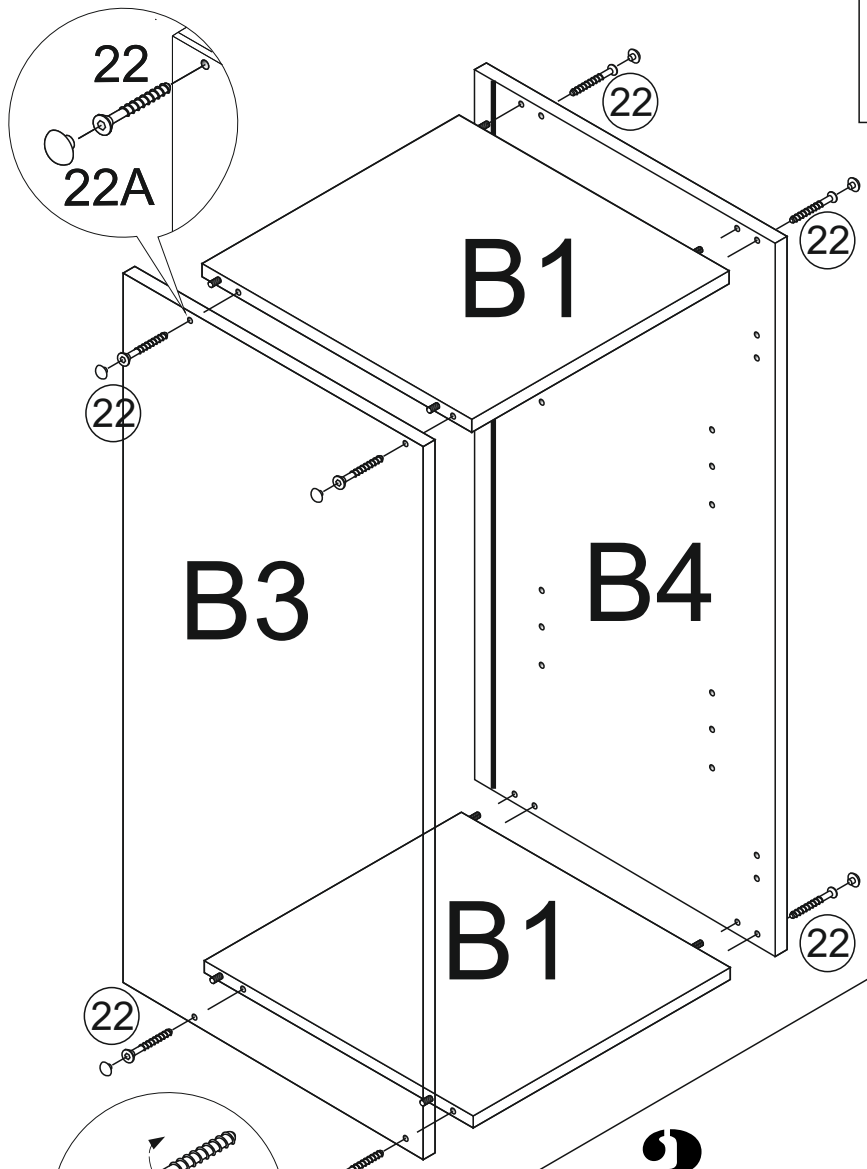
1

B

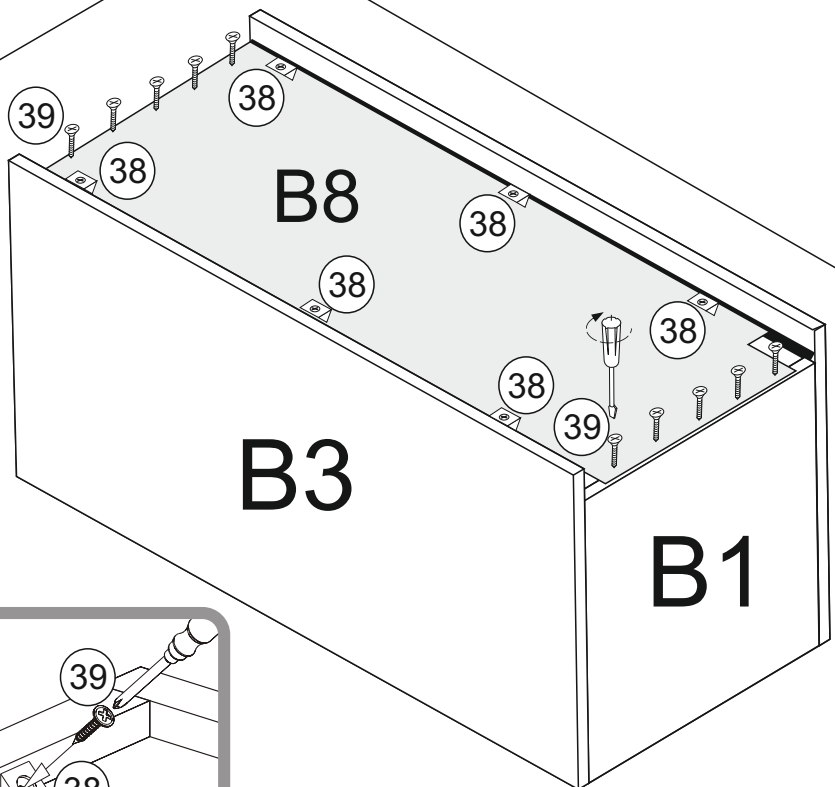
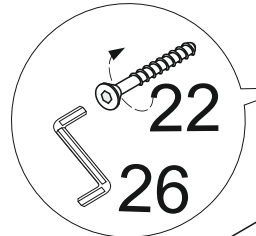


2

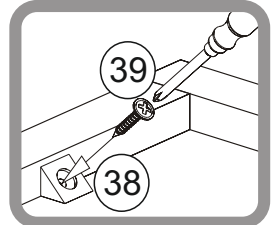
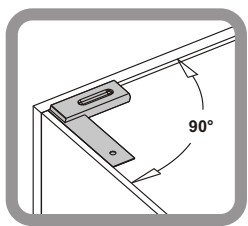
B3/ B4	900mm x 330mm
B1	567mm x 310mm
B8	895mm x 577mm



3

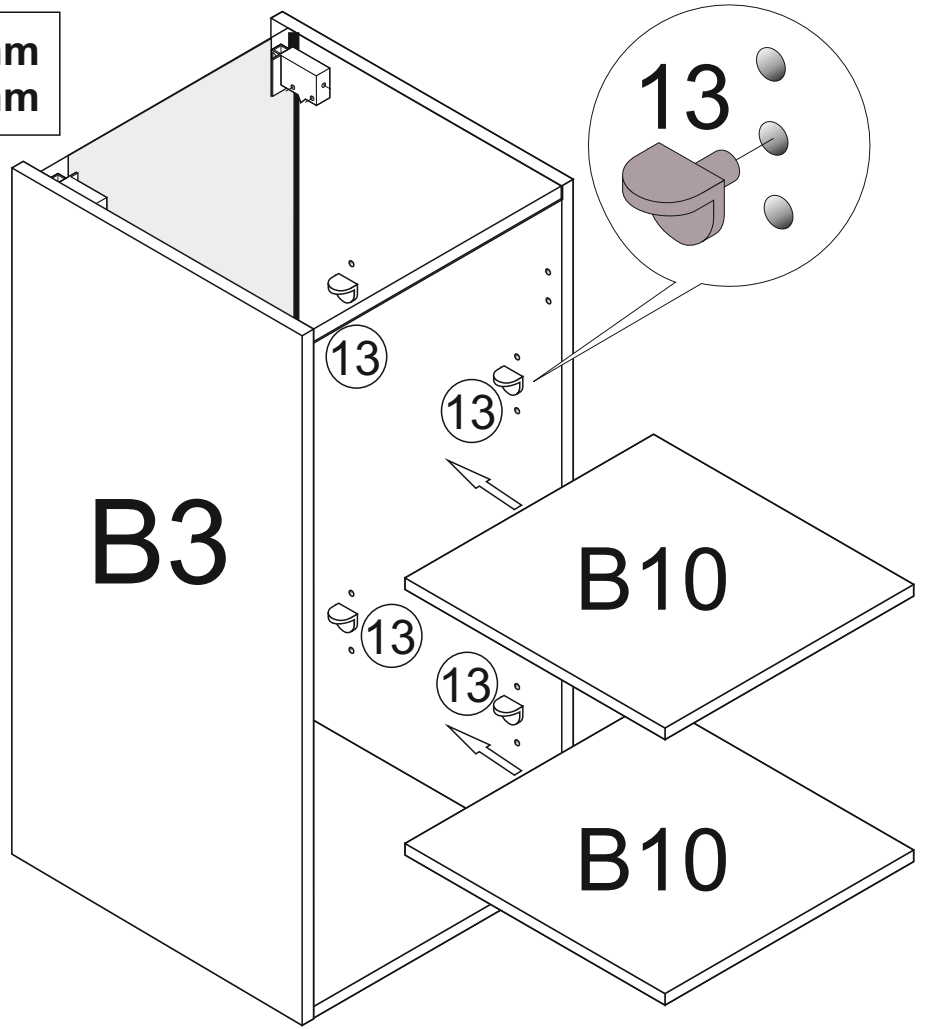
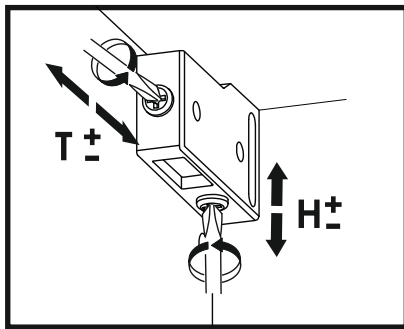
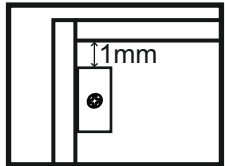
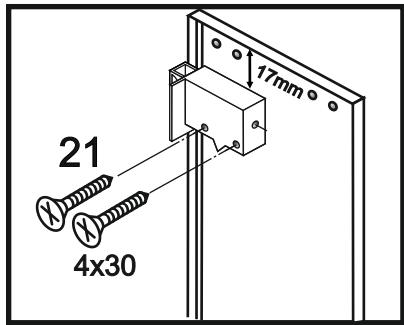


4

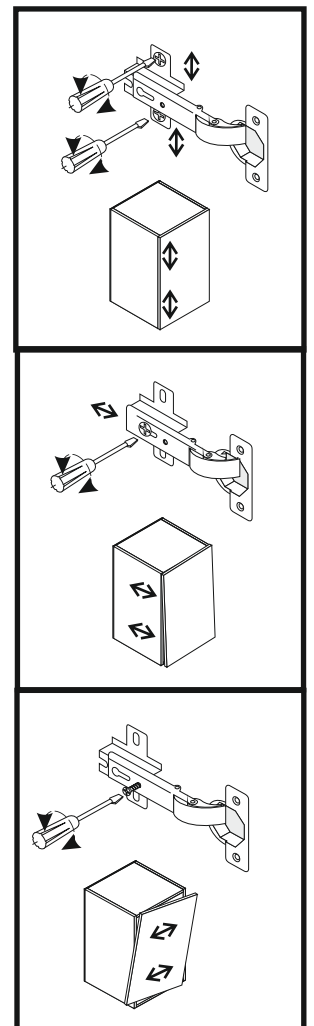
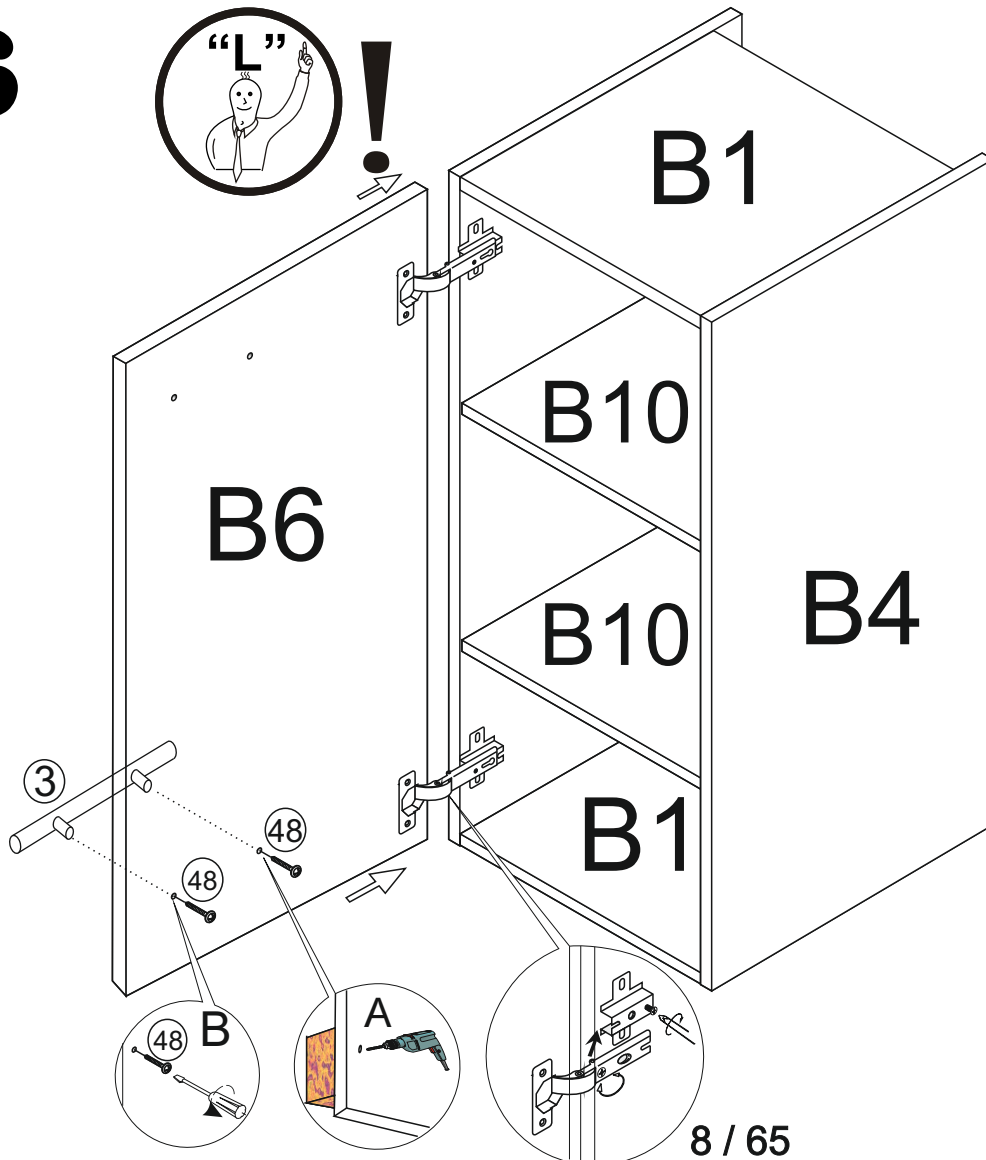


5

B6 896mm x 596mm
B10 567mm x 246mm



6



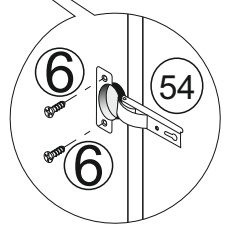
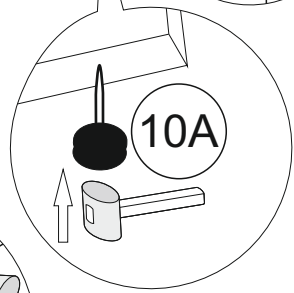
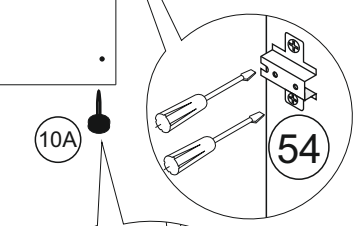
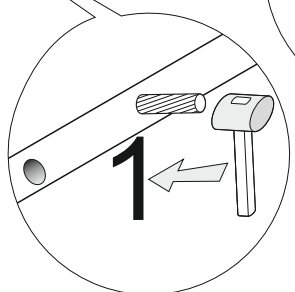
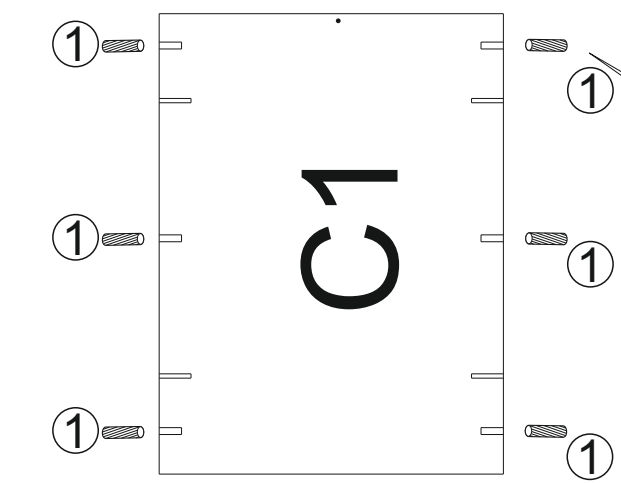
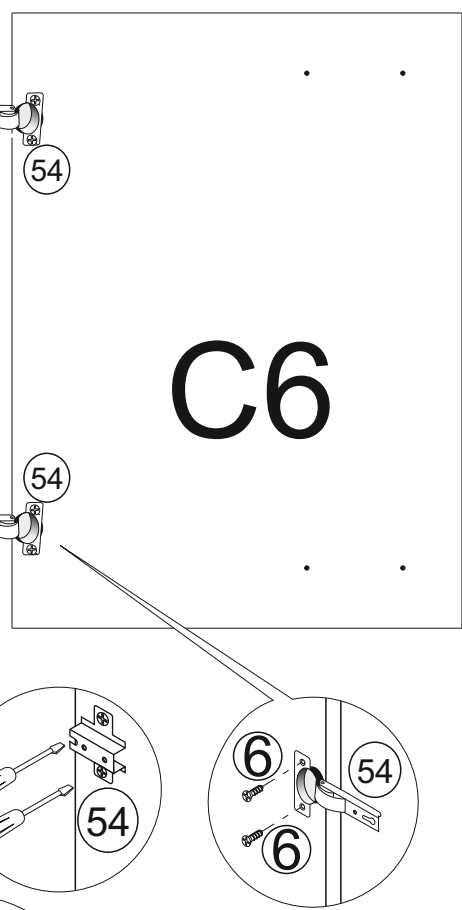
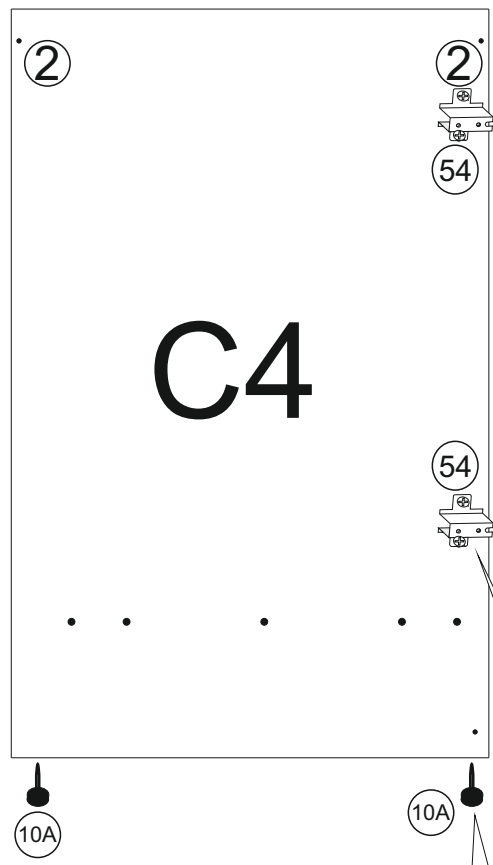
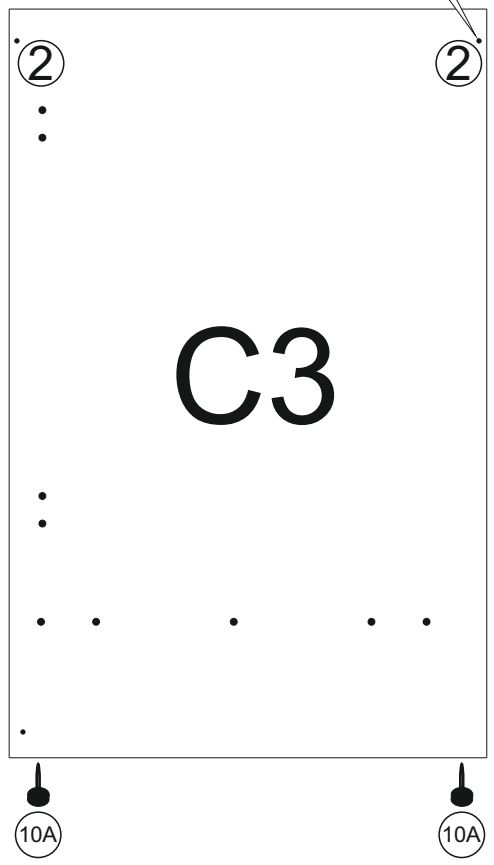
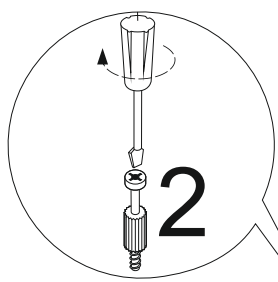
1



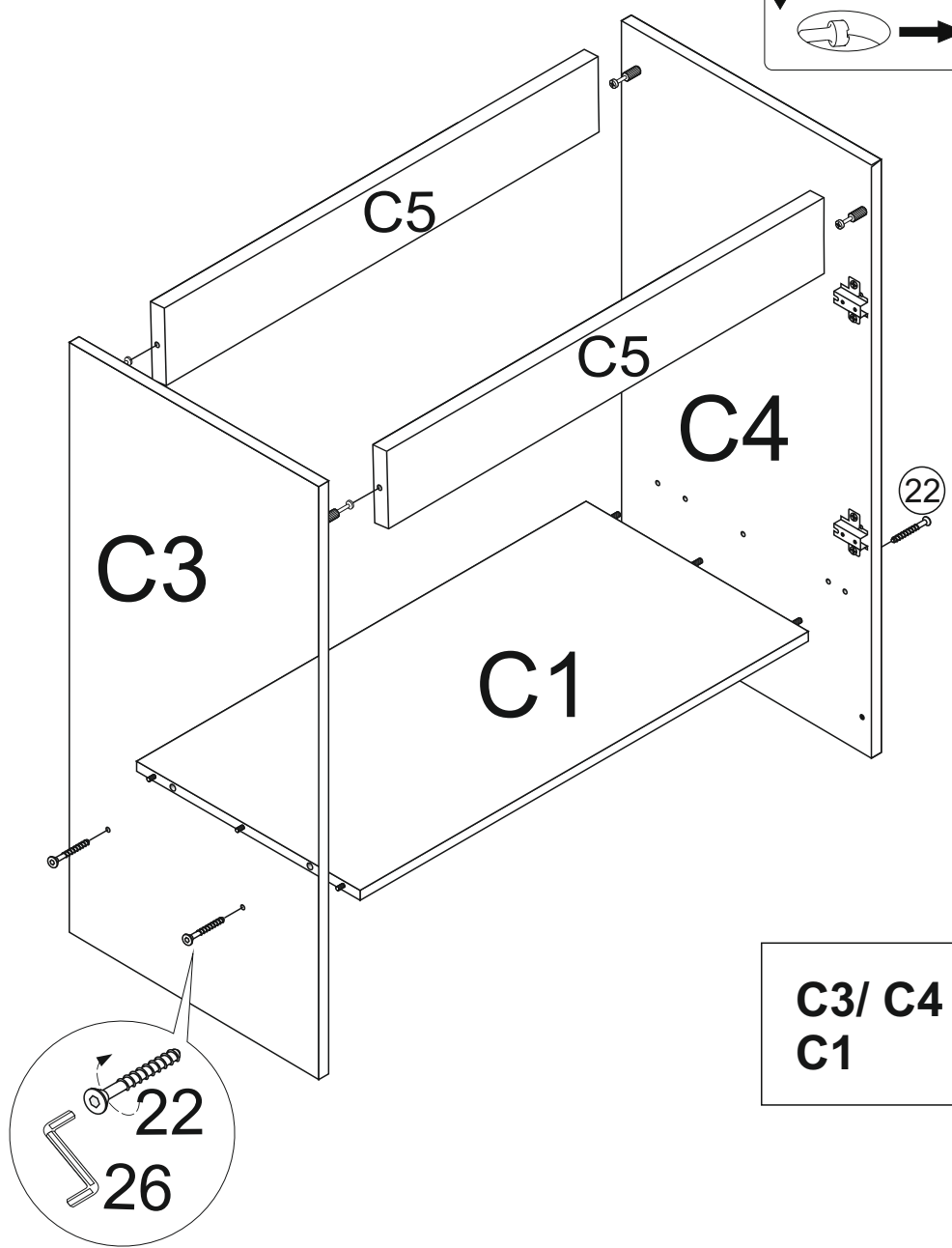
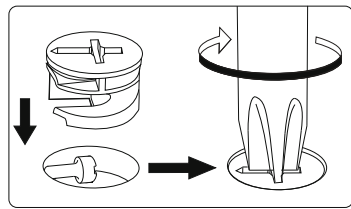
C



C2

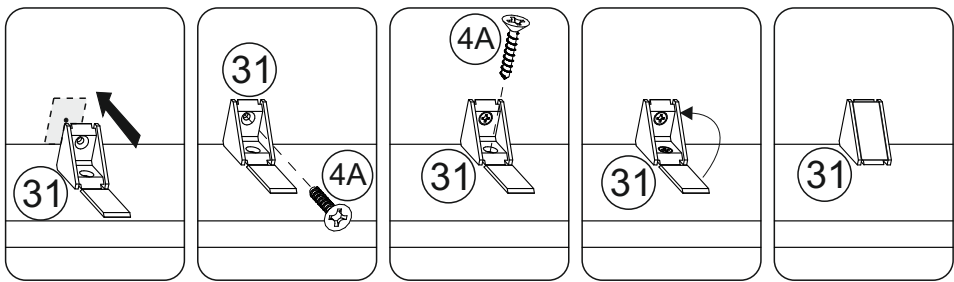
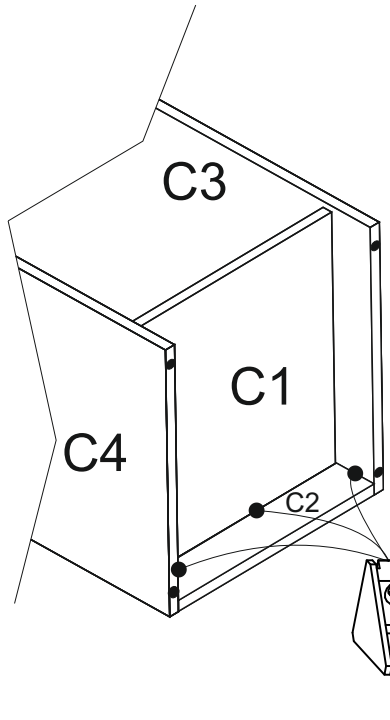


2



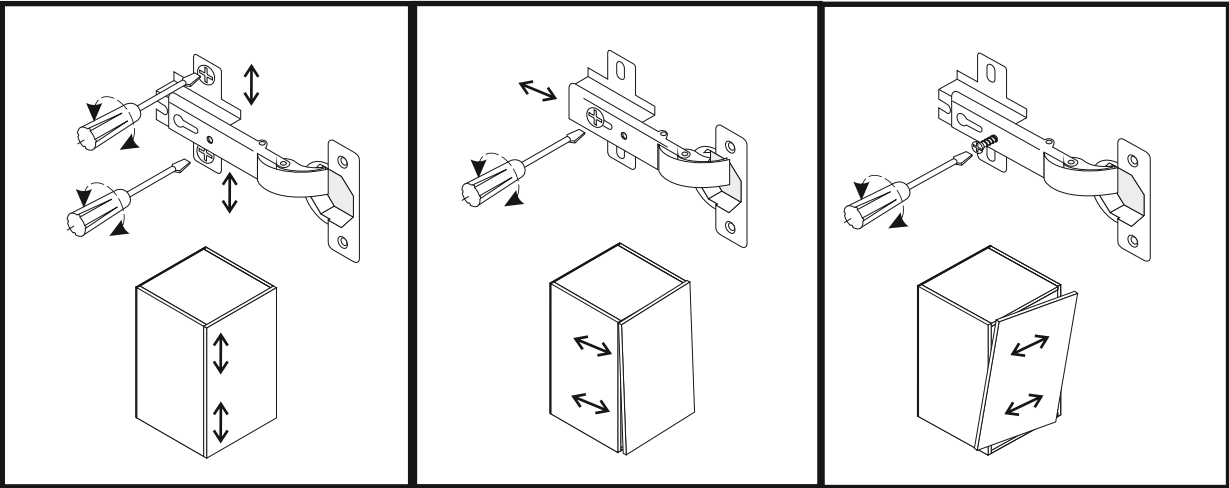
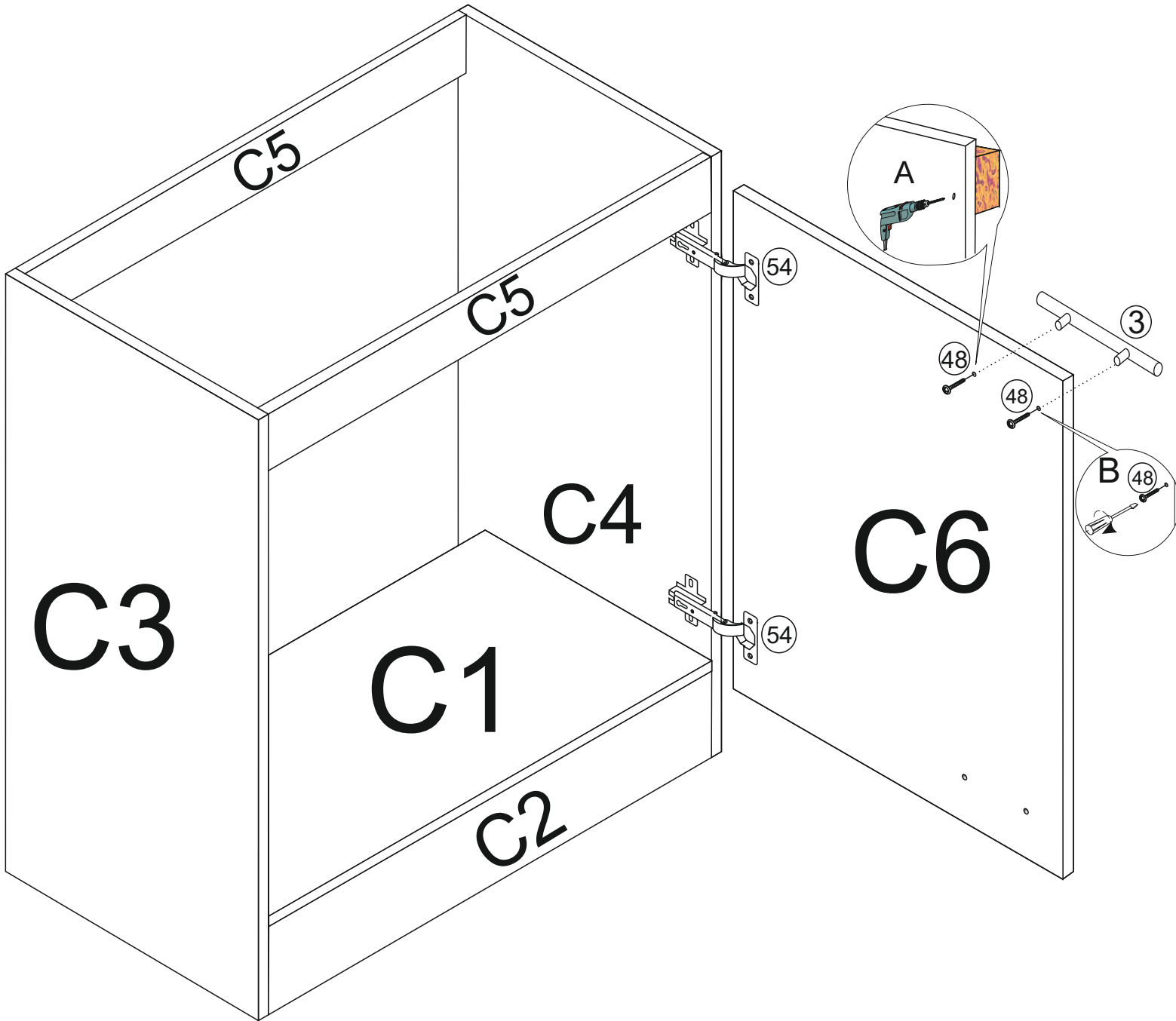
C3/ C4	870mm x 555mm
C1	467mm x 535mm

3

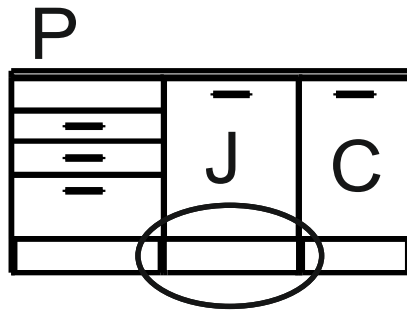


4

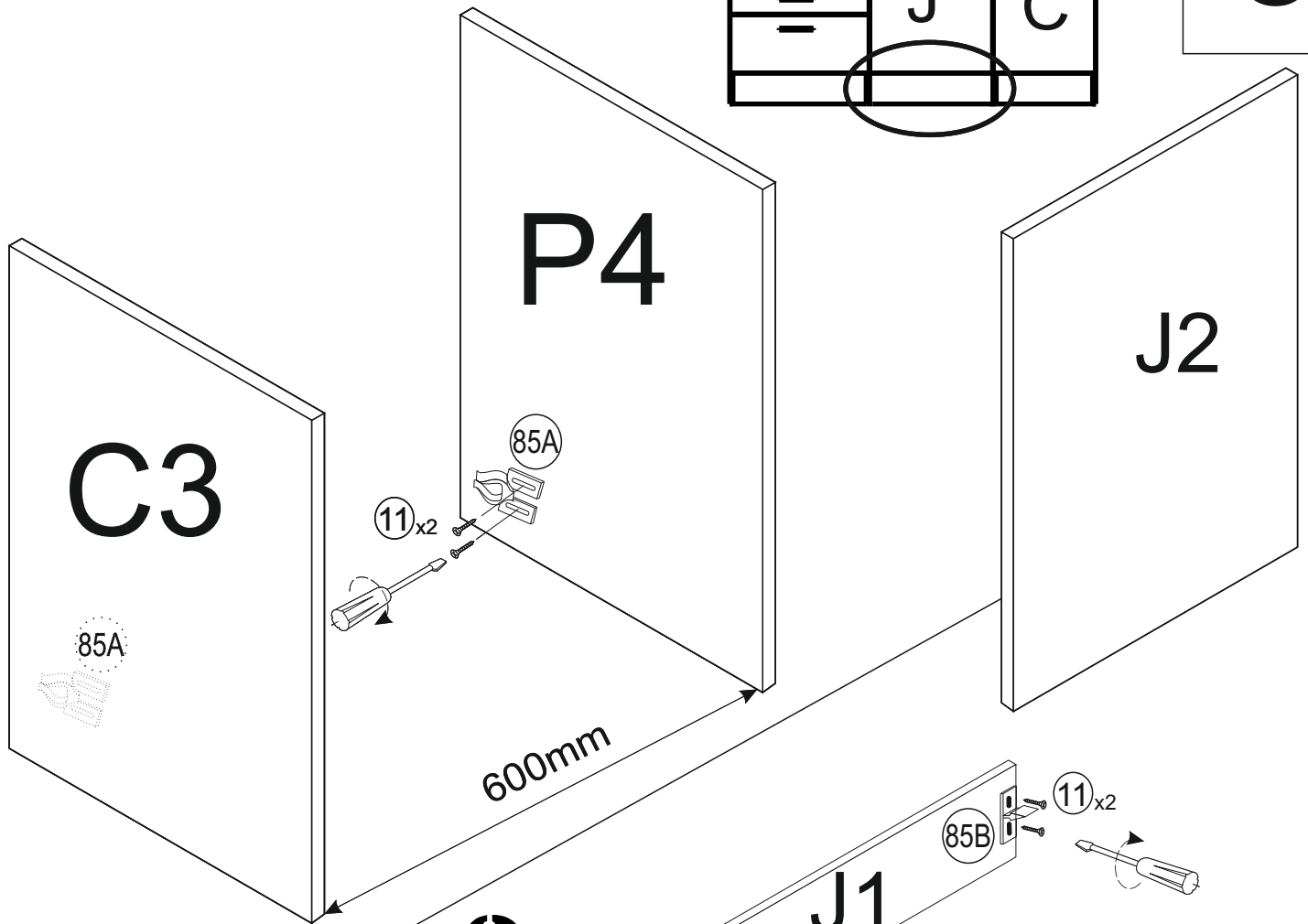
C5 467mm x 74mm
C6 713mm x 496mm
C2 467mm x 150mm



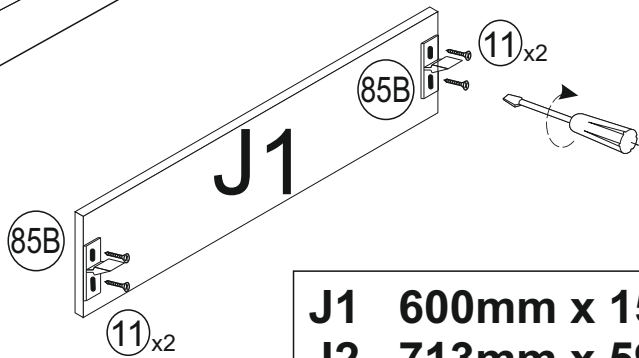
1



C

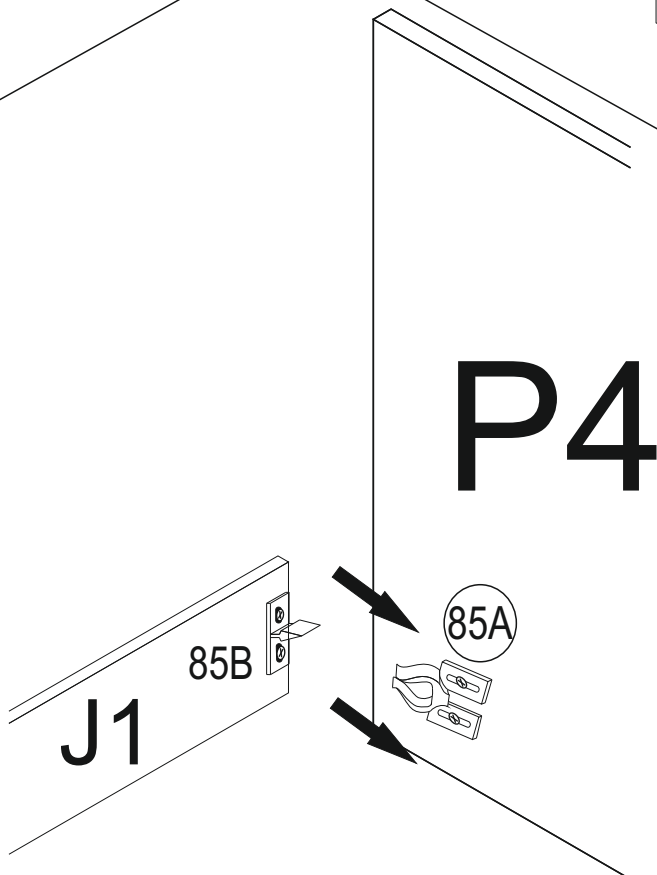


2



J1 600mm x 150mm
J2 713mm x 596mm

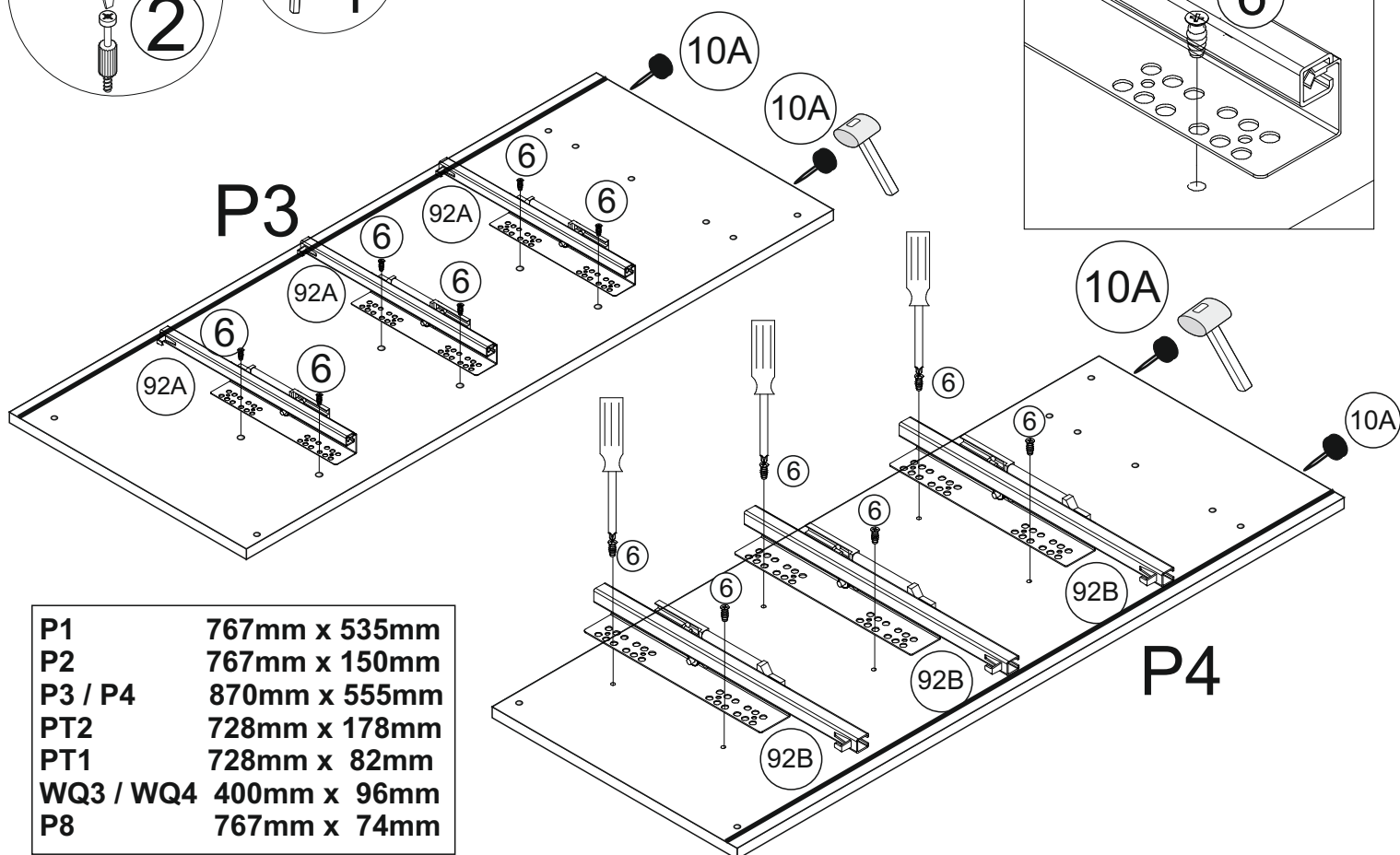
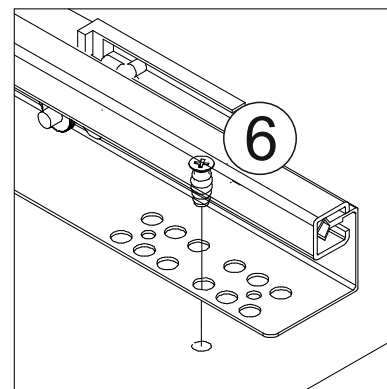
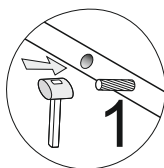
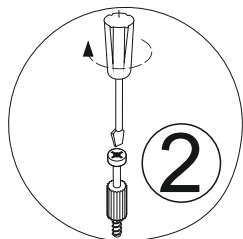
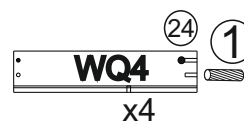
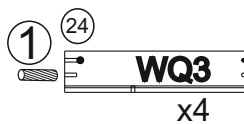
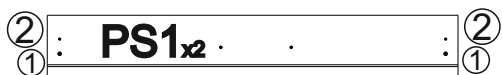
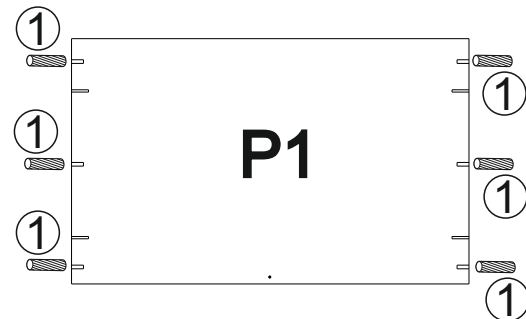
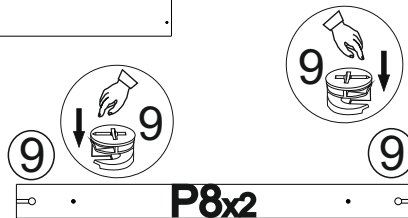
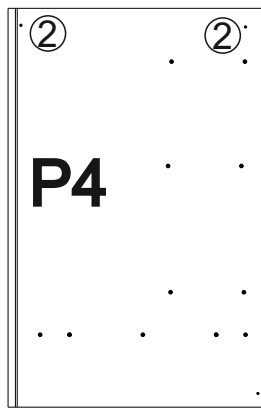
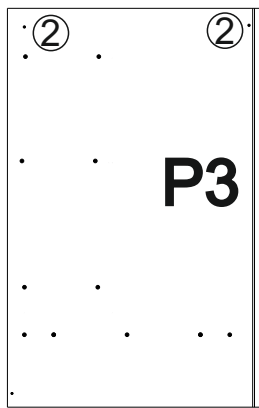
3



85B		x 2
85A		x 2
11		x 8

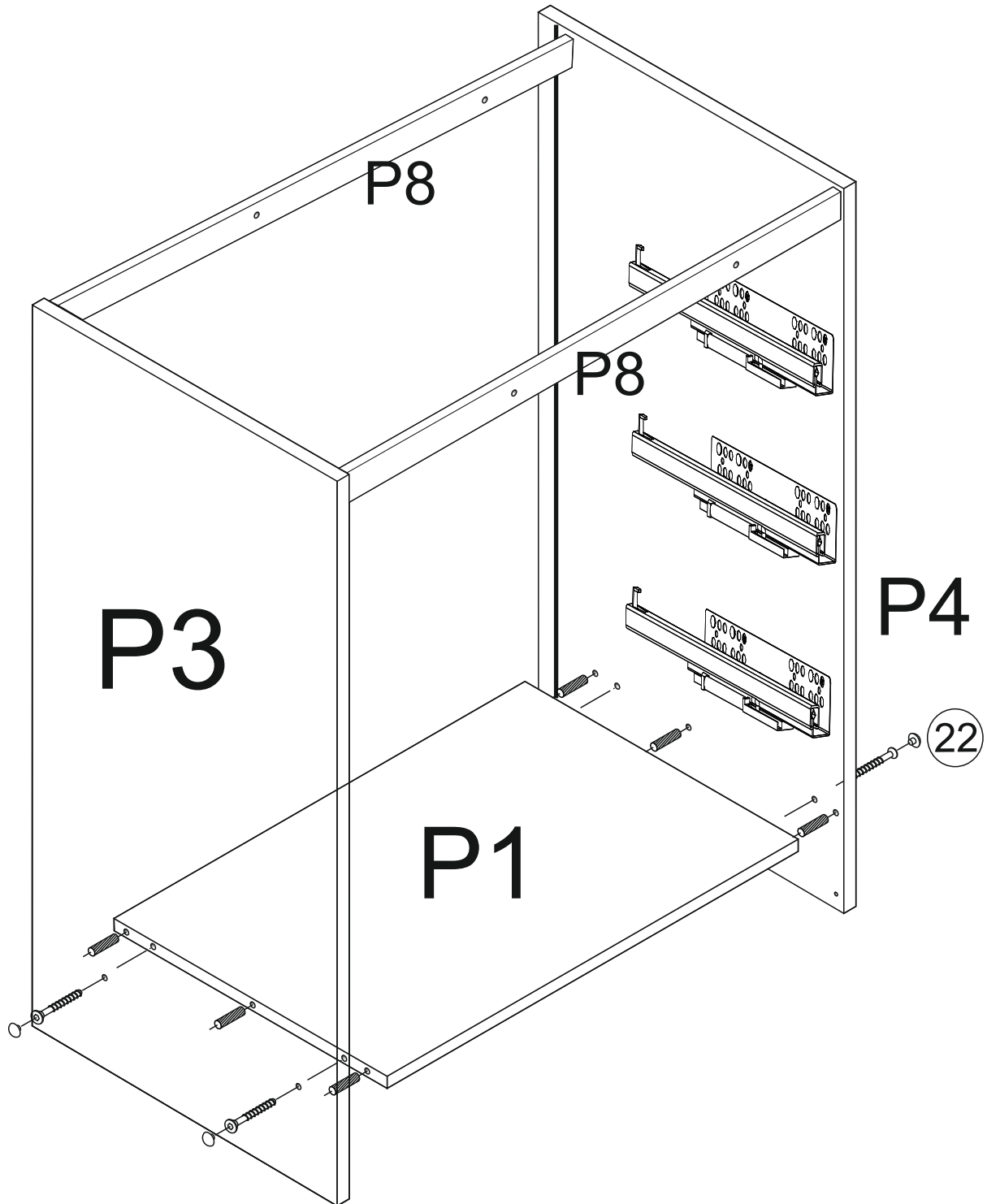
3.5x13

1

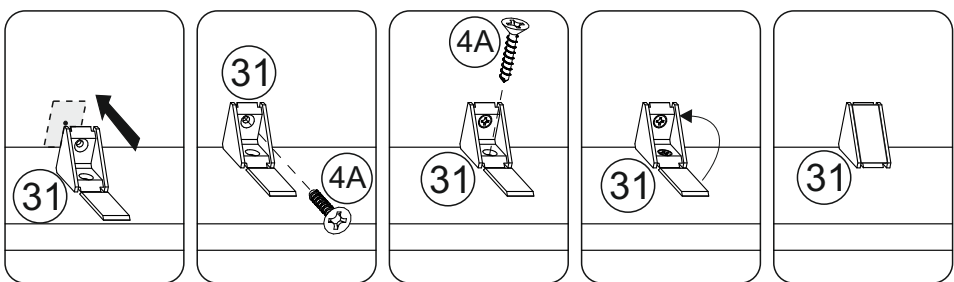
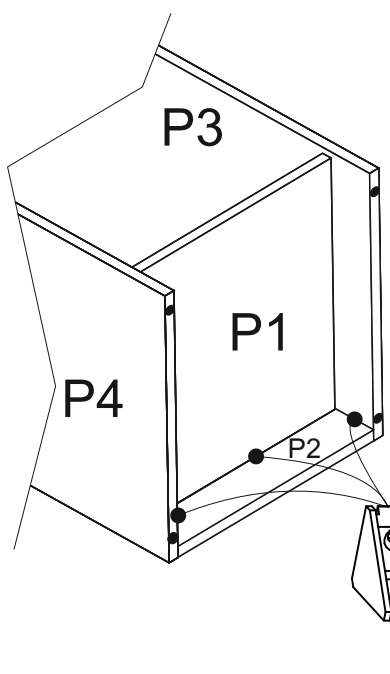


P1	767mm x 535mm
P2	767mm x 150mm
P3 / P4	870mm x 555mm
PT2	728mm x 178mm
PT1	728mm x 82mm
WQ3 / WQ4	400mm x 96mm
P8	767mm x 74mm

2

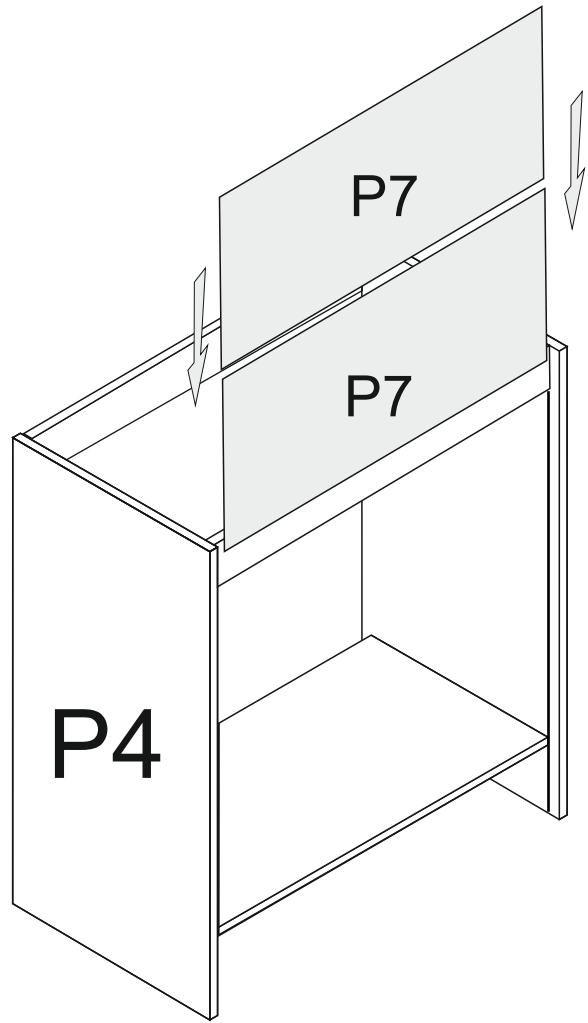


3



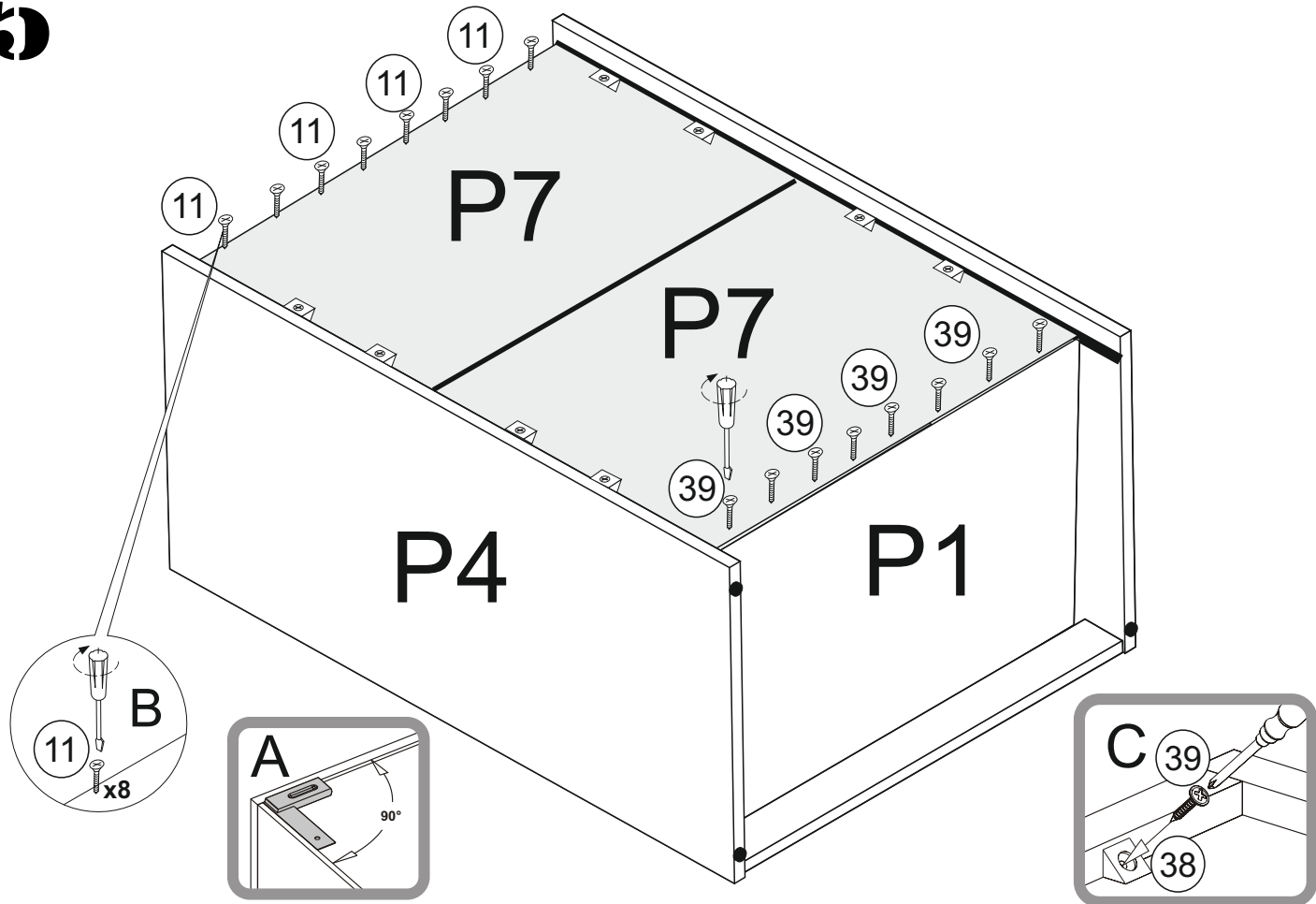
31 x3

4



P7 358mm x 777mm

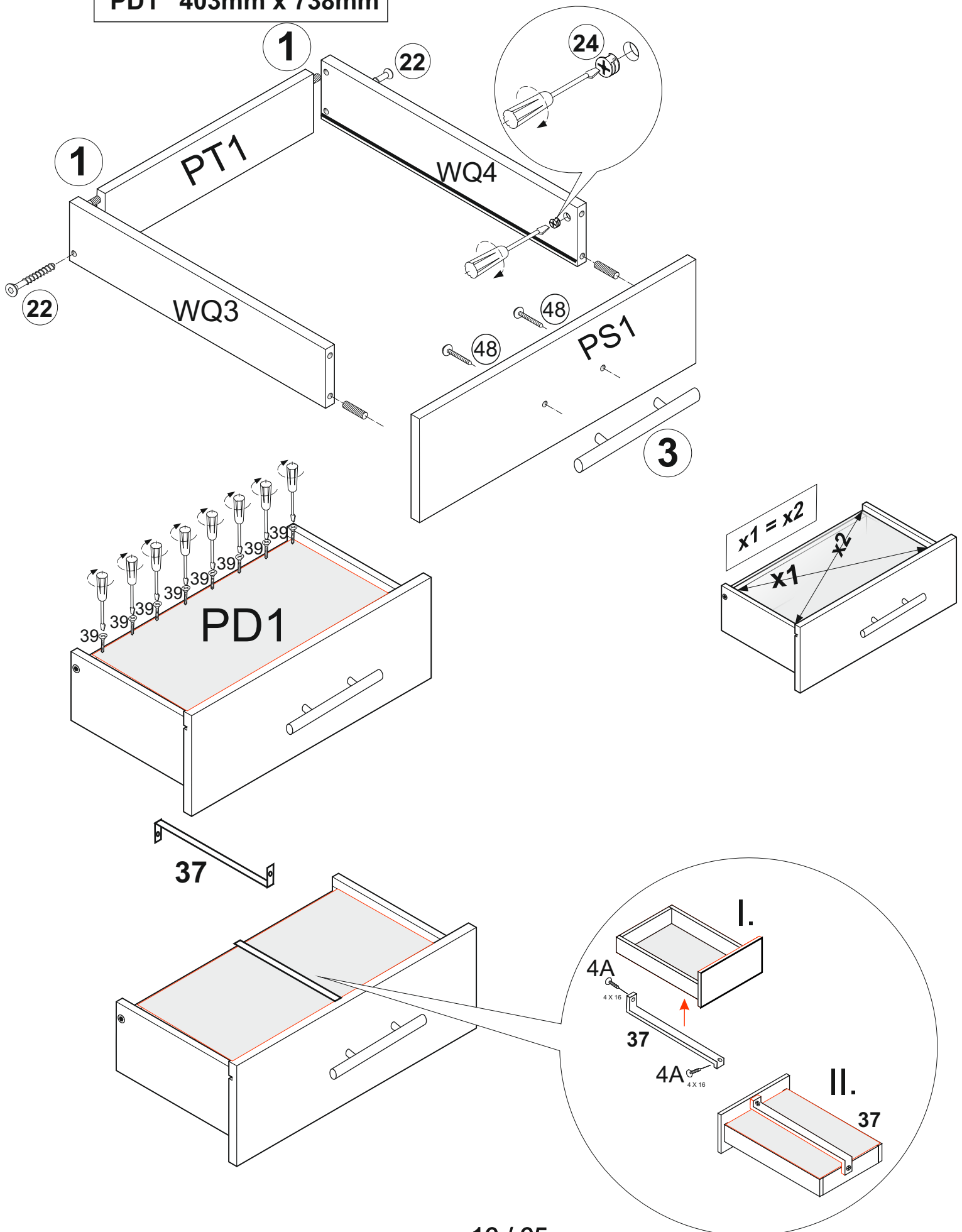
5

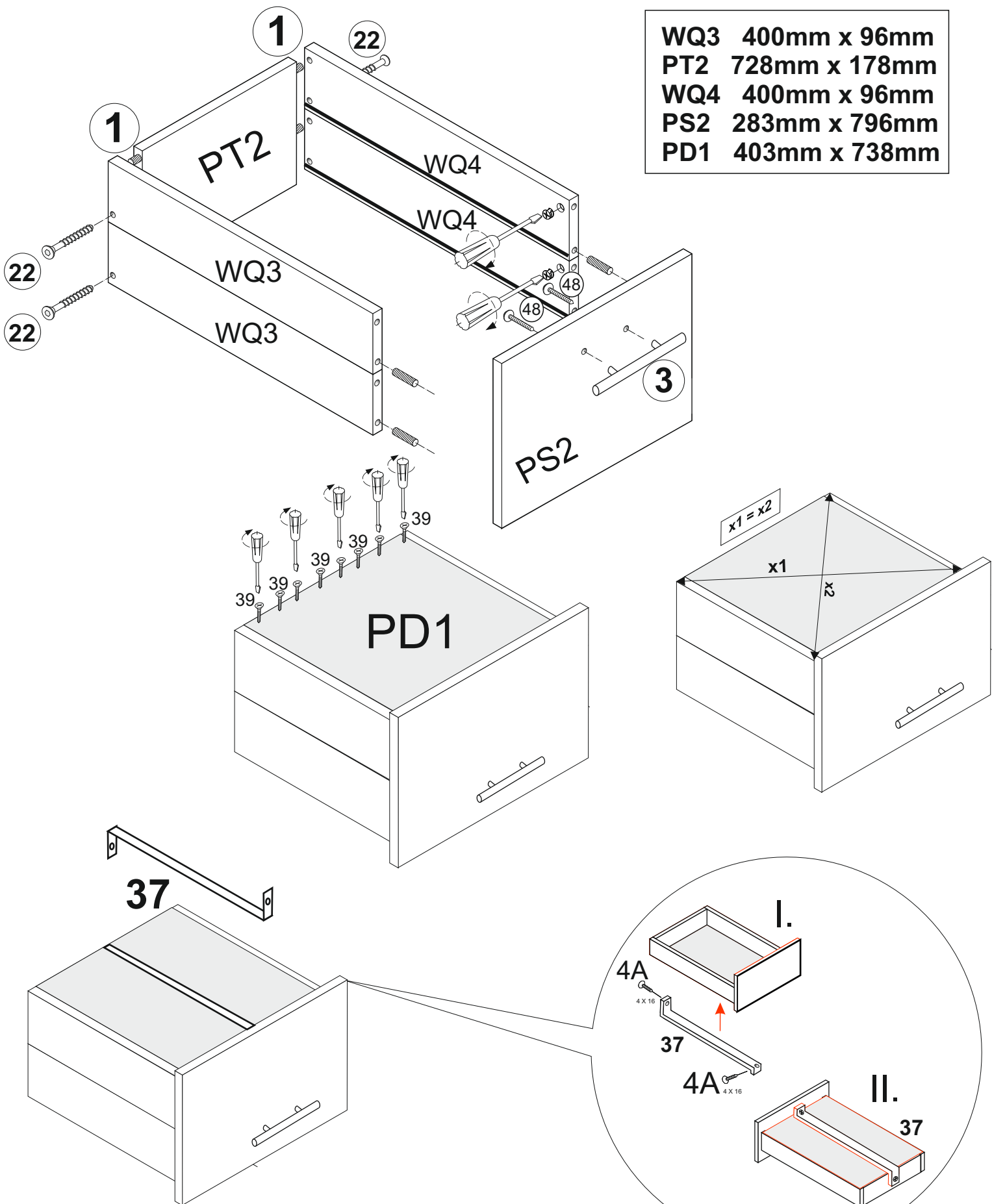


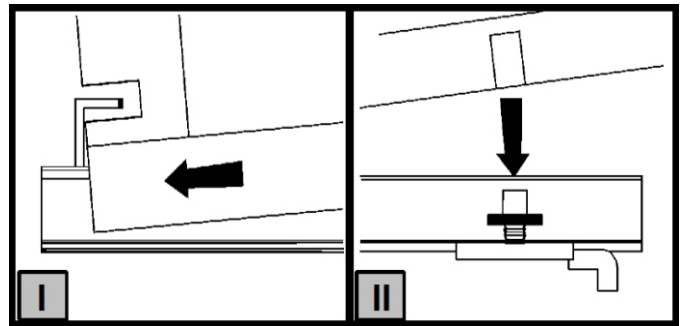
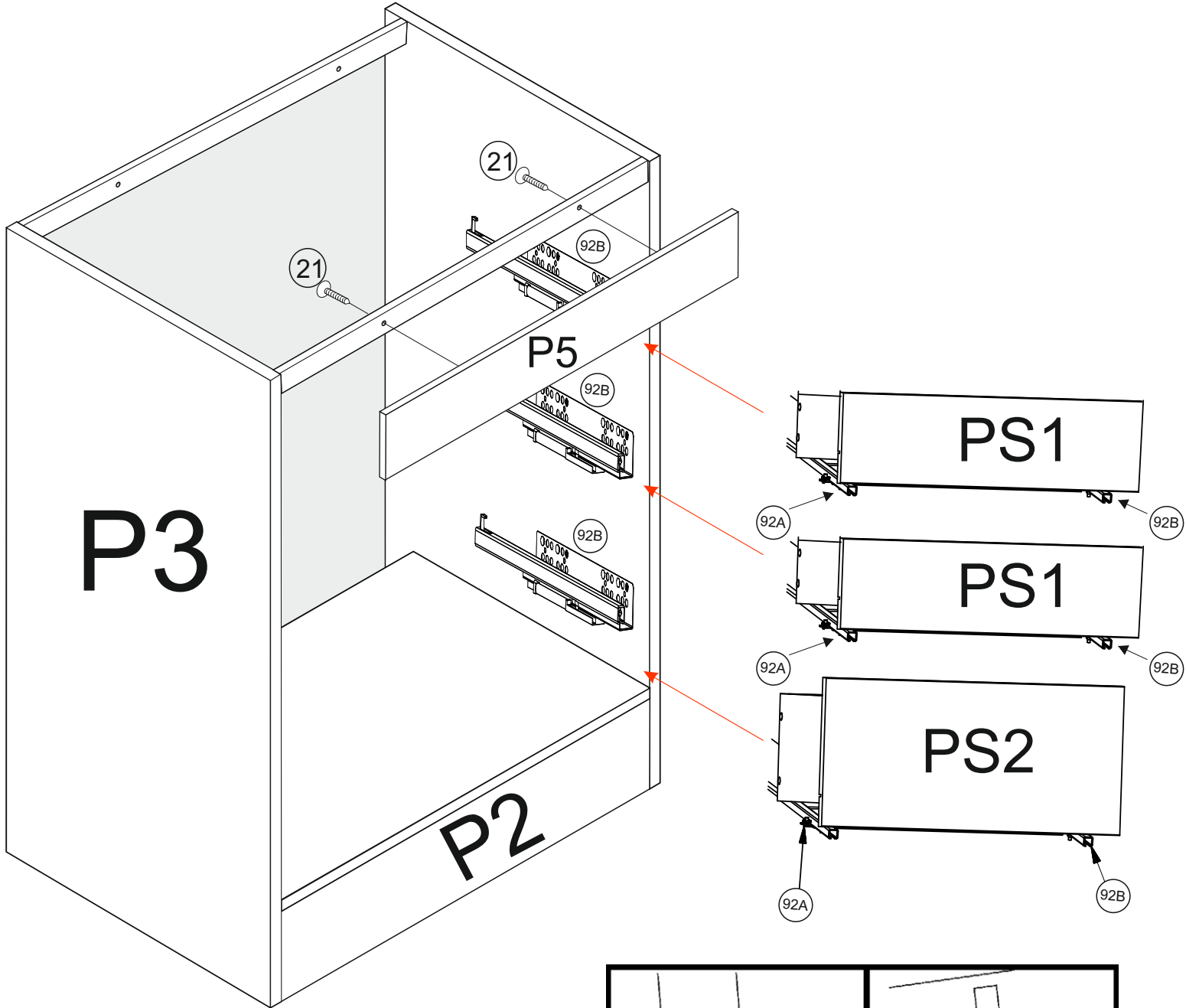
6

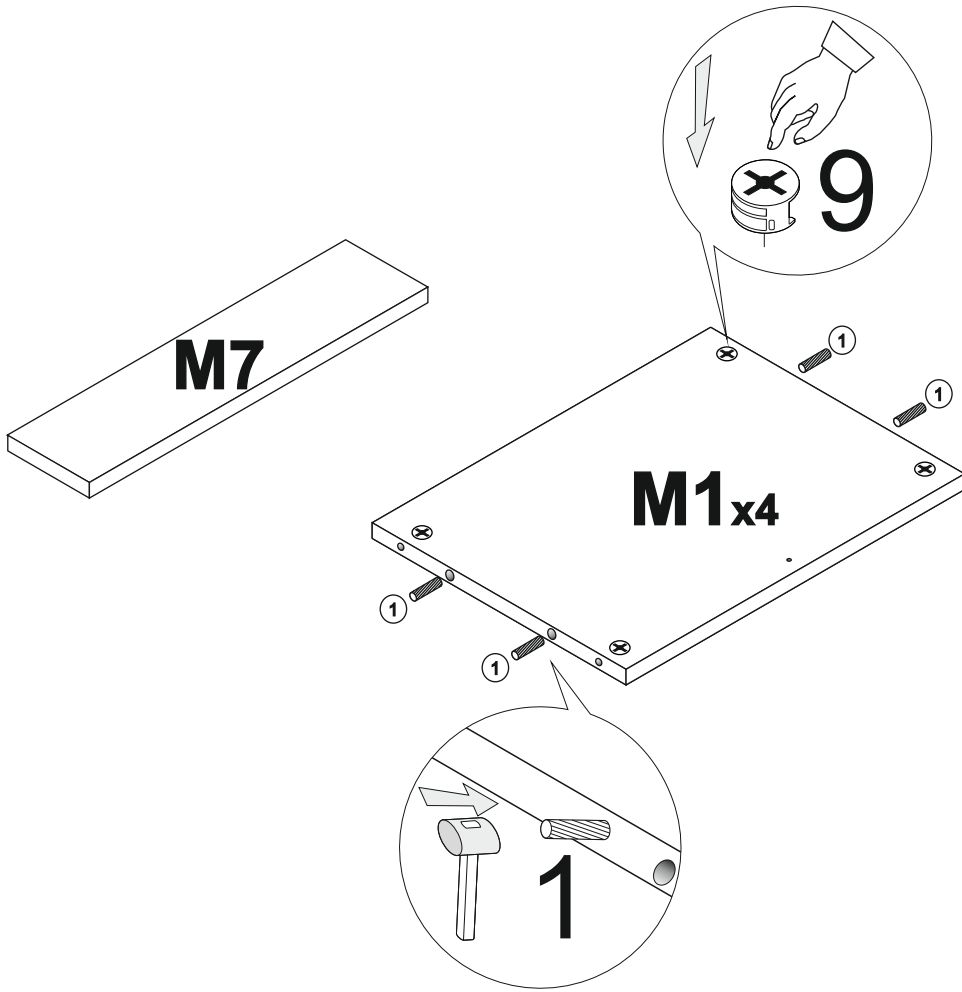
WQ3	400mm x 96mm
PT1	728mm x 82mm
WQ4	400mm x 96mm
PS1	140mm x 796mm
PD1	403mm x 738mm

x2

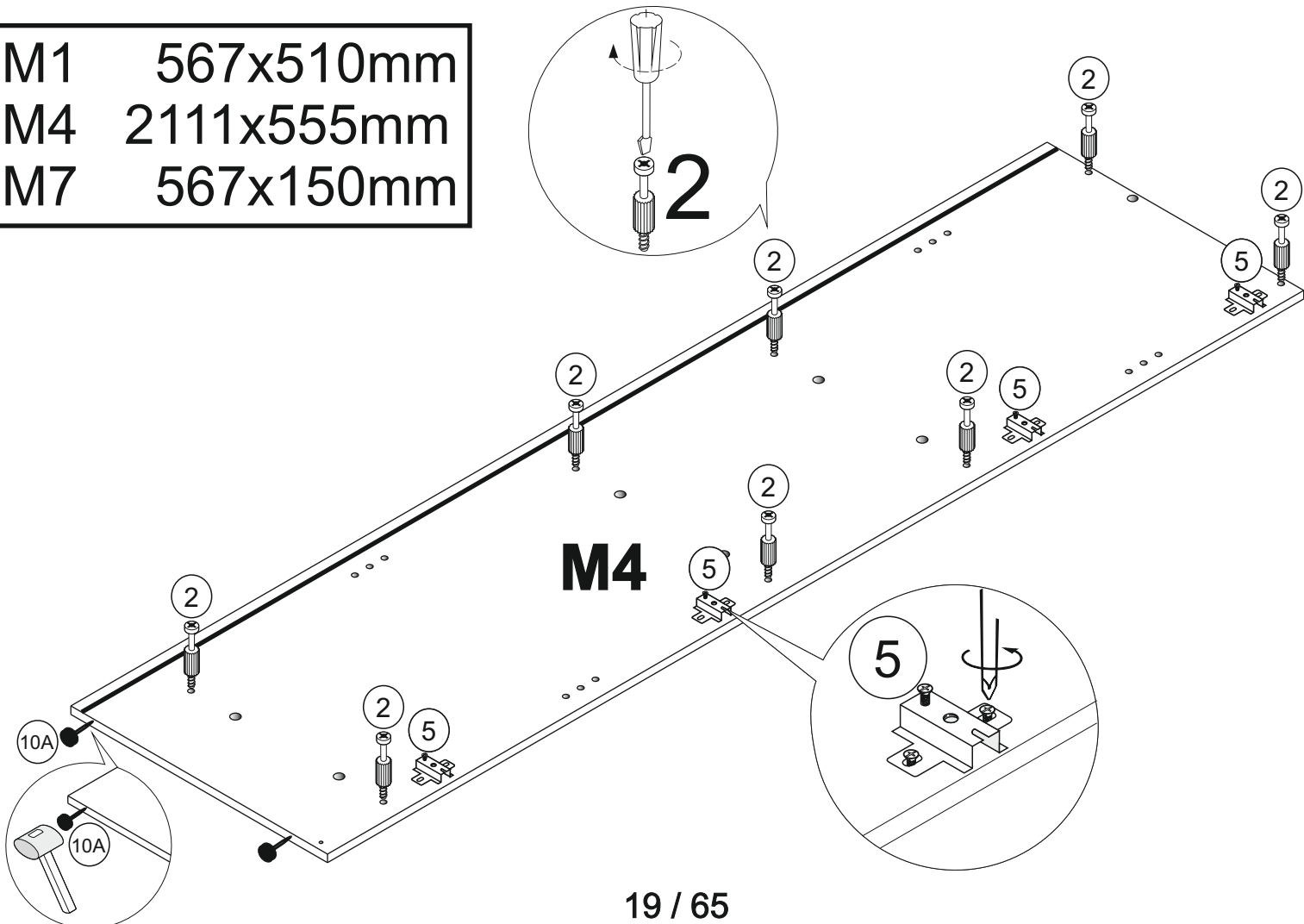




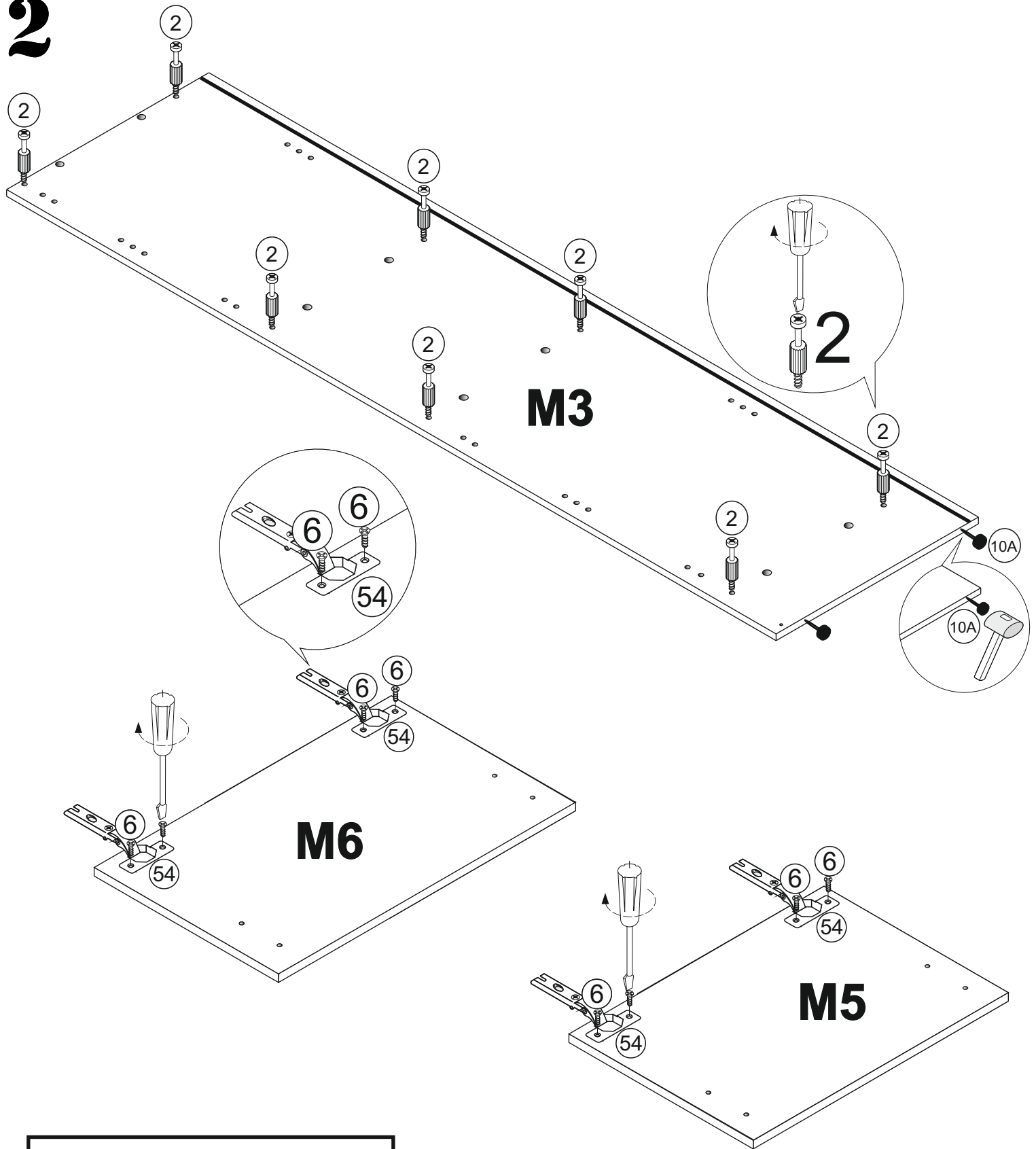




M1	567x510mm
M4	2111x555mm
M7	567x150mm

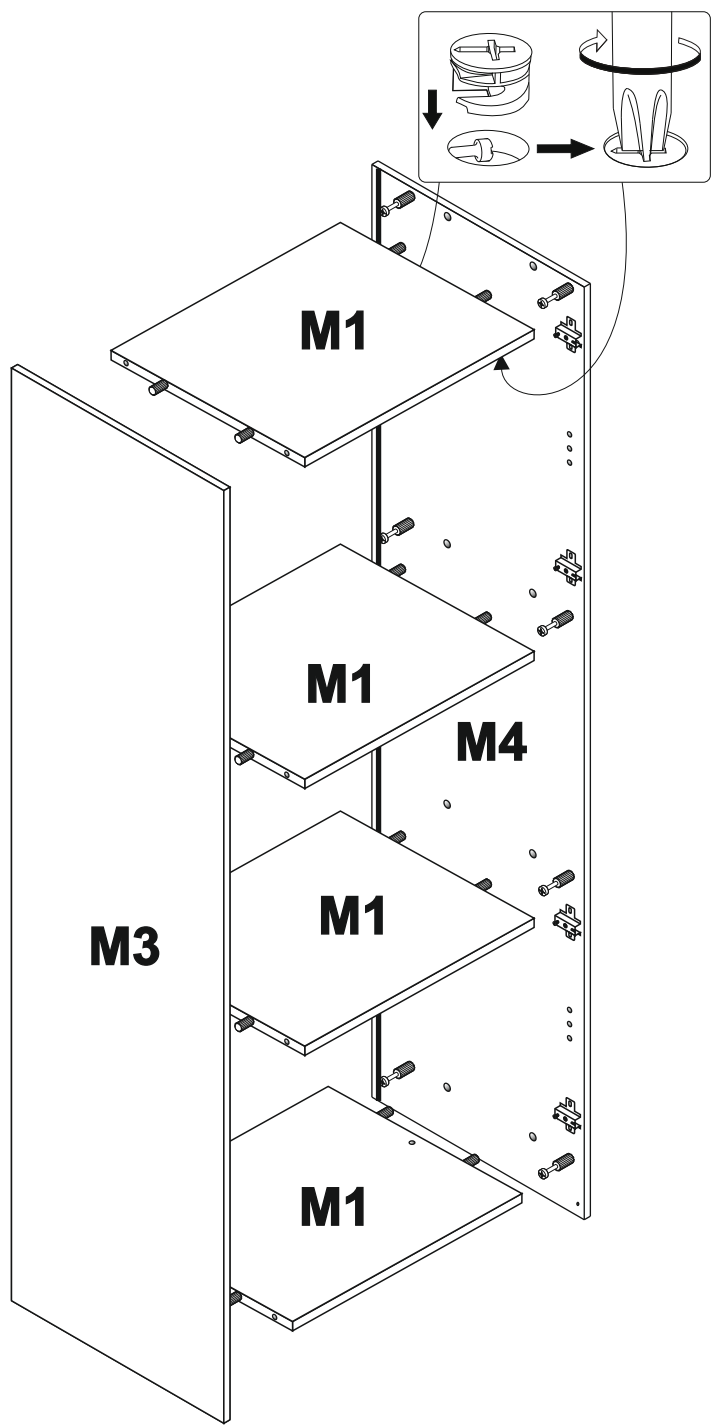


2

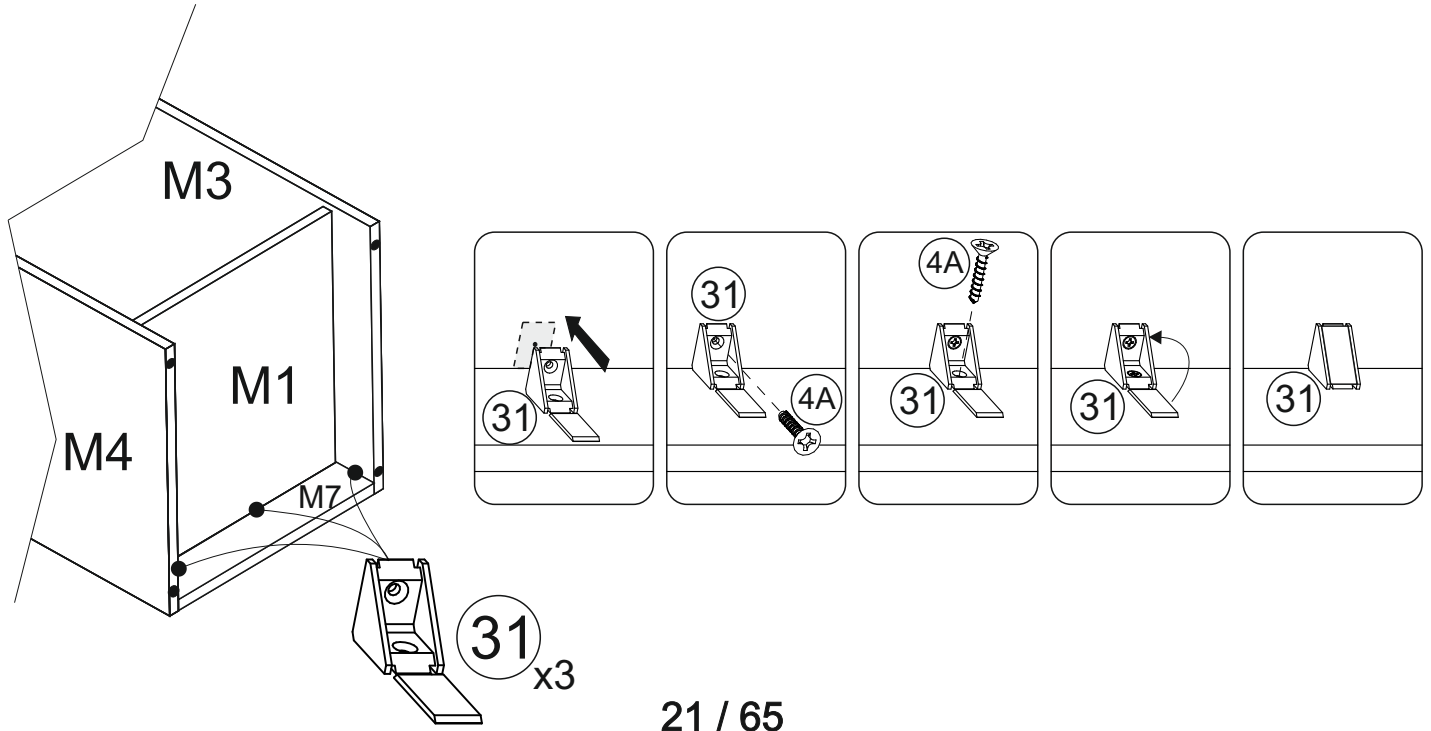


M3	2111x555mm
M5	640x596mm
M6	713x596mm

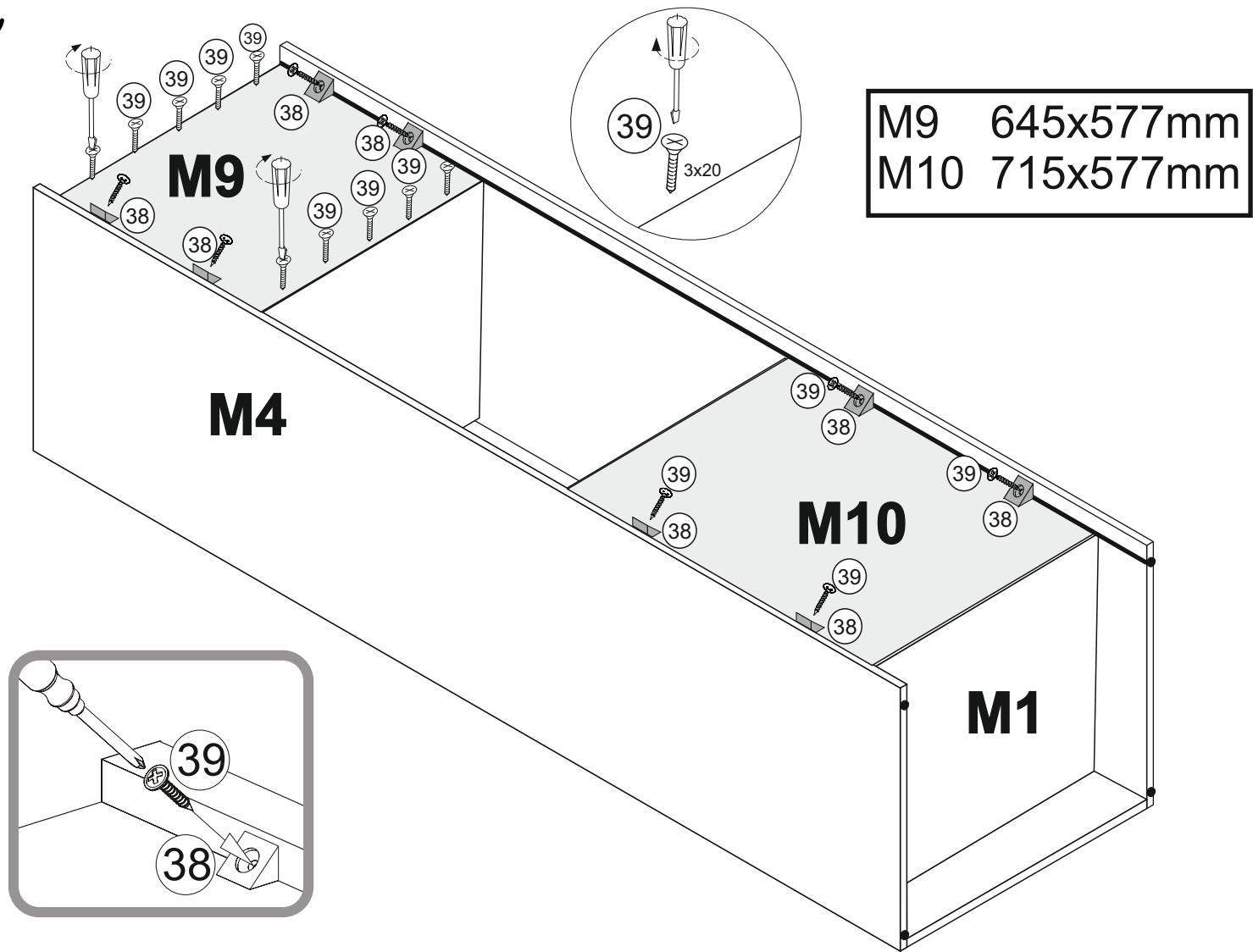
3



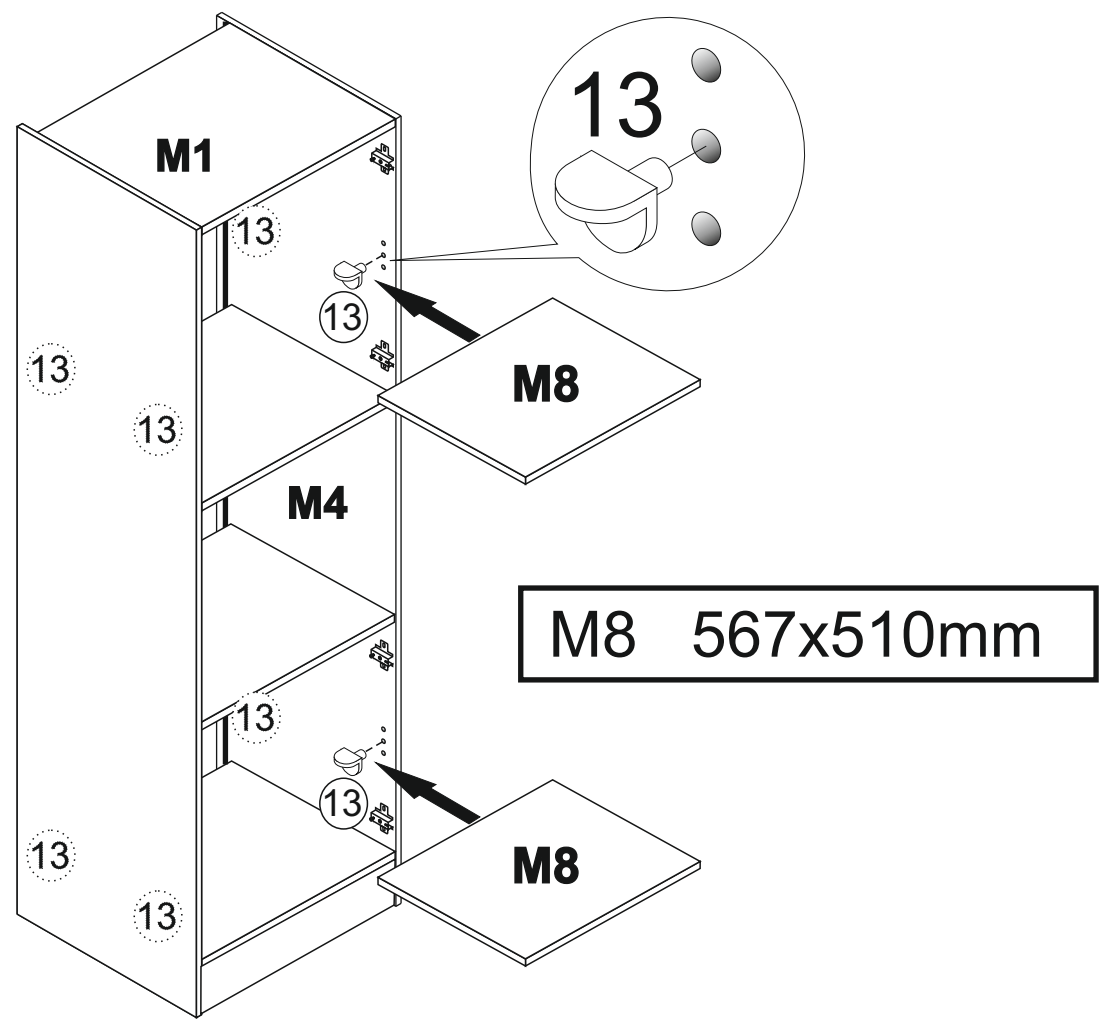
4

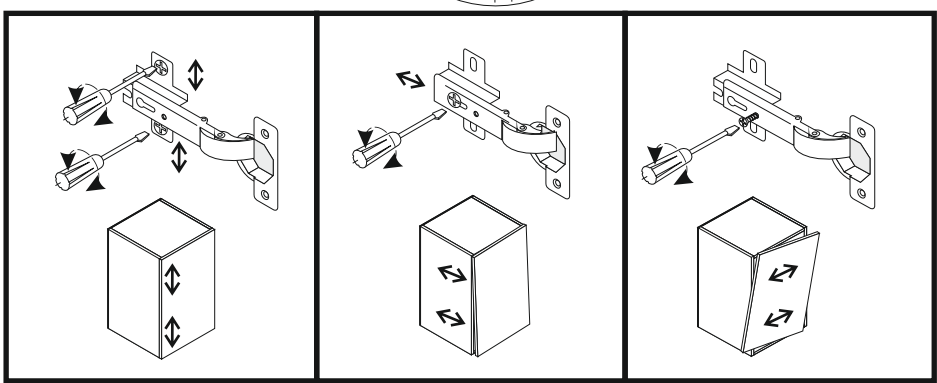
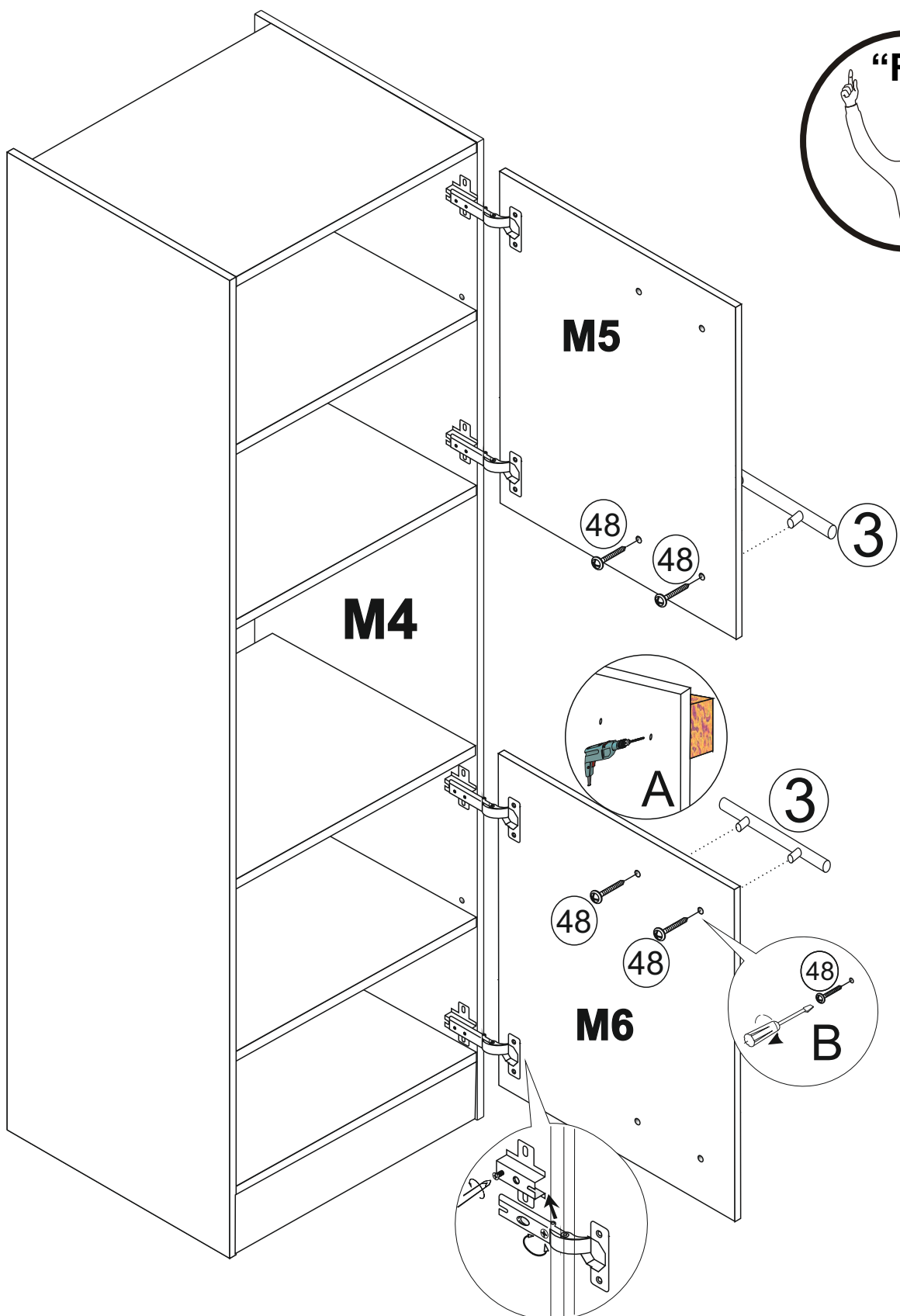
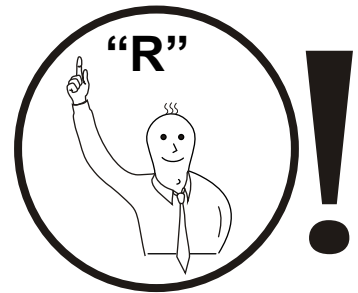


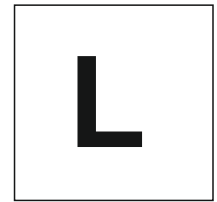
7



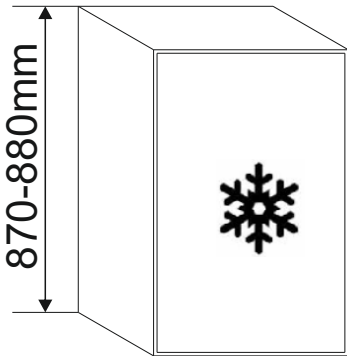
8



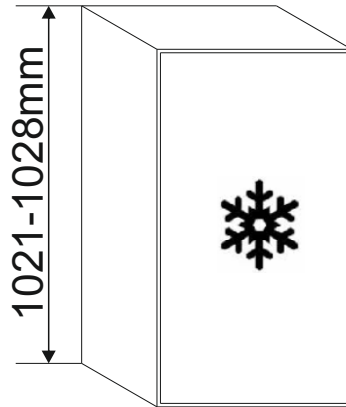




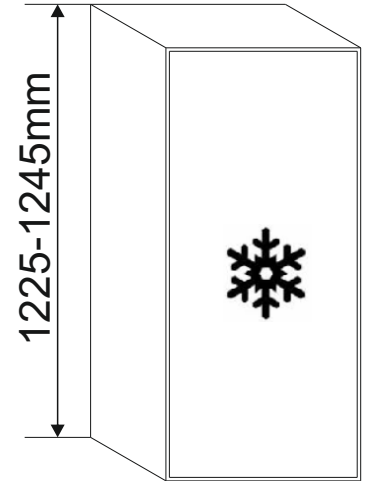
OPTION 1



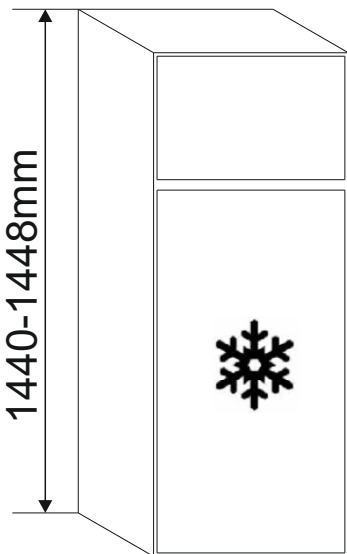
OPTION 2



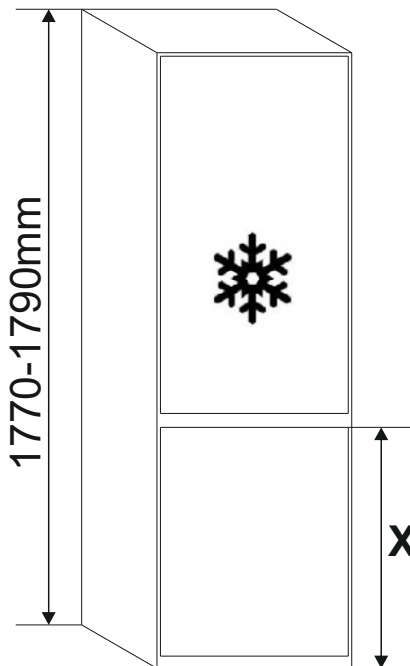
OPTION 3



OPTION 4

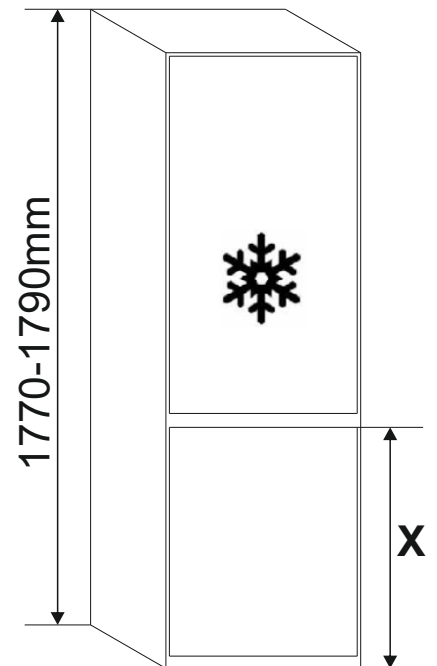


OPTION 5



$X \leq 718\text{mm}$

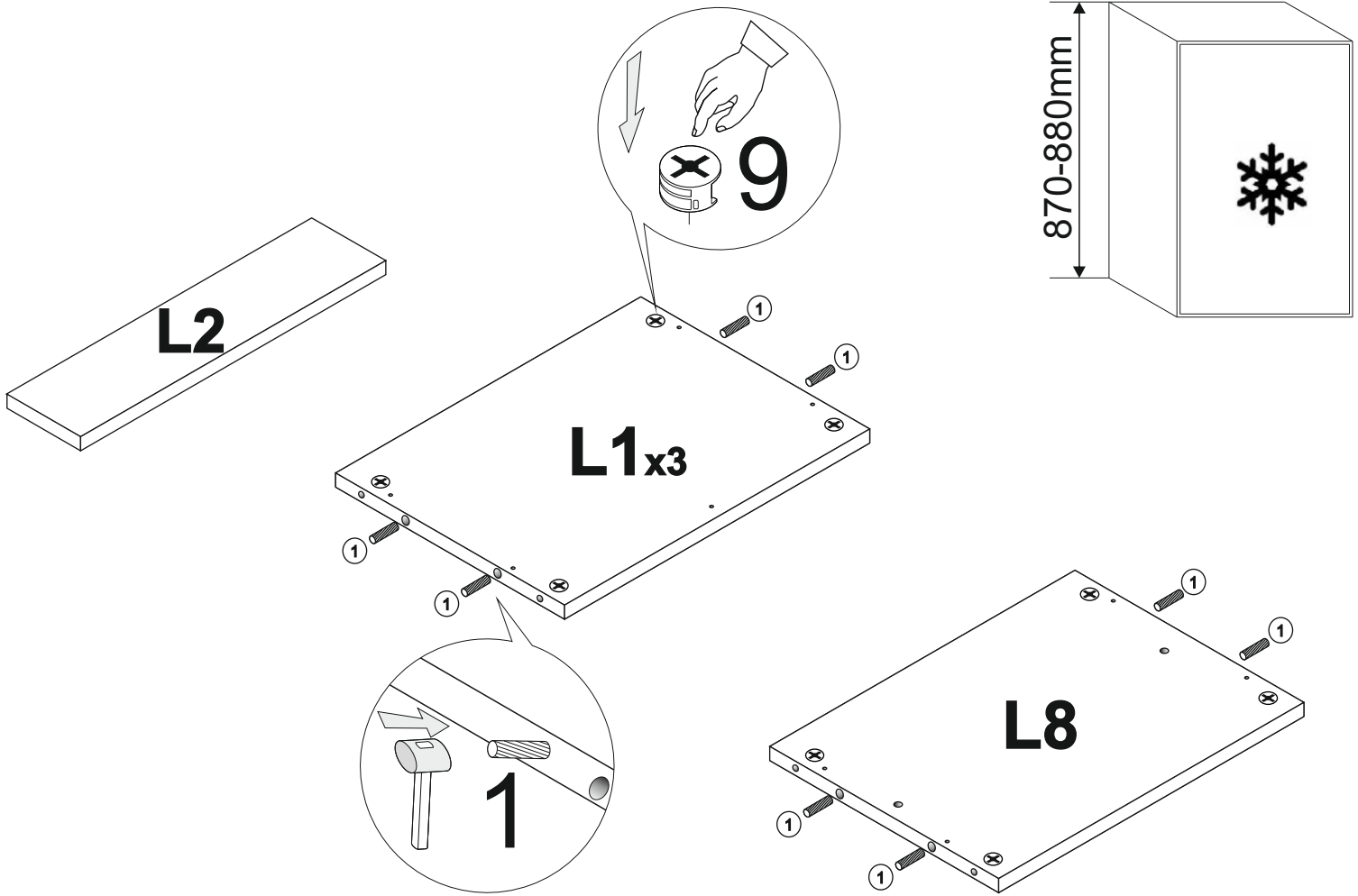
OPTION 6



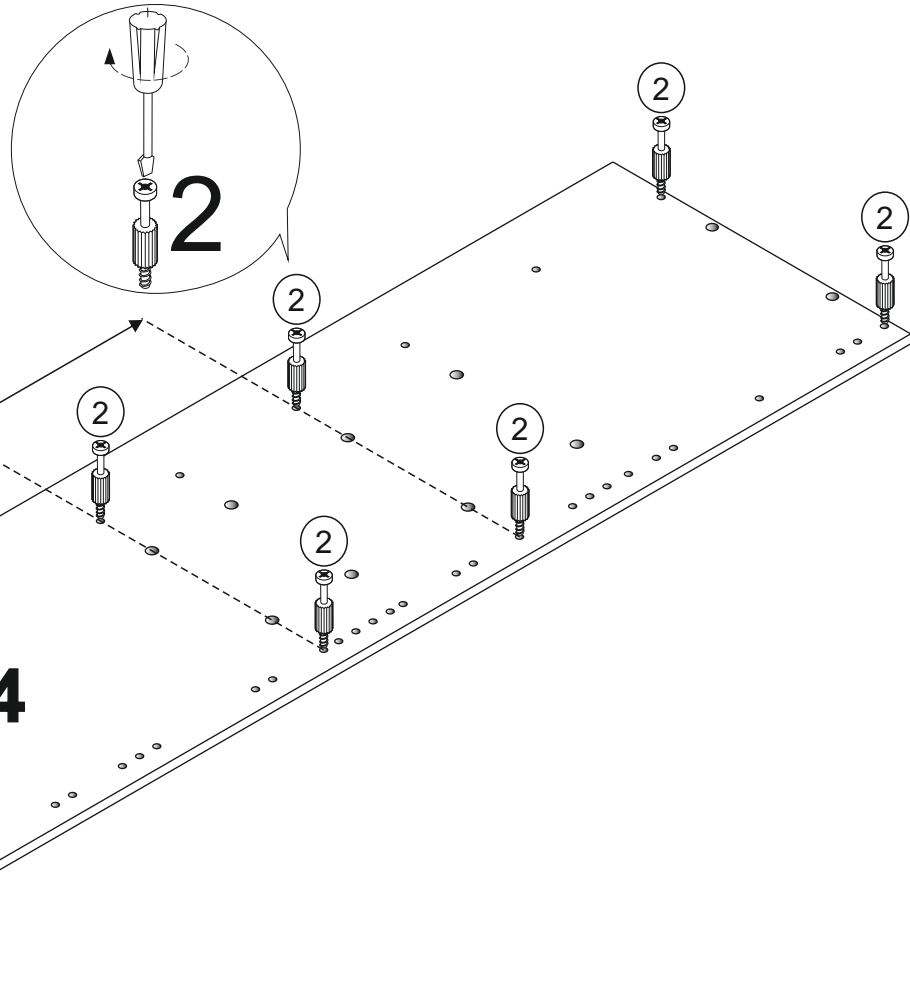
$X > 718\text{mm}$

1

OPTION 1

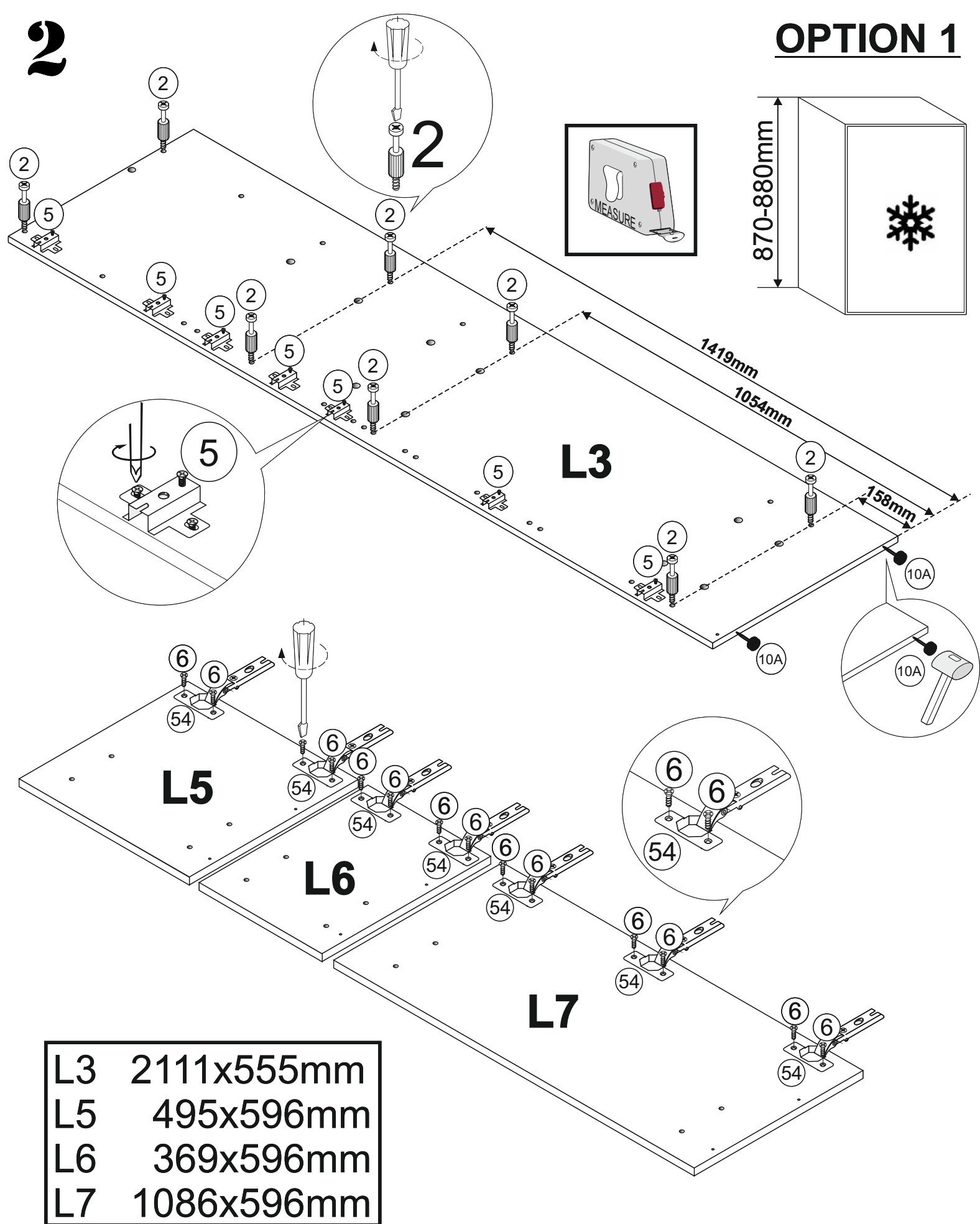


L1	567x510mm
L2	567x150mm
L4	2111x555mm
L8	567x510mm

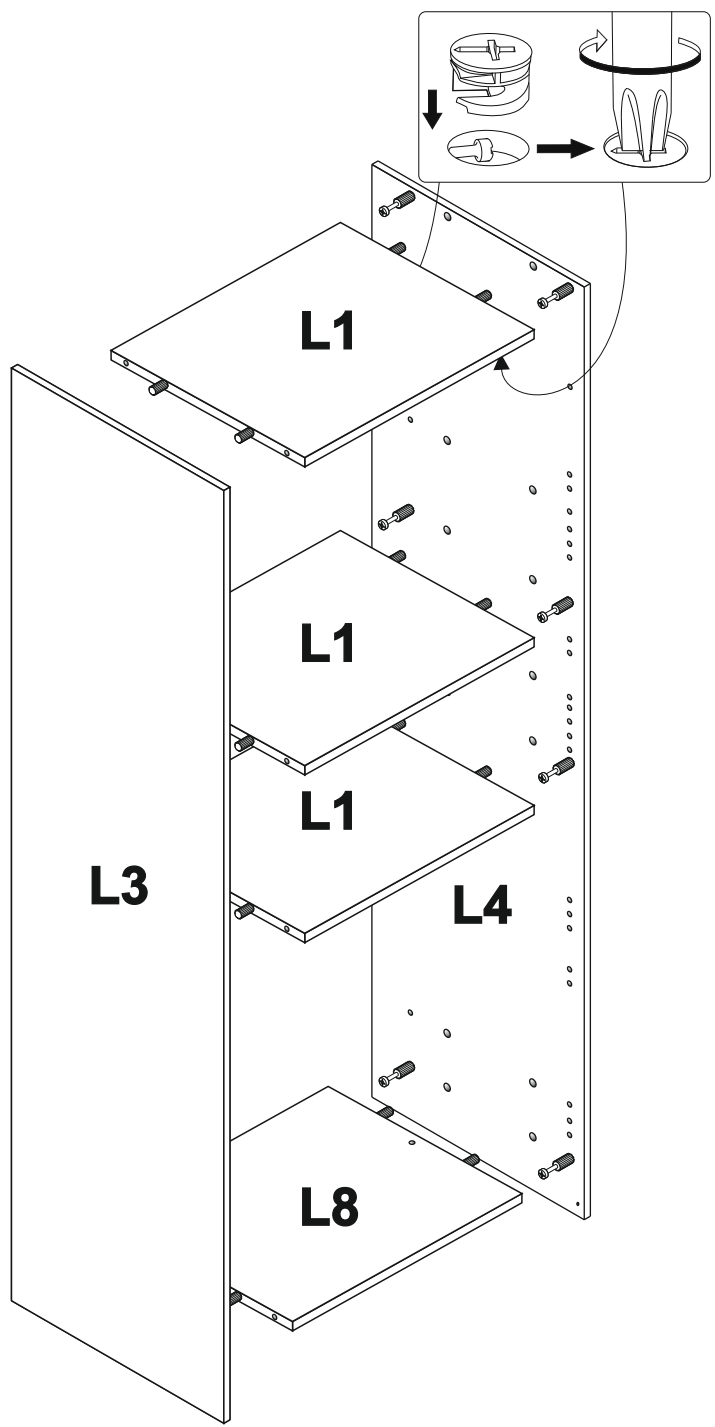


2

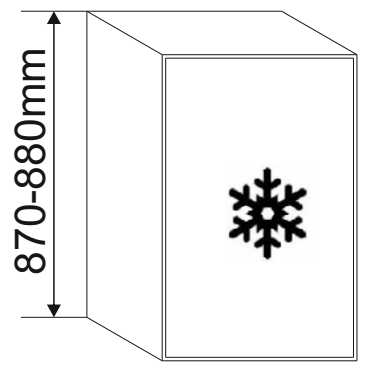
OPTION 1



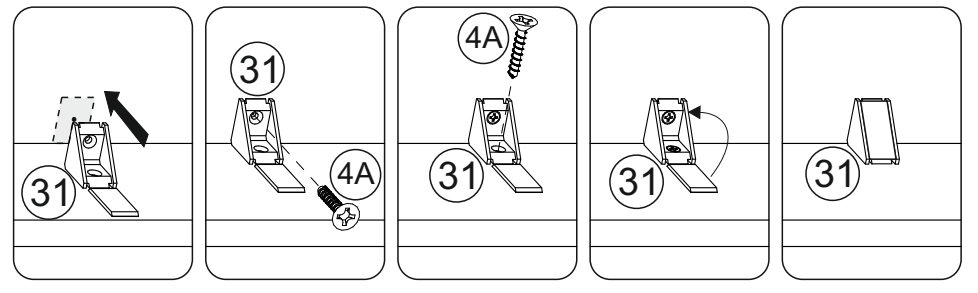
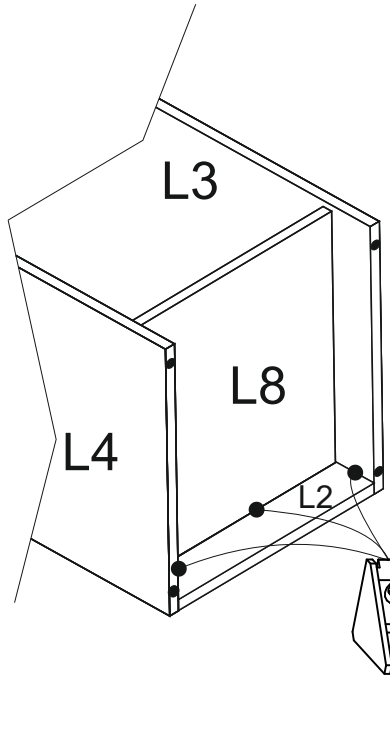
3



OPTION 1



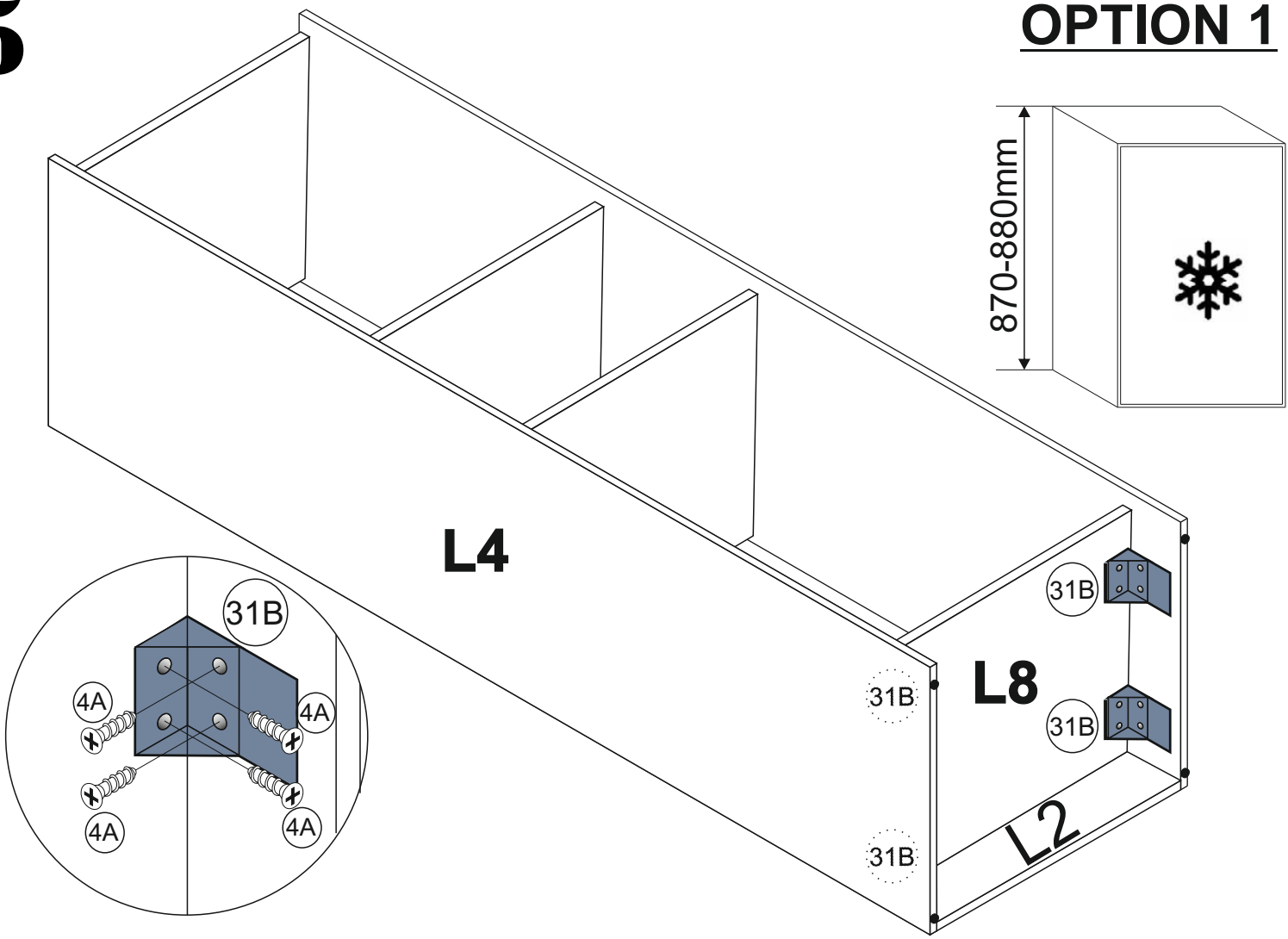
4



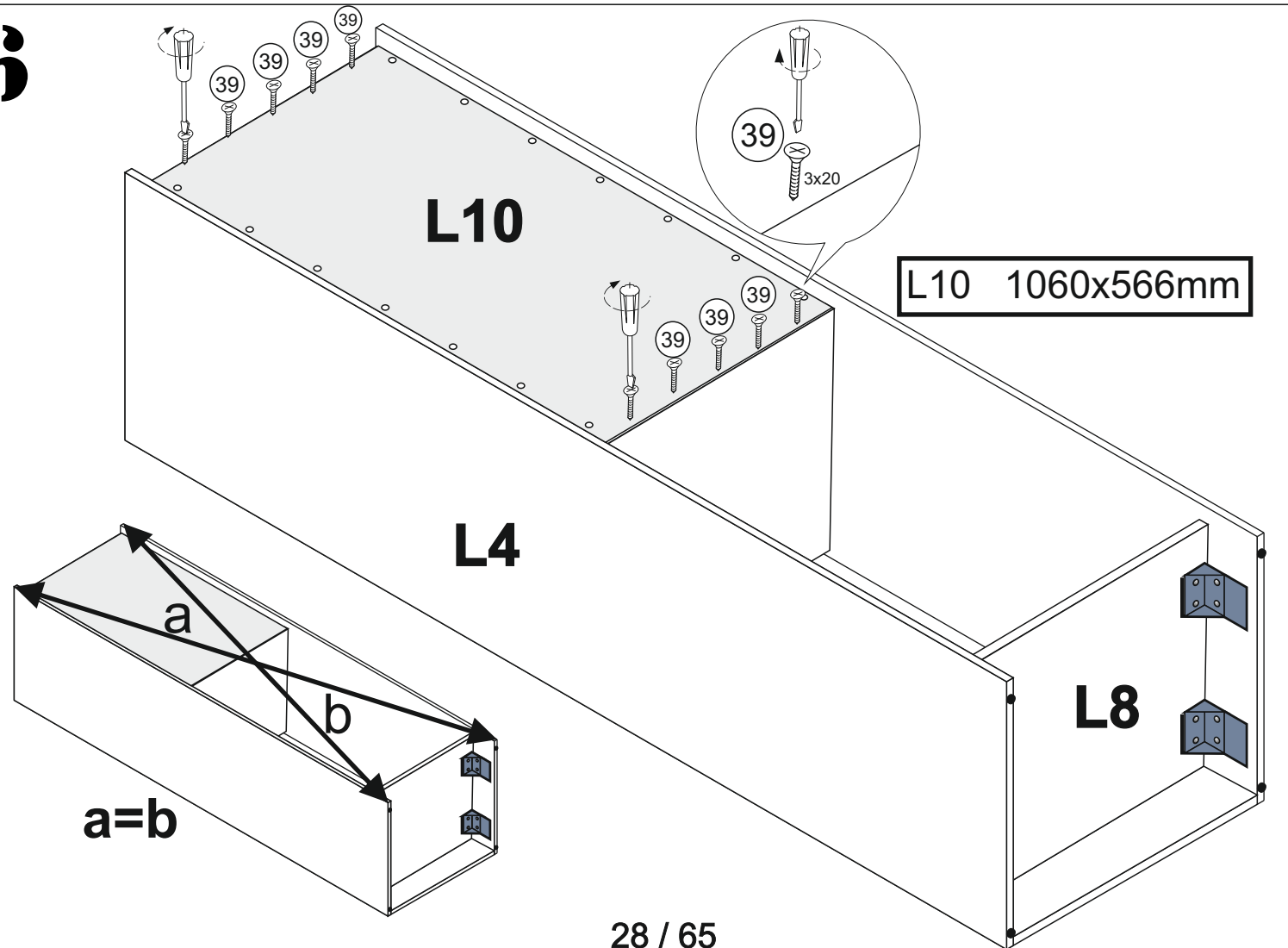
31 x3

5

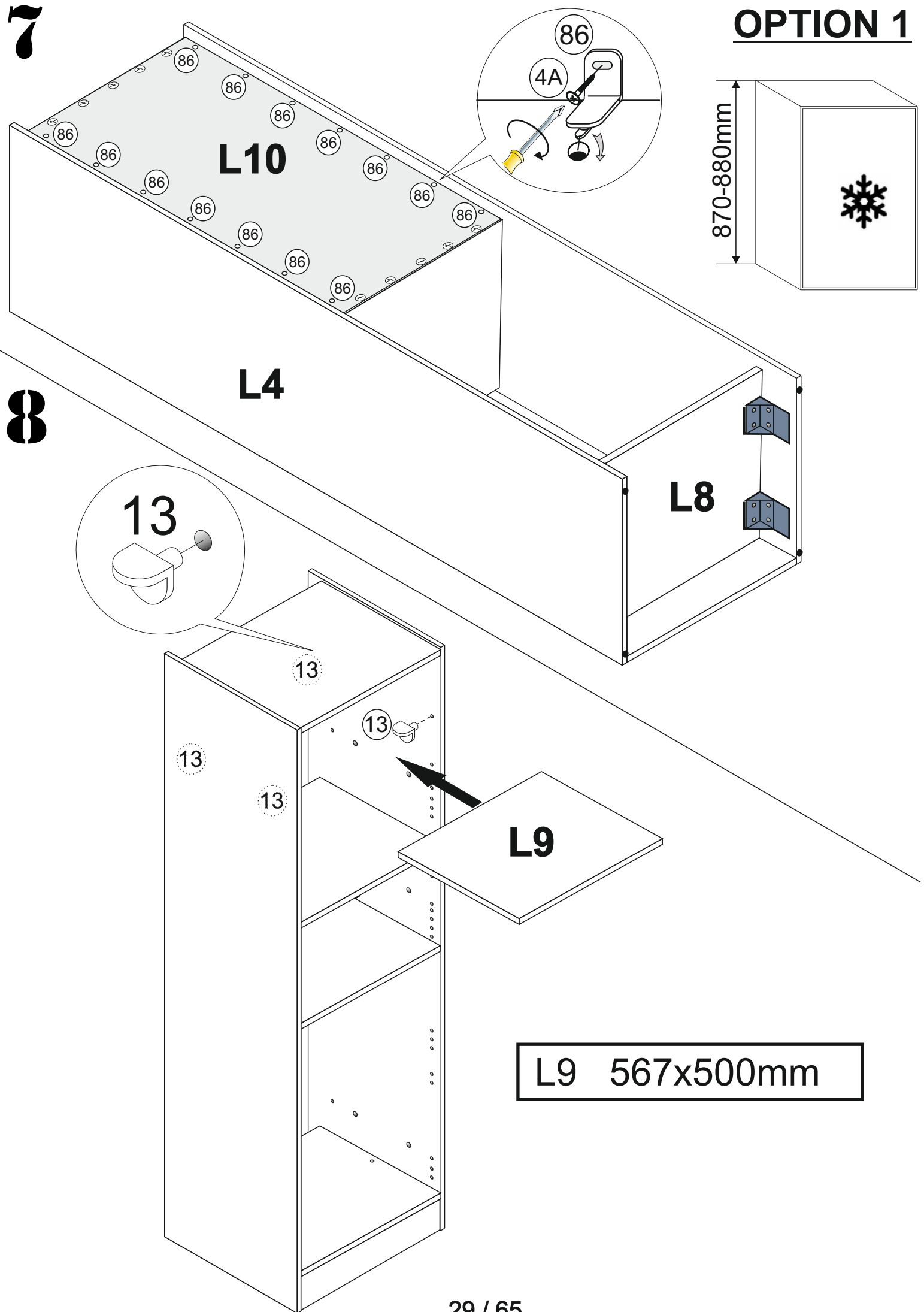
OPTION 1

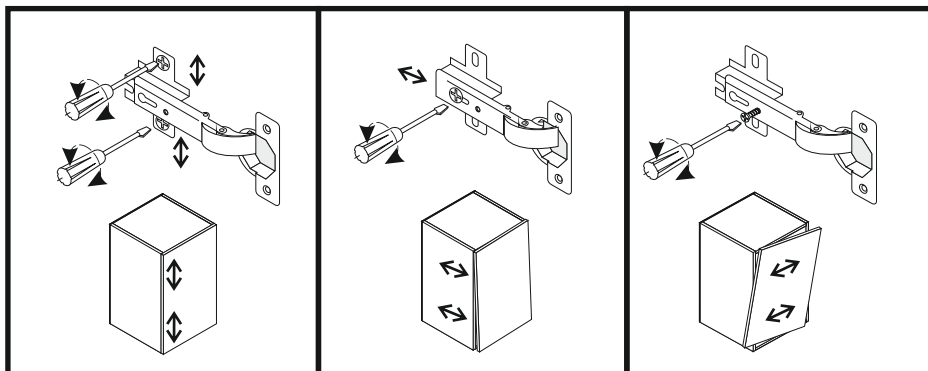
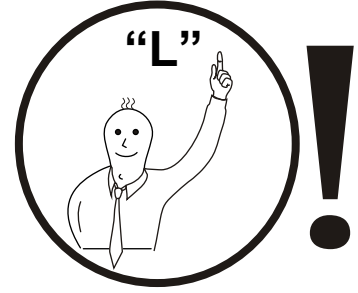
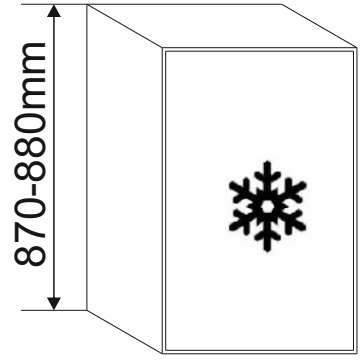
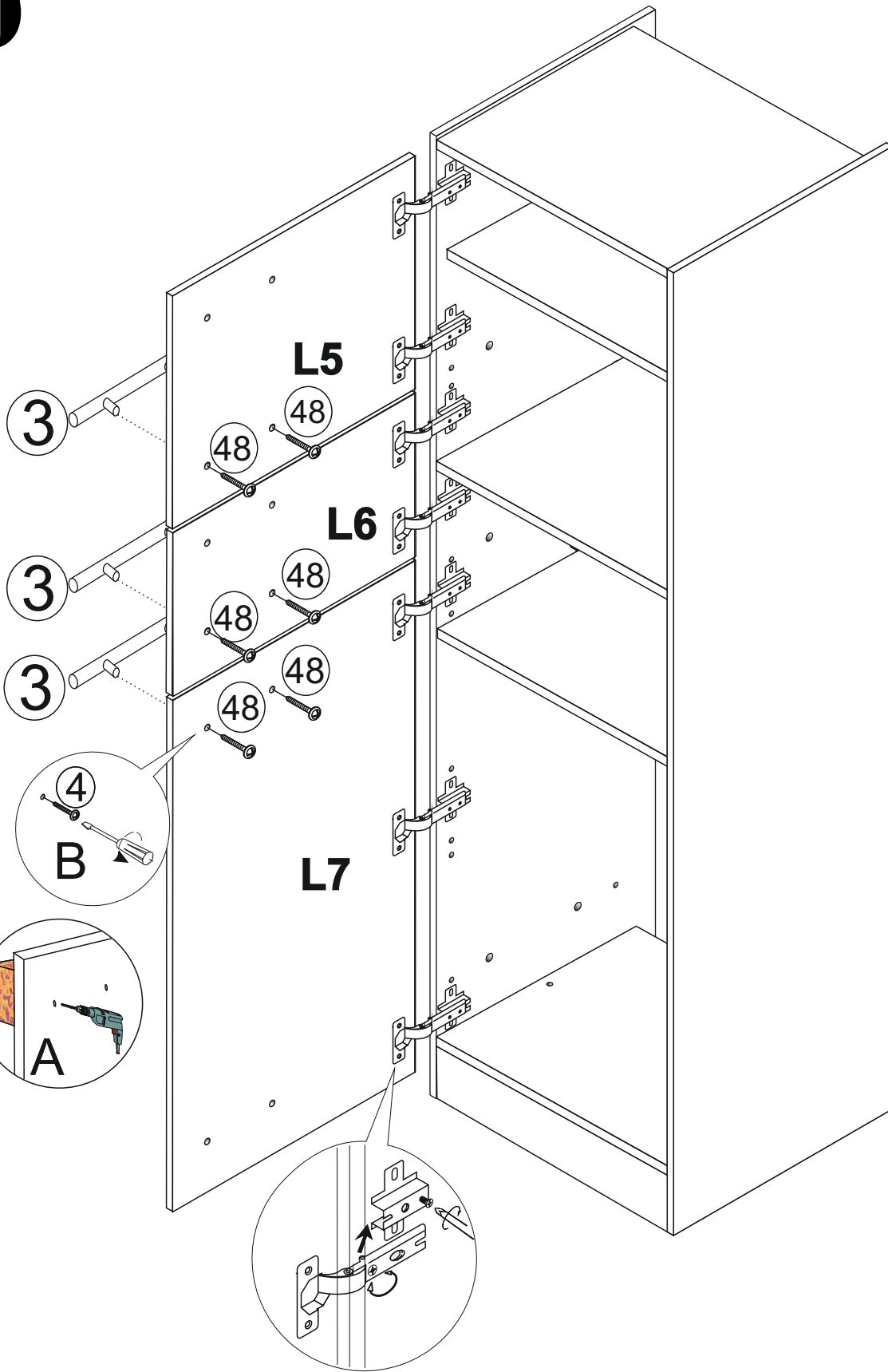


6



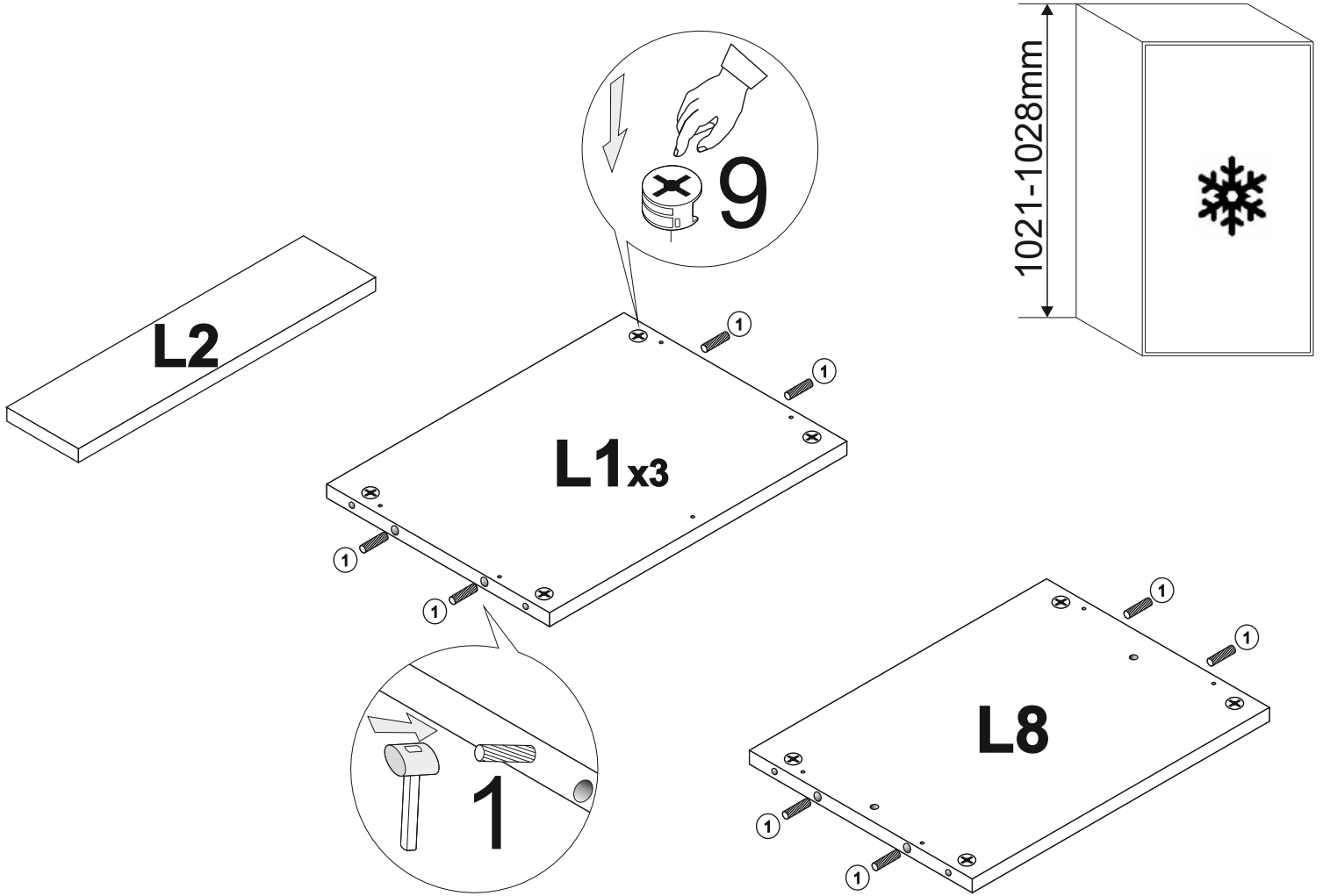
OPTION 1



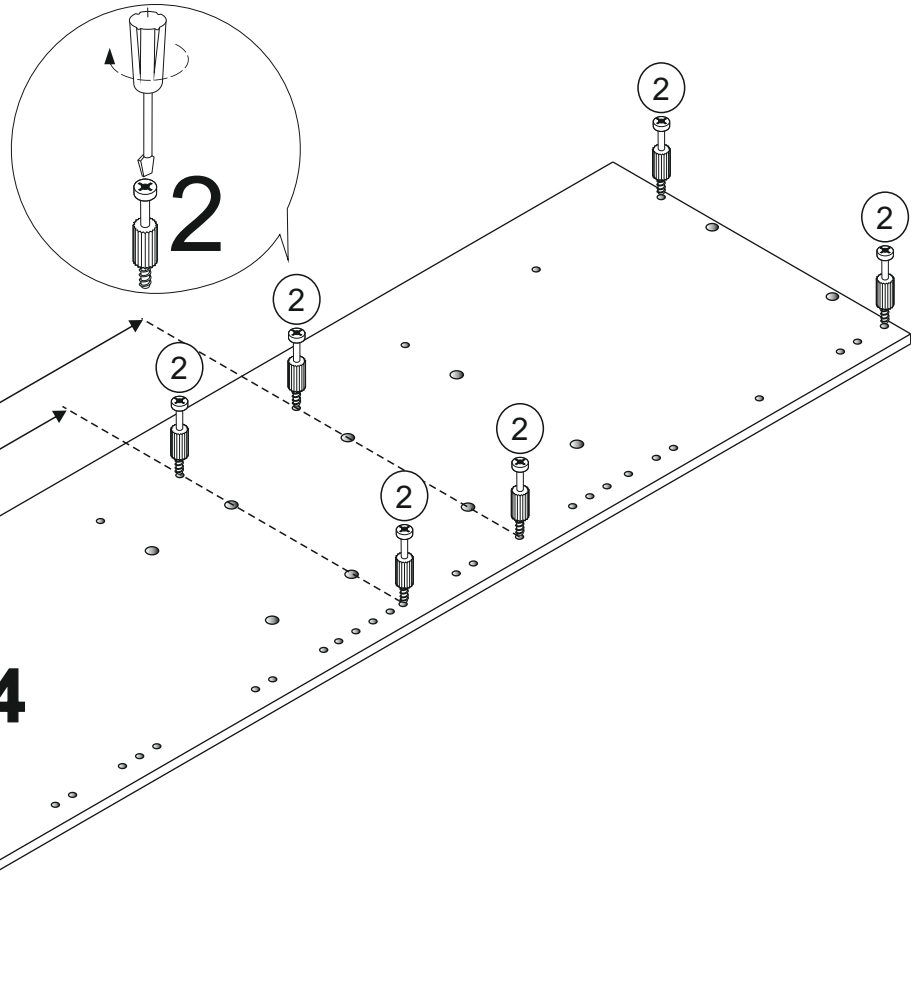


1

OPTION 2

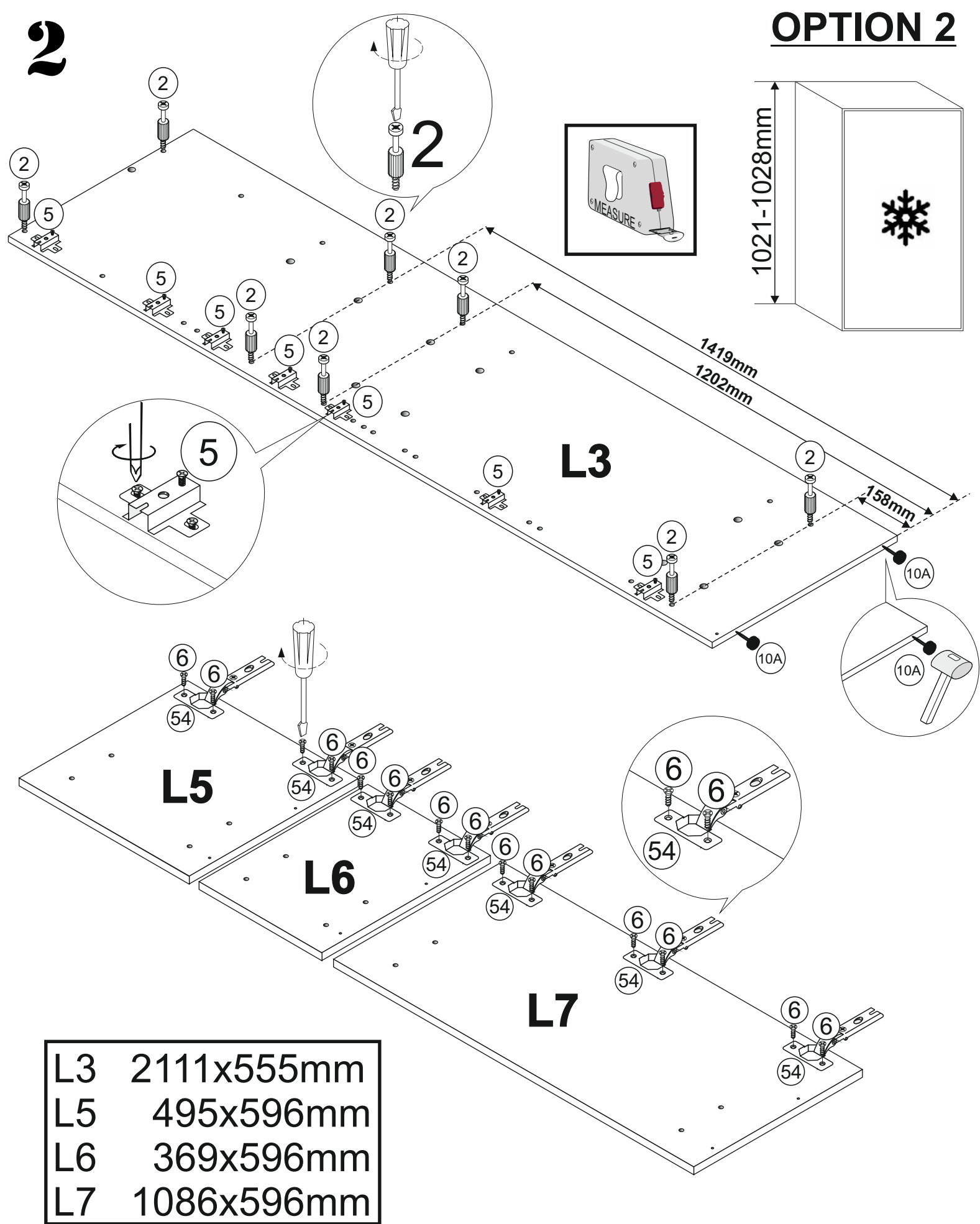


L1	567x510mm
L2	567x150mm
L4	2111x555mm
L8	567x510mm

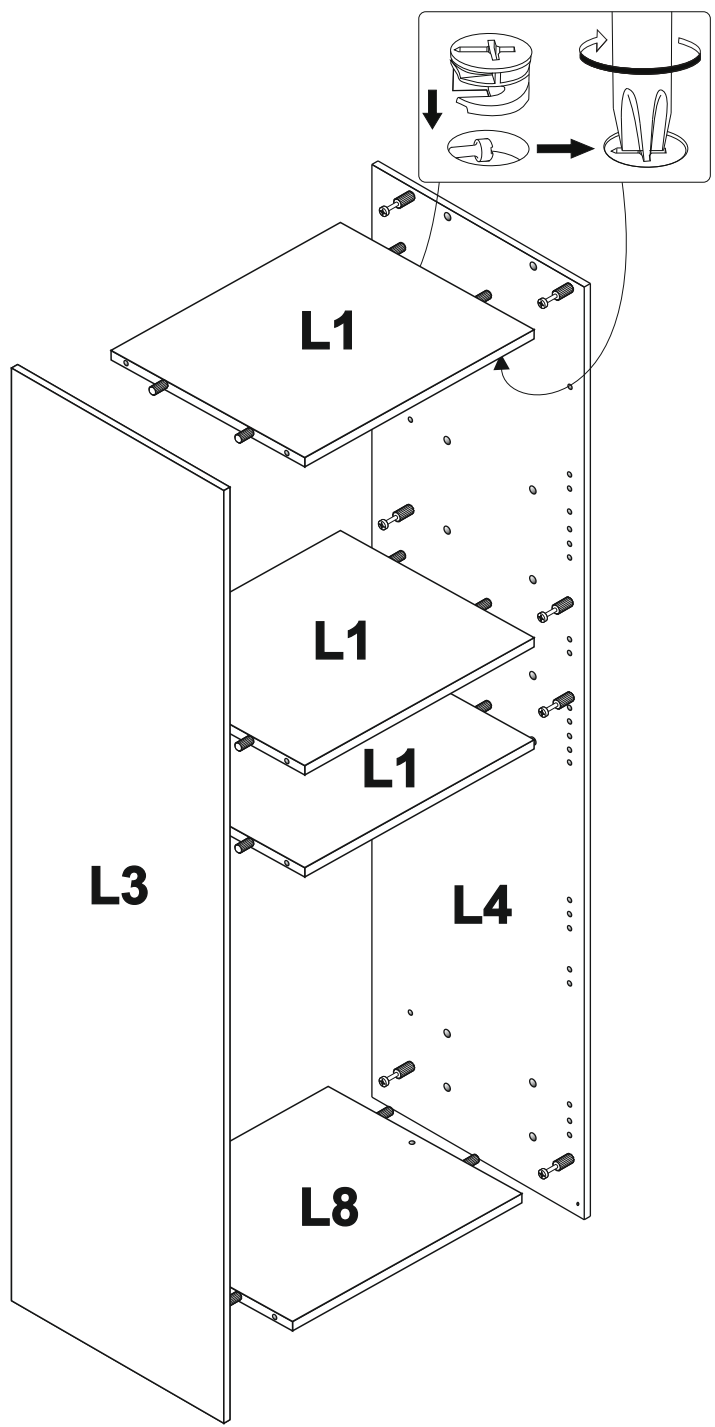


2

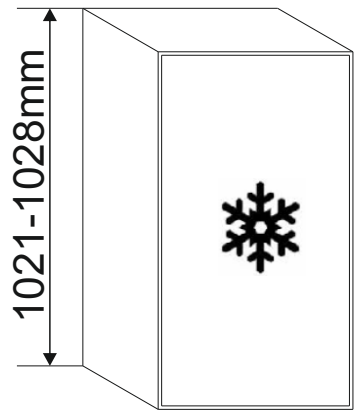
OPTION 2



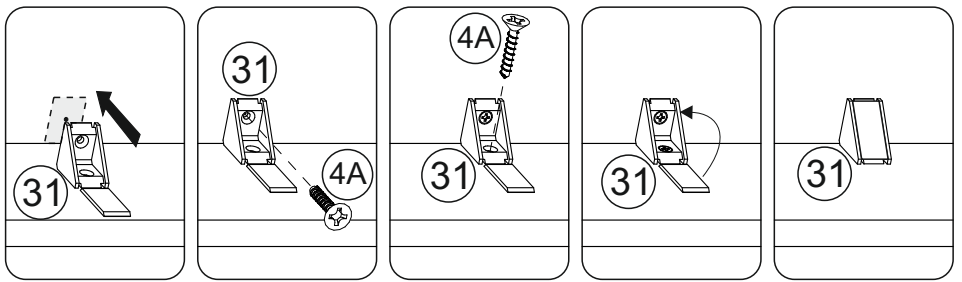
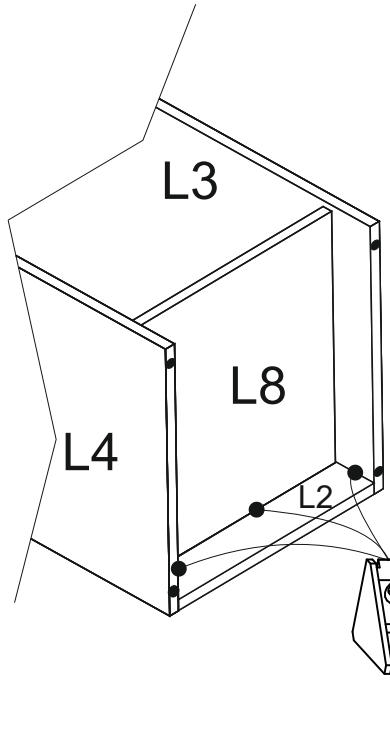
3



OPTION 2



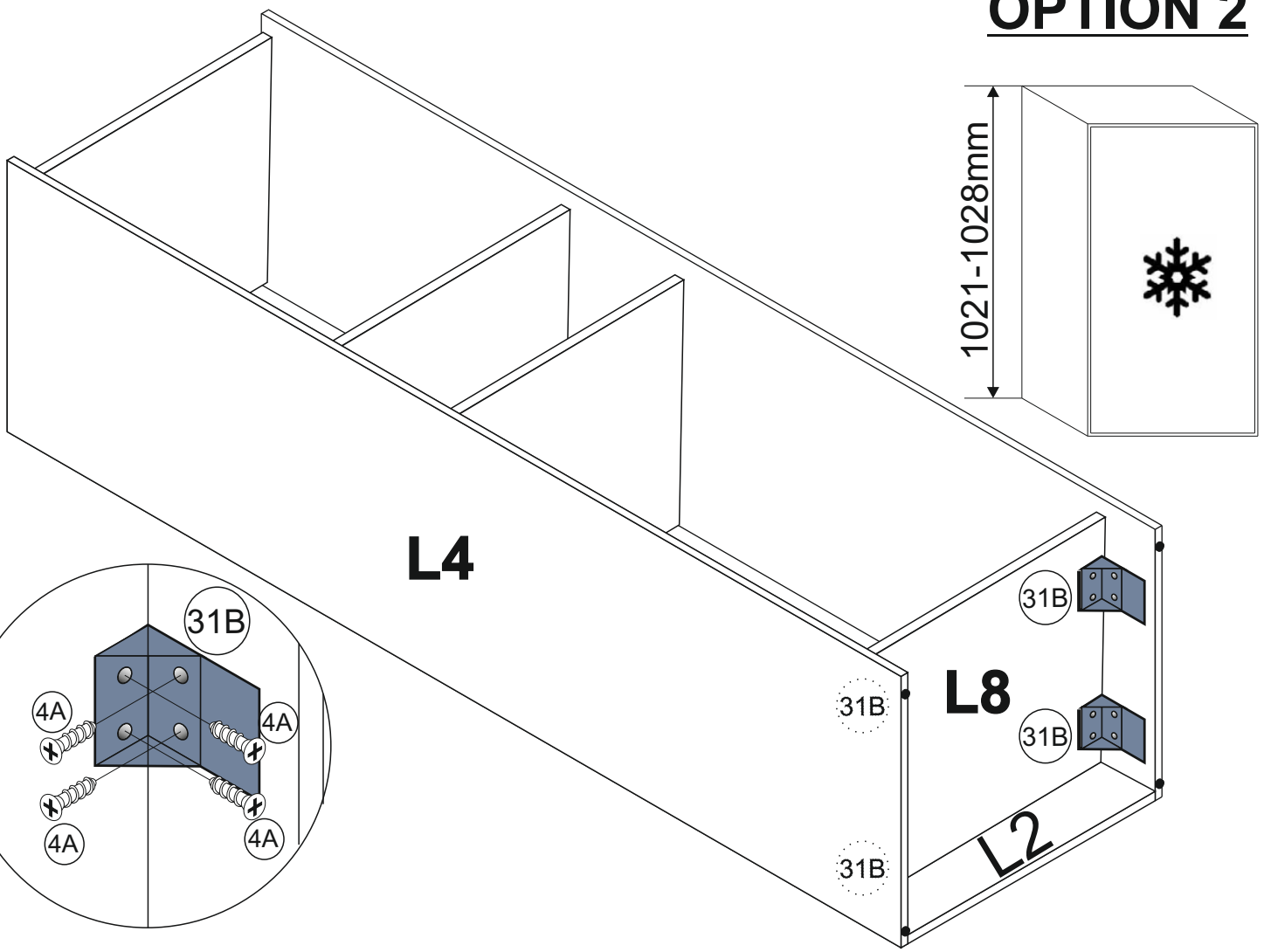
4



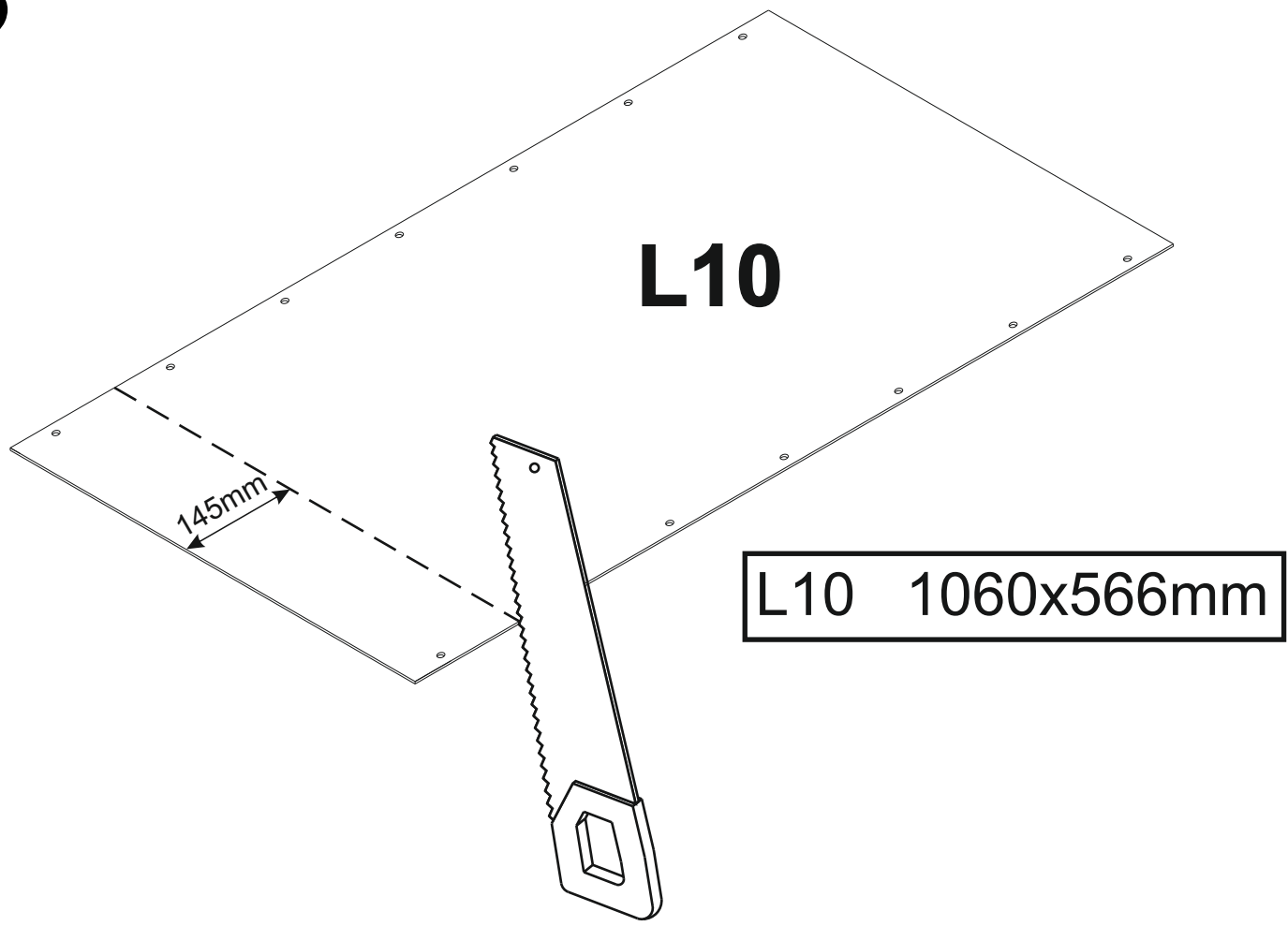
31 x3

5

OPTION 2

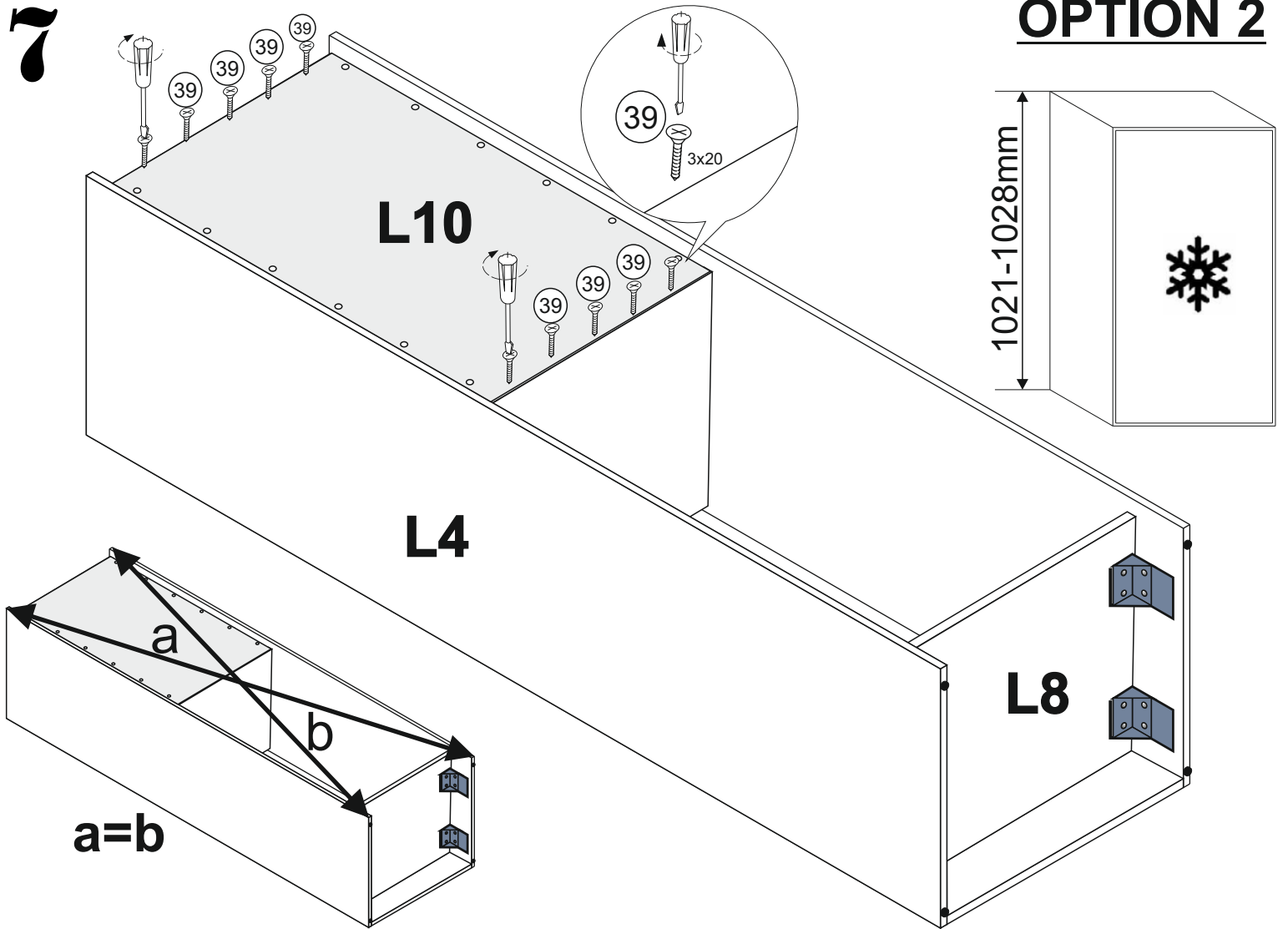


6

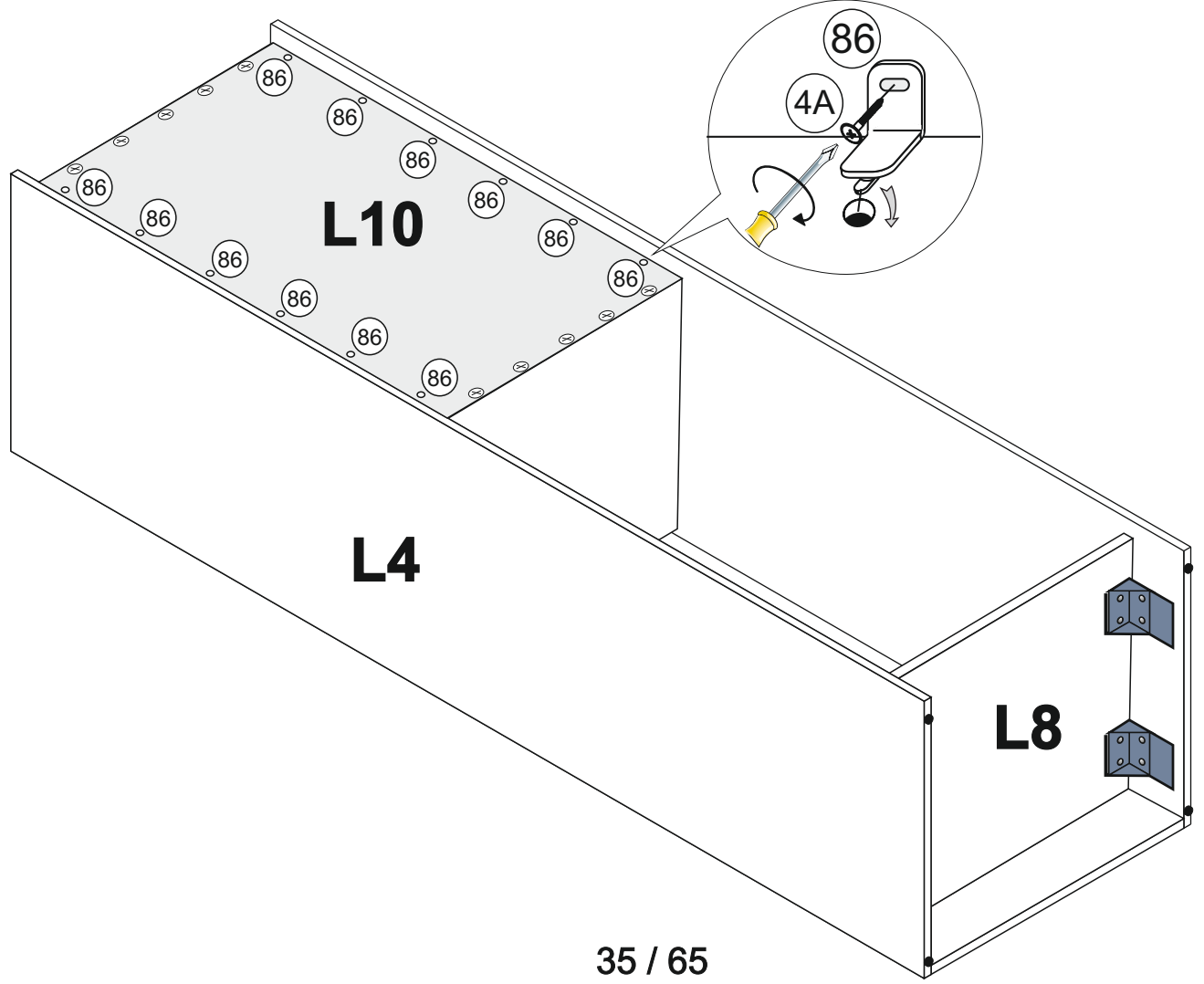


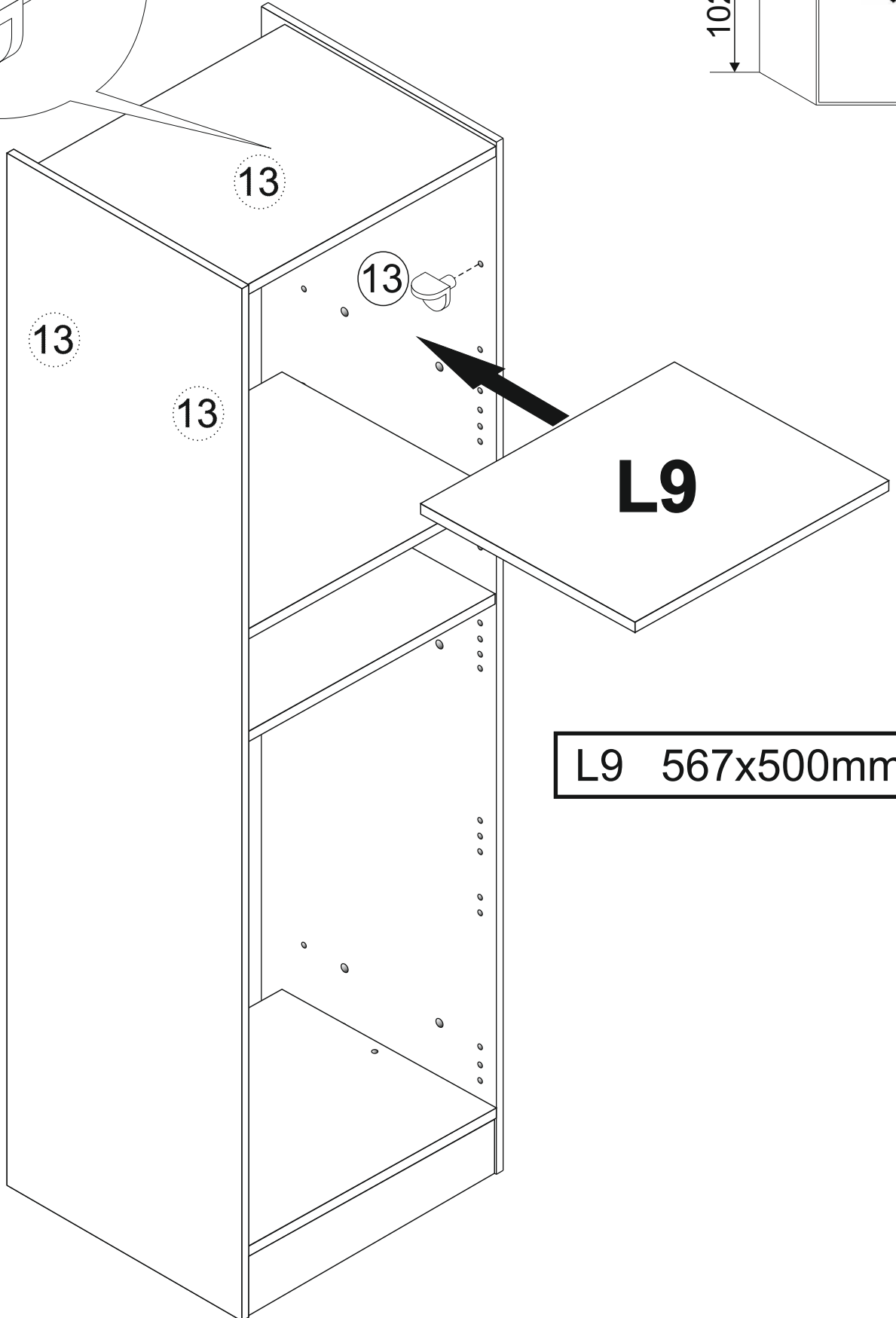
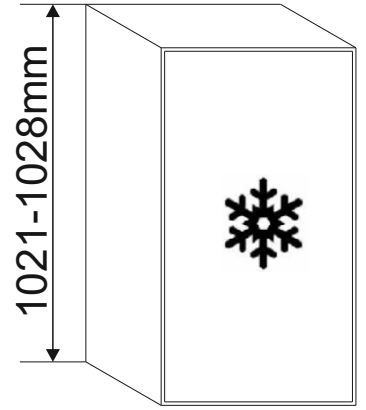
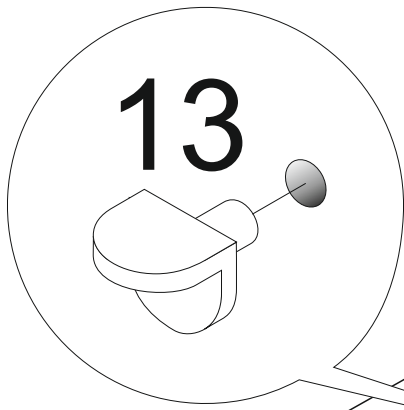
OPTION 2

7

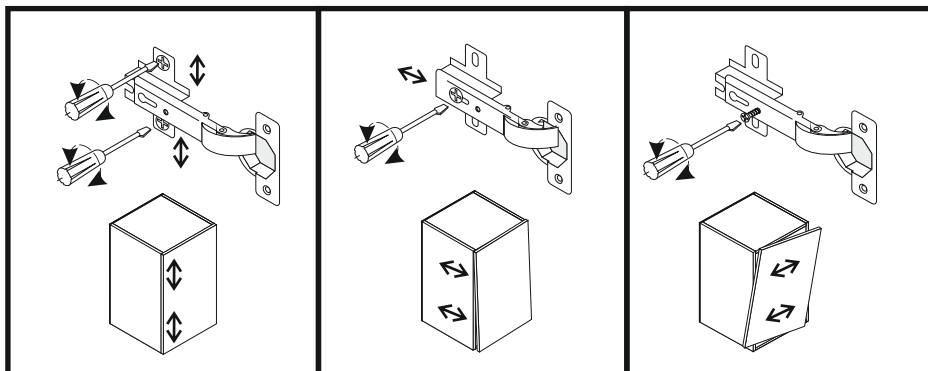
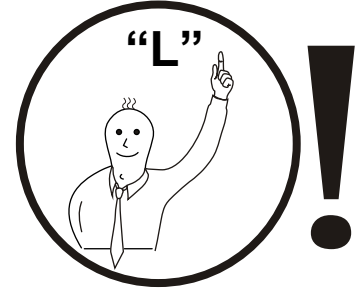
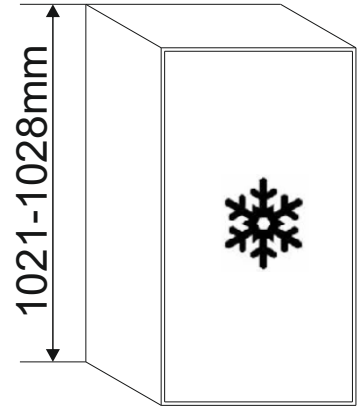
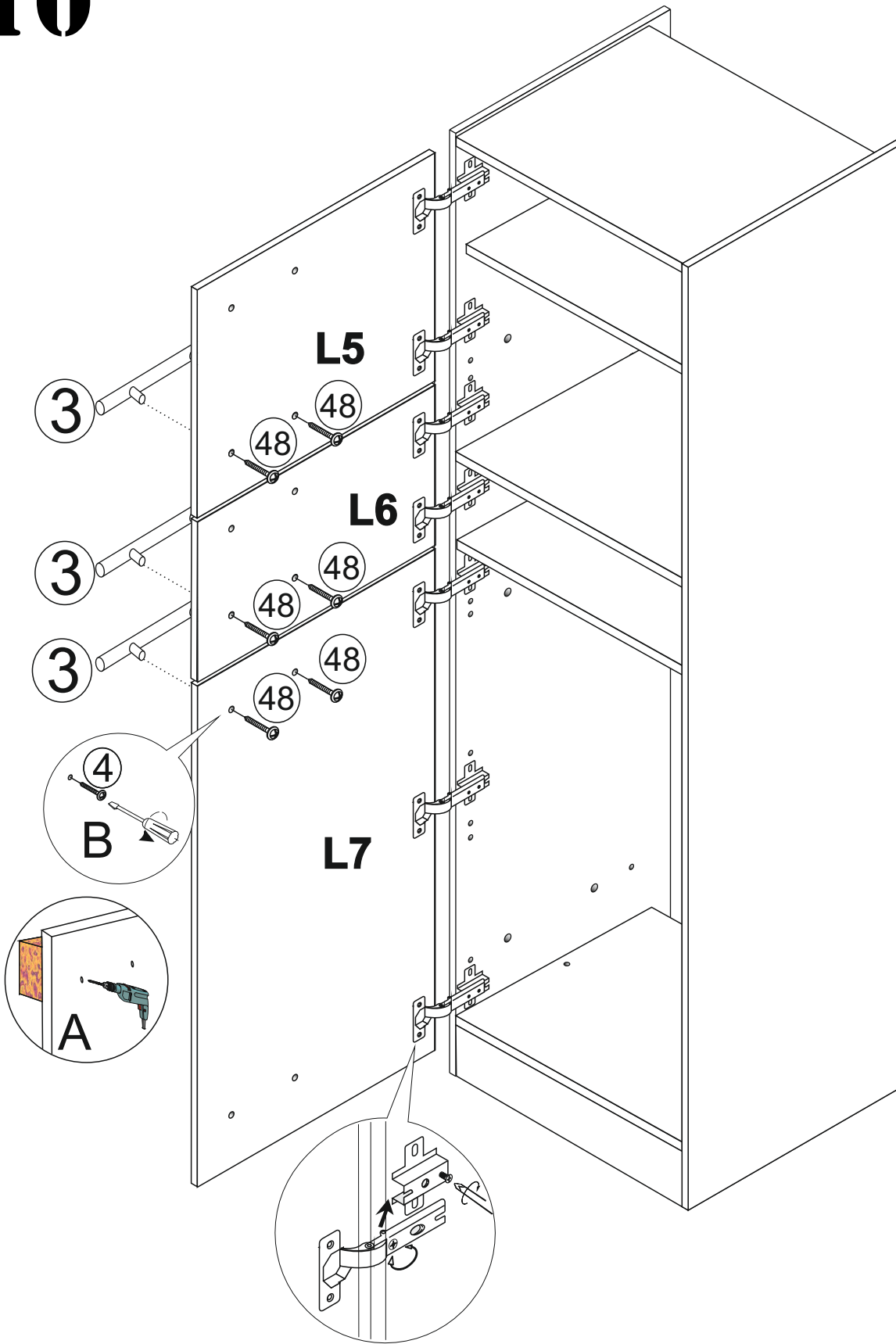


8



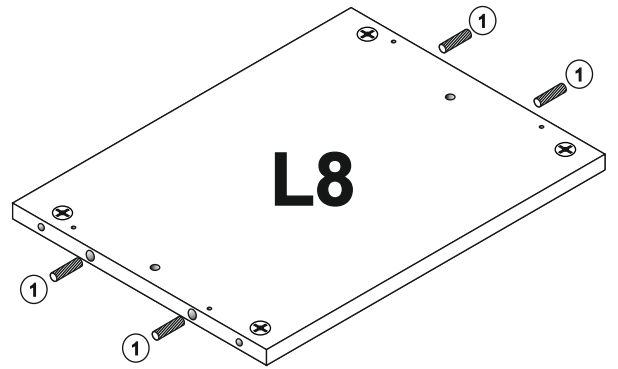
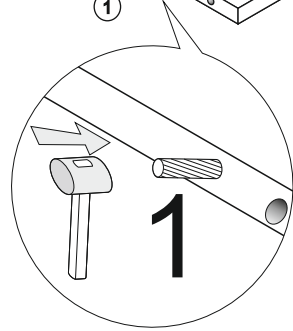
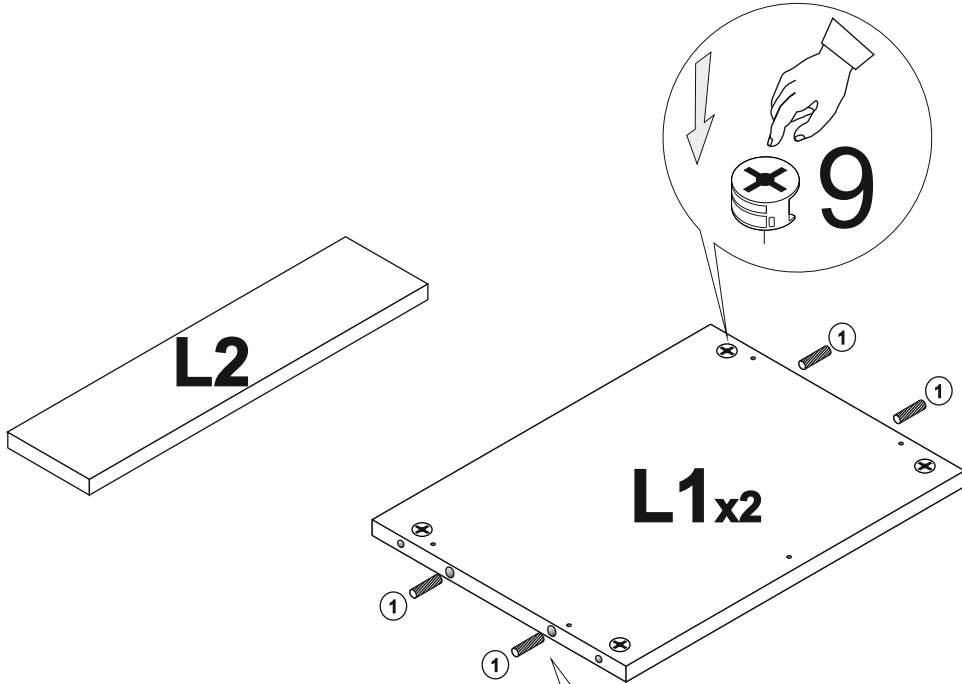
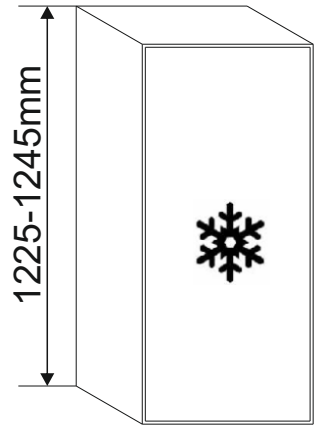


L9 567x500mm

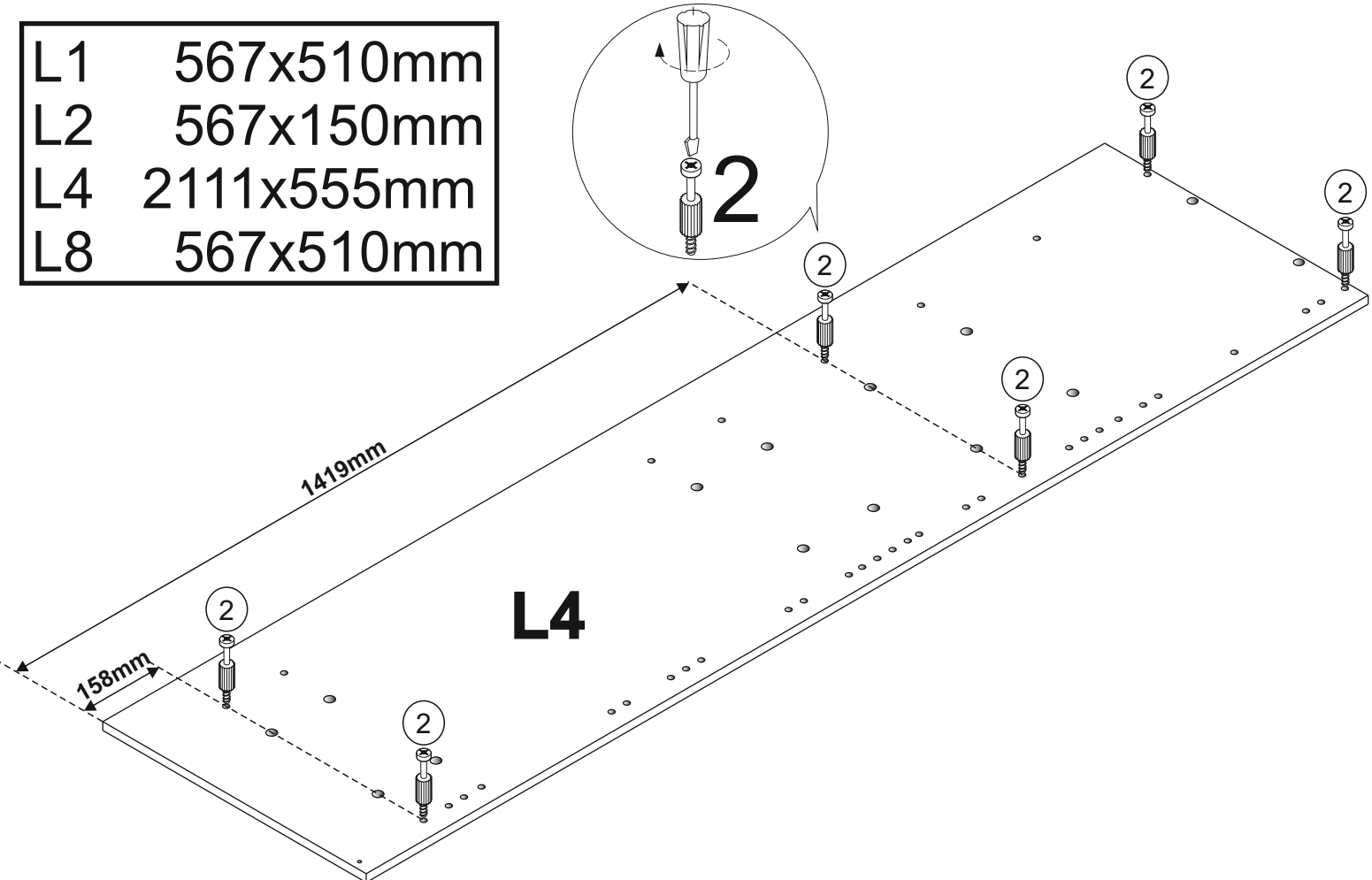
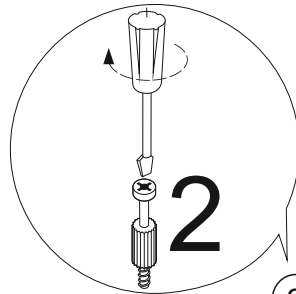


1

OPTION 3

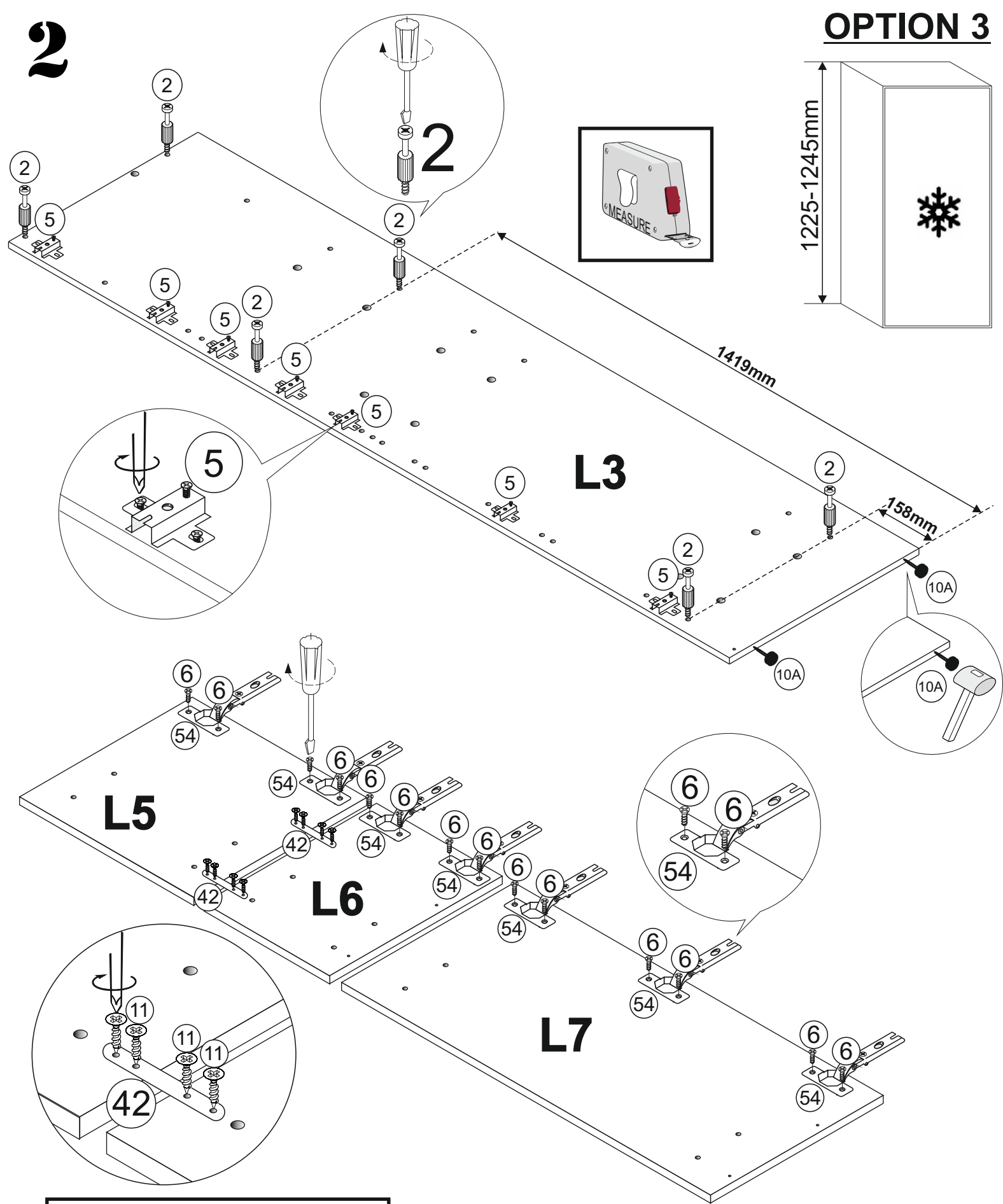


L1	567x510mm
L2	567x150mm
L4	2111x555mm
L8	567x510mm



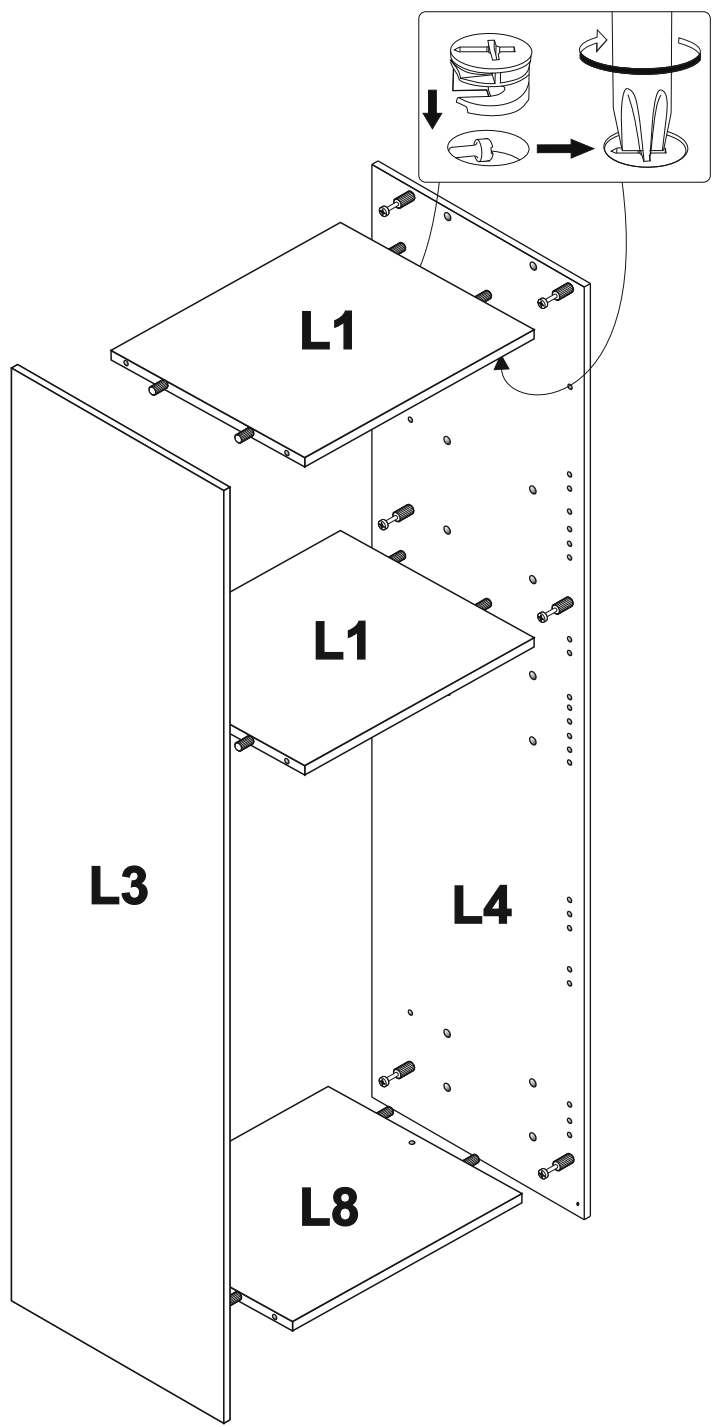
2

OPTION 3

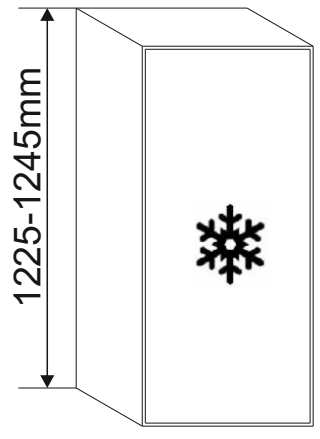


L3	2111x555mm
L5	495x596mm
L6	369x596mm
L7	1086x596mm

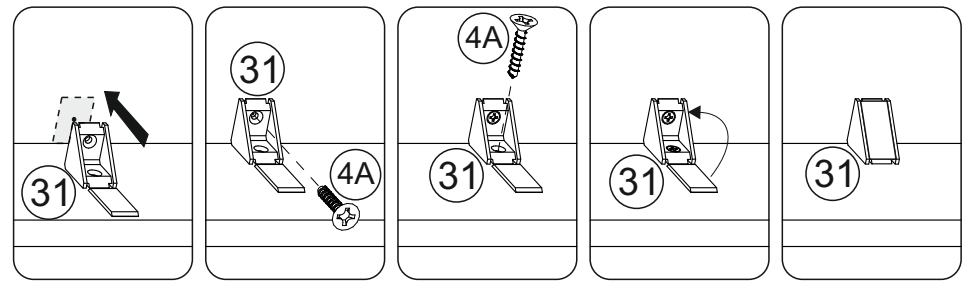
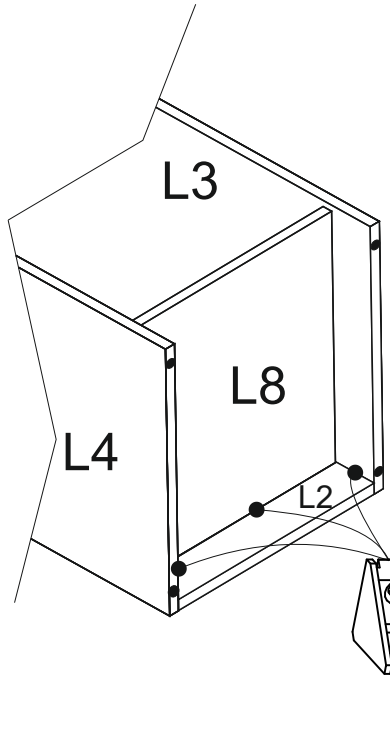
3



OPTION 3



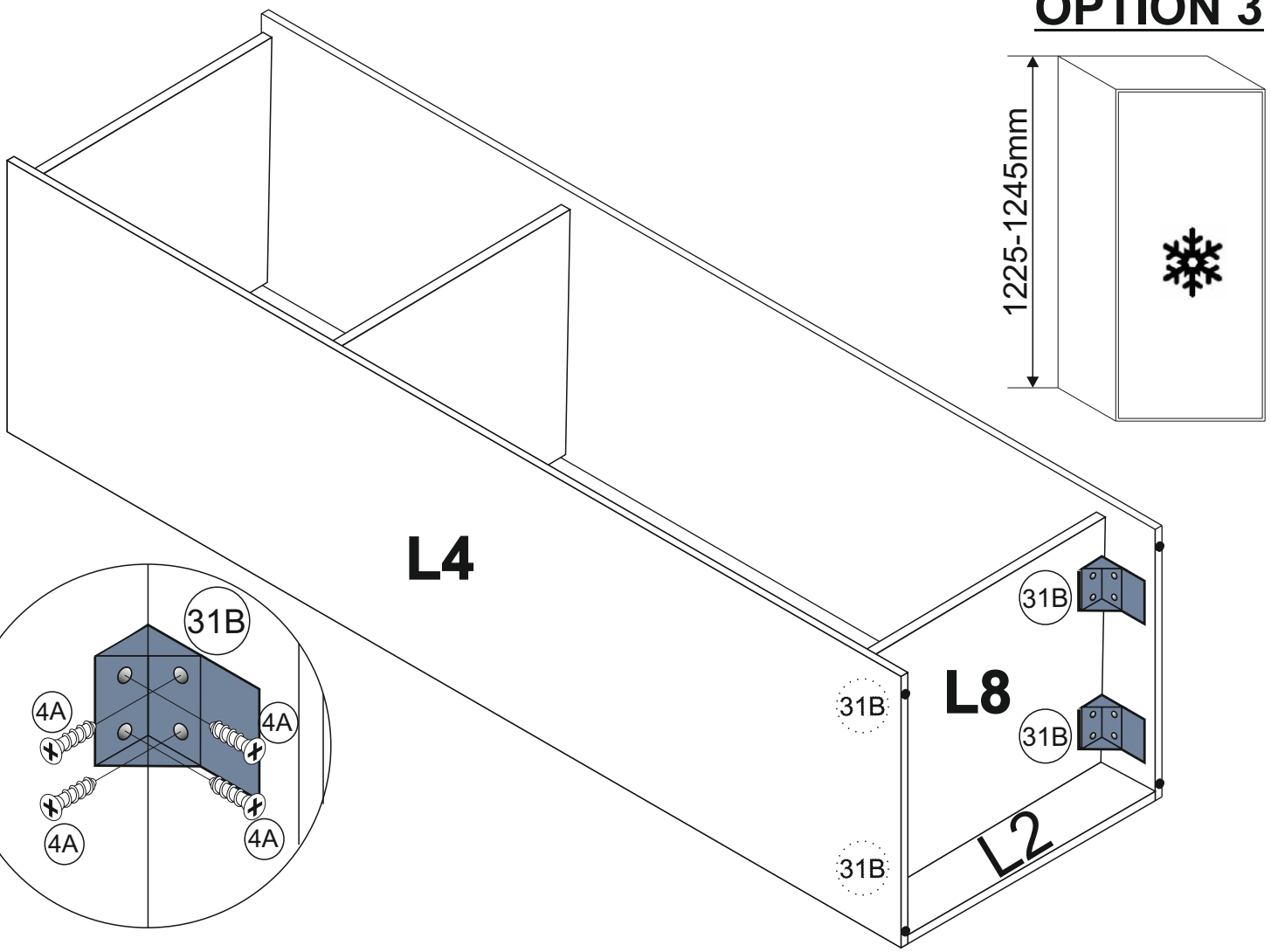
4



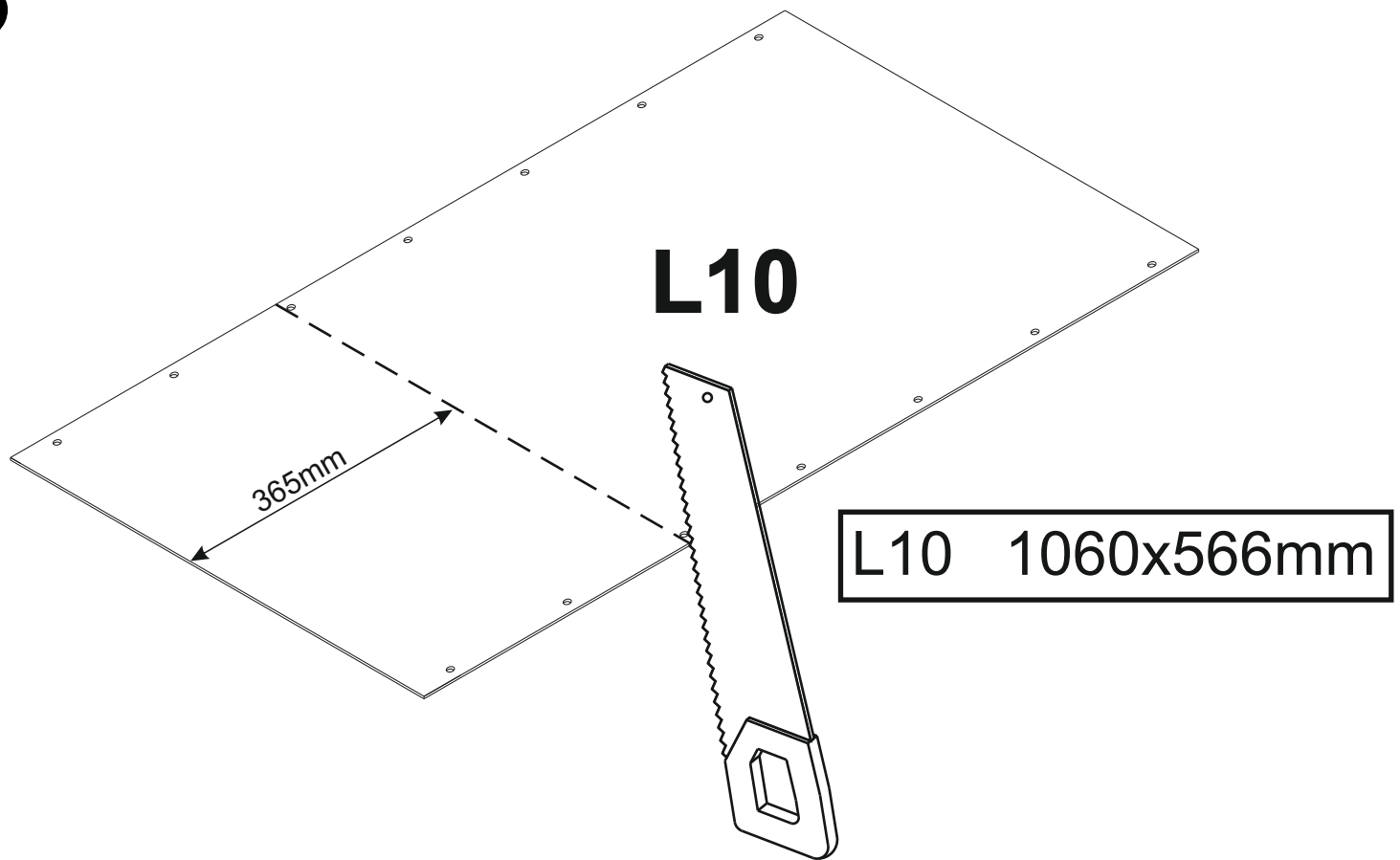
31 x3

5

OPTION 3

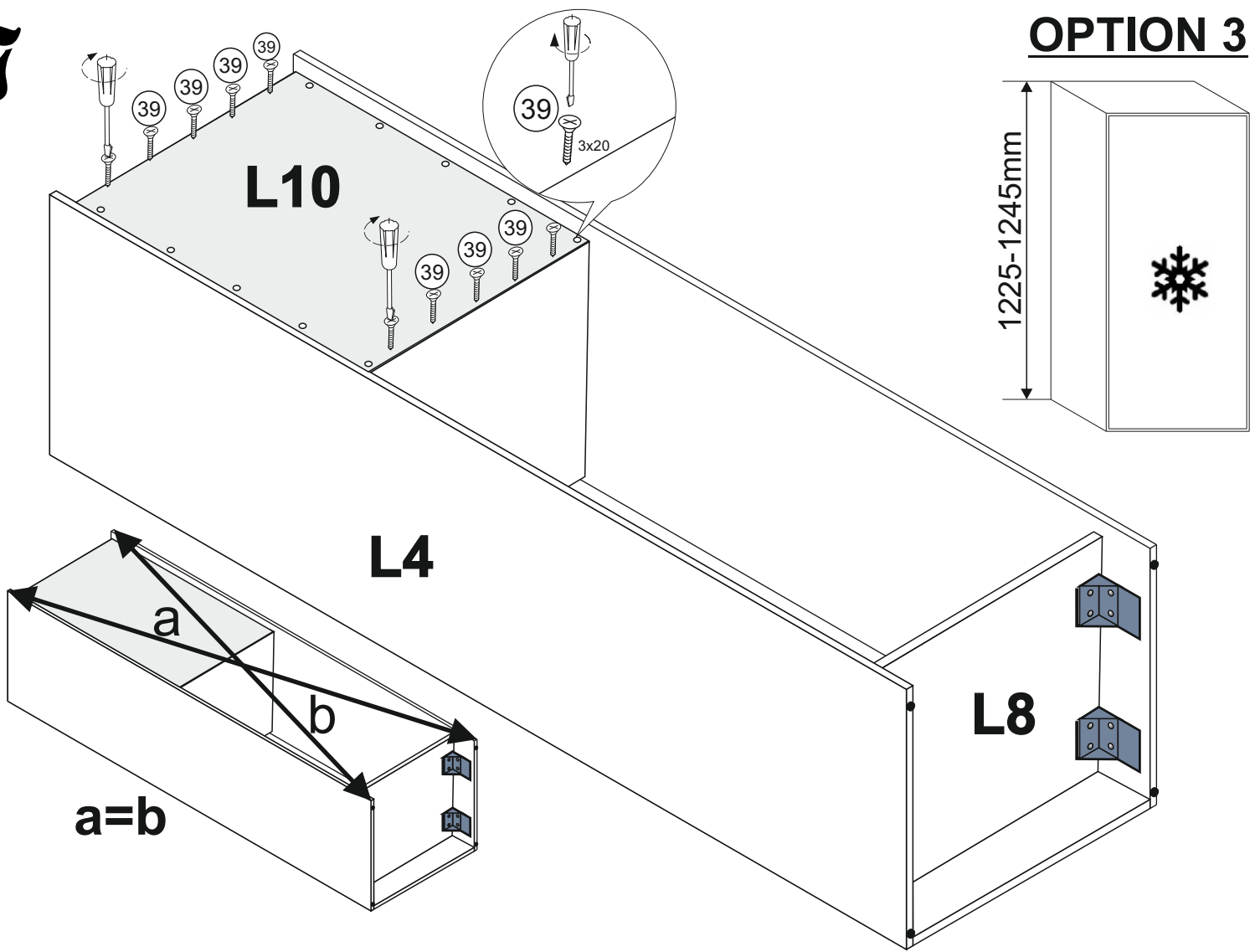


6

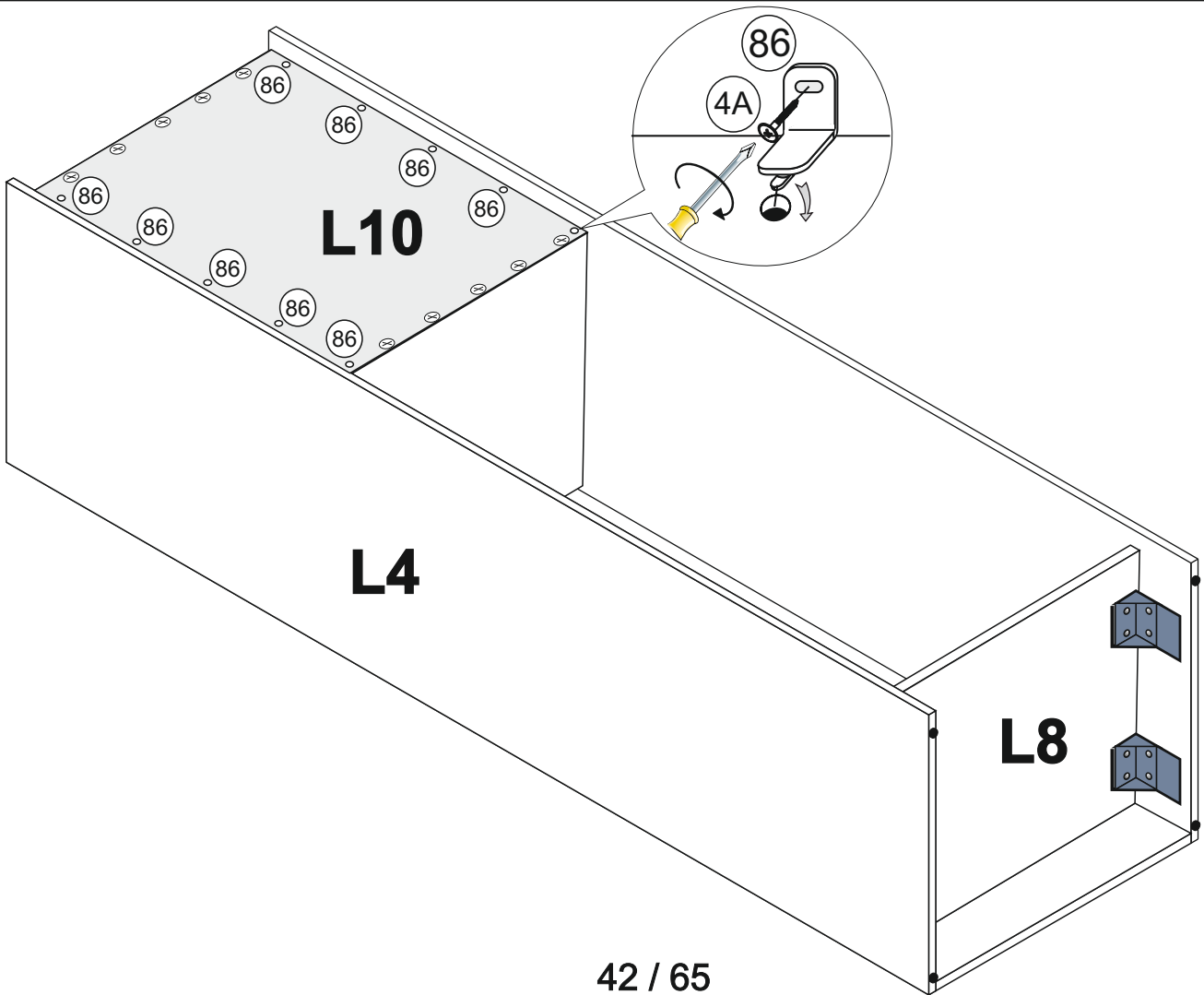


OPTION 3

7

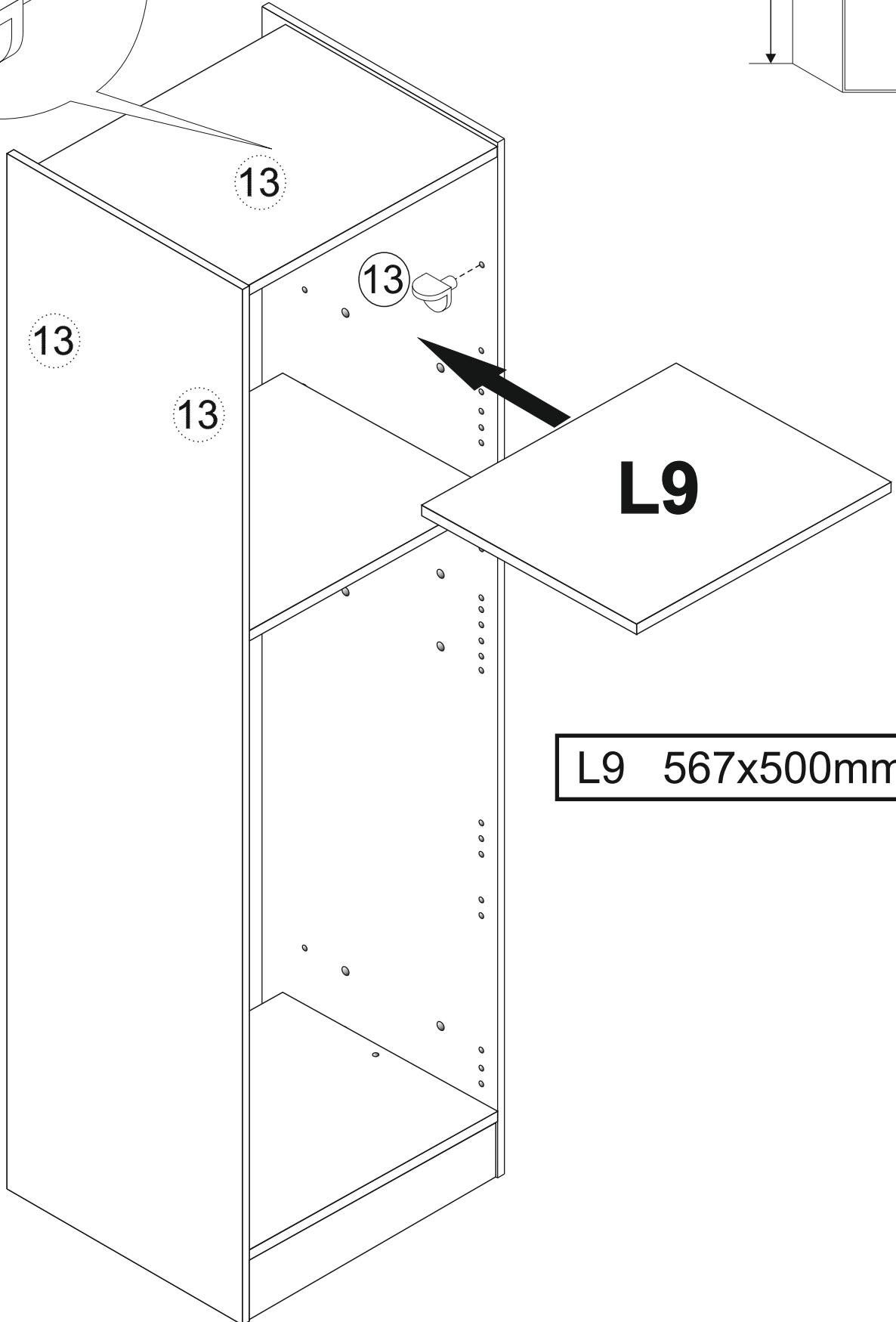
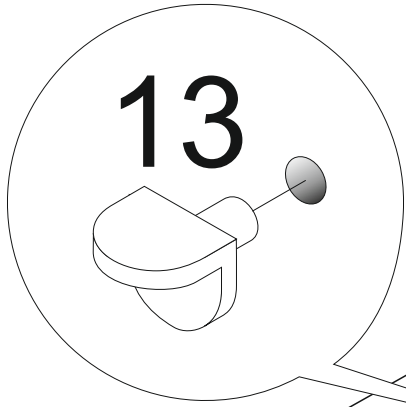
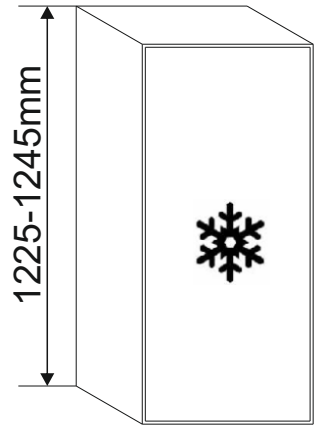


8

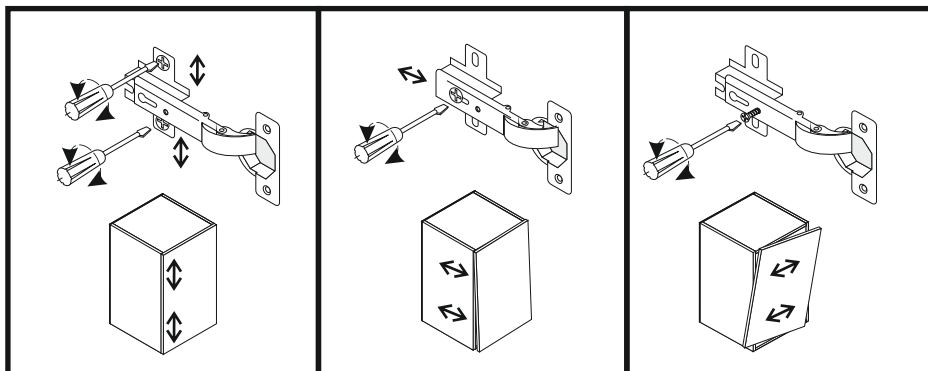
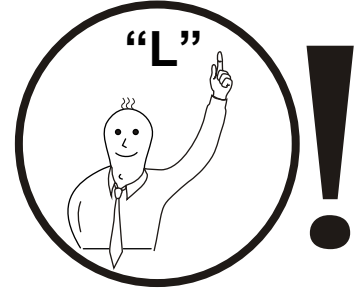
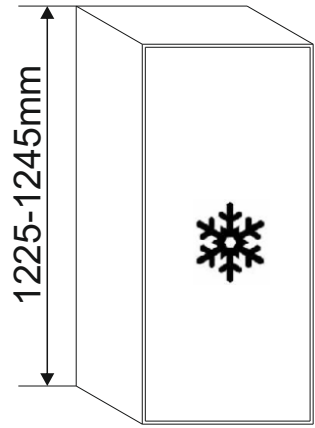
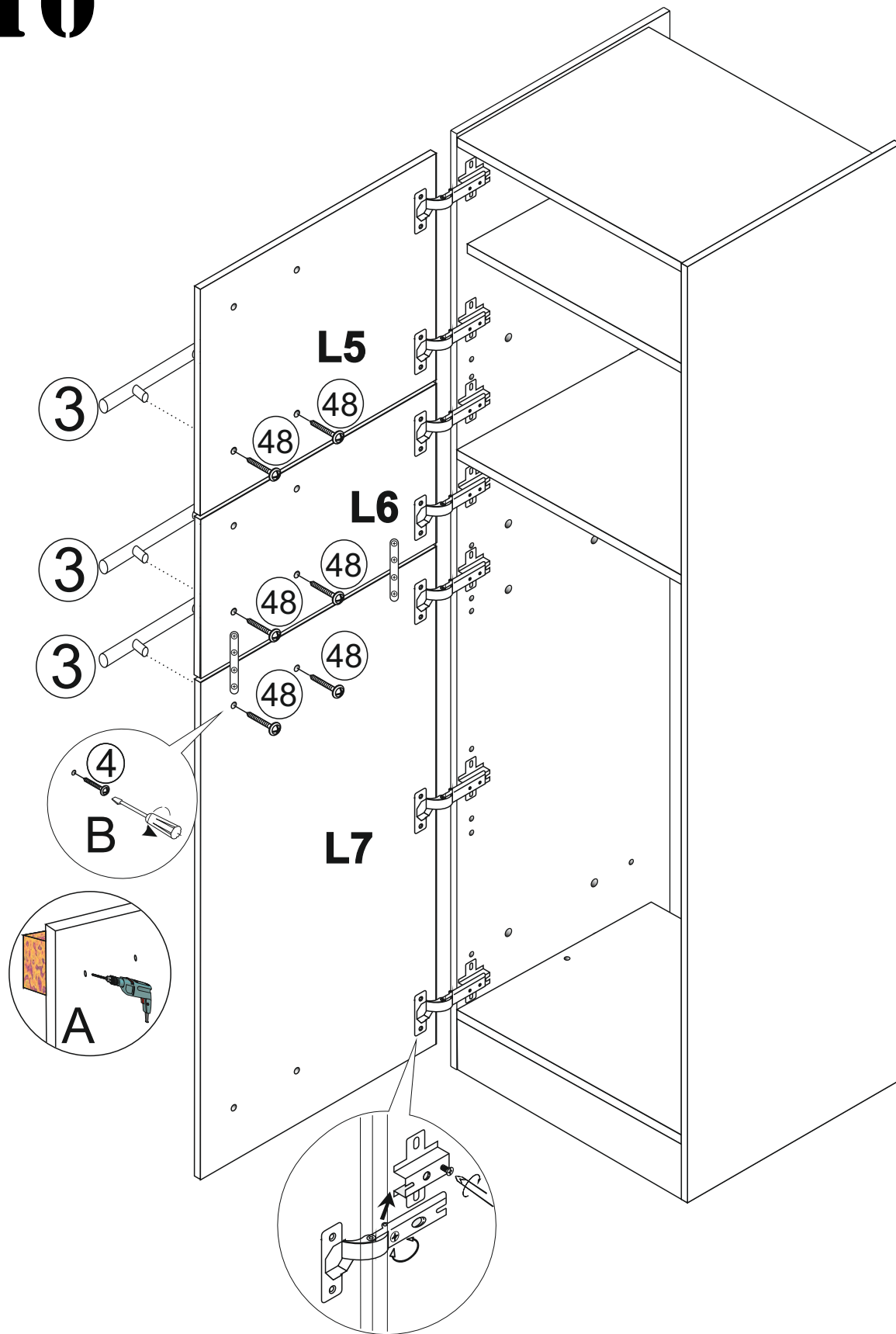


9

OPTION 3

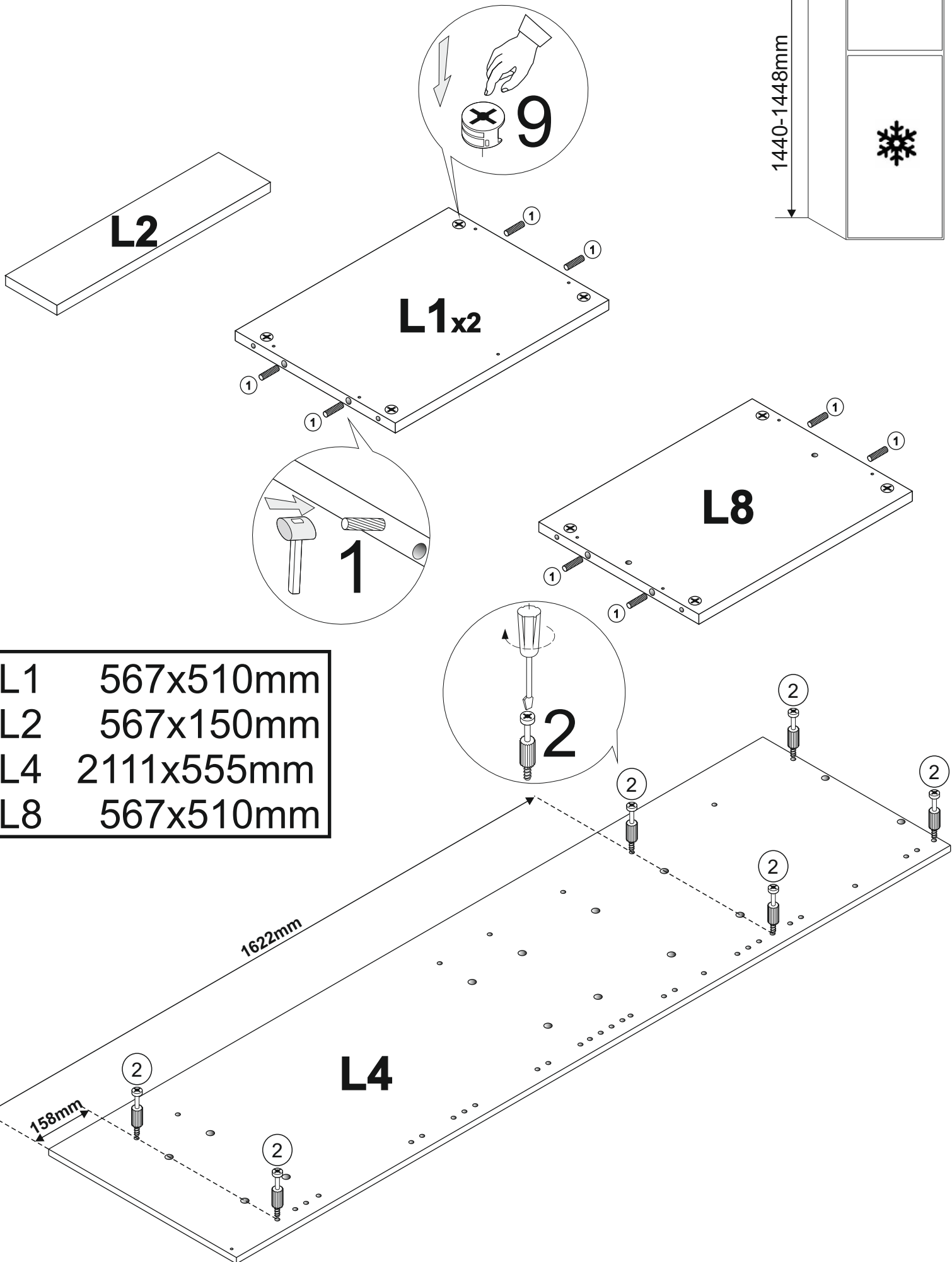


L9 567x500mm



1

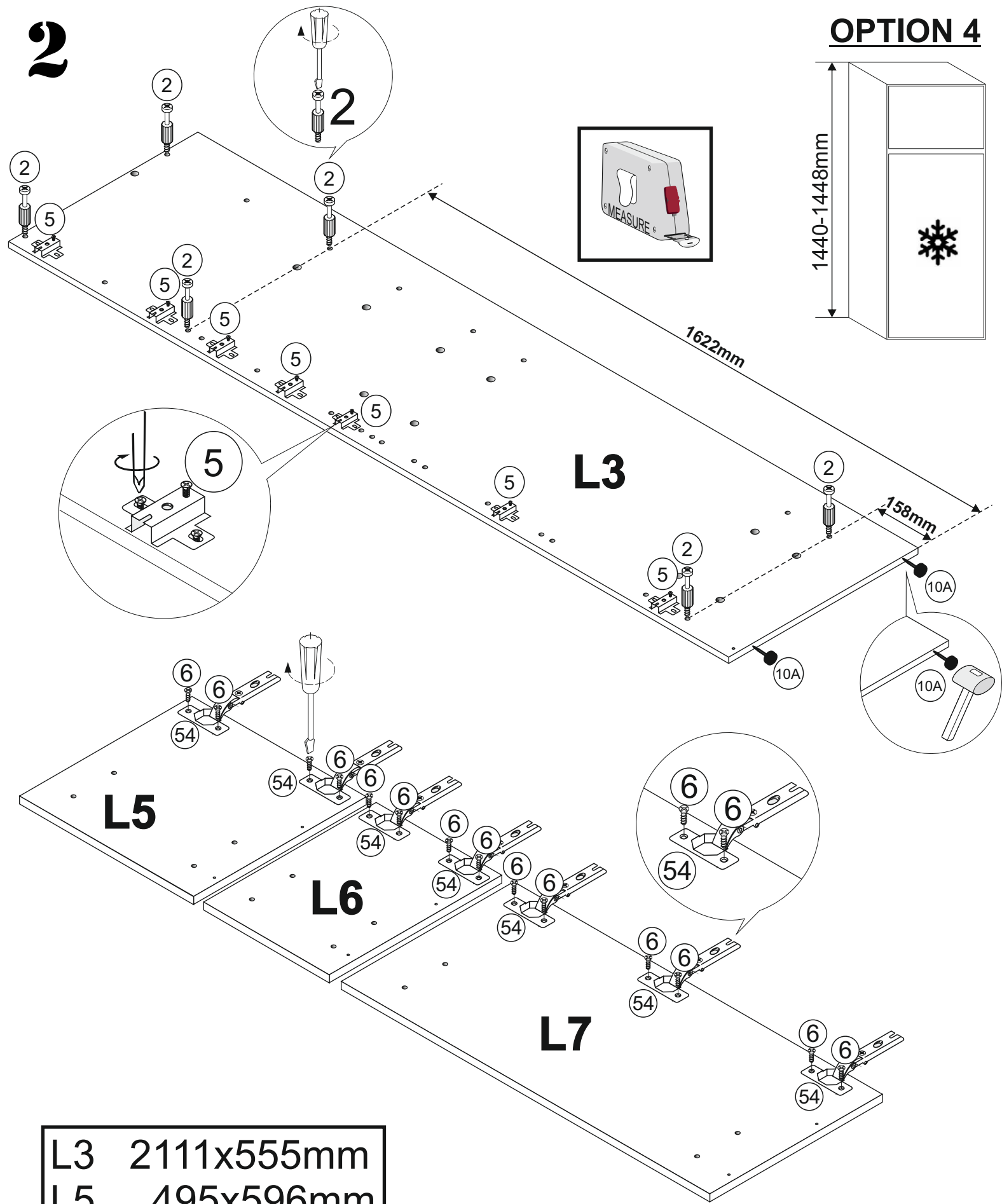
OPTION 4



L1	567x510mm
L2	567x150mm
L4	2111x555mm
L8	567x510mm

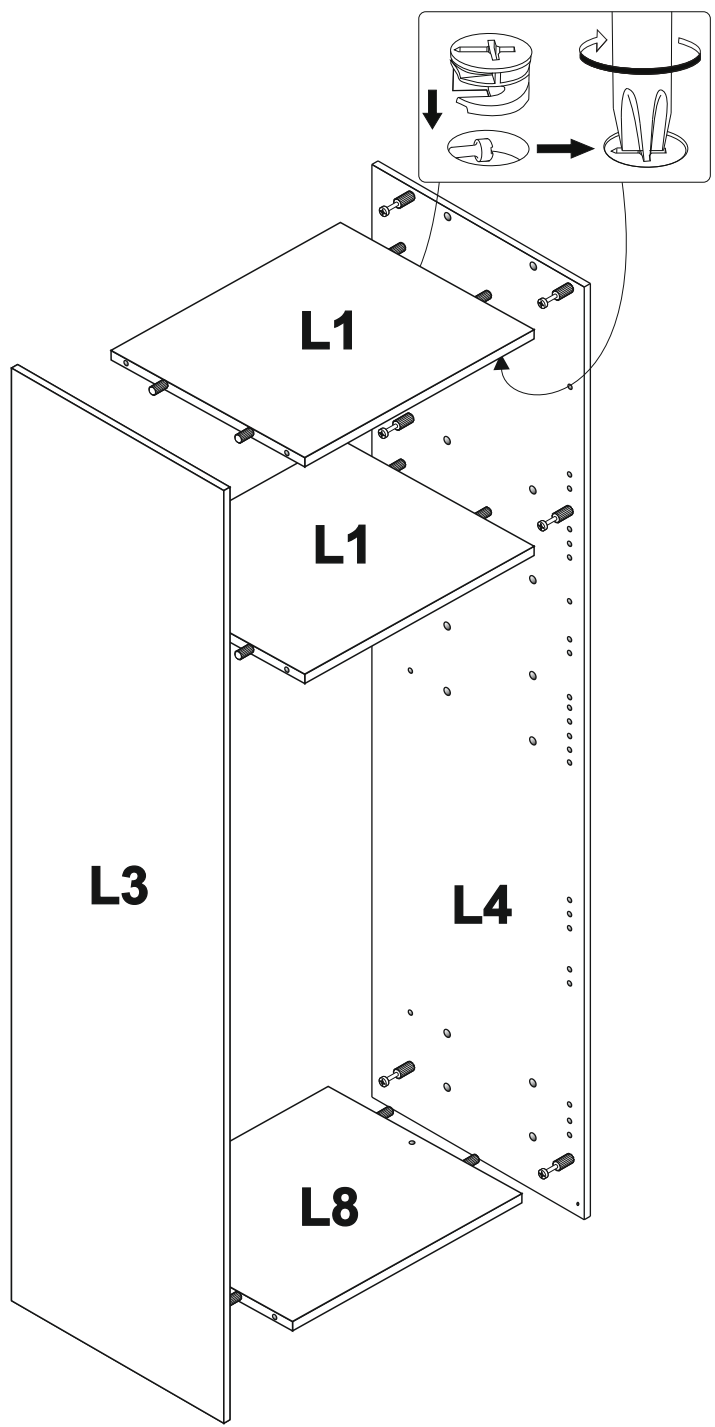
2

OPTION 4

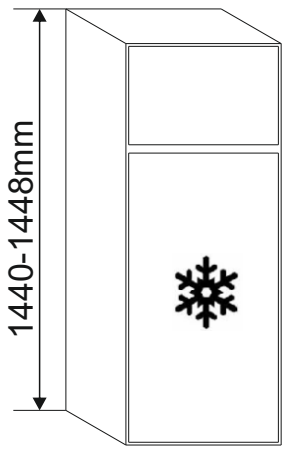


L3	2111x555mm
L5	495x596mm
L6	369x596mm
L7	1086x596mm

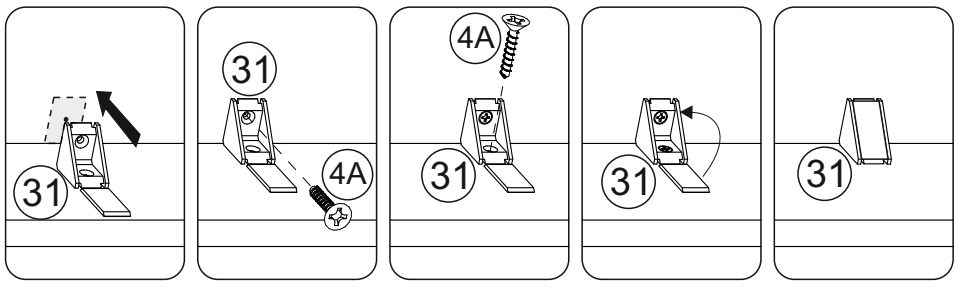
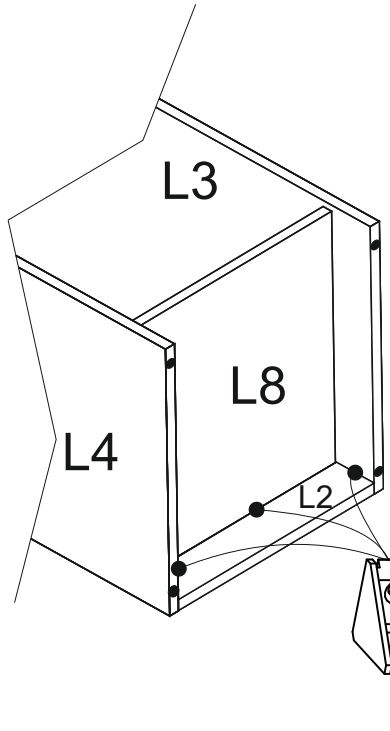
3



OPTION 4



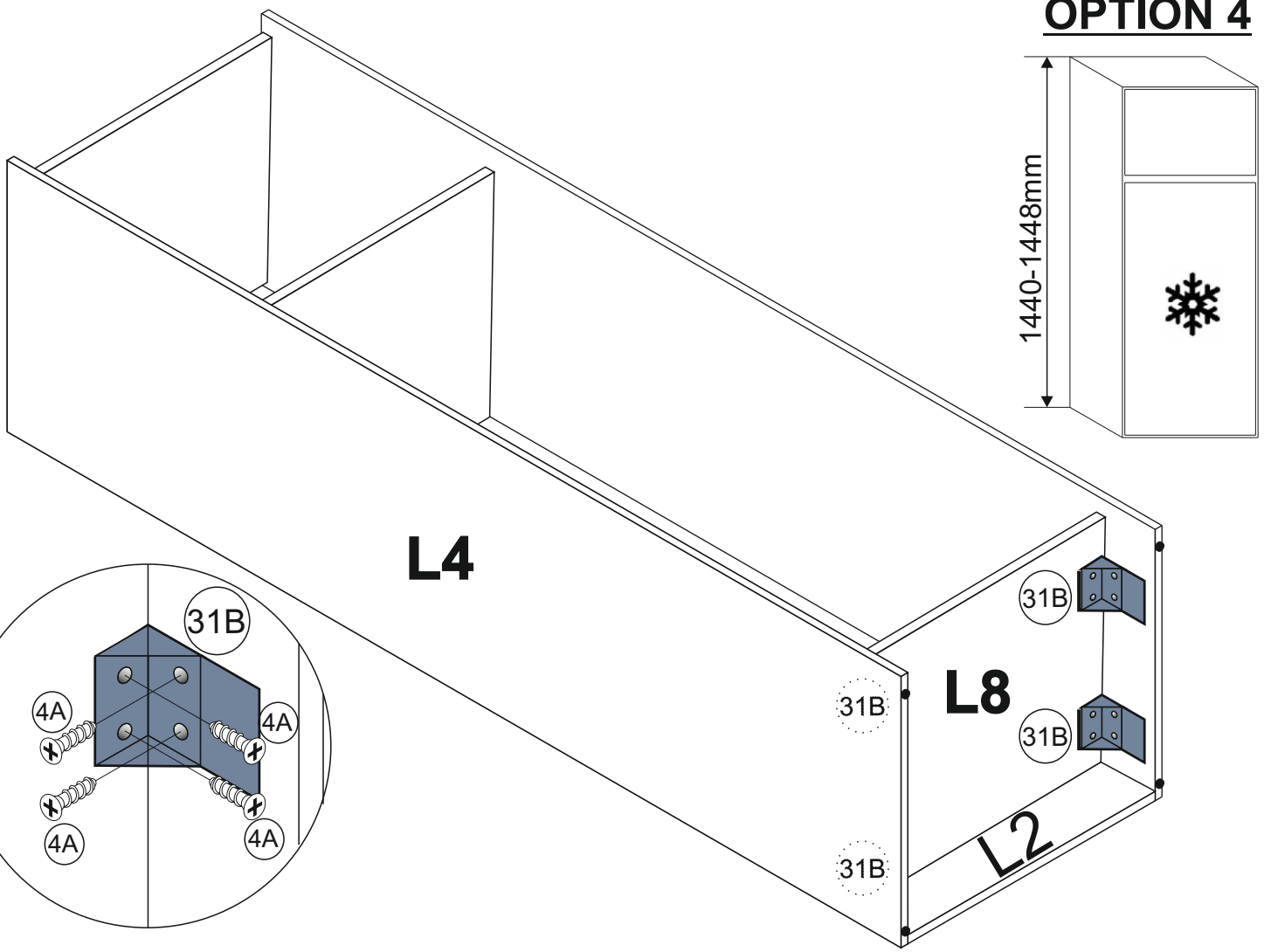
4



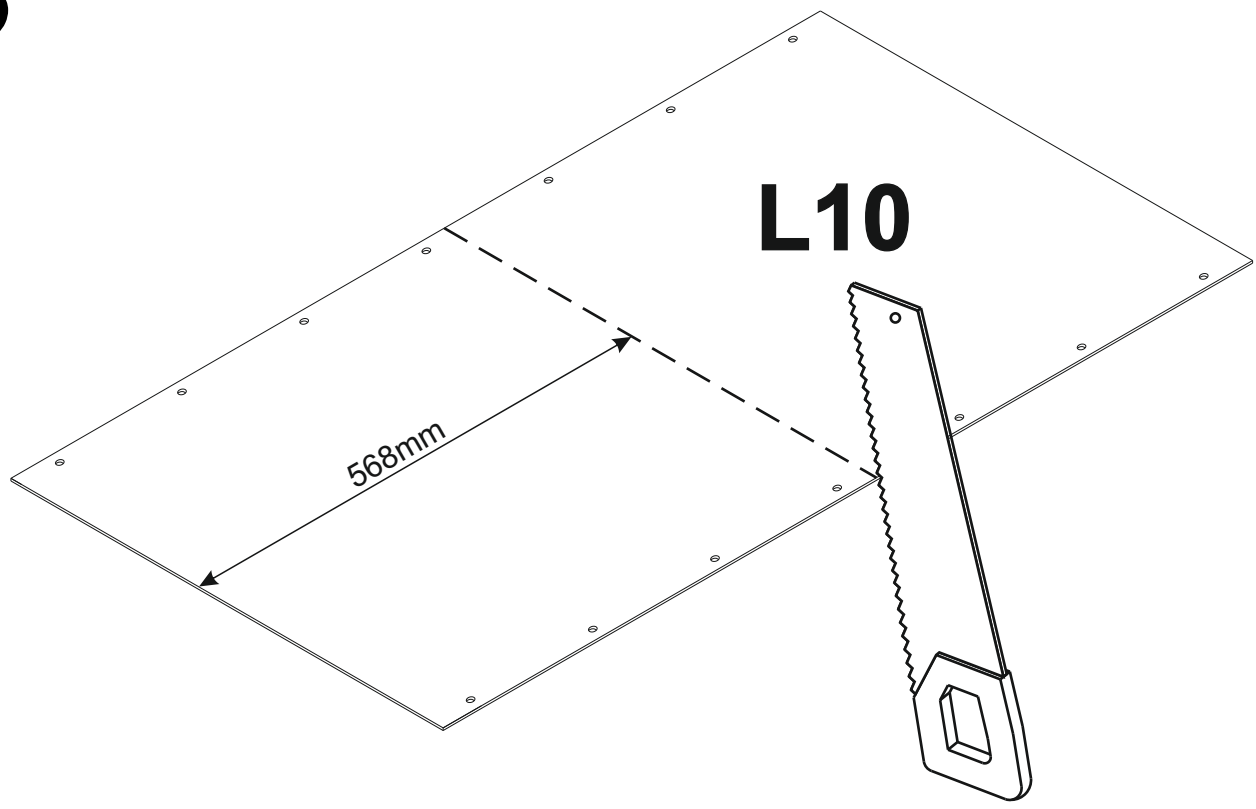
31 x3

5

OPTION 4



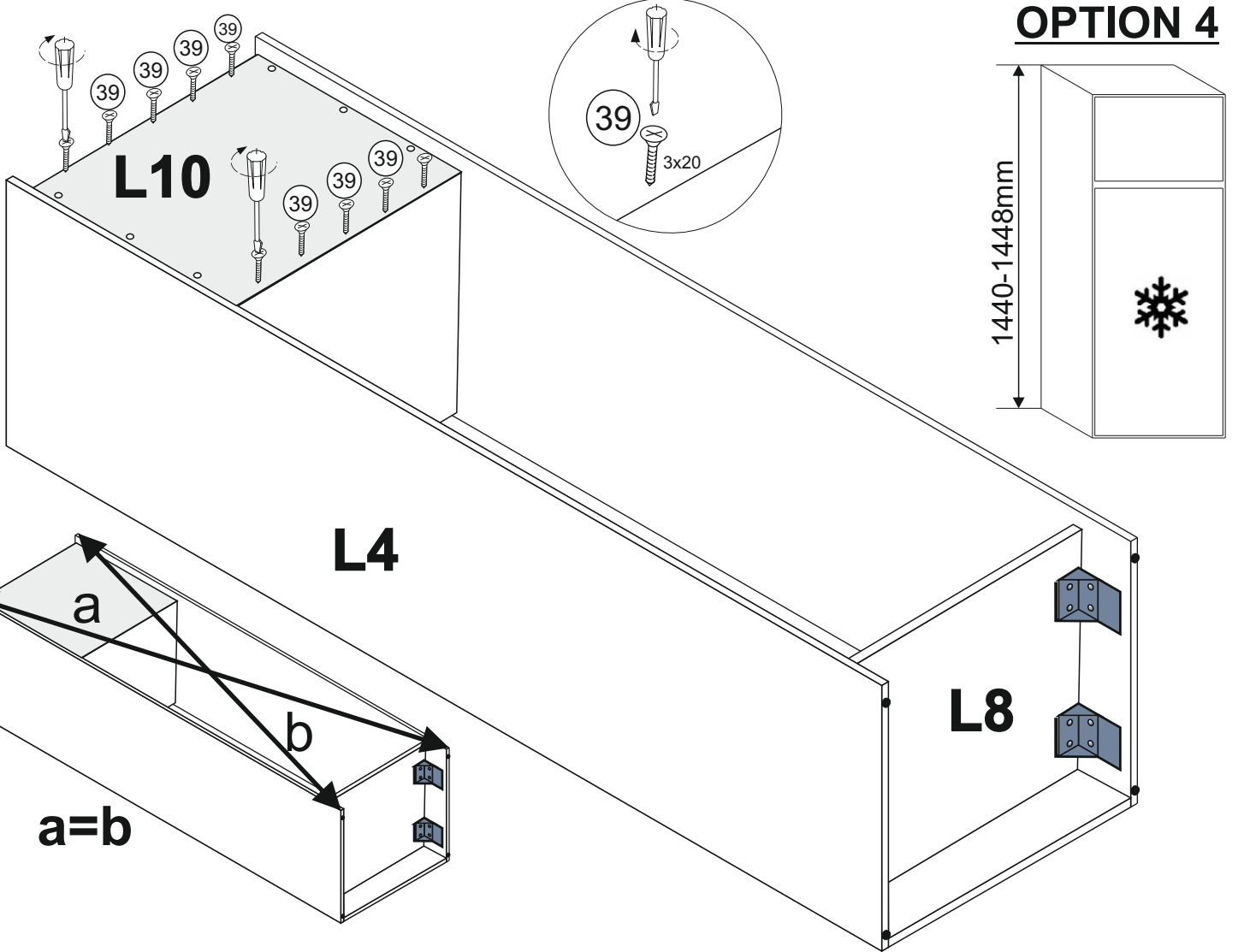
6



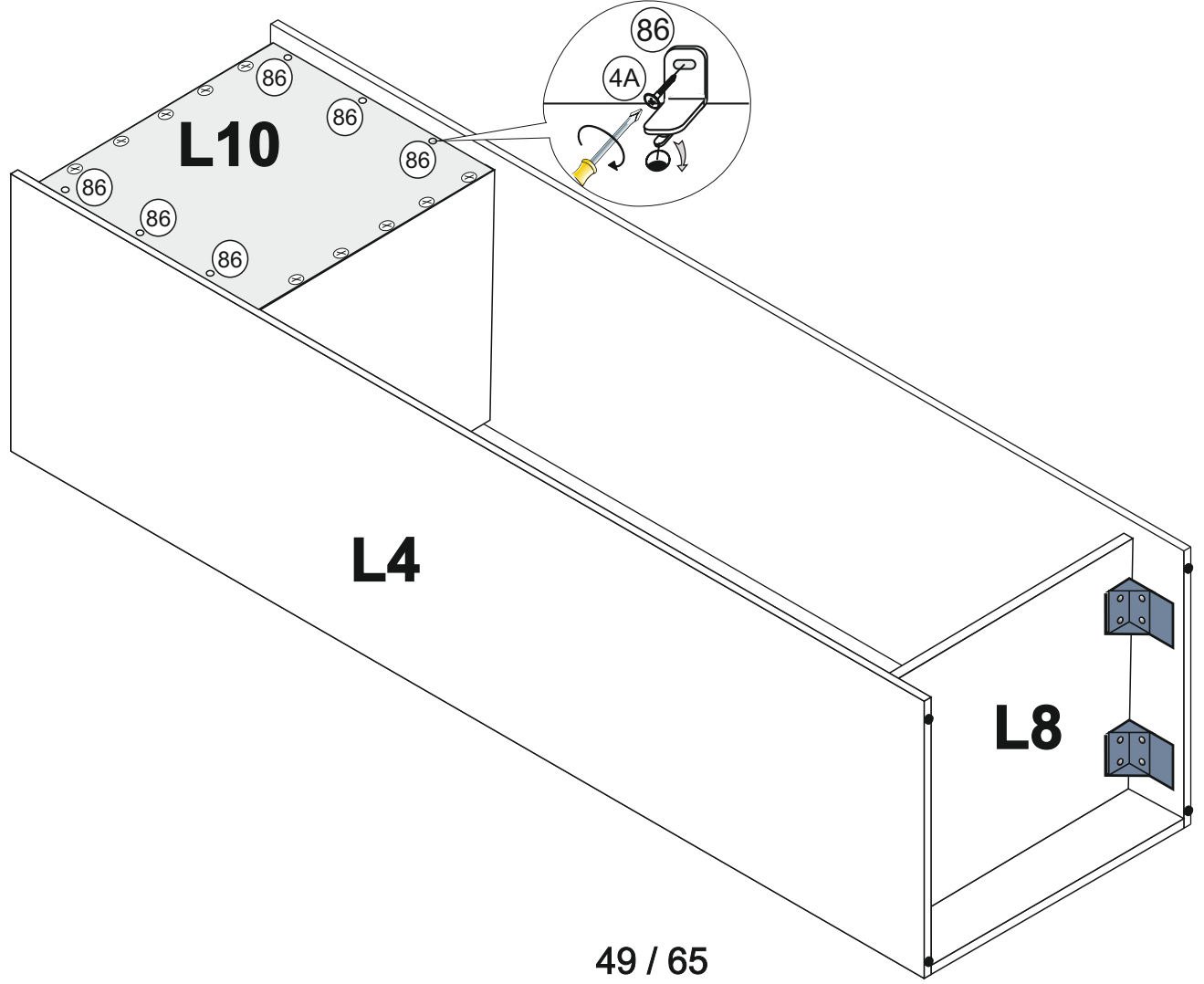
L10 1060x566mm

7

OPTION 4

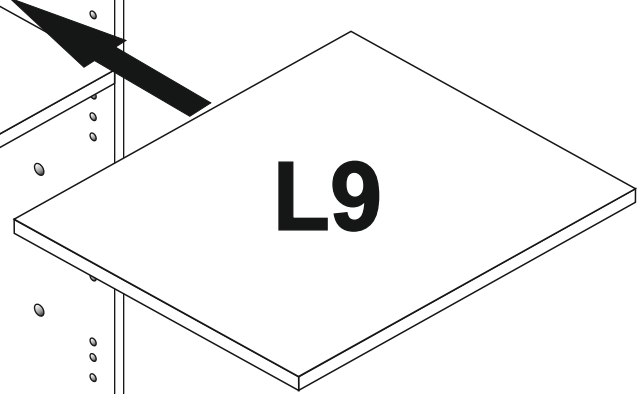
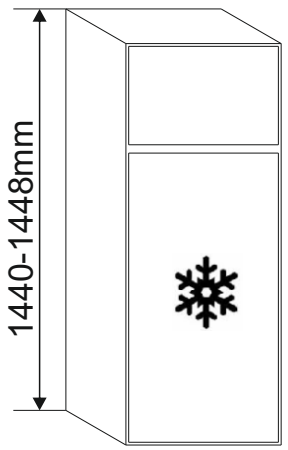
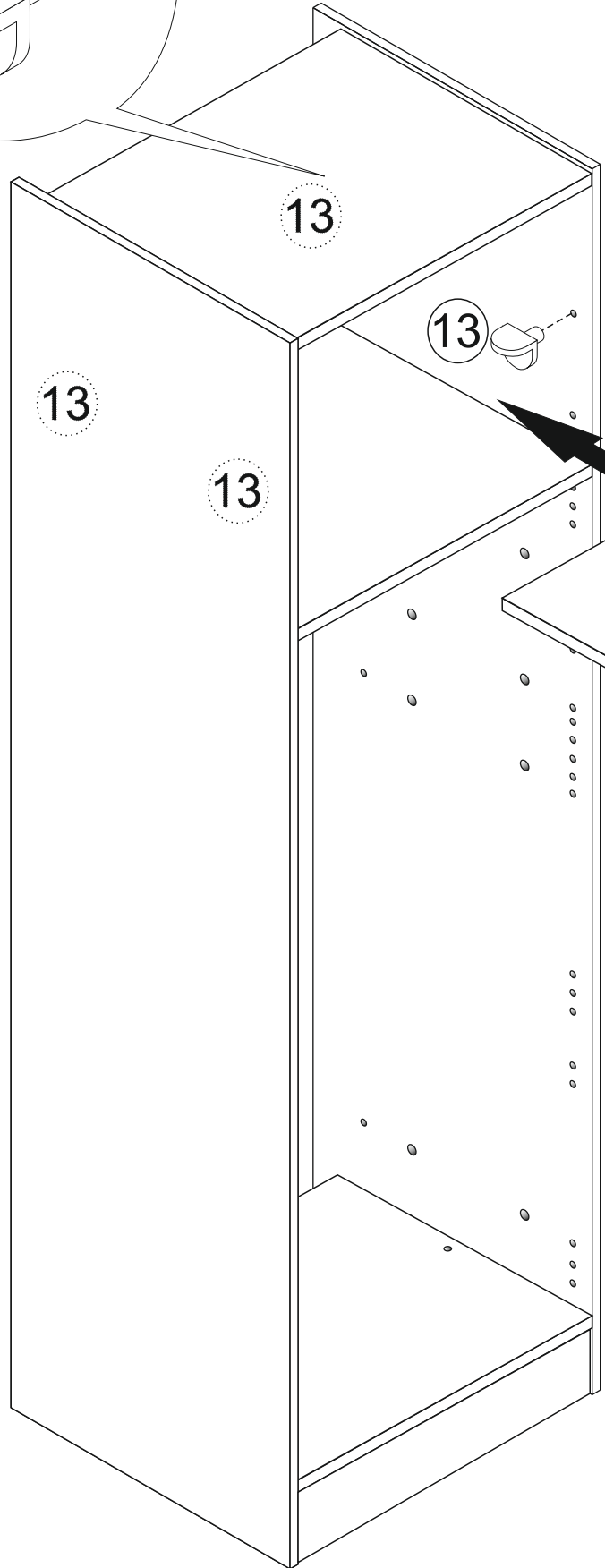
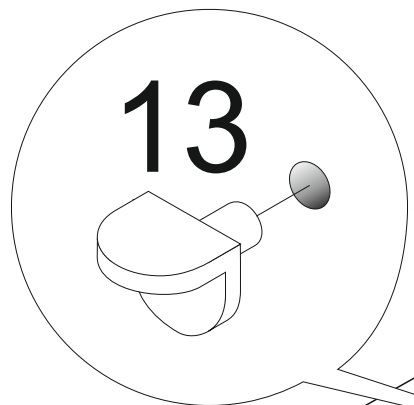


8

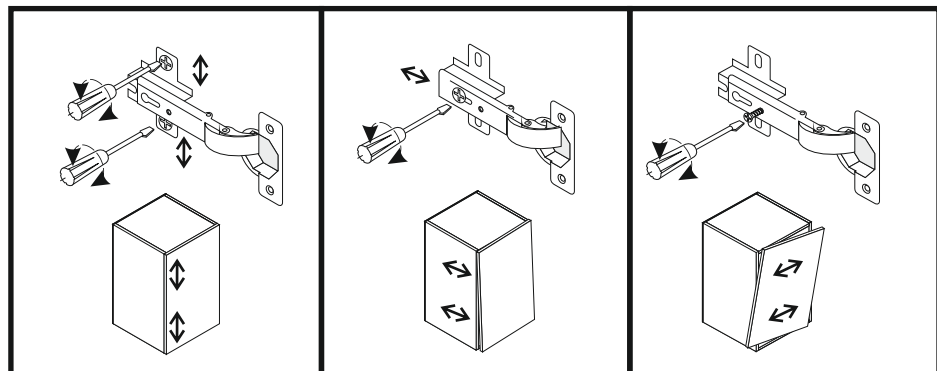
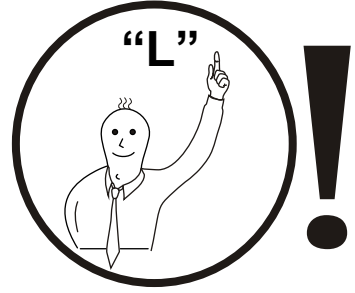
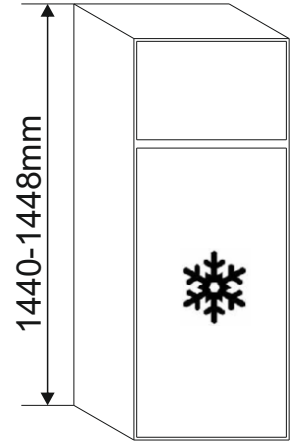
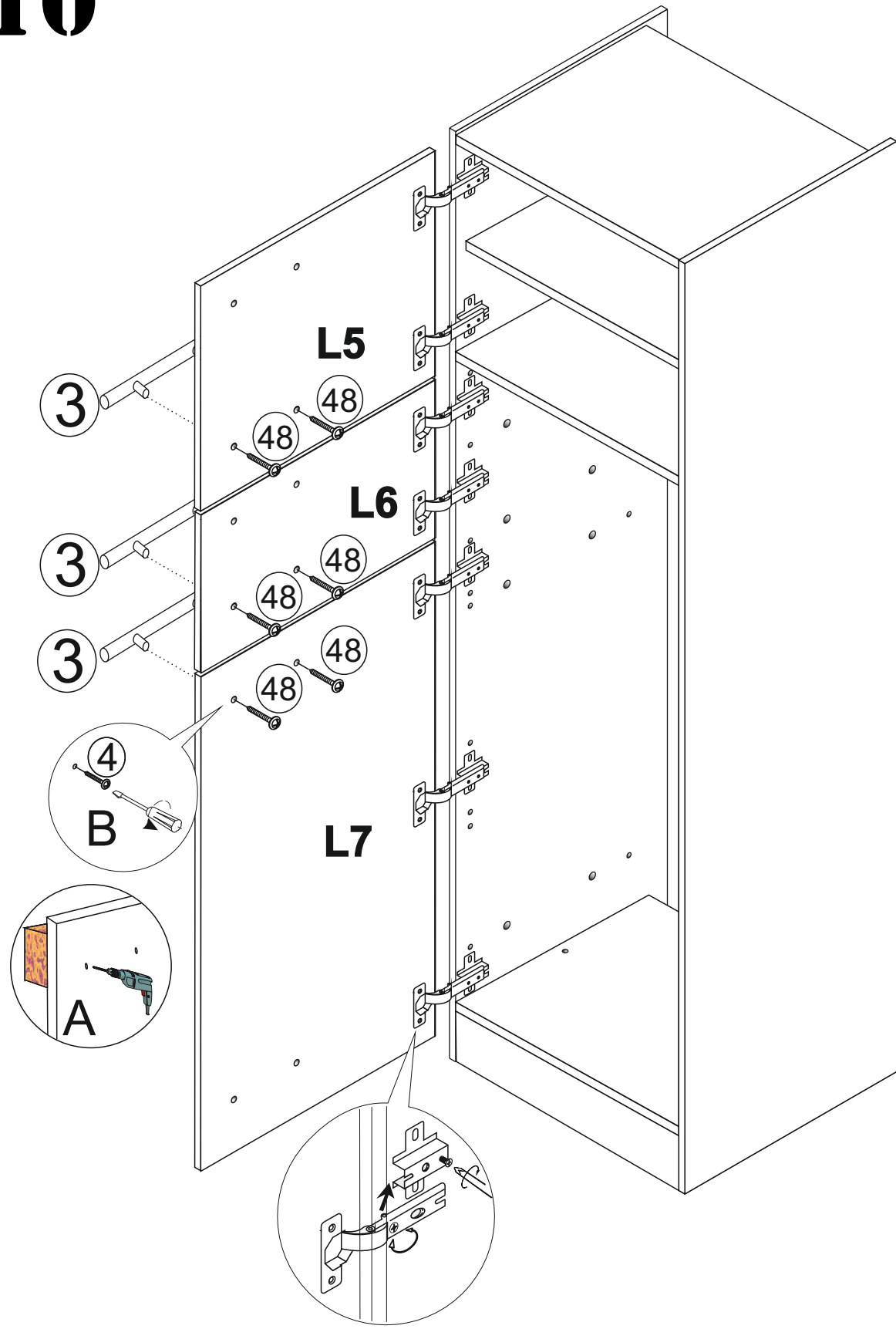


9

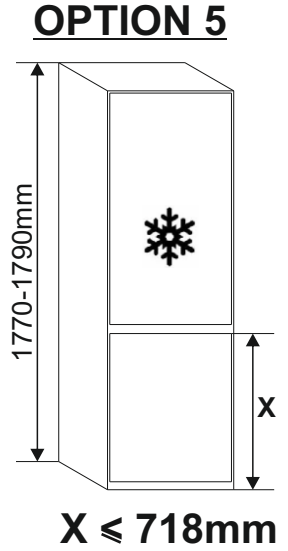
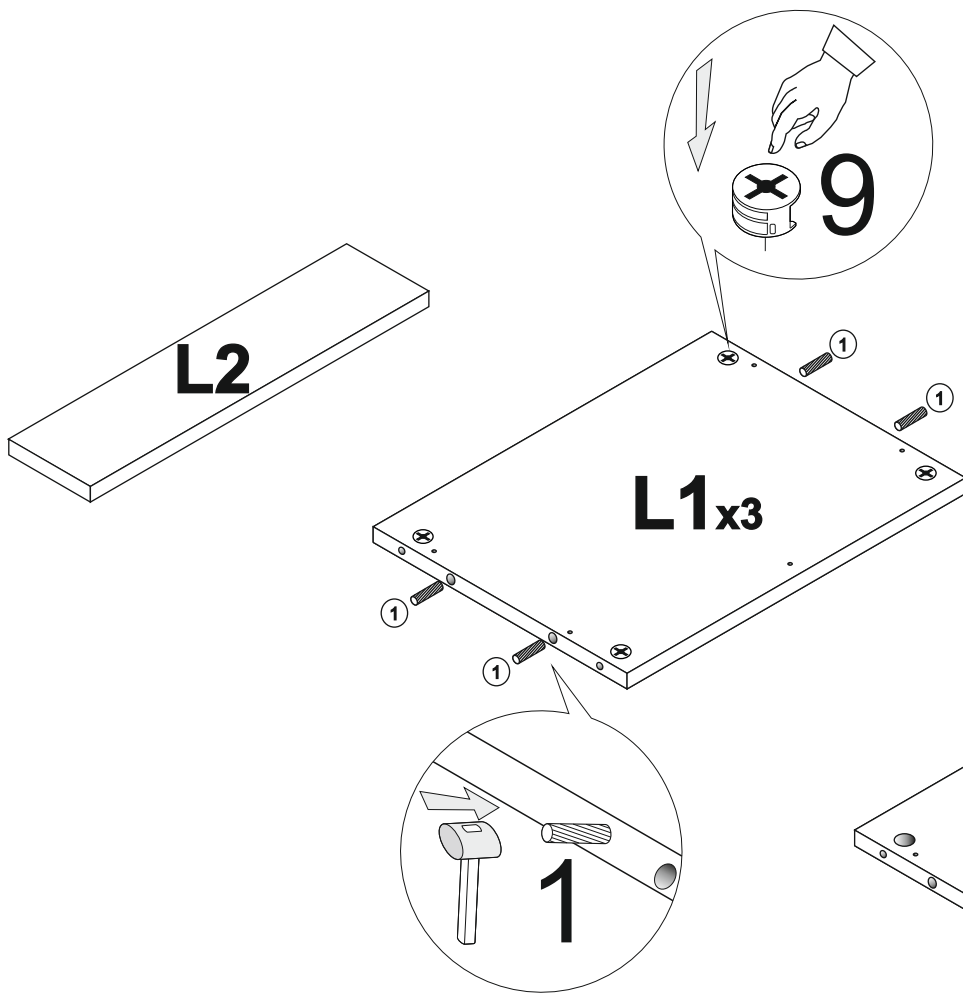
OPTION 4



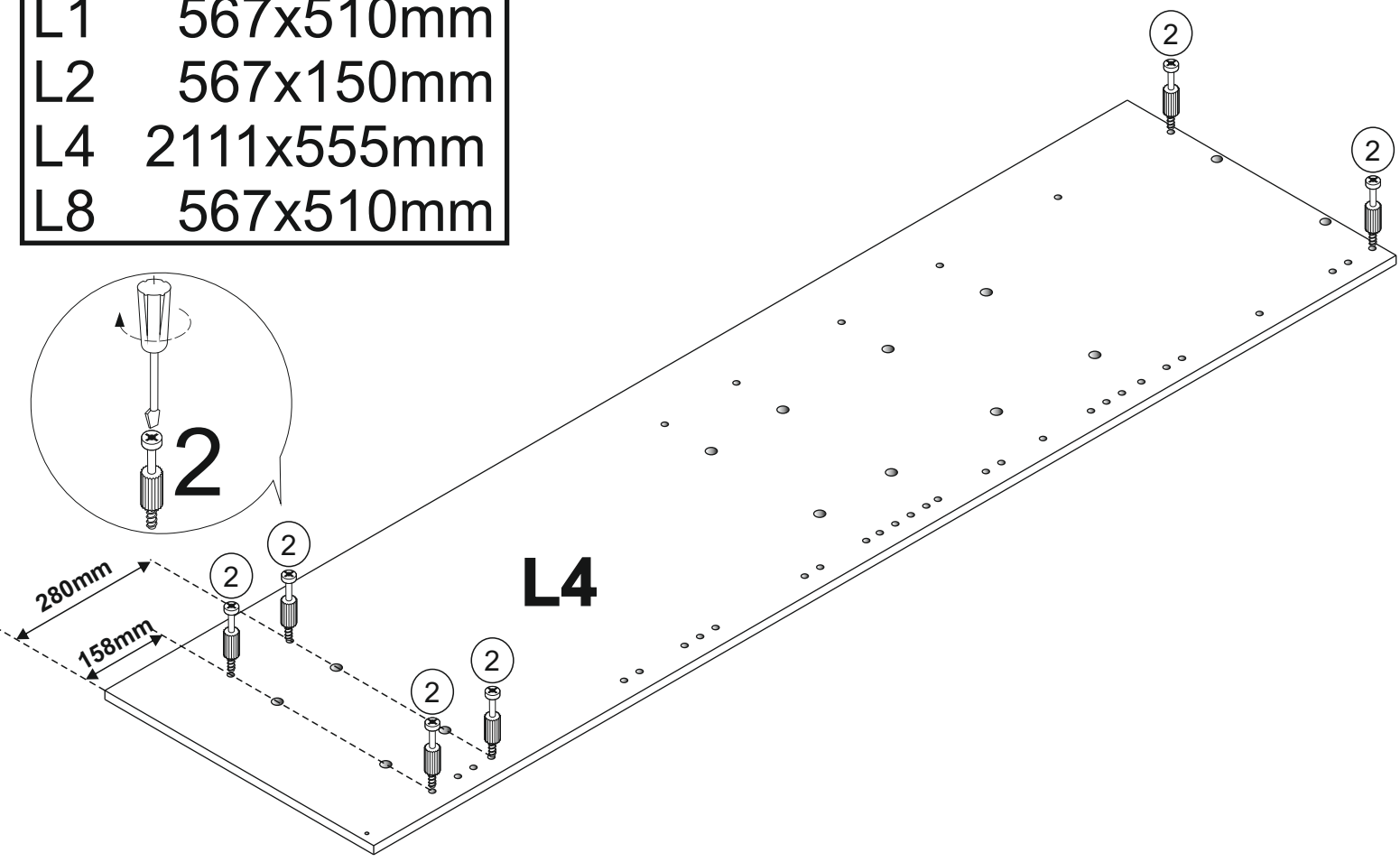
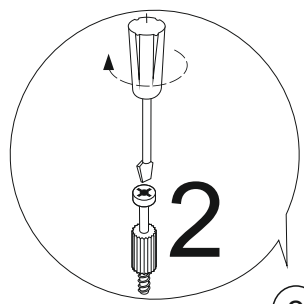
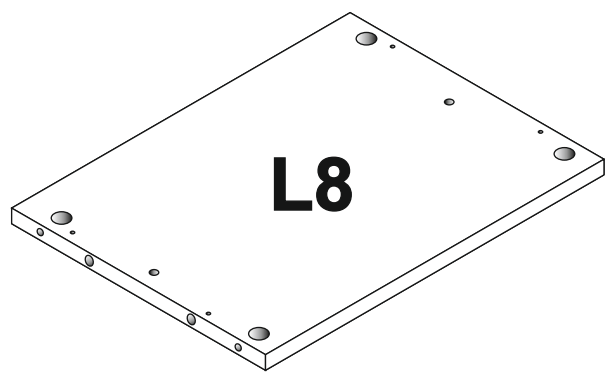
L9 567x500mm



1

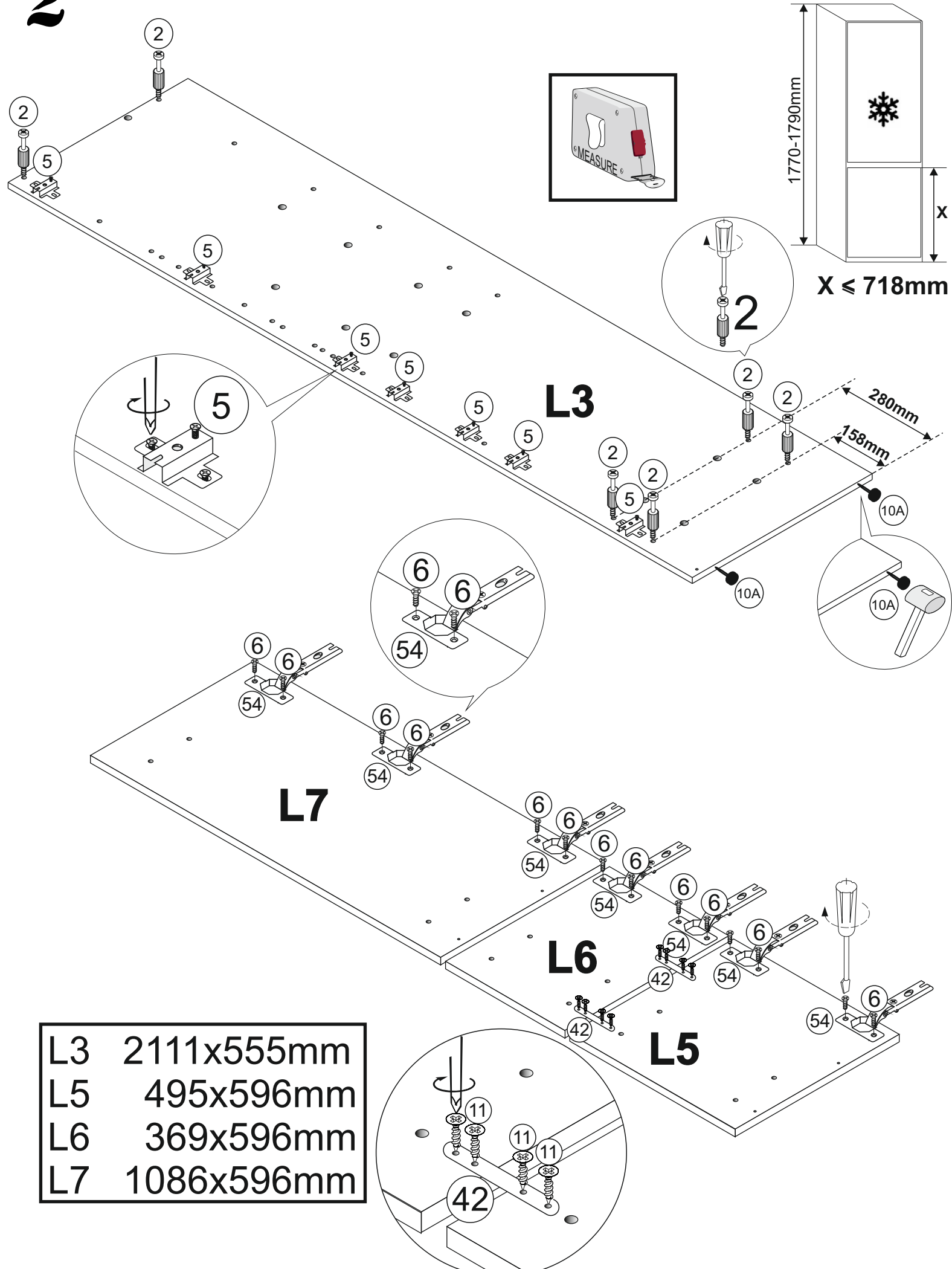


L1	567x510mm
L2	567x150mm
L4	2111x555mm
L8	567x510mm



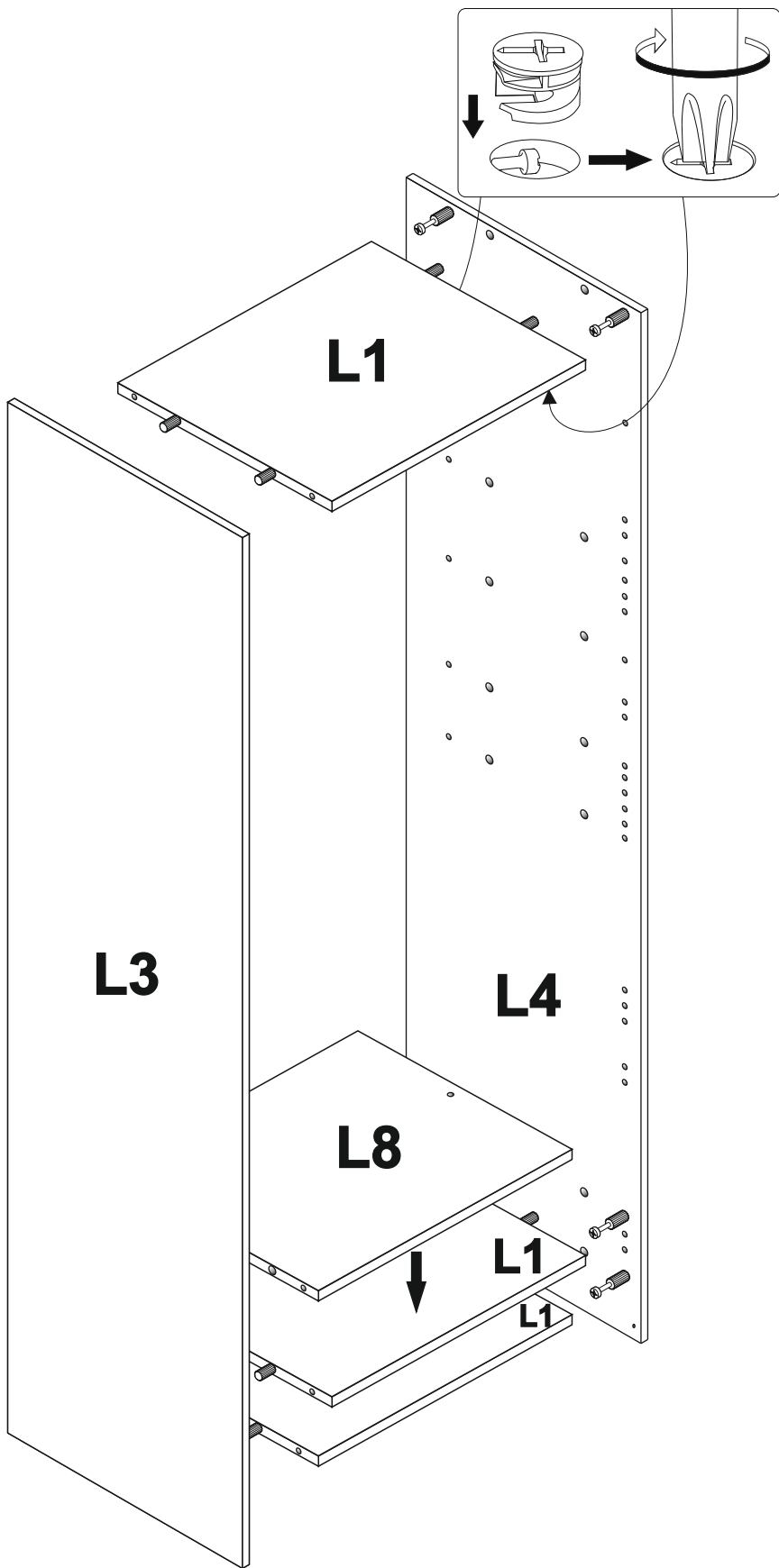
2

OPTION 5

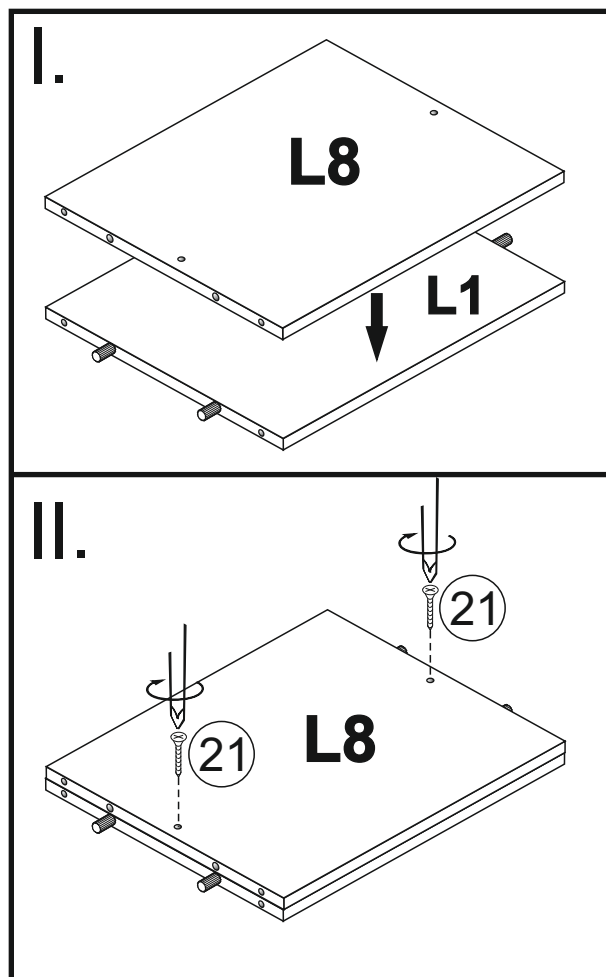
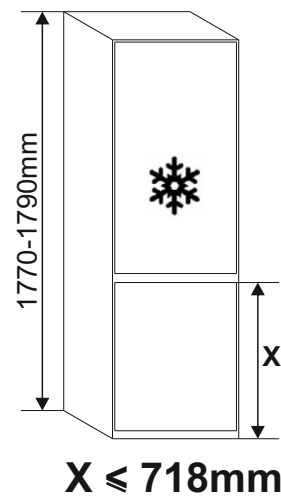


L3	2111x555mm
L5	495x596mm
L6	369x596mm
L7	1086x596mm

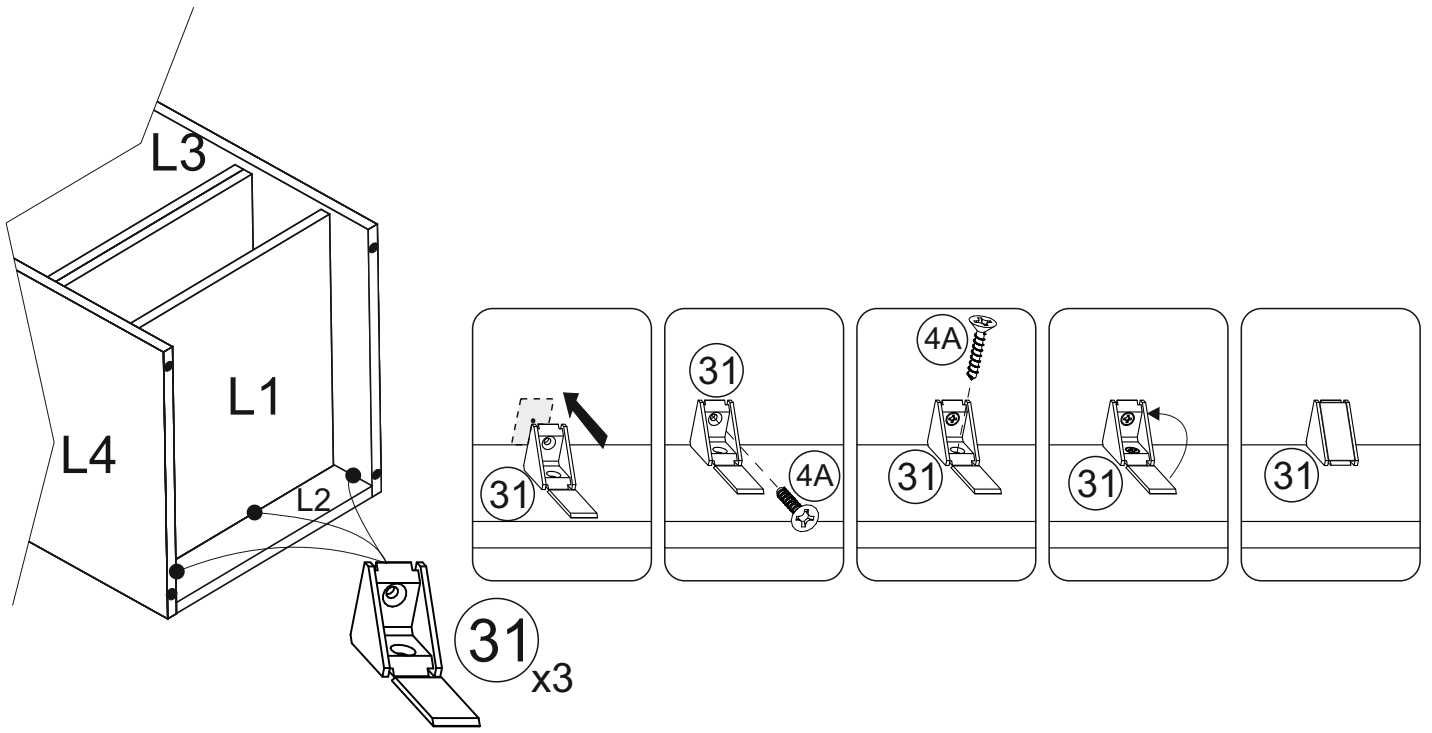
3



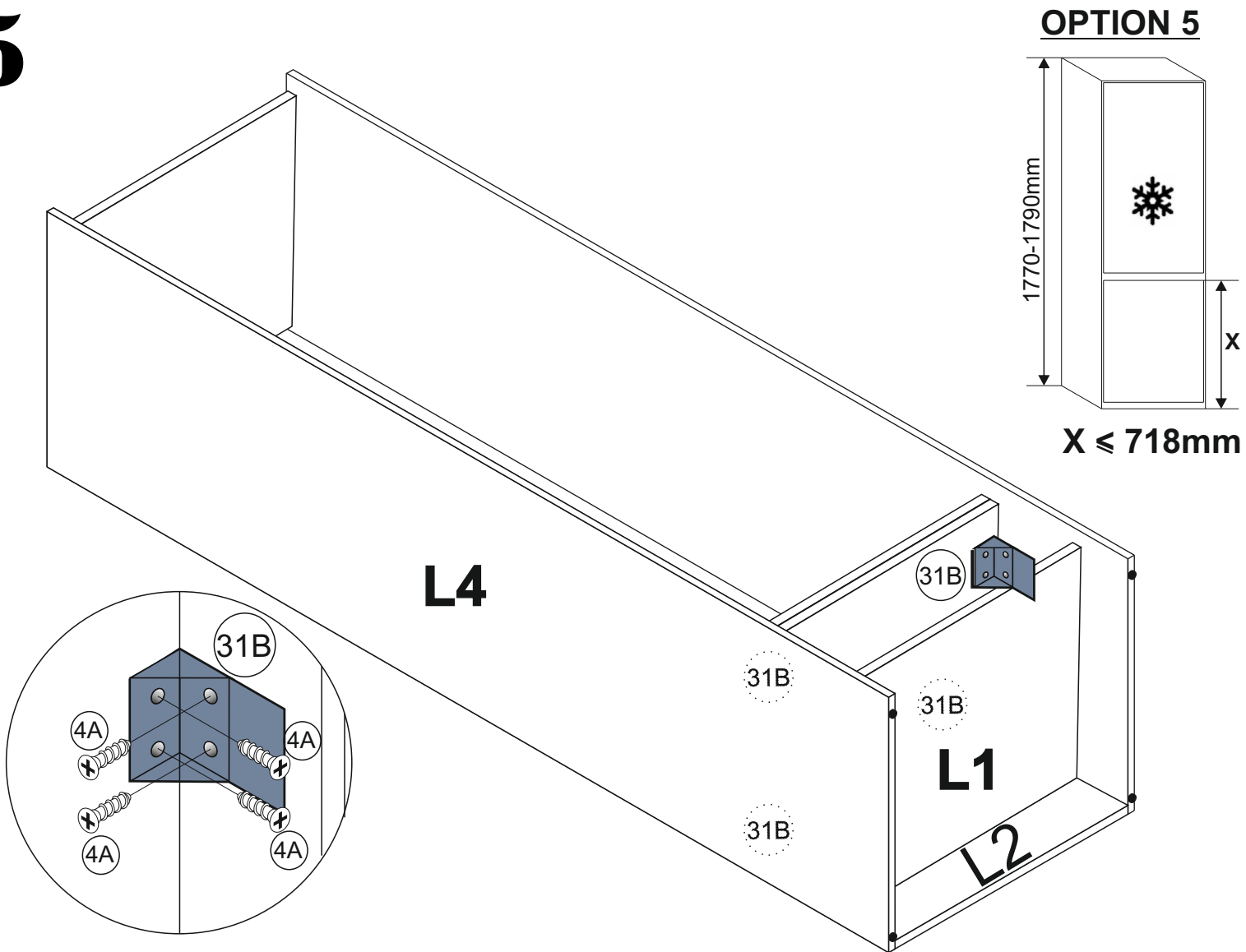
OPTION 5



4

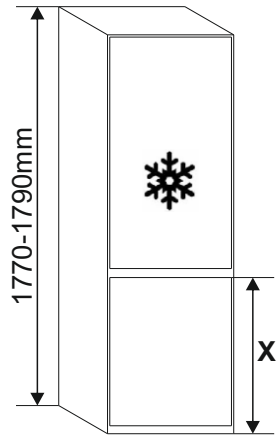


5

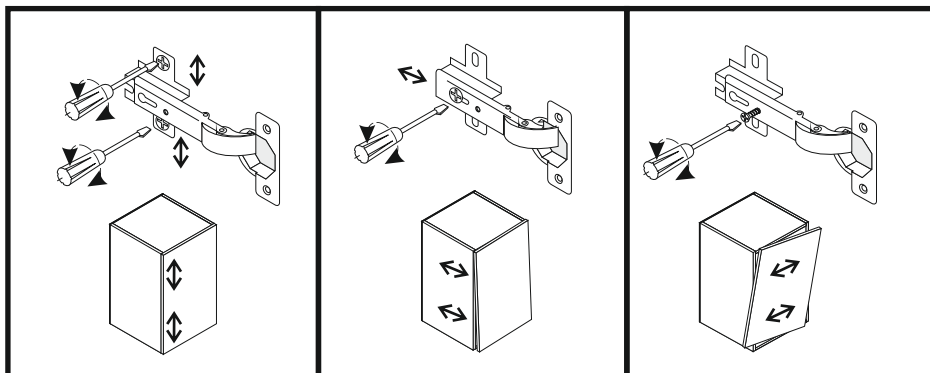
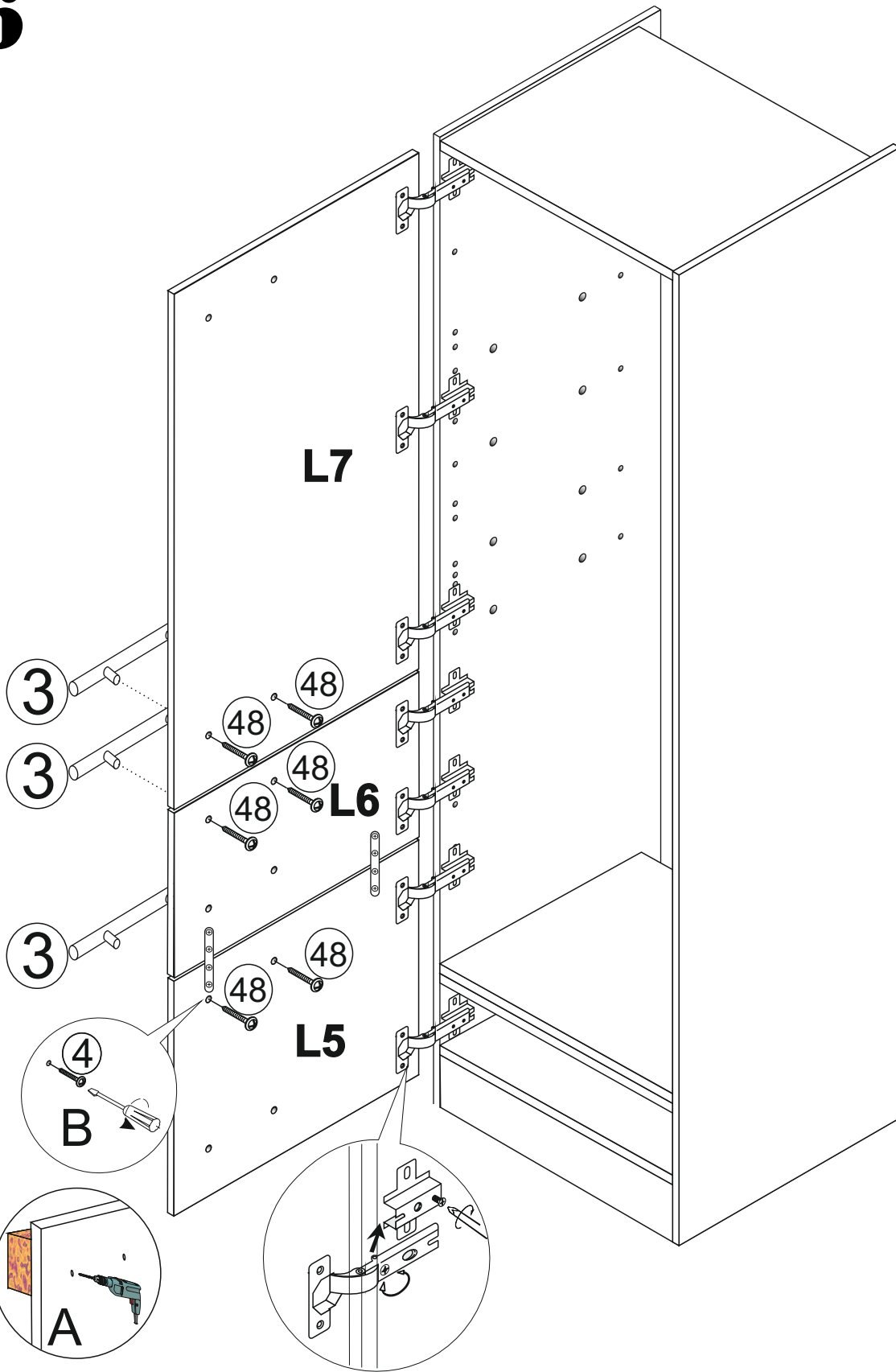
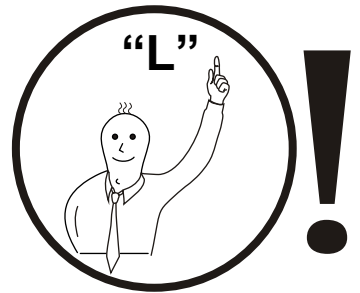


6

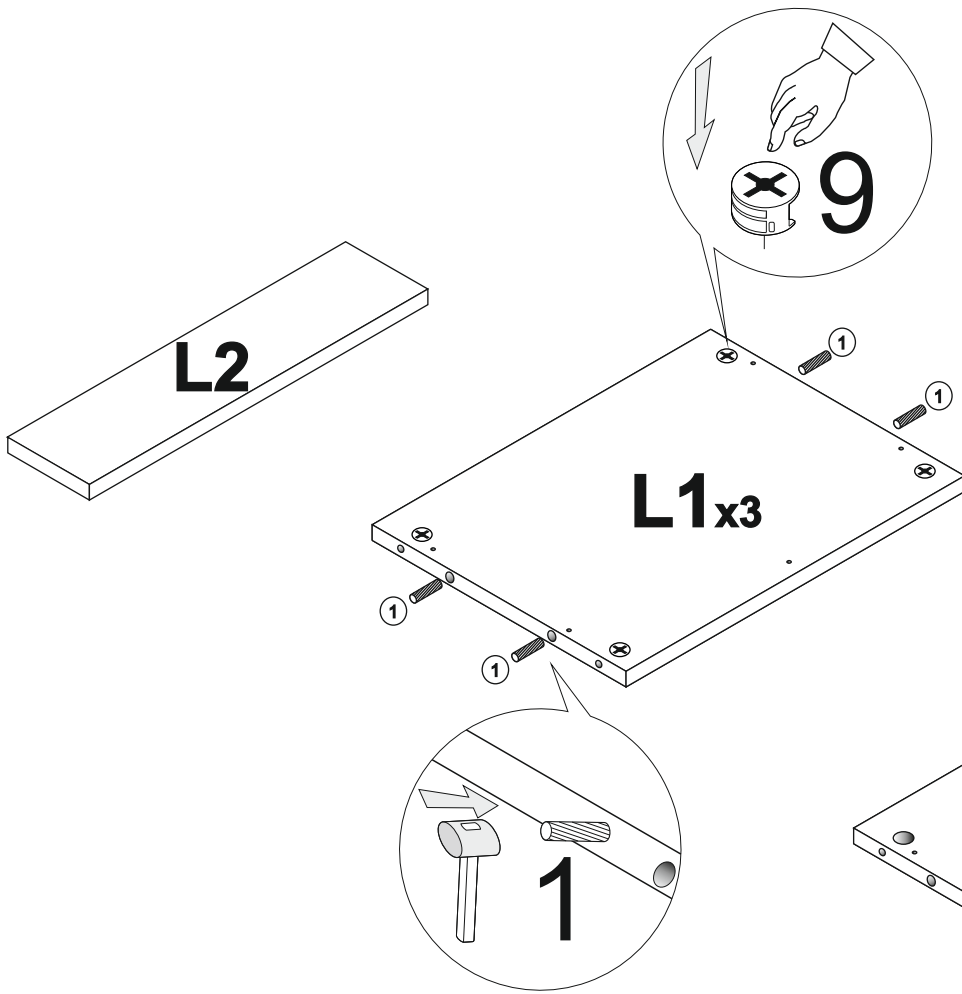
OPTION 5



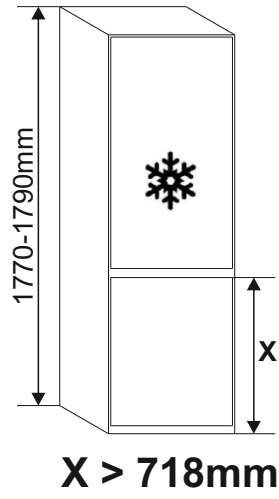
$X \leq 718\text{mm}$



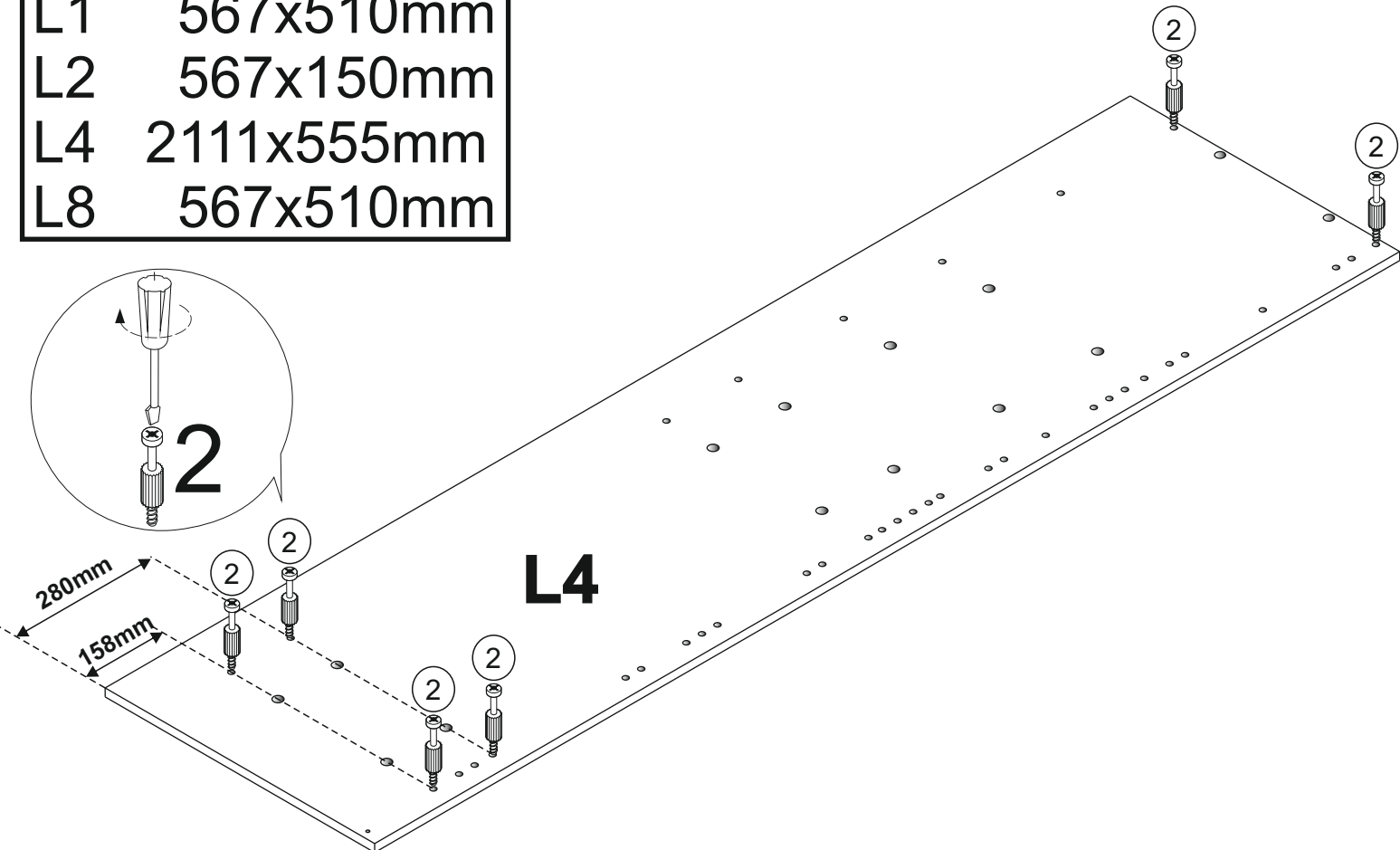
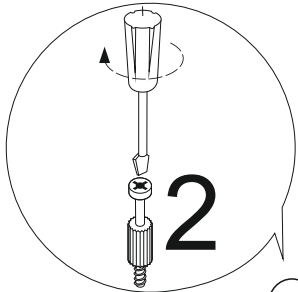
1



OPTION 6

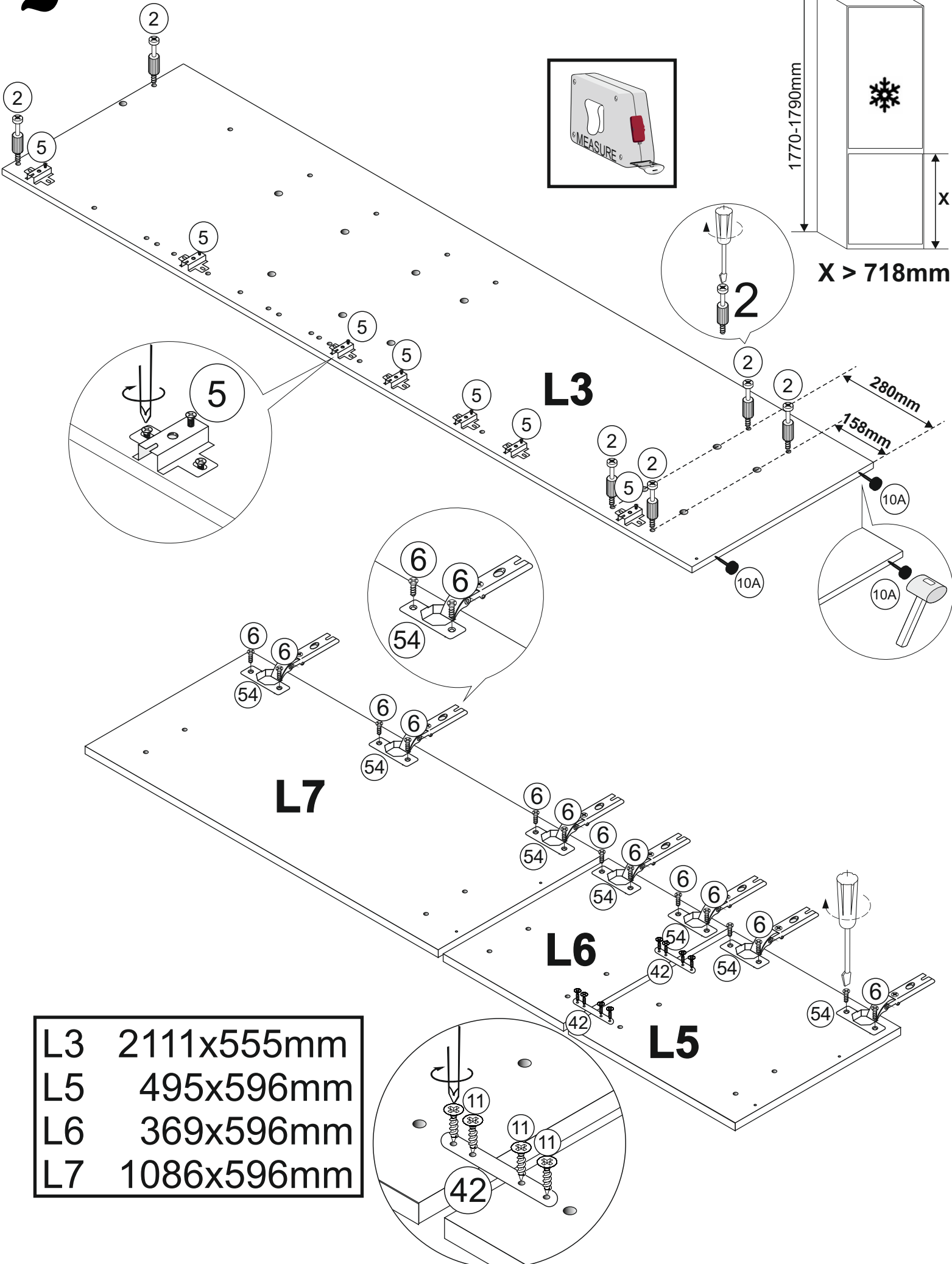
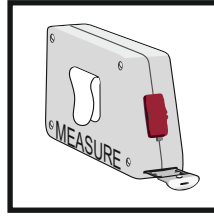
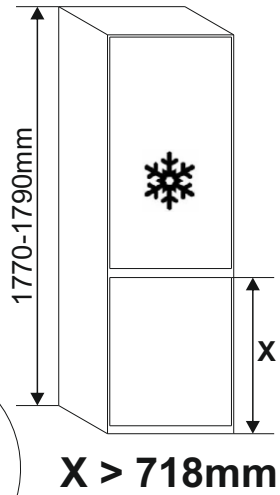


L1	567x510mm
L2	567x150mm
L4	2111x555mm
L8	567x510mm



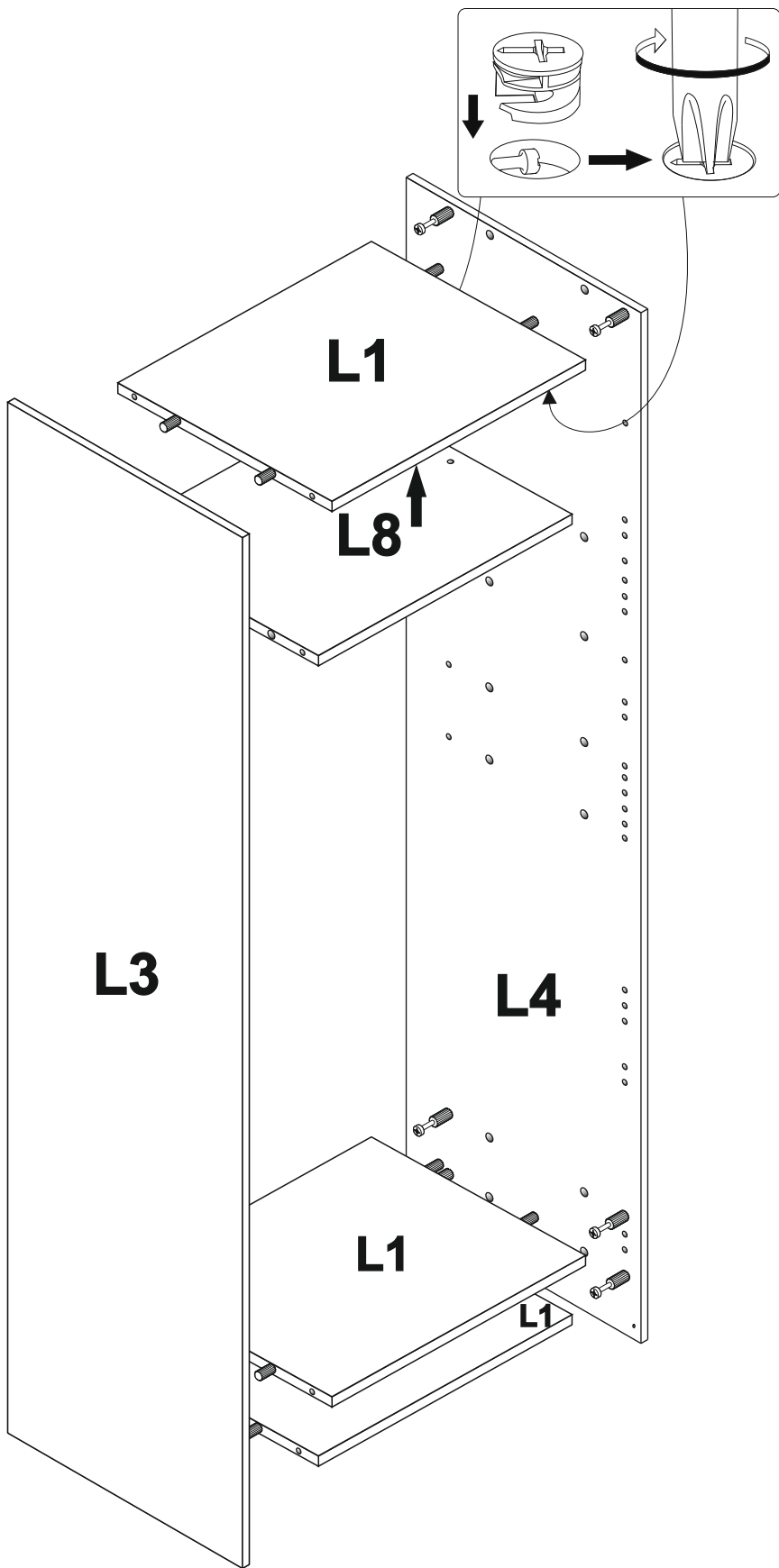
2

OPTION 6

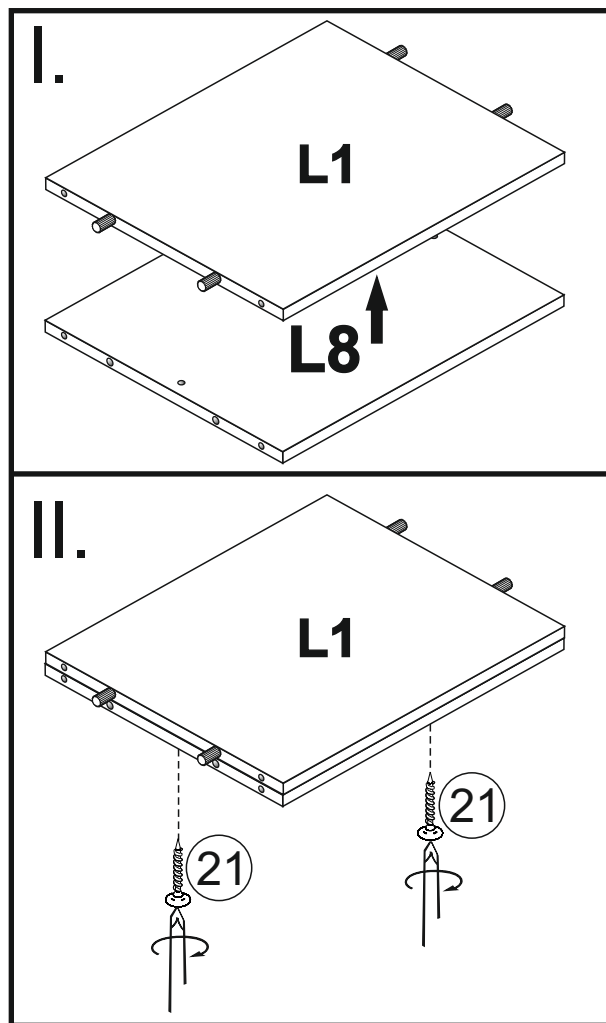
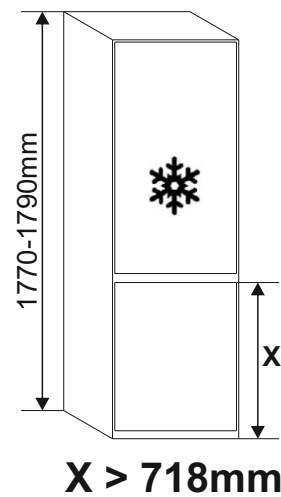


L3	2111x555mm
L5	495x596mm
L6	369x596mm
L7	1086x596mm

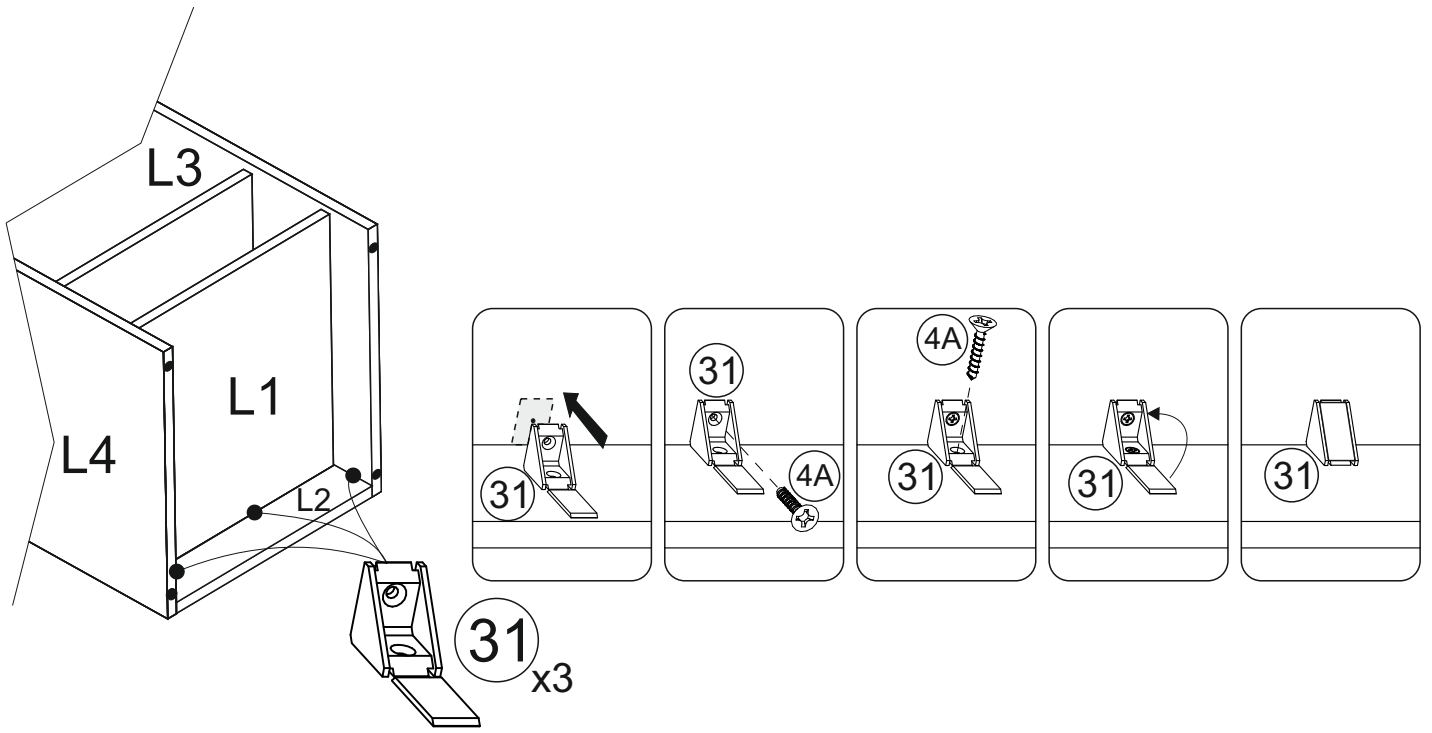
3



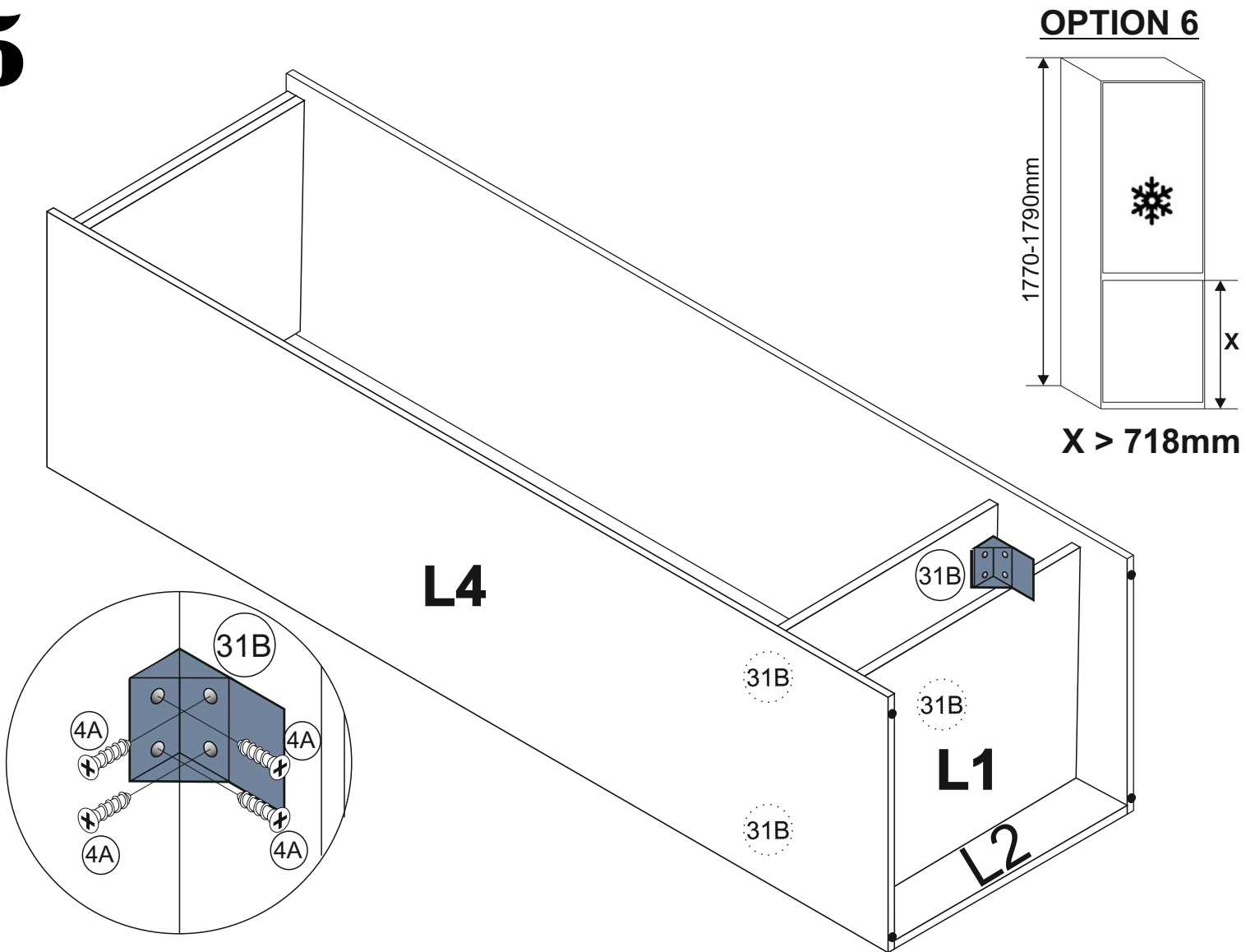
OPTION 6



4

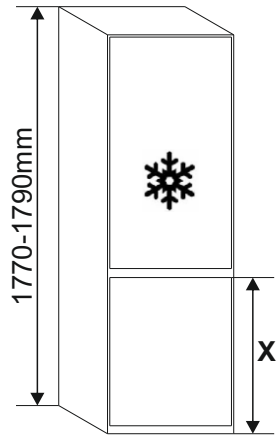


5

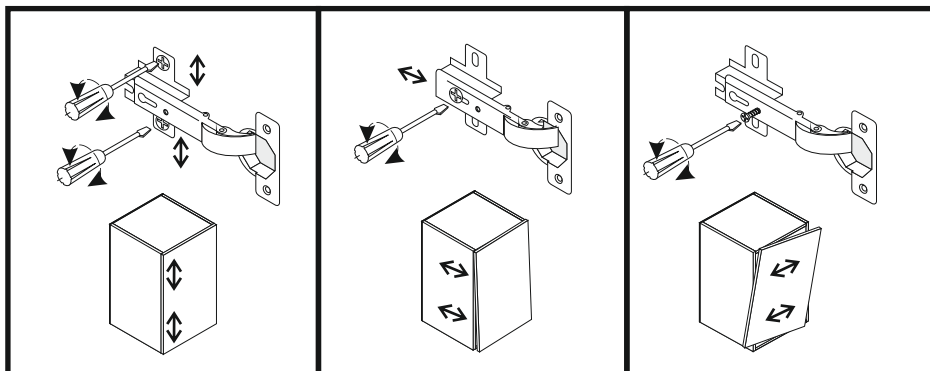
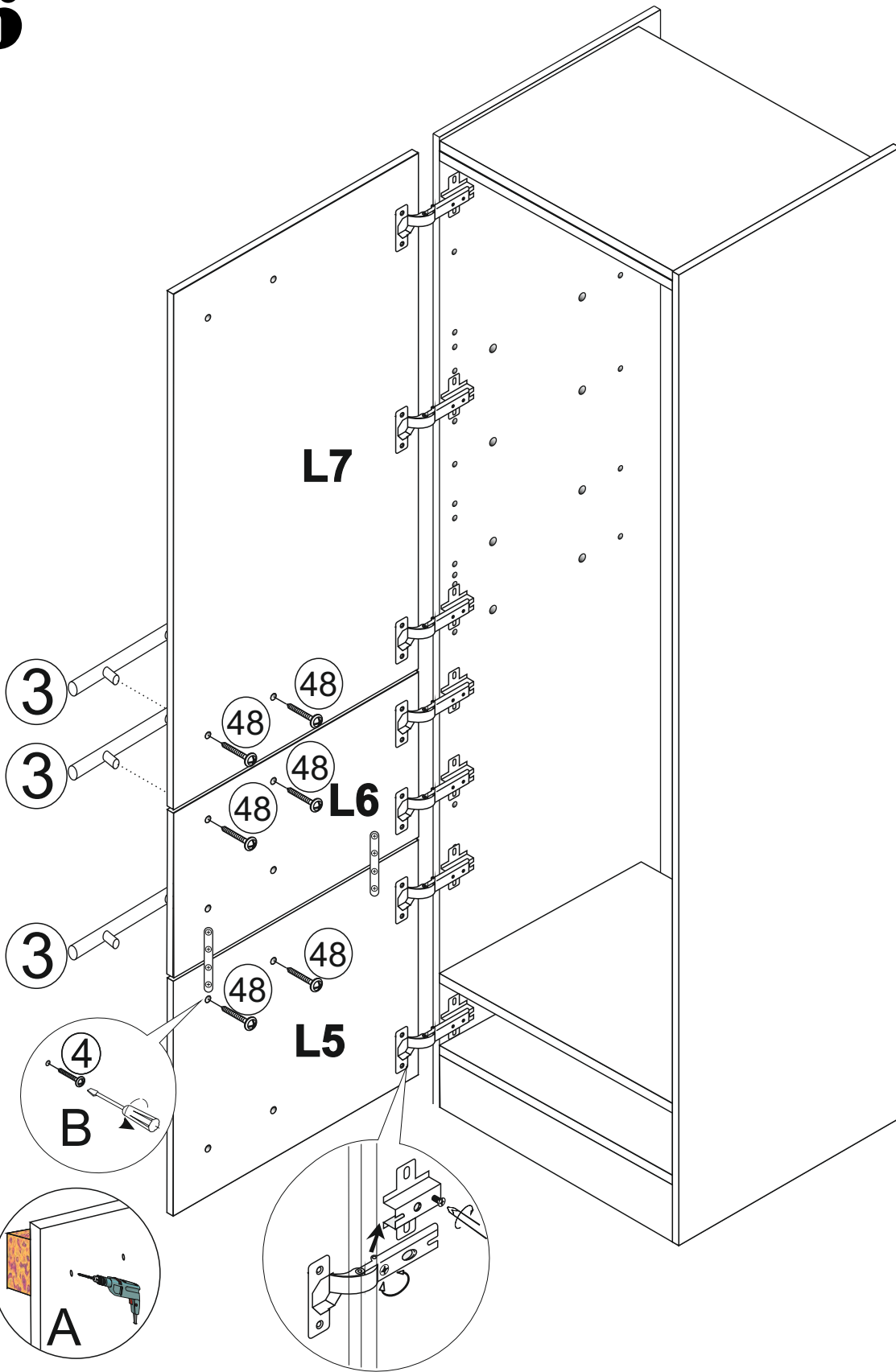
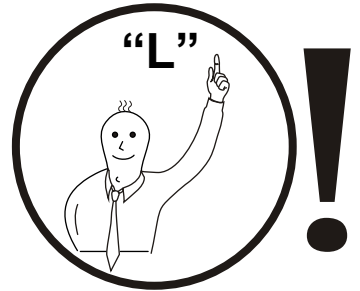


6

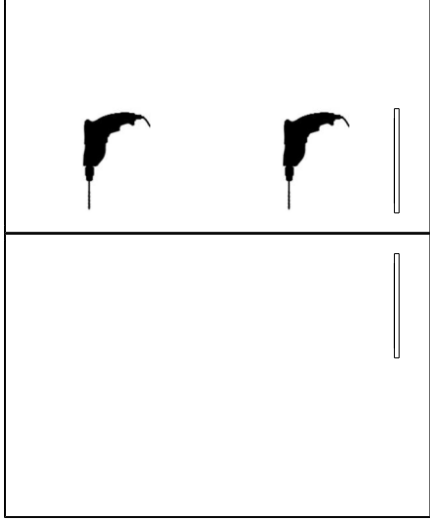
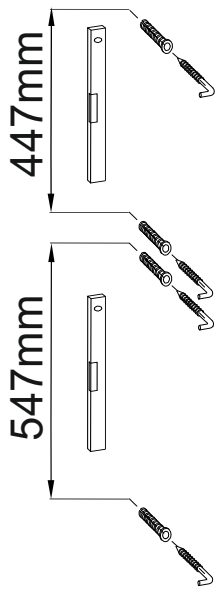
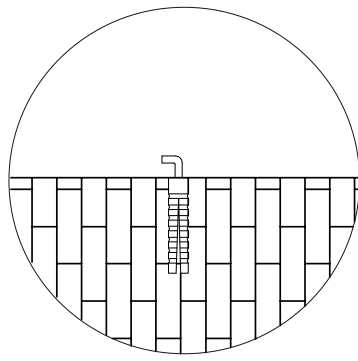
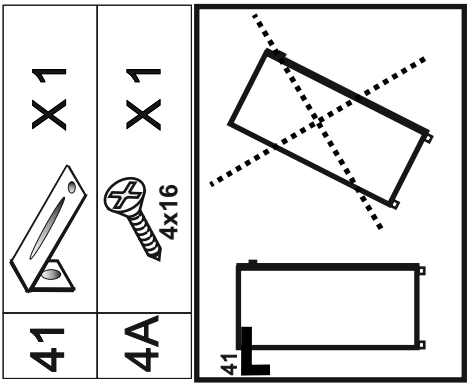
OPTION 6



X > 718mm

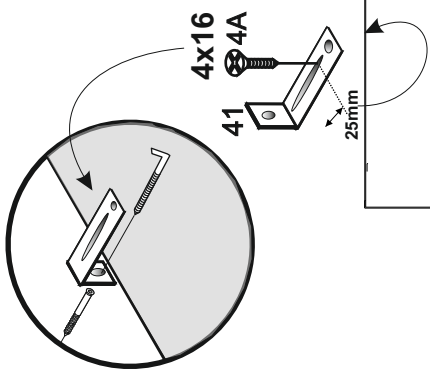
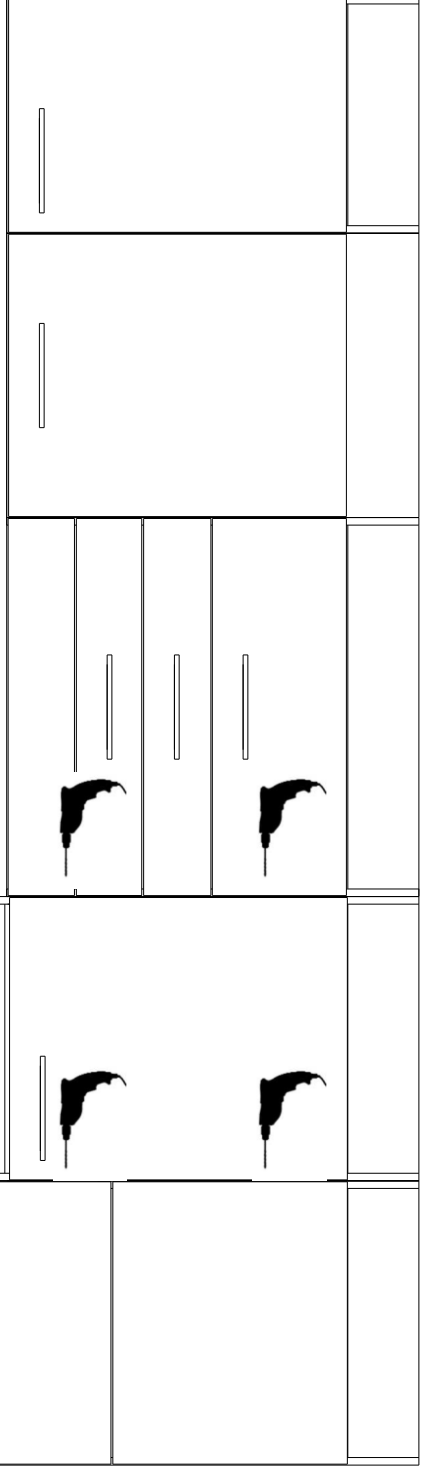
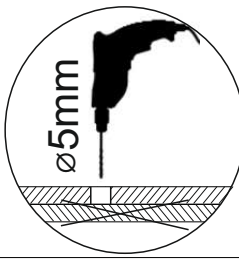
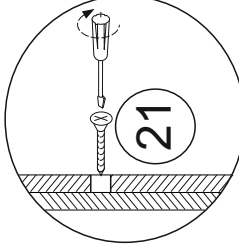


I



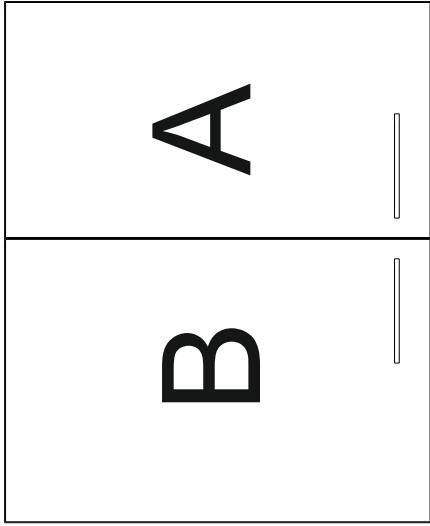
A

B



L M P J C

Z1 1900x600mm



Z1

