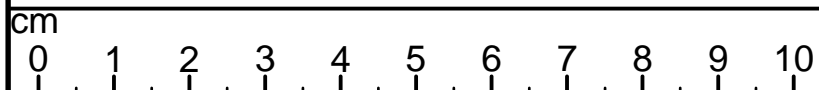
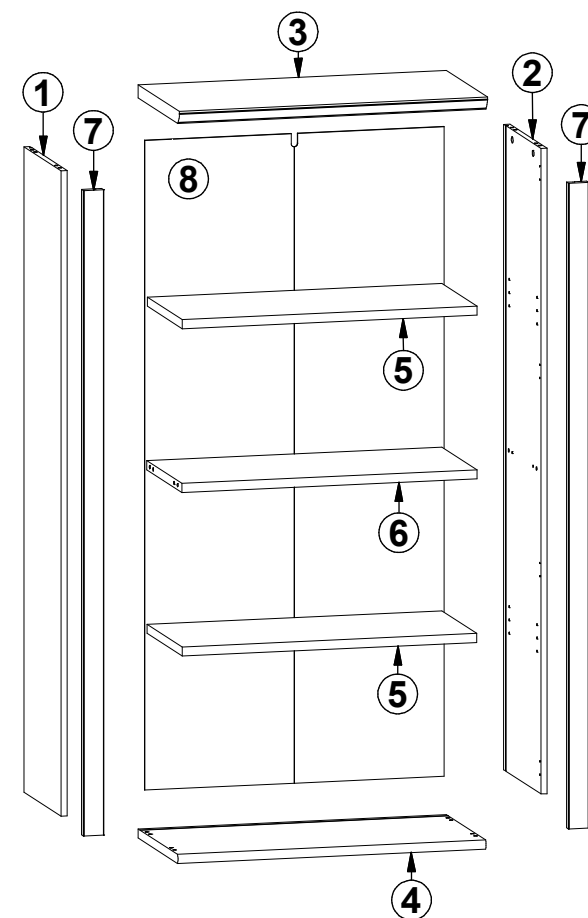
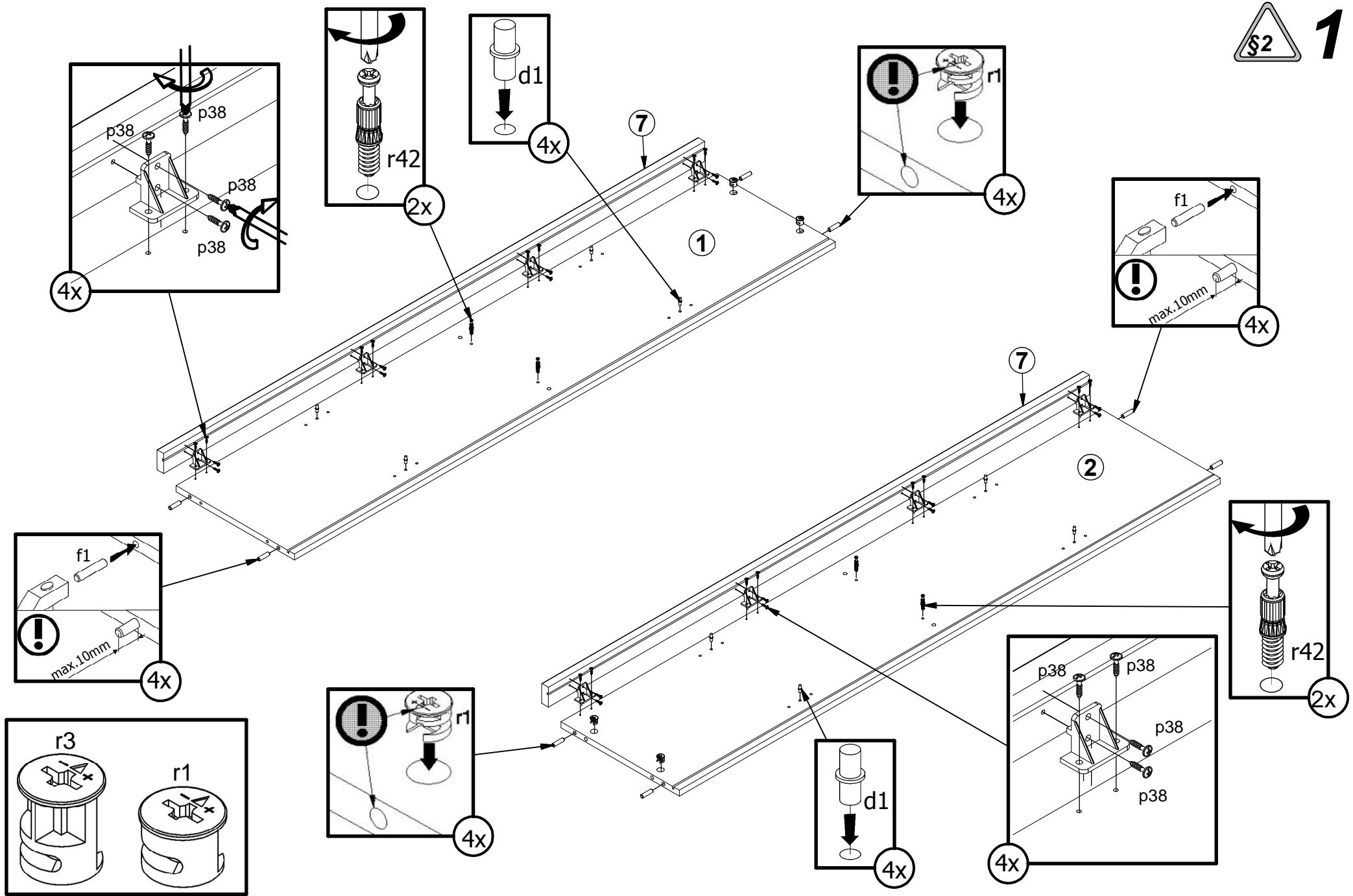
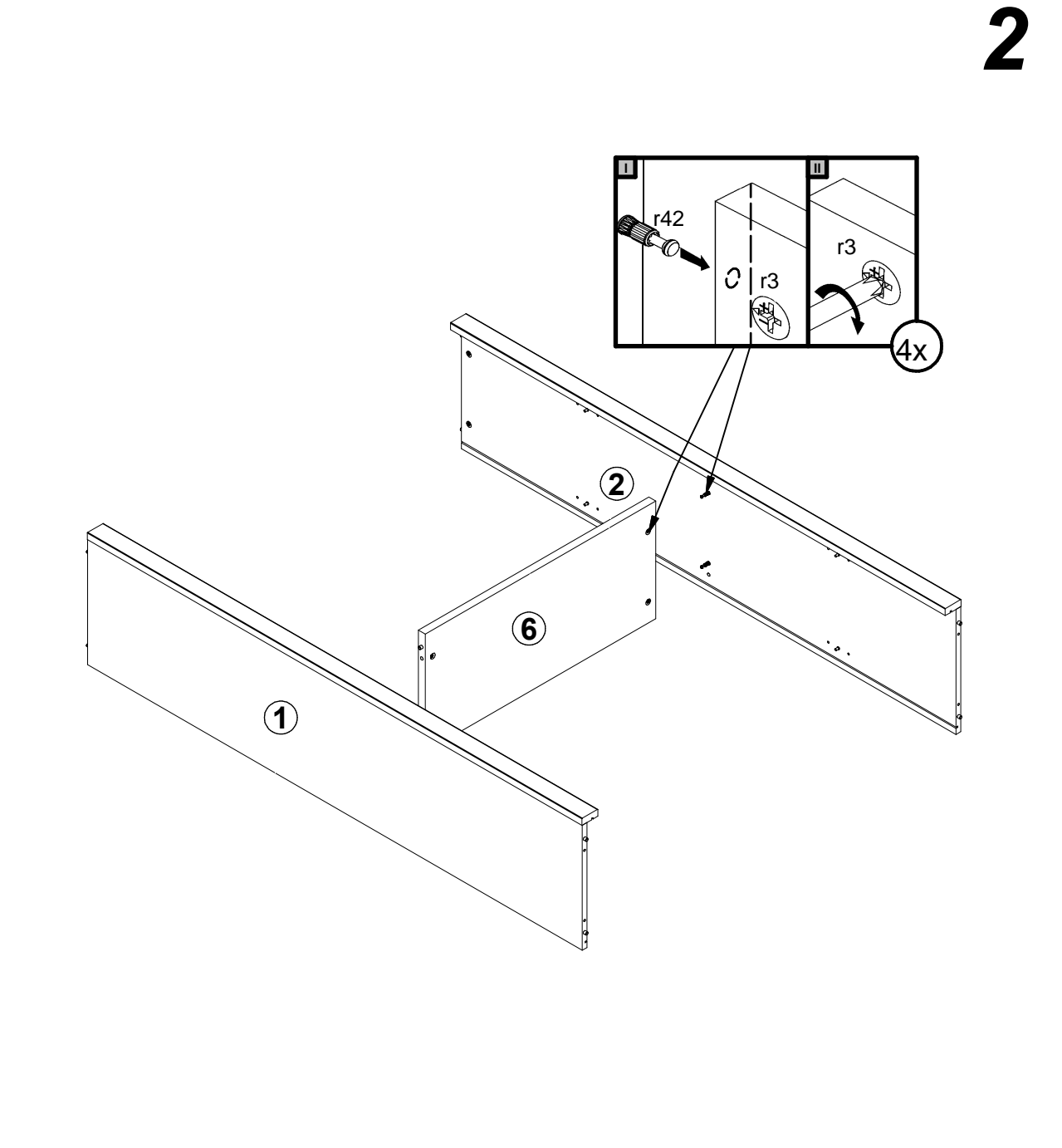
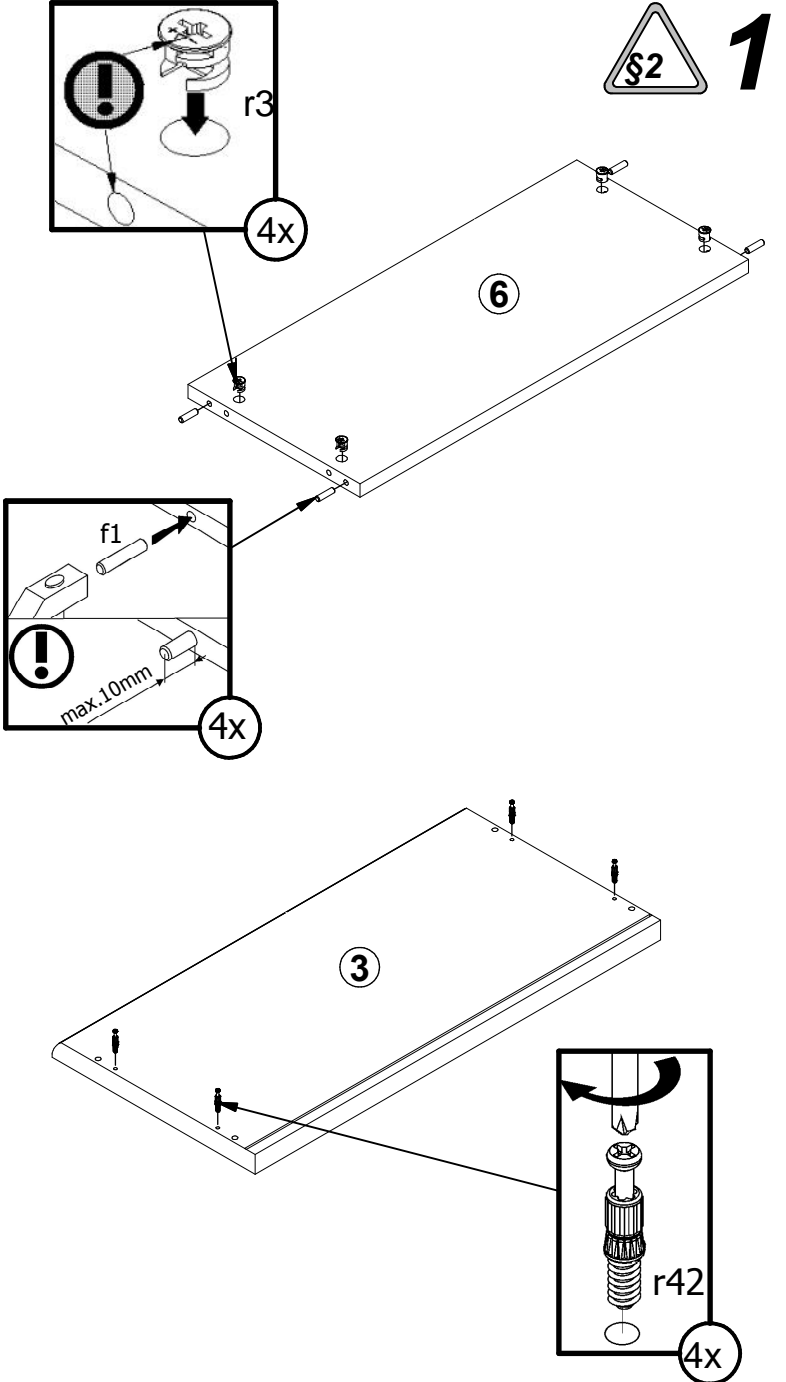


8x Ø5x17 mm d1	8x d41 d1	4x Ø7x60 mm e8	12x Ø8x30 mm f1
4x k43	12x l2	36x Ø3.5x16 mm p38	4x Ø15x12 mm #16 r1
4x Ø15x15 mm #22 r3	8x 20/11 r42	4x Ø16 s2	1x z1
1x Ø10x50 mm f35	1x 86x21x15/1.5 n14/2	1x Ø5x60 mm p17	2x Ø3.5x16 mm p38

A	B	C1	C2	C3	D
1	S516-1003	1562	342	15	2/2
2	S516-1004	1562	342	15	2/2
3	S516-2001	760	380	32	1/2
4	S516-2002	760	365	22	1/2
5	S516-3001	727	322	22	1/2
6	S516-3002	728	322	22	1/2
7	S516-5002	1562,	50	19	2/2
8	S516-9302	1572	739,	2,5	2/2

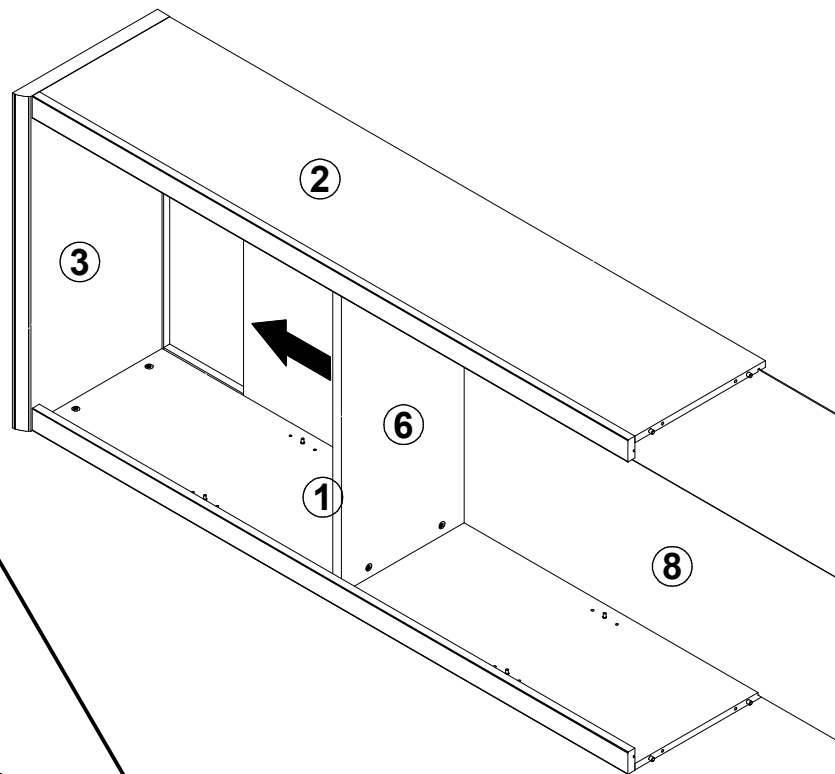
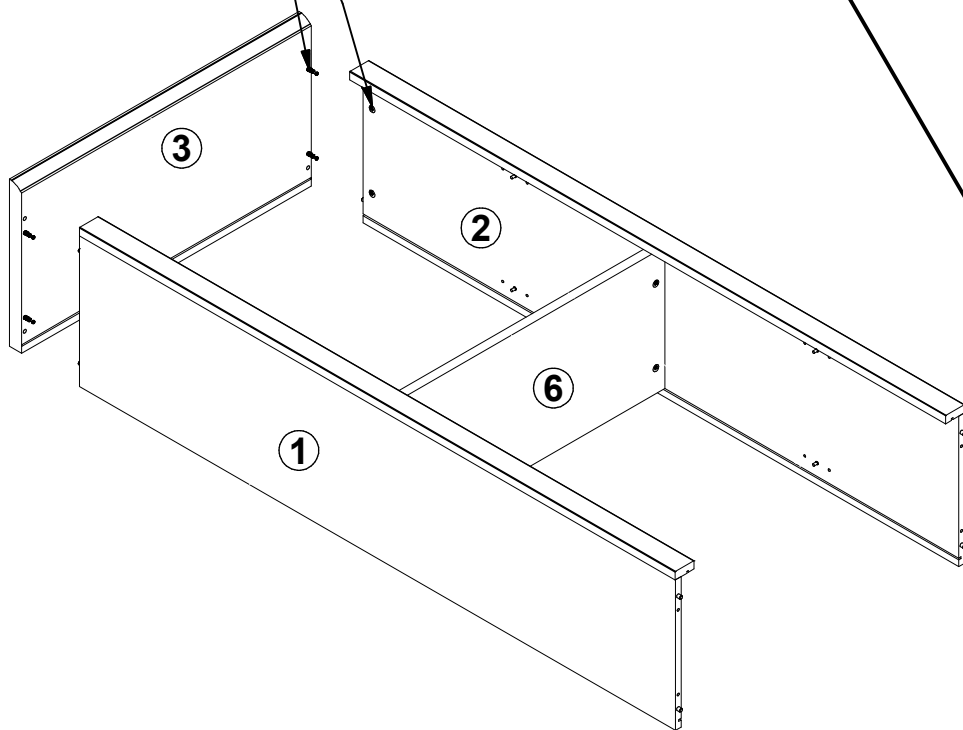
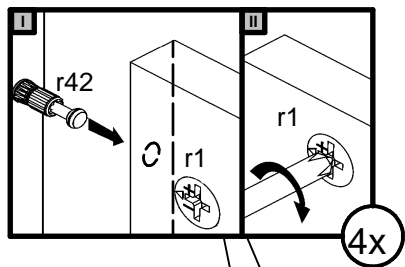




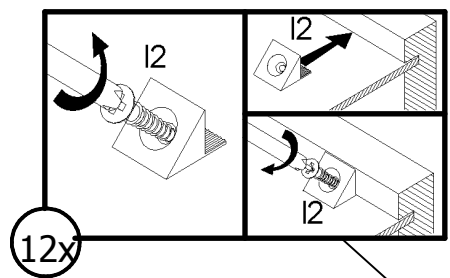


3

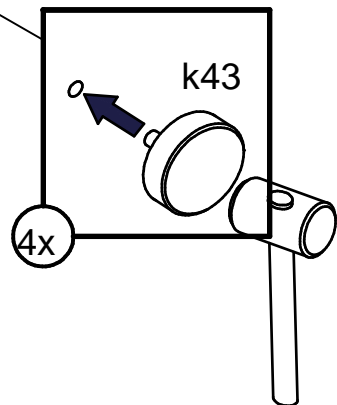
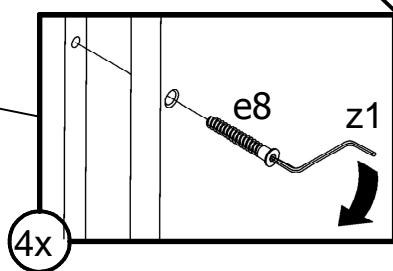
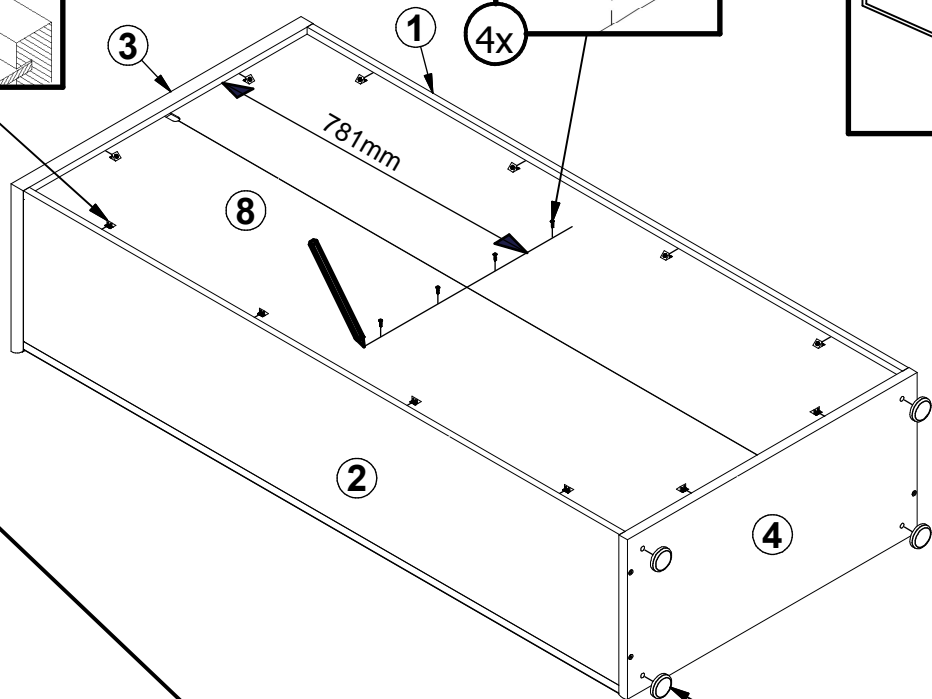
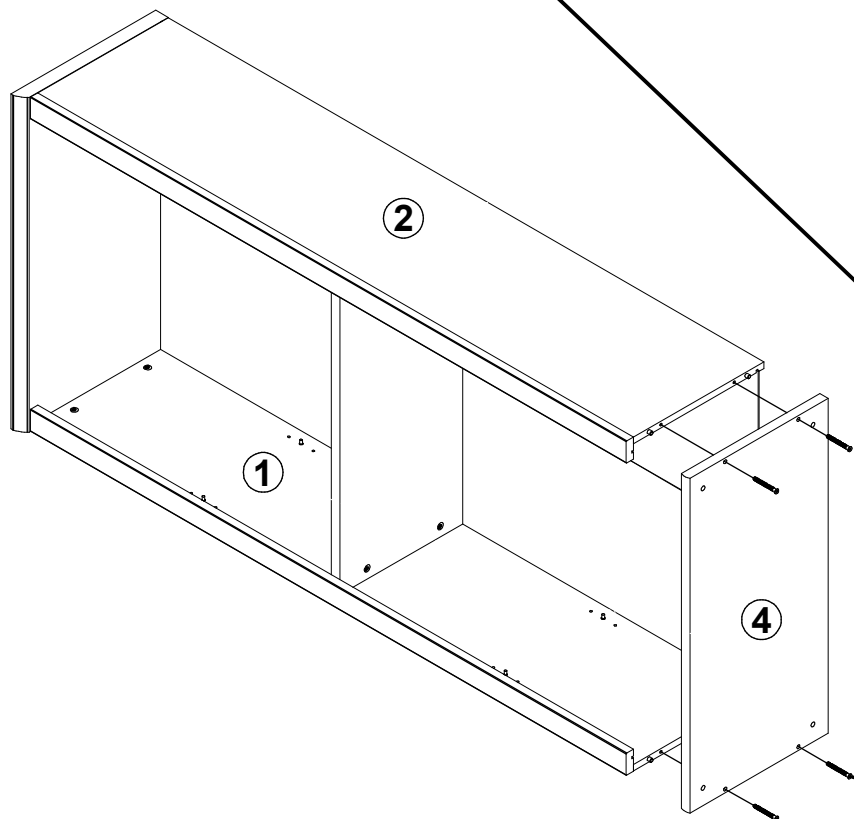
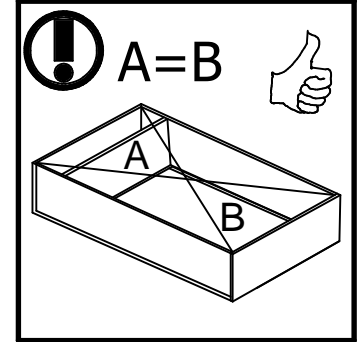
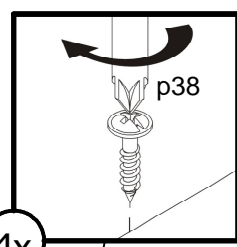
4



5



6



7

