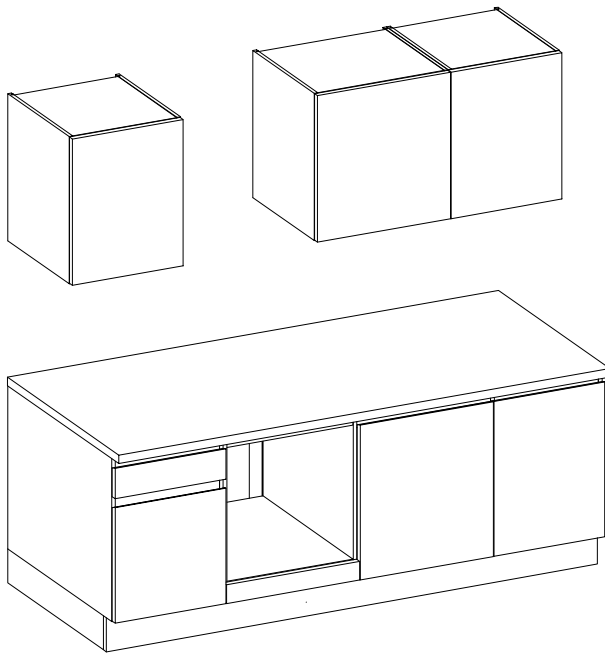
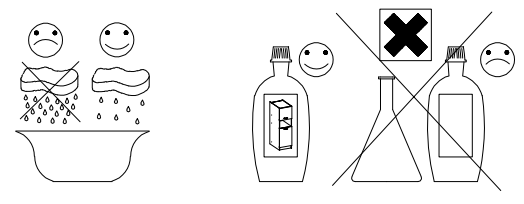
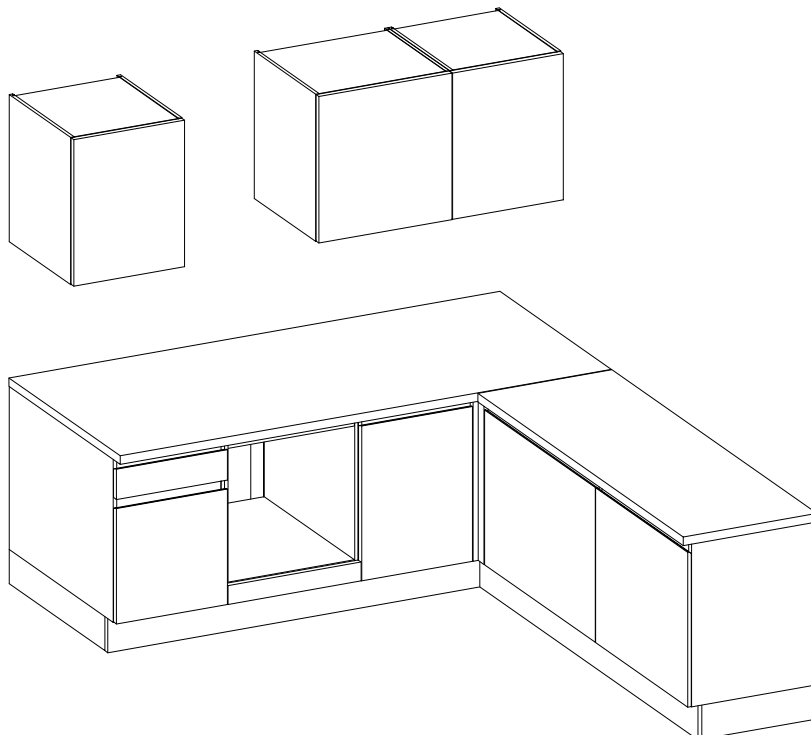


84-200-...  
ADANA  
Zeile 200  
APL

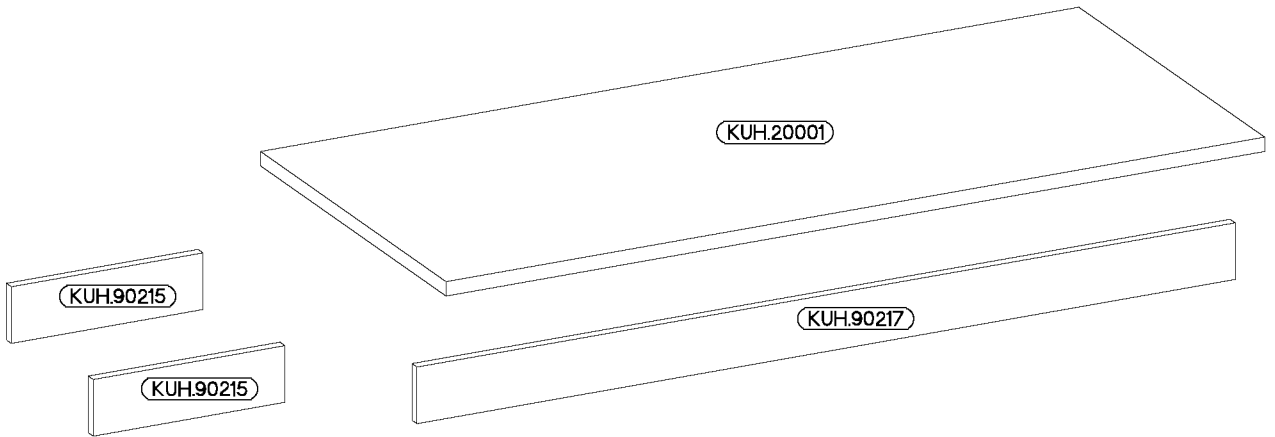
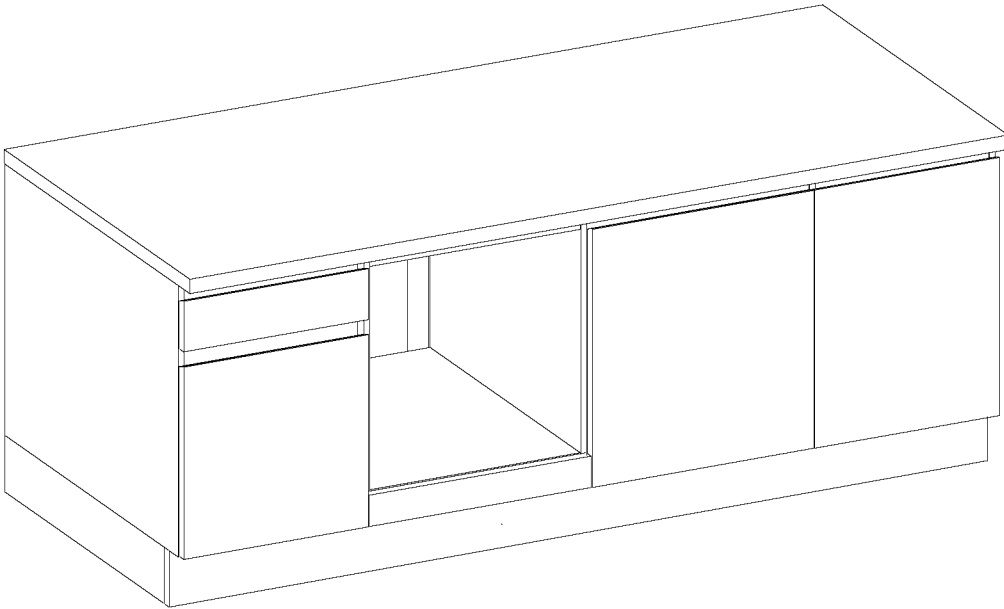
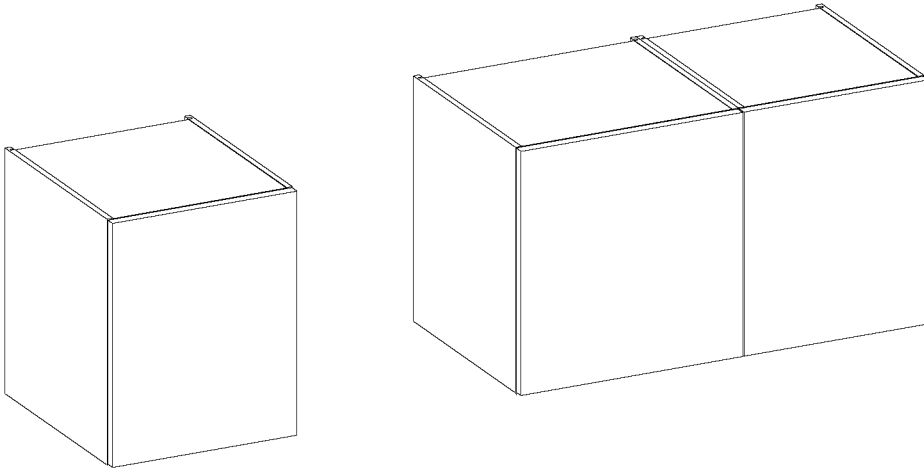


VARIANT 1




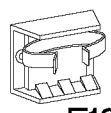
VARIANT 2

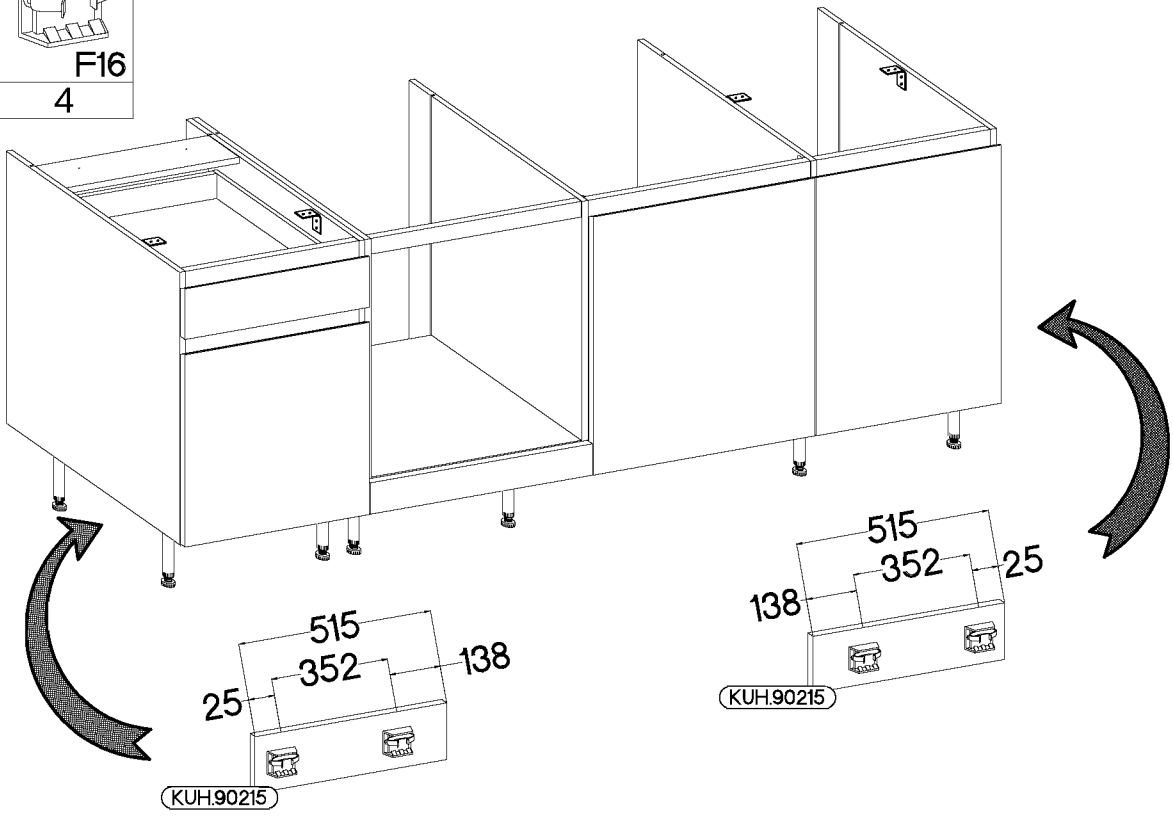
# VARIANT 1



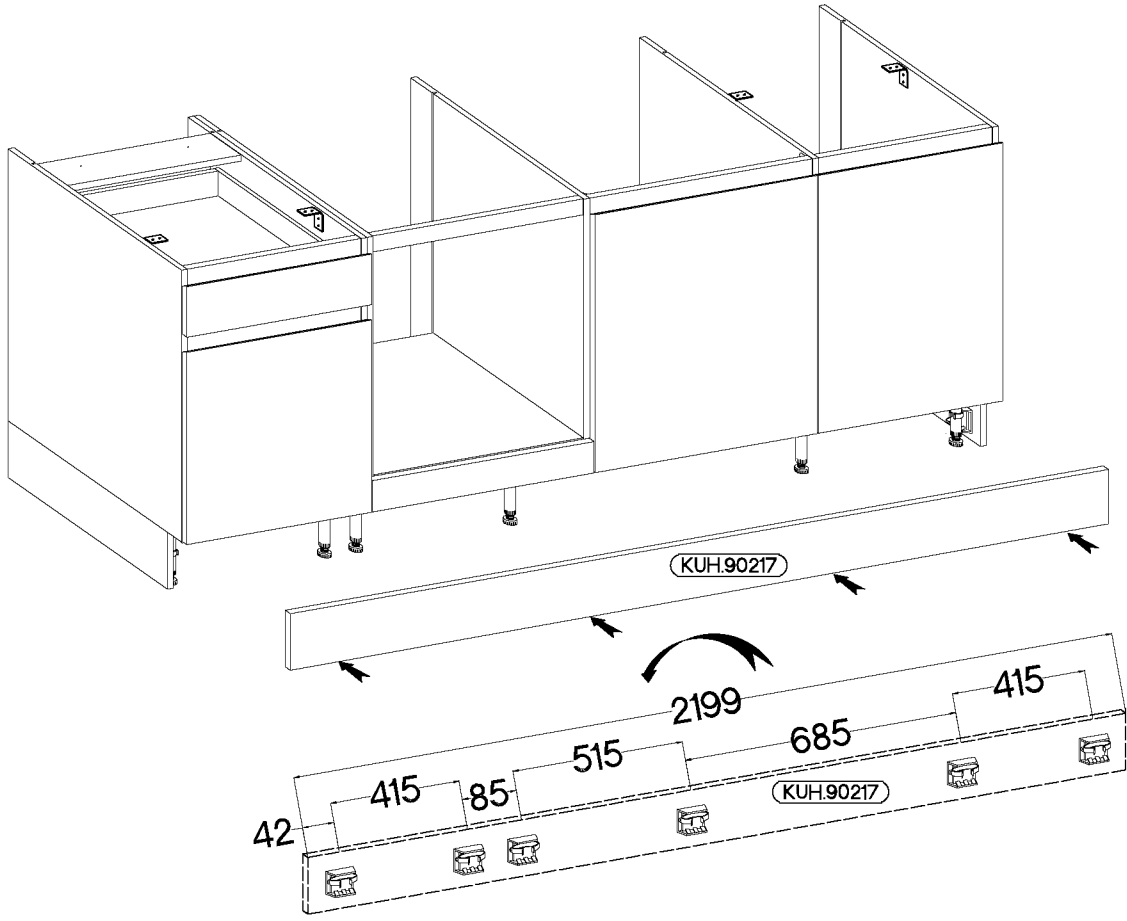
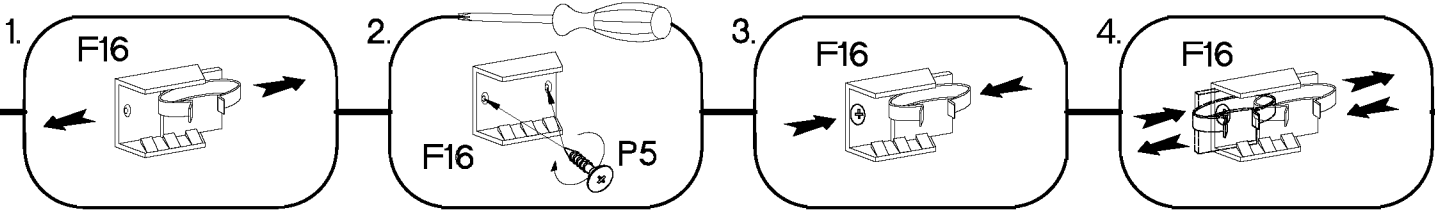
Colli	Spare Part	Dimension
Colli 6/6	KUH.20001	2200x600x38
	KUH.90215 x2	515x150x16
	KUH.90217	2199x150x16


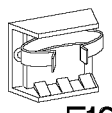
1

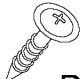

±3.5x13mm		
	P5	F16
	8	4

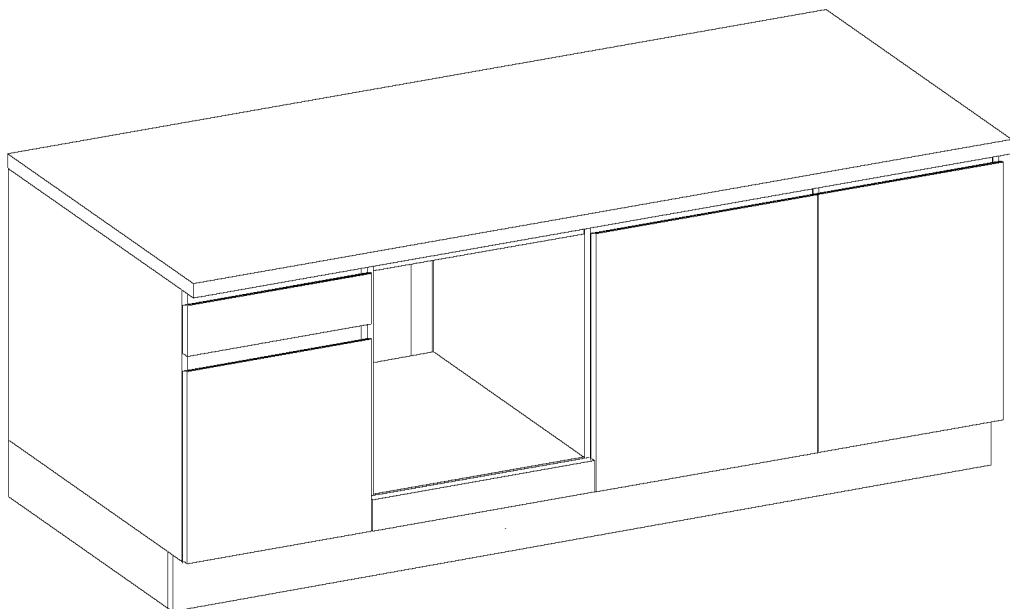
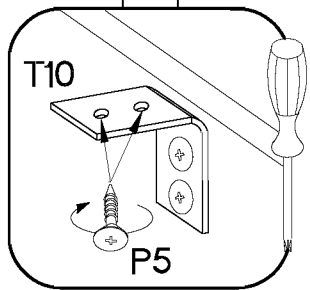
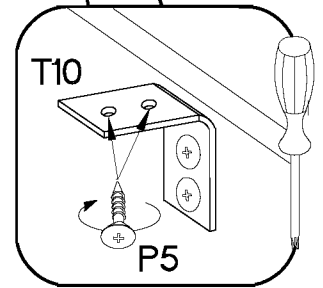
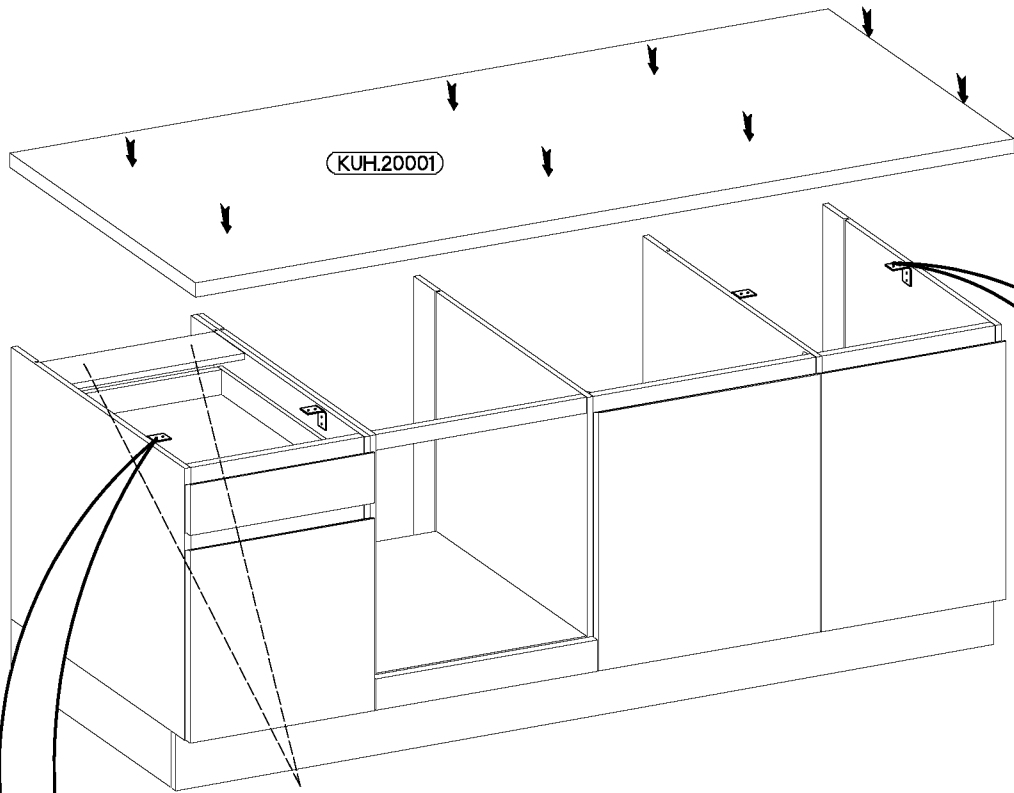
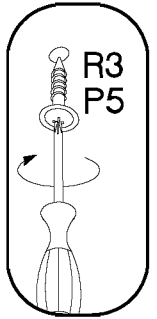


2



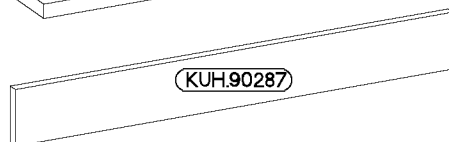
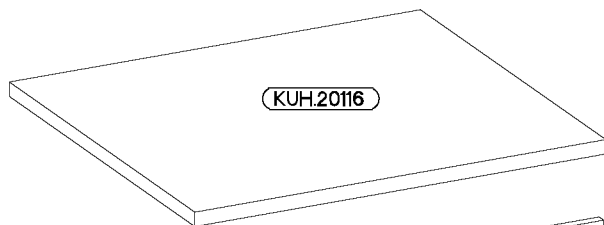
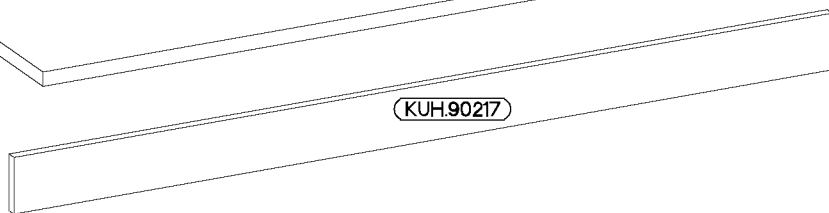
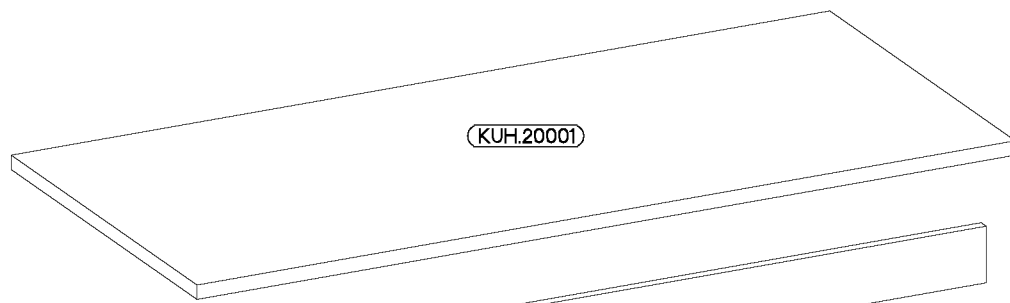
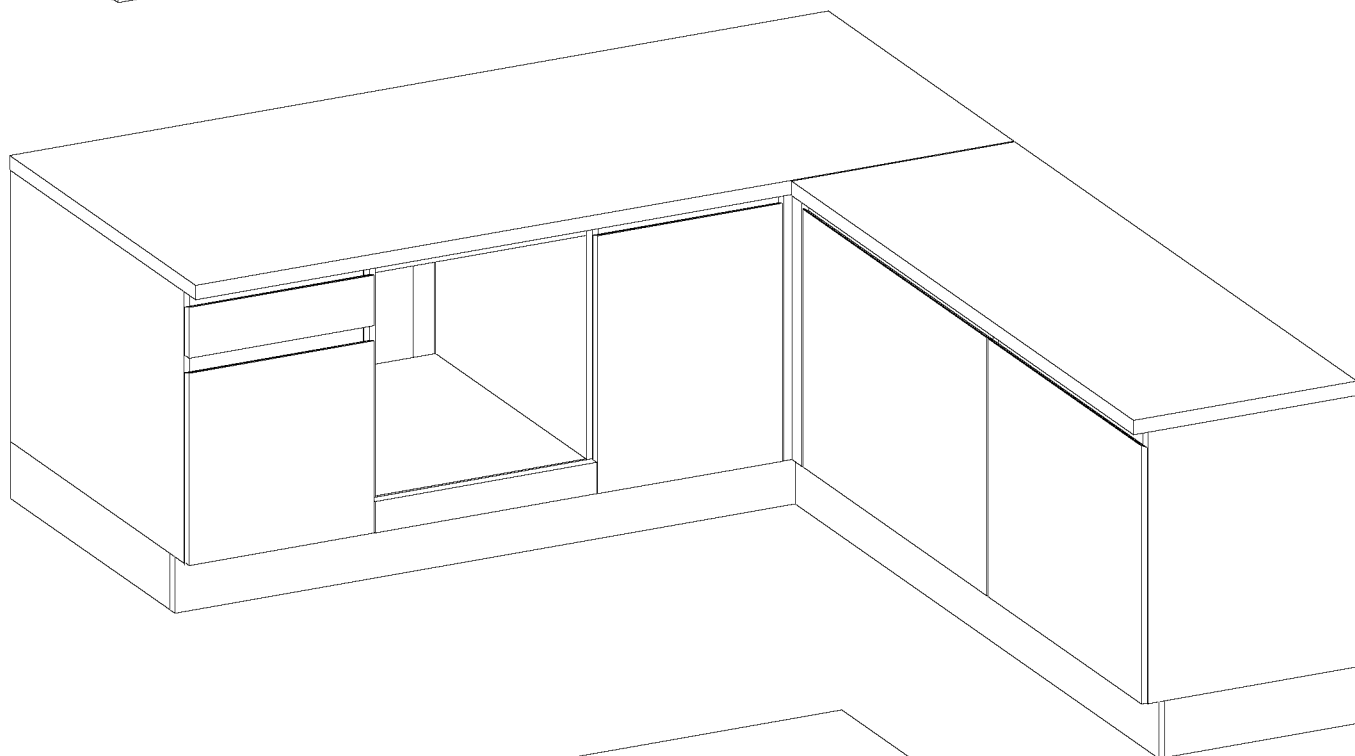
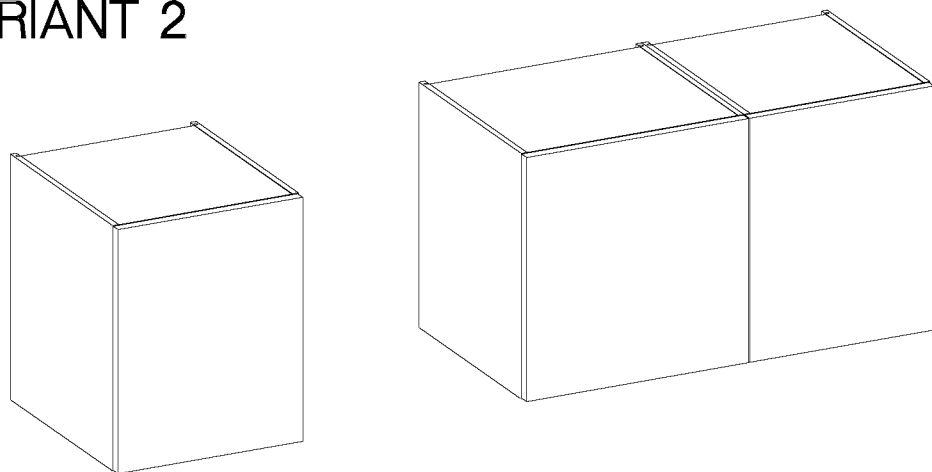
±3.5x13mm		
	P5	F16
	12	6

4.0x35mm	3.5x13mm
	
R3	P5
2	8



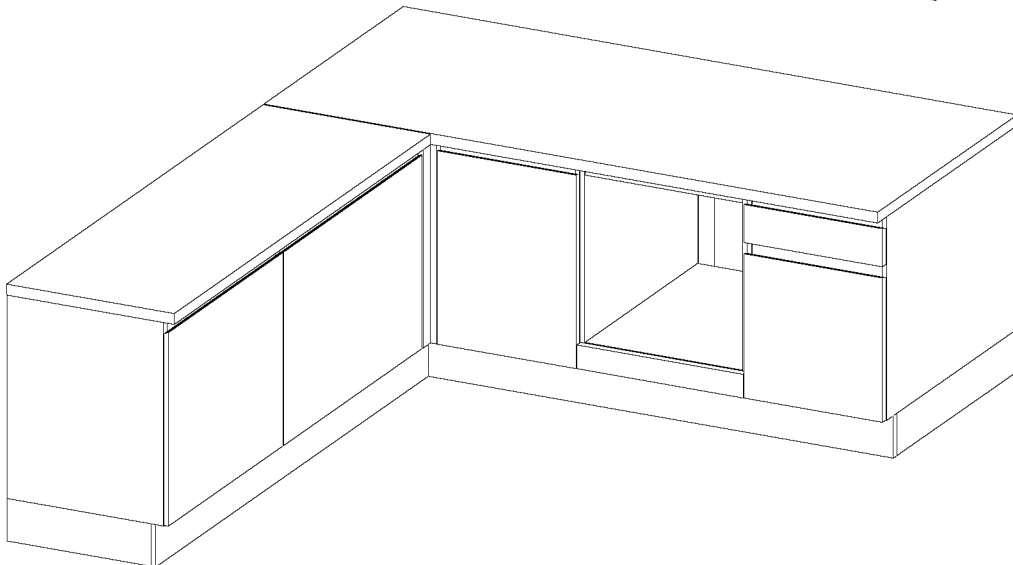
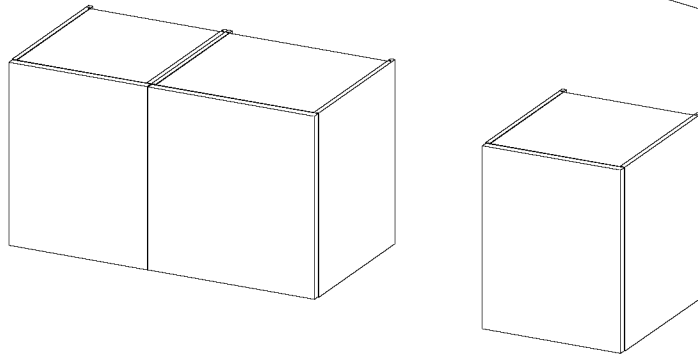
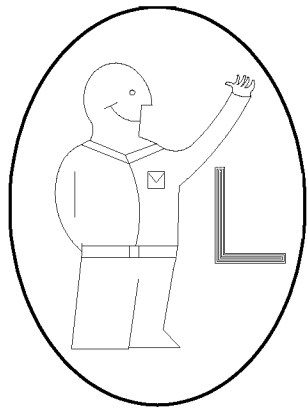
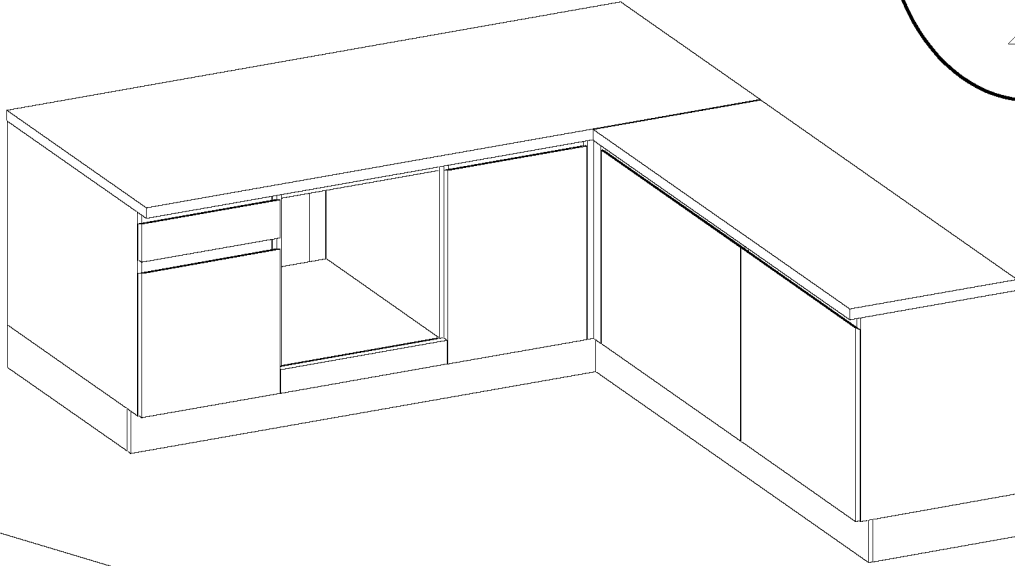
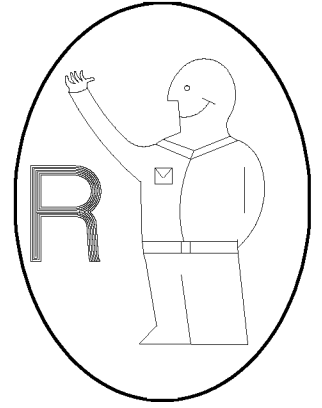
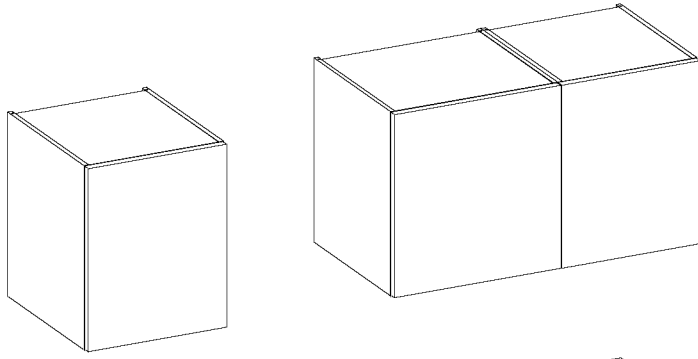


# VARIANT 2



Colli	Spare Part	Dimension
Colli 2/2	KUH.20116	1105x600x38
	KUH.90287	1176x150x16

Colli	Spare Part	Dimension
Colli 6/6	KUH.20001	2200x600x38
	KUH.90215 x2	515x150x16
	KUH.90217	2199x150x16



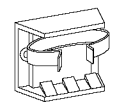
4

±3.5x13mm



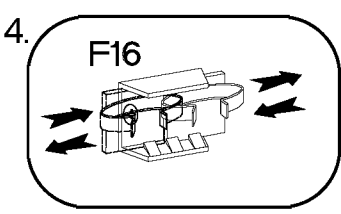
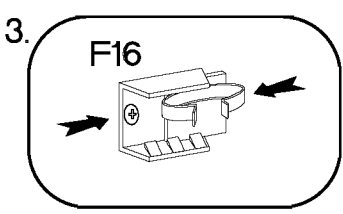
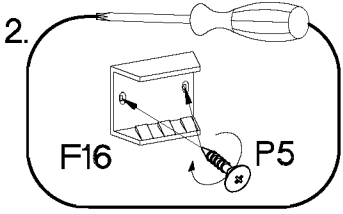
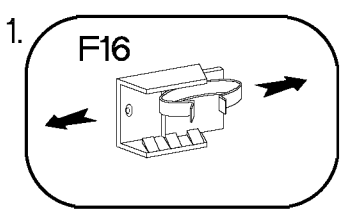
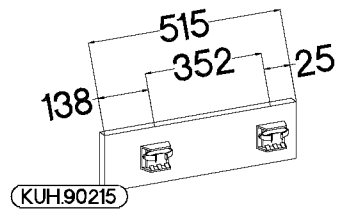
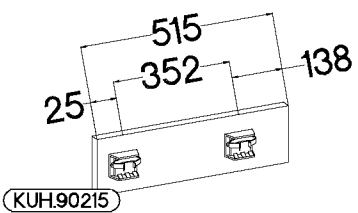
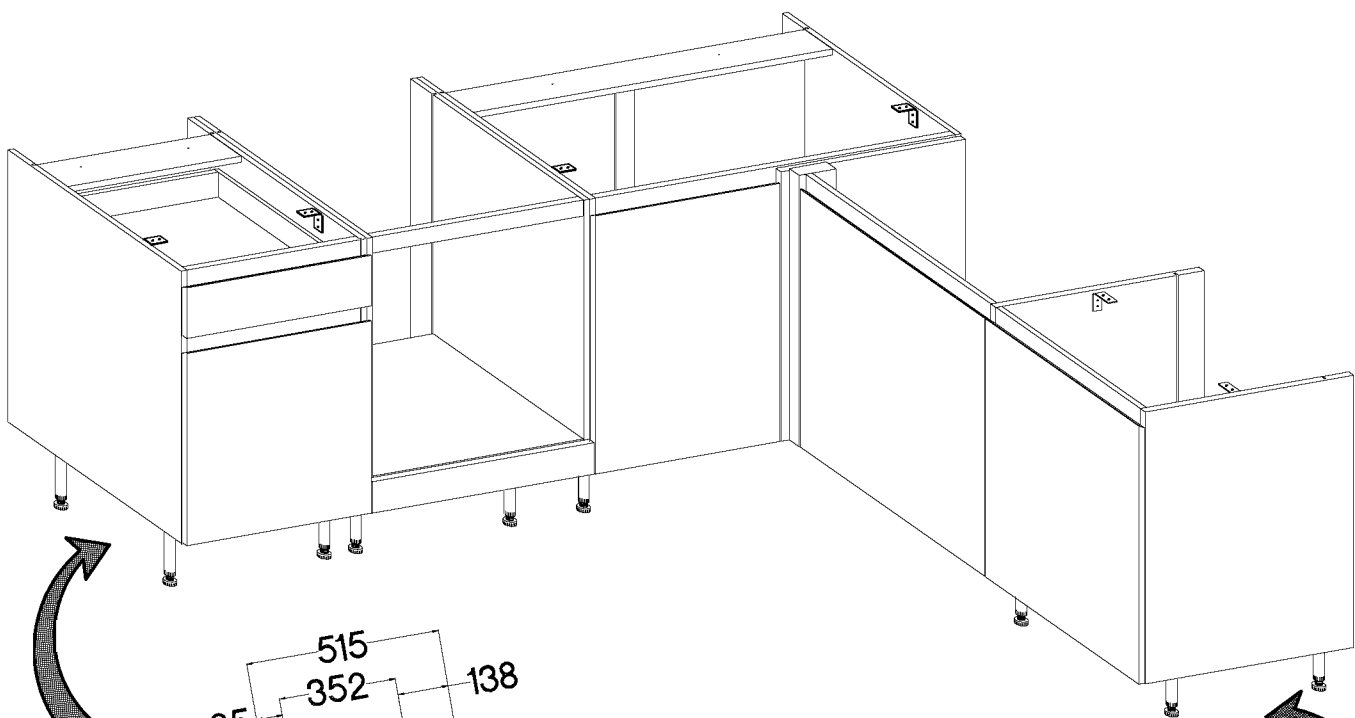
P5

8



F16

4



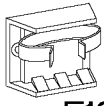
# 5

+3.5x13mm



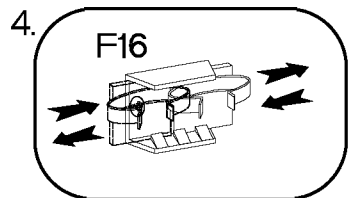
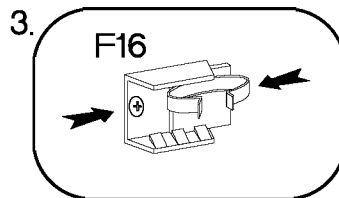
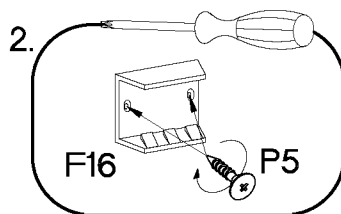
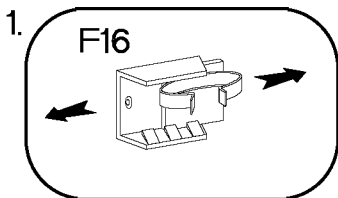
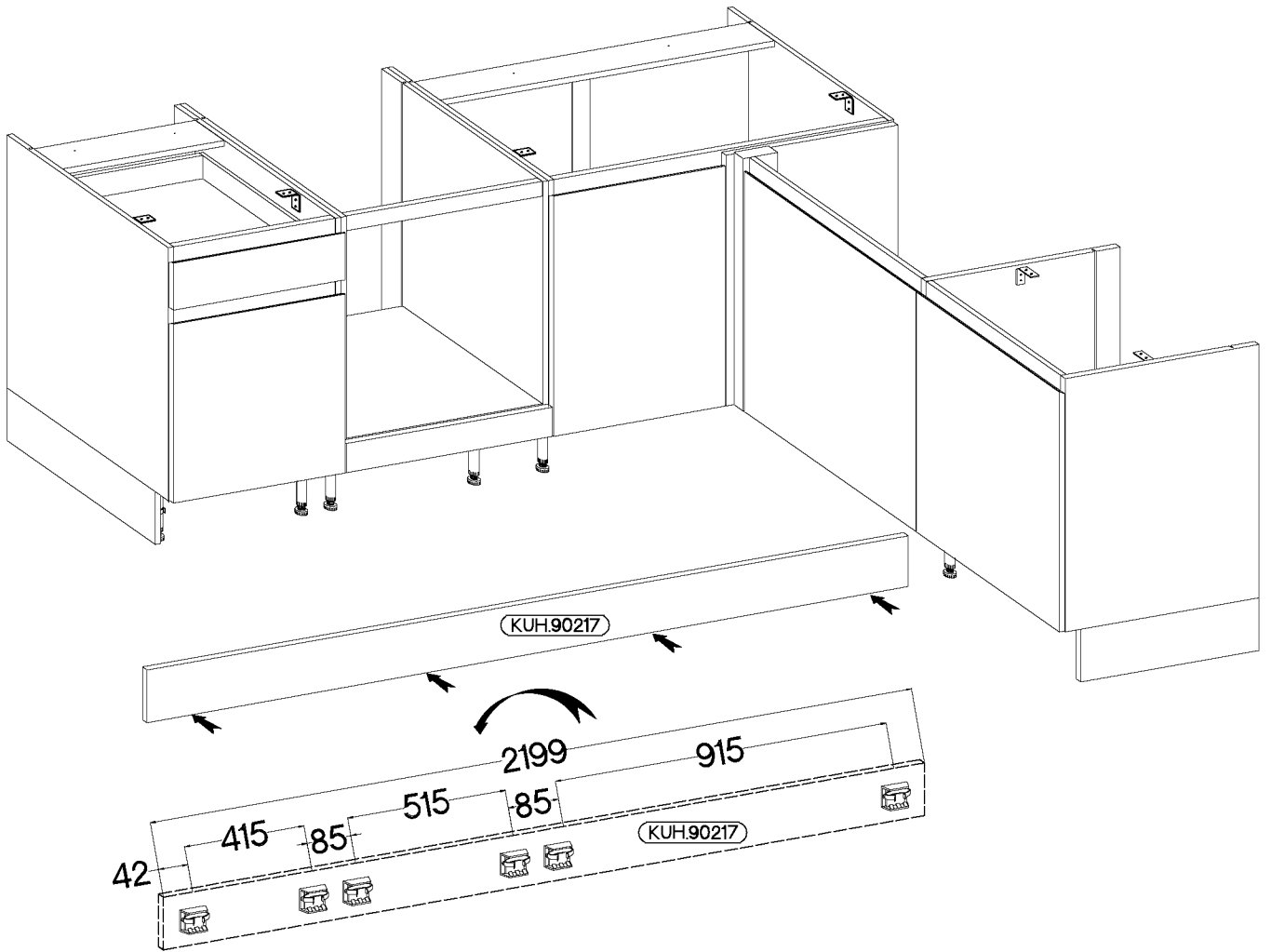
P5

12



F16

6



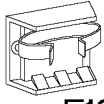
6

+3.5x13mm



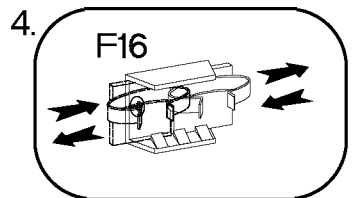
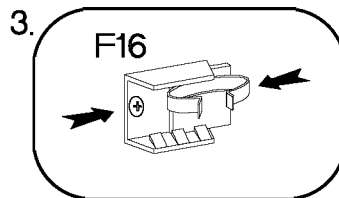
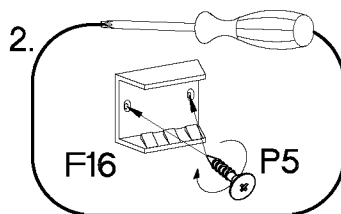
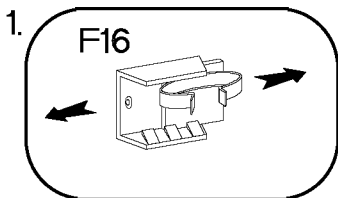
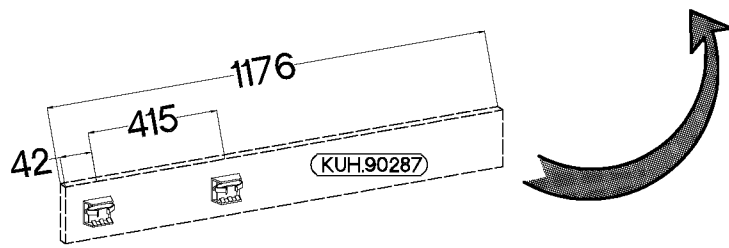
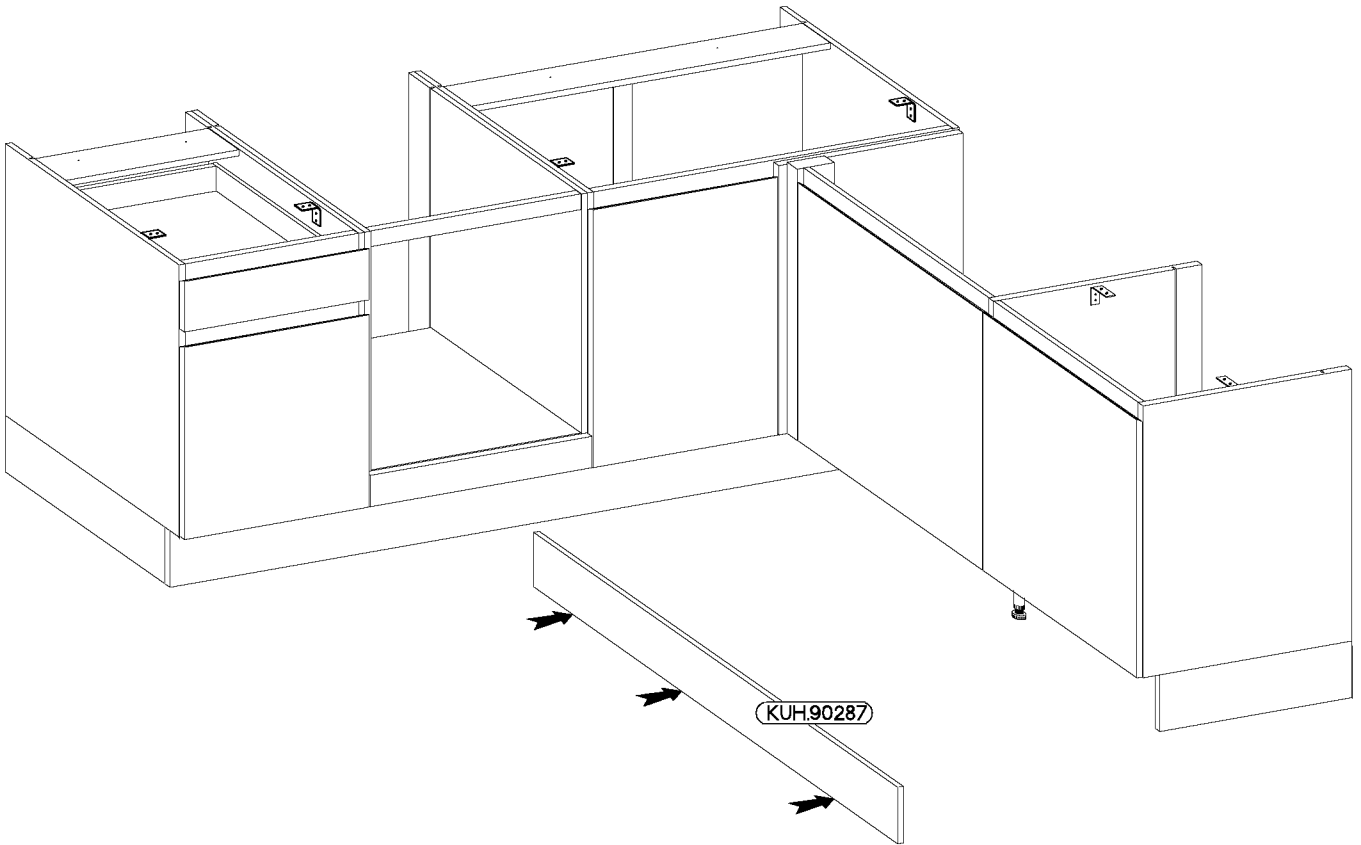
P5

4





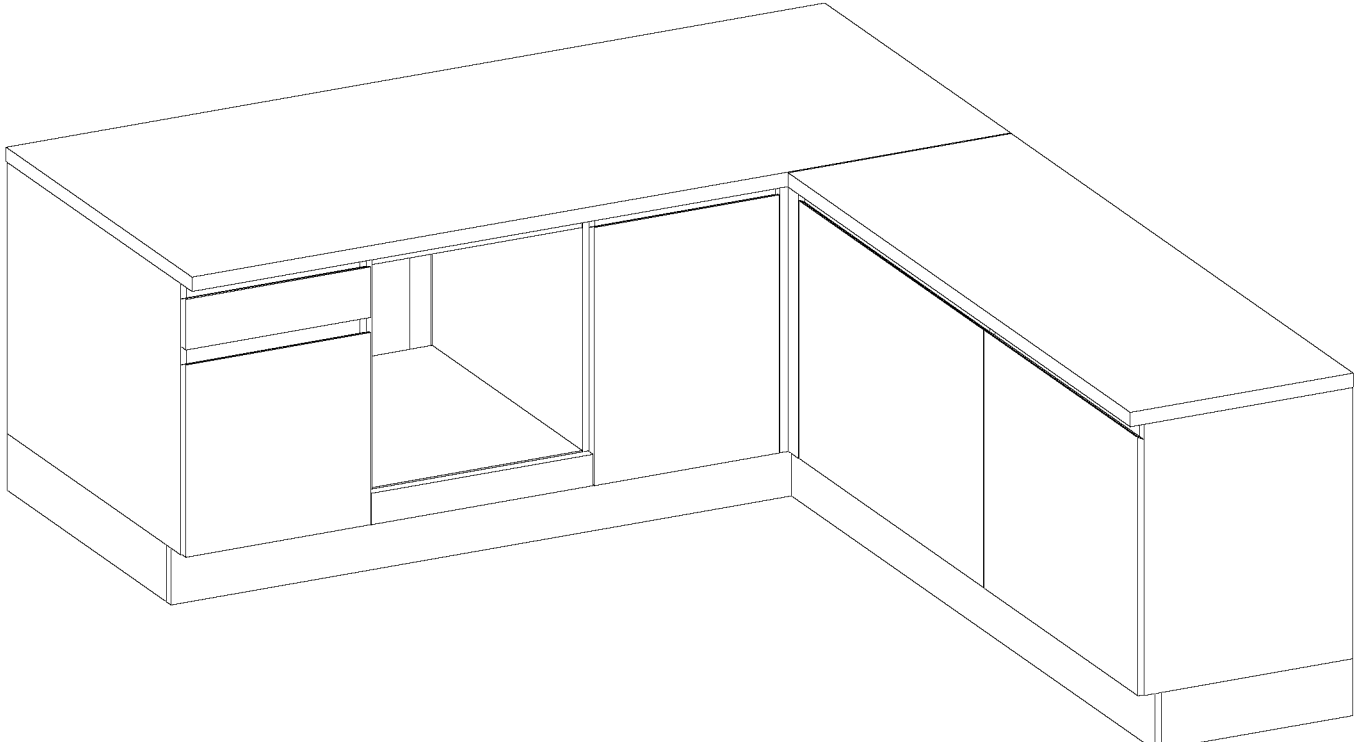
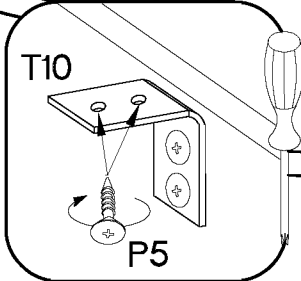
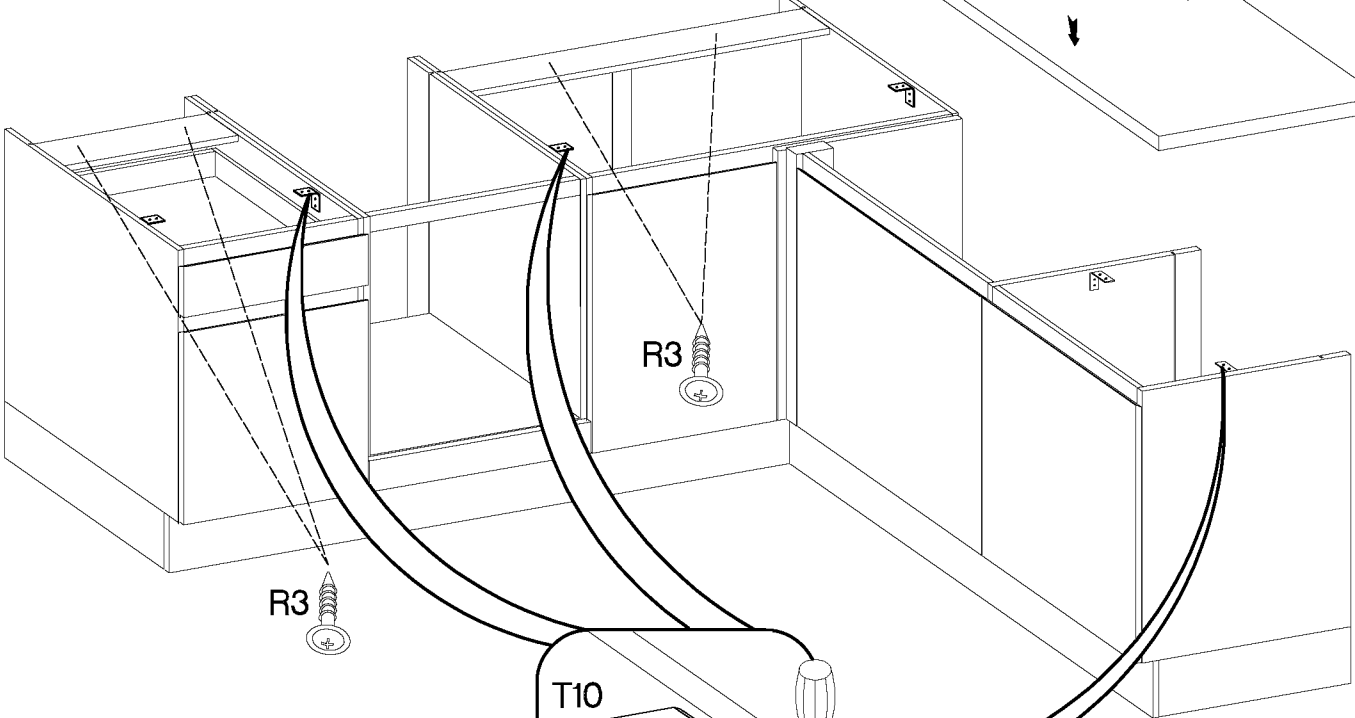
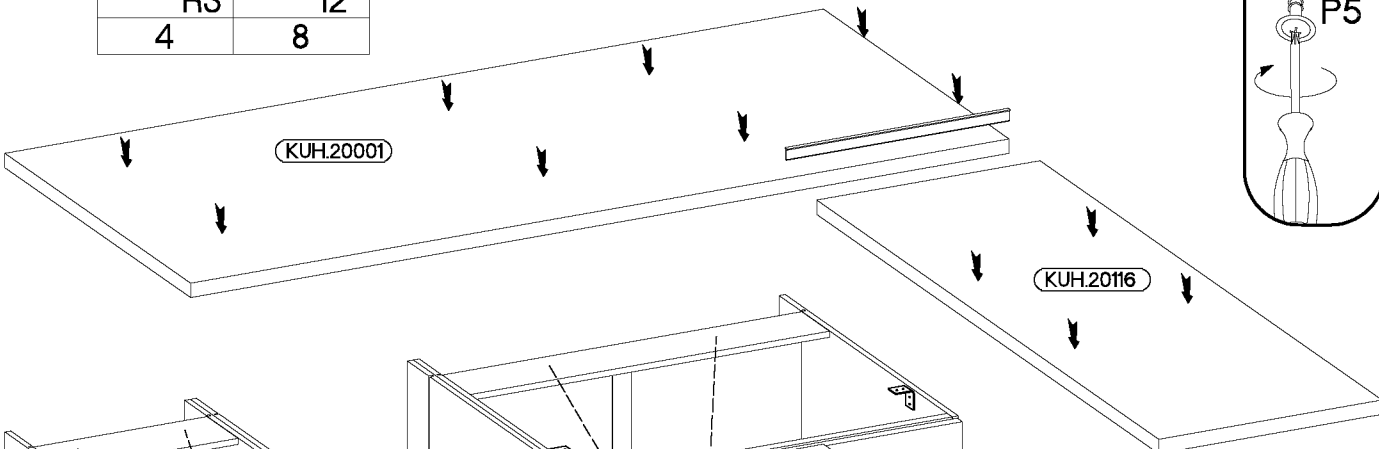
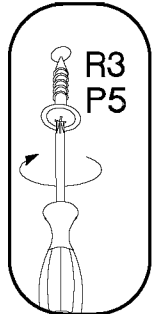
F16

2




7

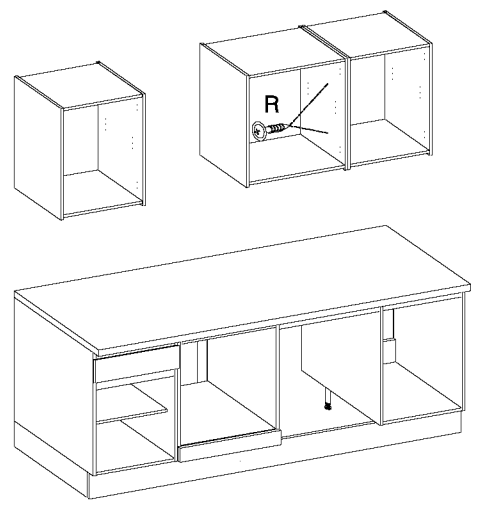
+4.0x35mm	+3.5x13mm
	
R3	12
4	8




# 10

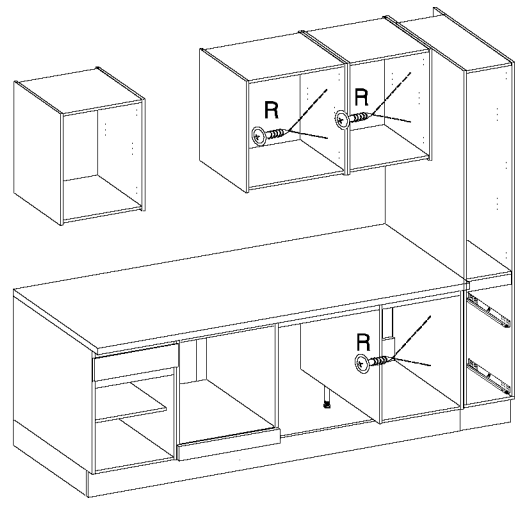
±4.0x25mm  
  
R  
2


## V 1



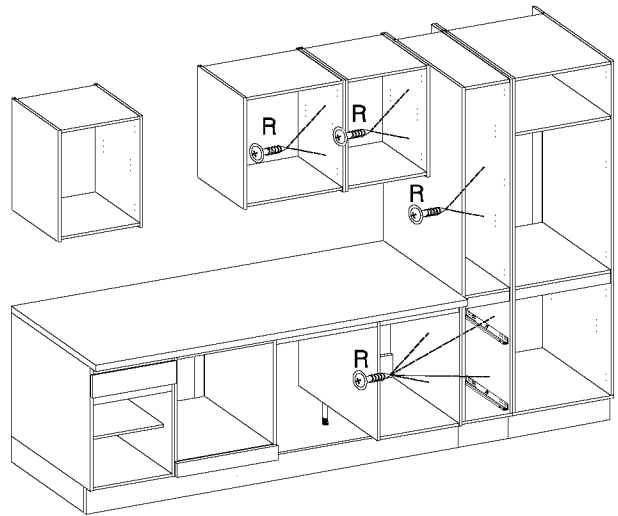
±4.0x25mm  
  
R  
6

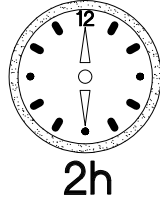
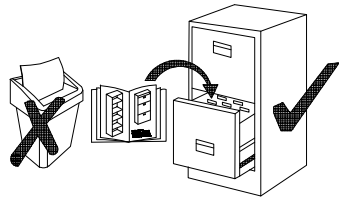
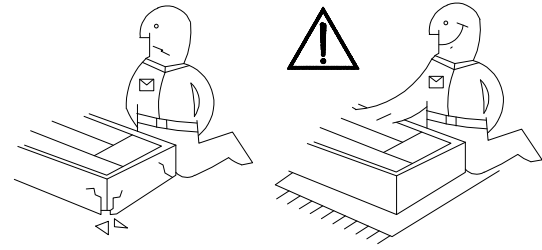
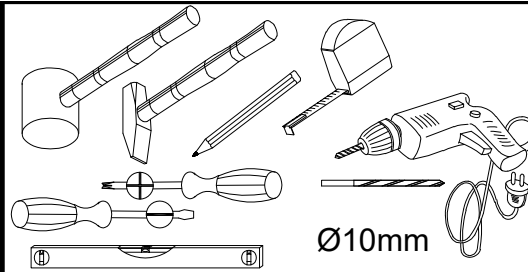
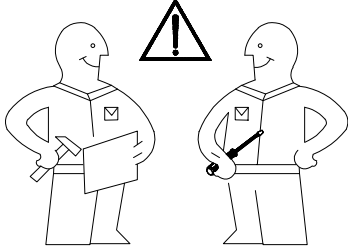
## V 2



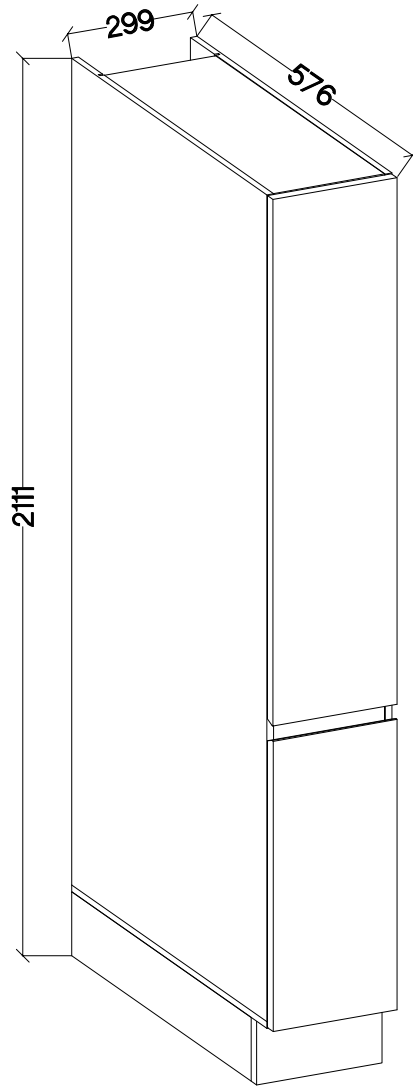
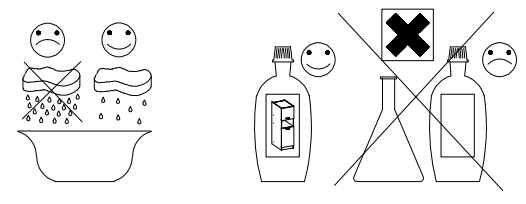
±4.0x25mm  
  
R  
10

## V 3





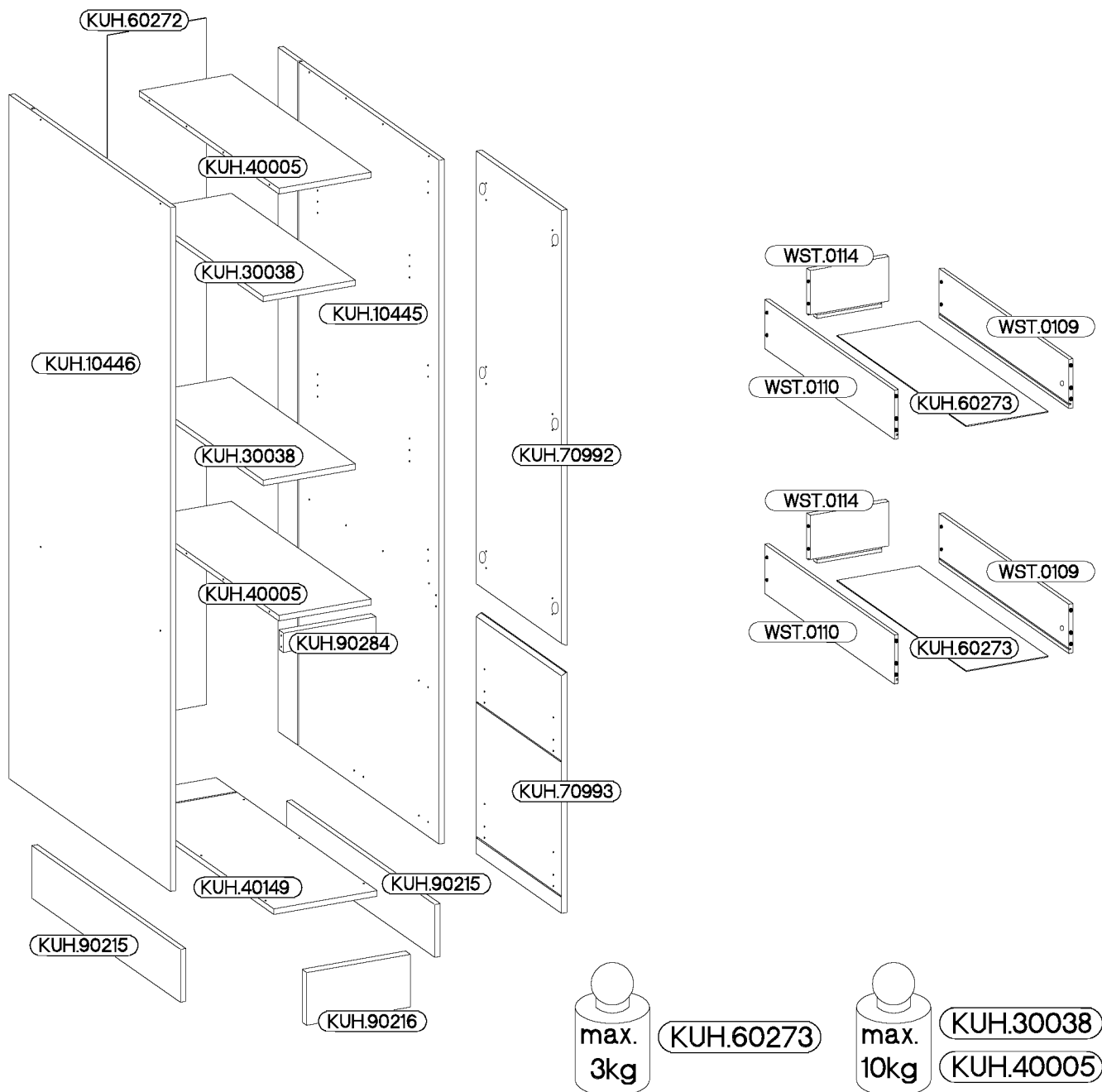
73-202-...  
ADANA  
Apotheker



 +8x30mm A	 6,4 x 50mm B	 +6x42mm B2	 +15/12mm C	 +12/10mm C5	 L=20mm D2	 E1
18	14	8	2	4	6	14
 +35mm E5	 F16	 L=135-170cm F15	 +35/0mm HG	 L=450mm L R L11	 +5/16mm J3	
3	6	4	3	2	8	
 120x30x15mm L25	 +6.3x13mm M2	 O	 +3.5x13mm P5	 +3.0x20mm P7	 +4.0x25mm R	
1	16	1	36	12-15	4	

ISM-KUH-01727



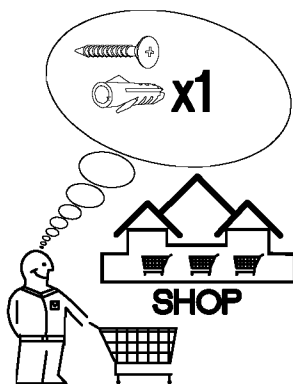


KUH.60273



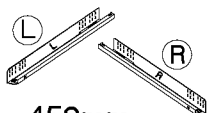

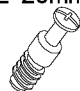
KUH.30038

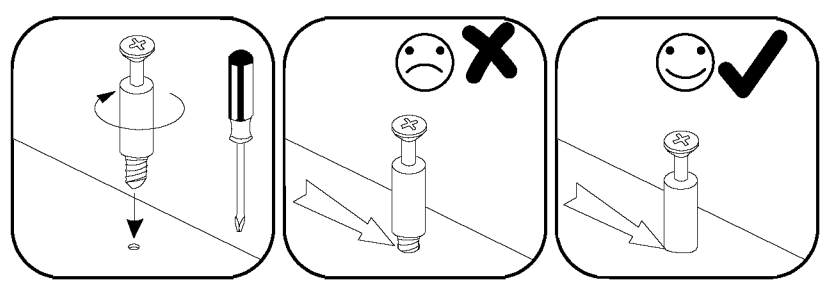
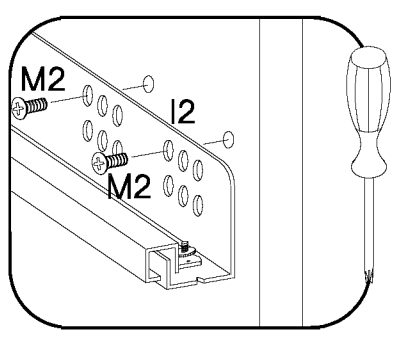
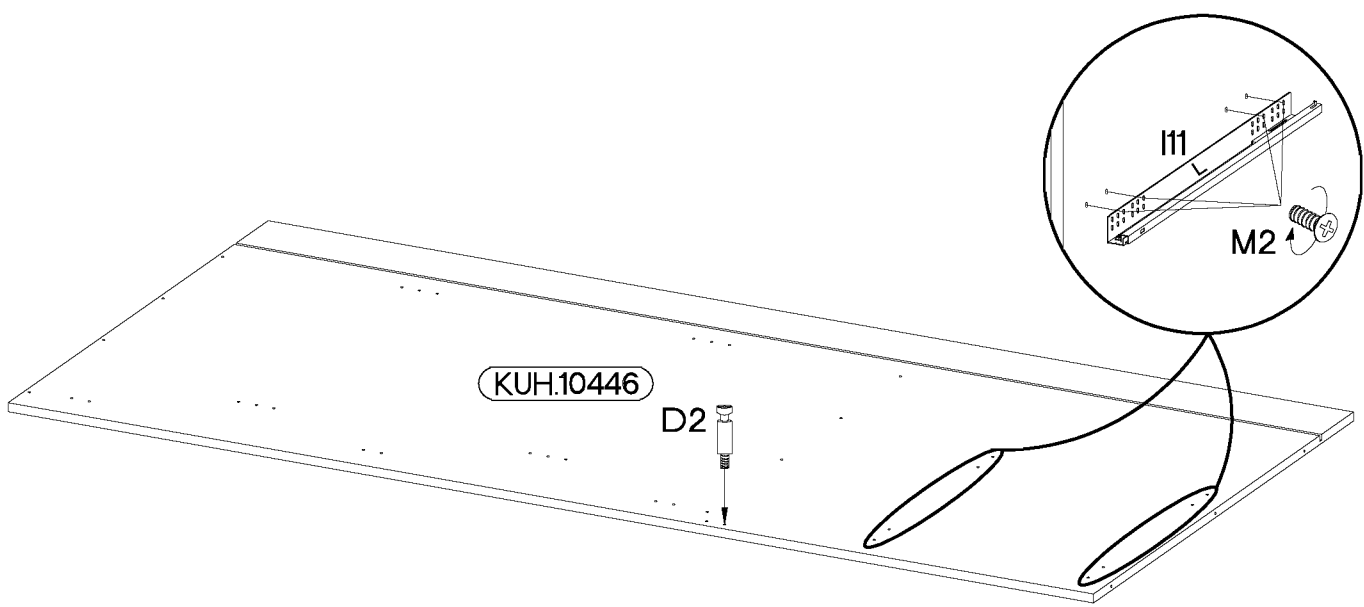
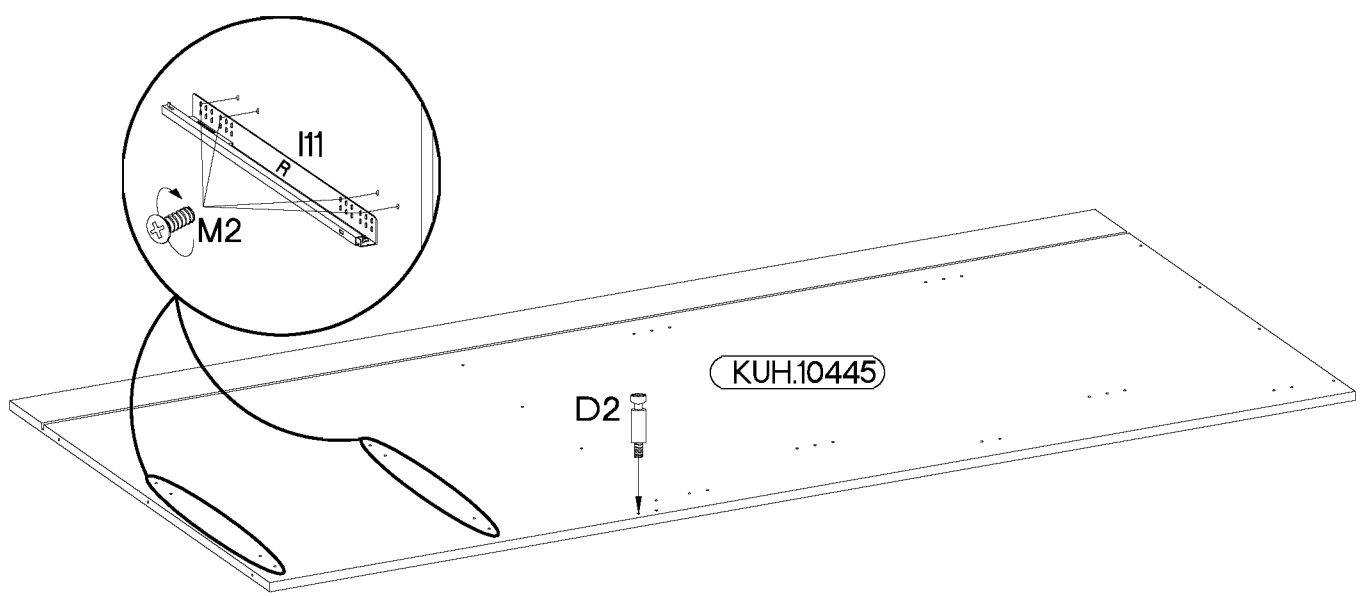
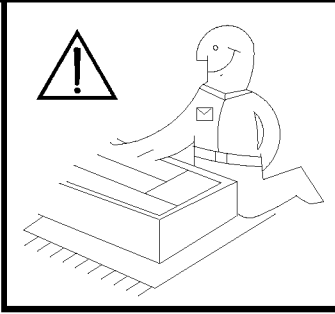
KUH.40005



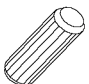
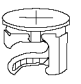
Colli	Spare Part	Dimension
Colli 1/2	KUH.40005 x2	267x485x16
	KUH.40149	299x560x16
	KUH.70992	1239x296x16
	KUH.90215 x2	515x150x16
	KUH.90216	299x150x16
	KUH.90284	267x60x16
Colli 2/2	KUH.10445	1945x560x16
	KUH.10446	1945x560x16
	KUH.30038 x2	266x430x16
	KUH.60272	1953x285x2,5
	KUH.60273 x2	448x237x2,5
	KUH.70993	683x296x16
	WST.0109 x2	450x140x12
	WST.0110 x2	450x140x12
WST.0114 x2	227x140x12	

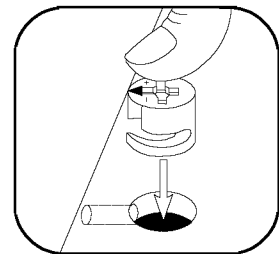
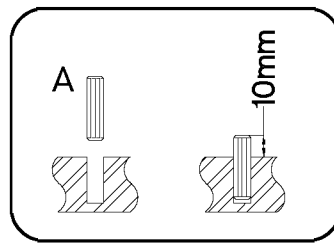
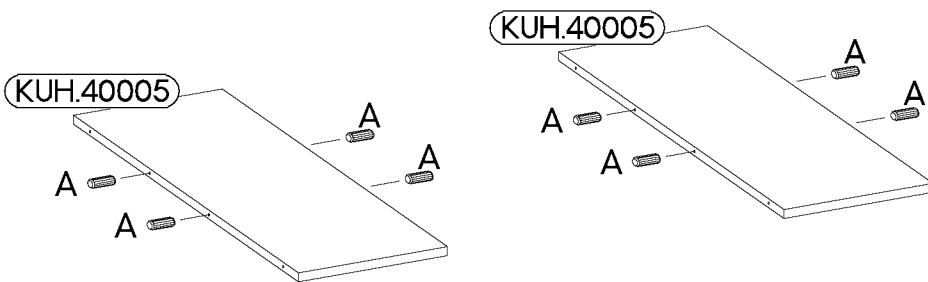
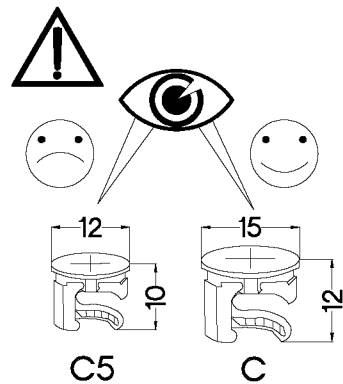
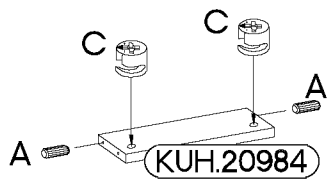
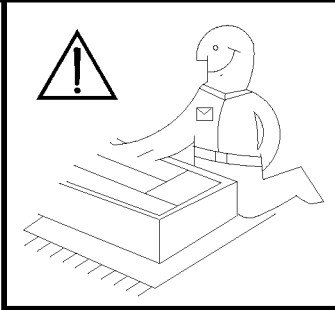
1

 L=450mm 2	 M2 16	 D2 2
--	--	---


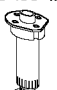


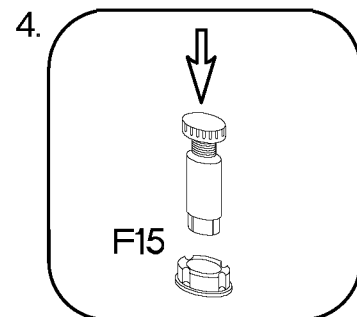
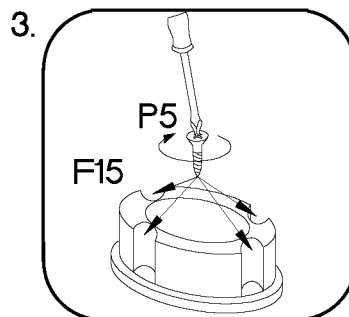
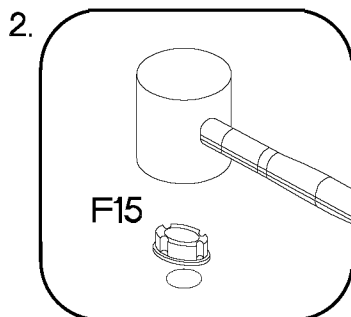
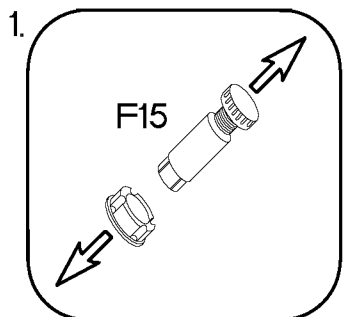
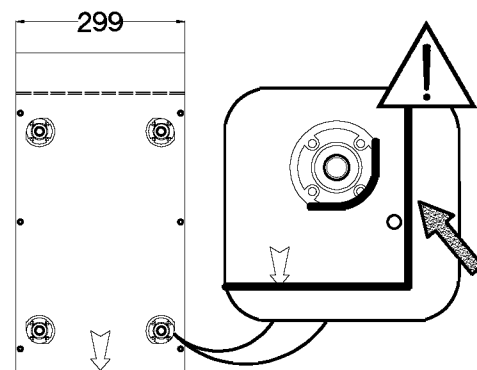
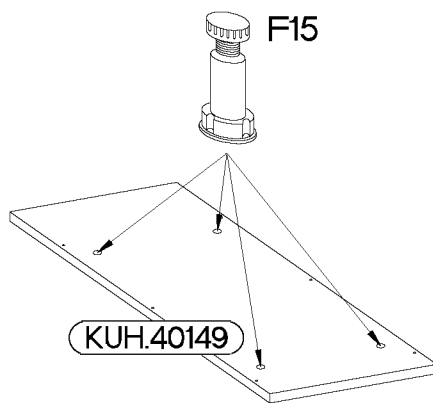
# 2

$\pm 8 \times 30 \text{mm}$	$\pm 15 / 12 \text{mm}$
	
A	C
10	2

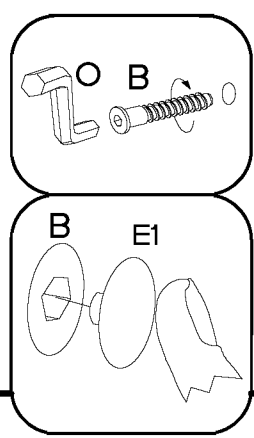
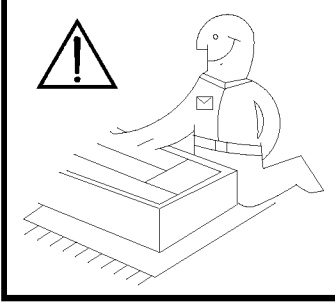
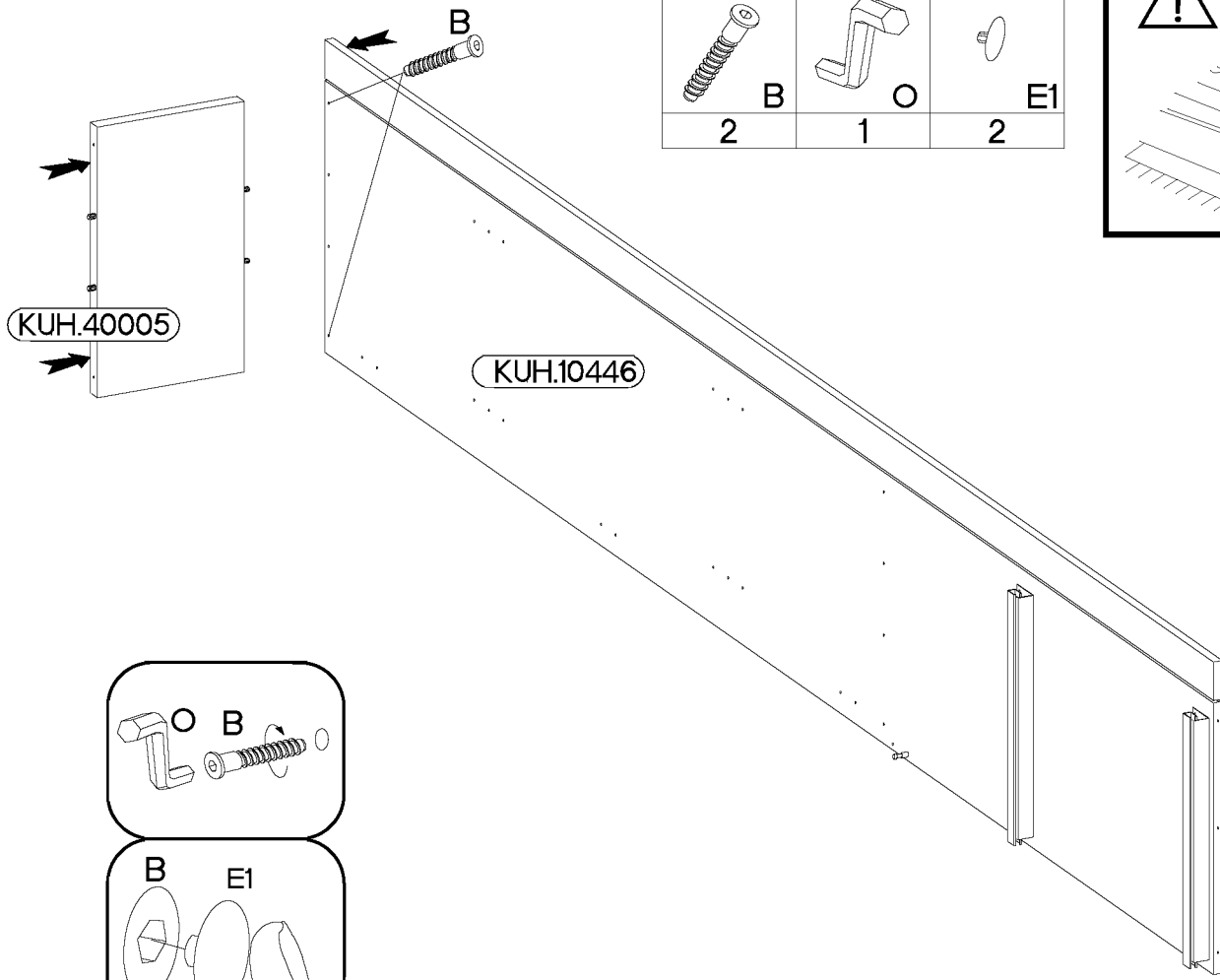


# 3

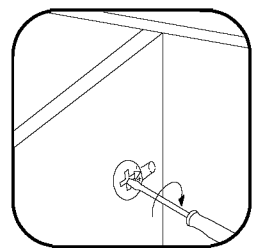
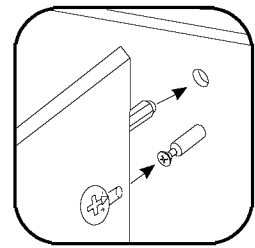
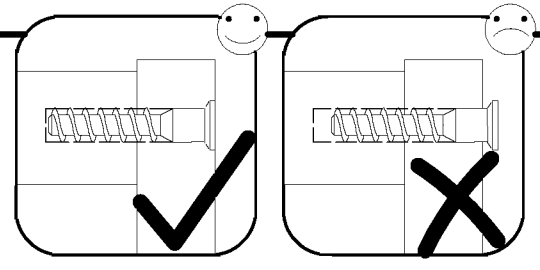
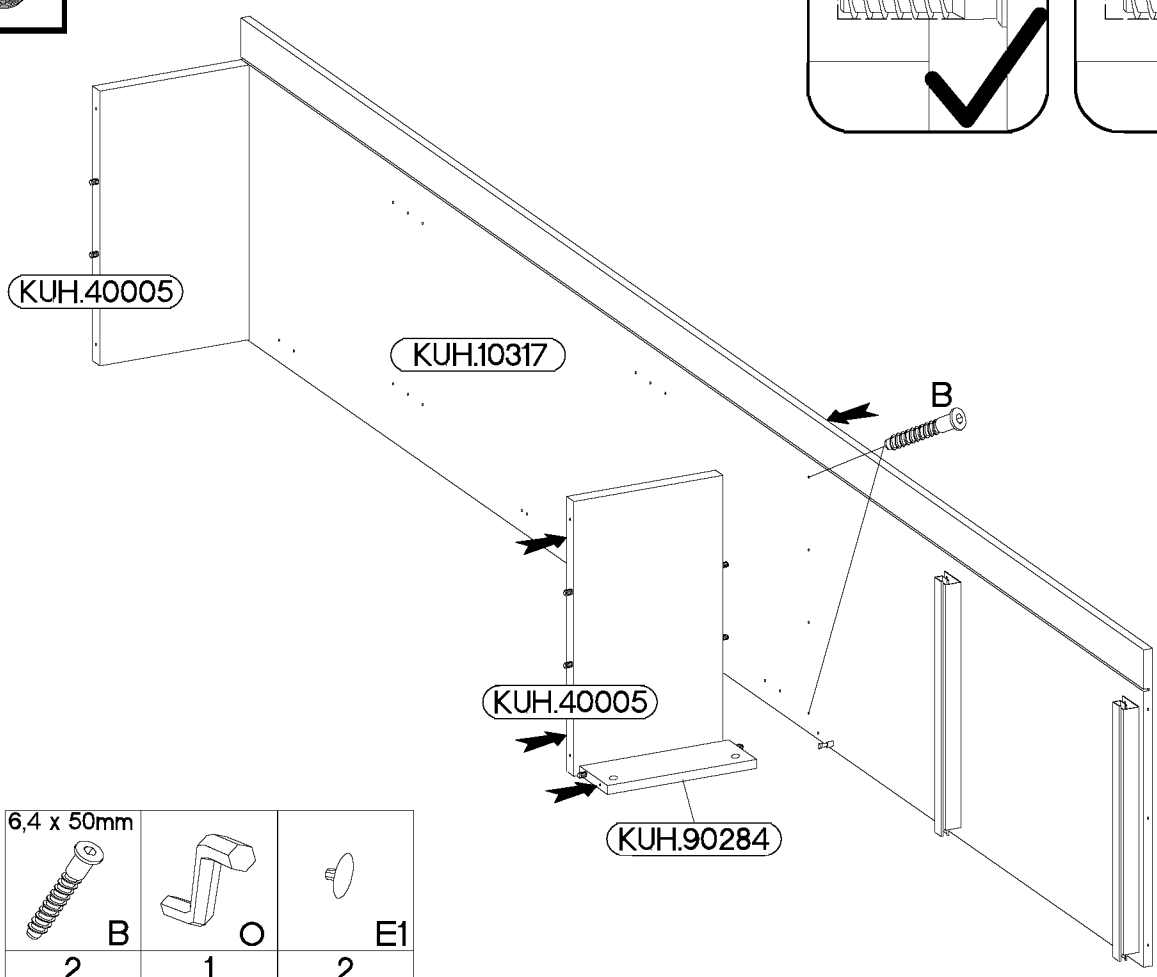
$\pm 3.5 \times 13 \text{mm}$	L=135-170cm
	
P5	F15
16	4




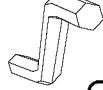

4

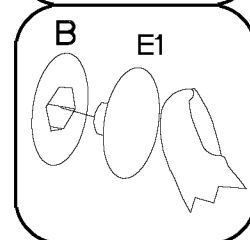
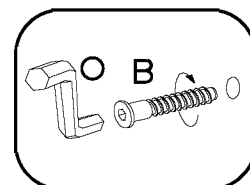
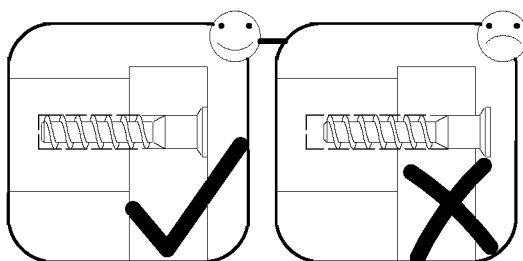
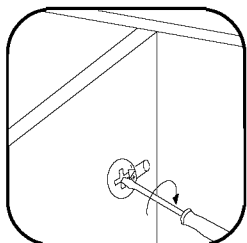
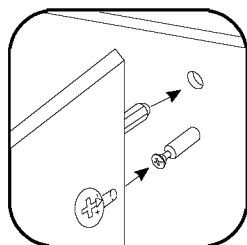
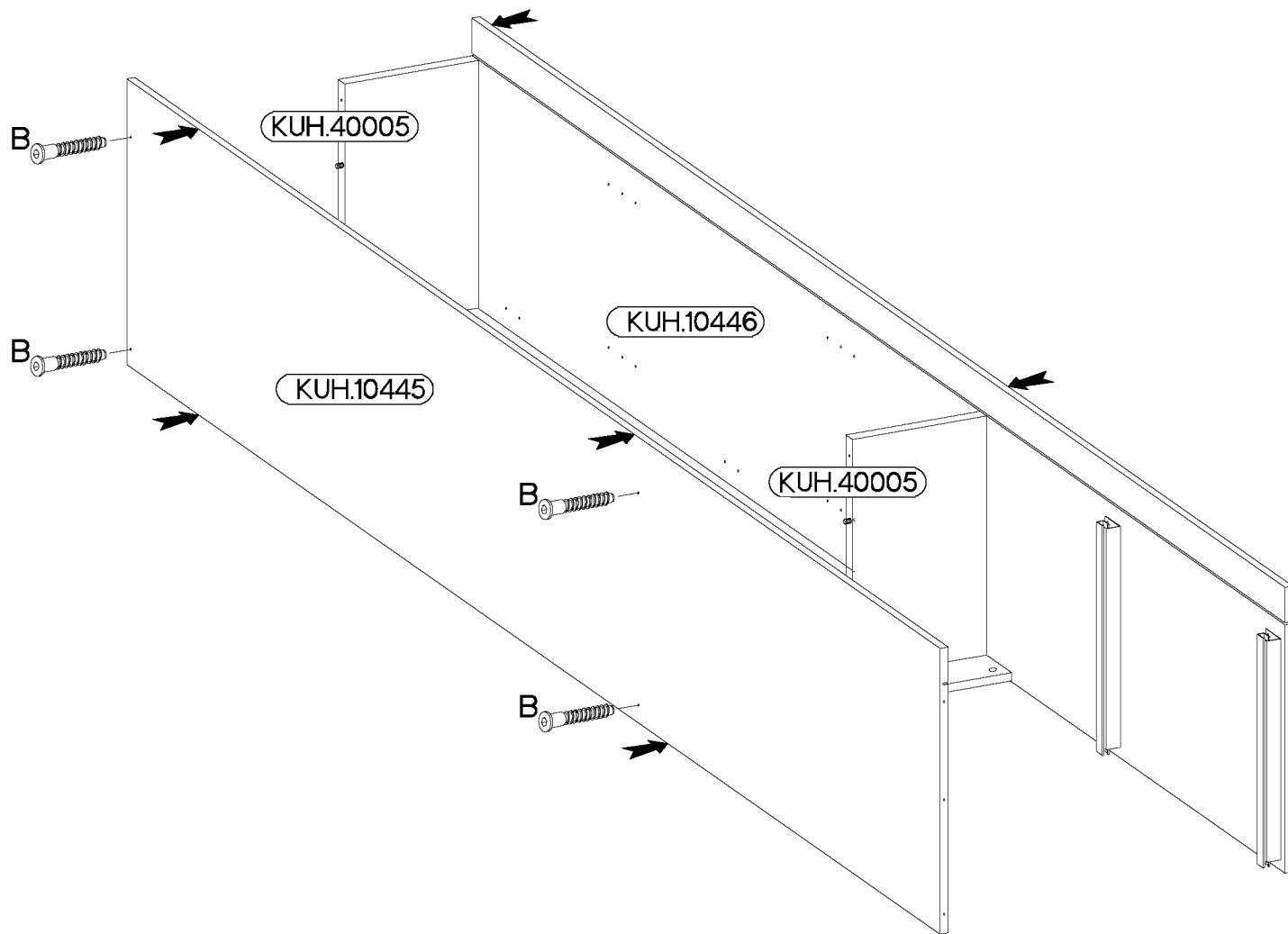
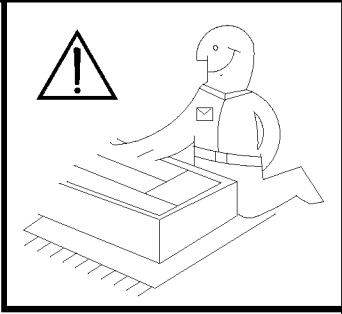


5



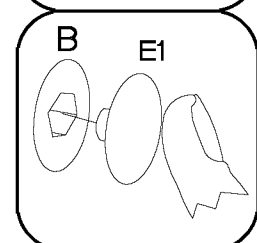
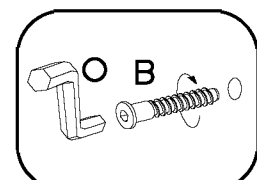
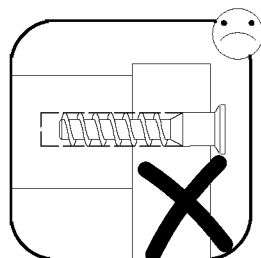
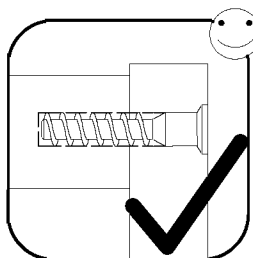
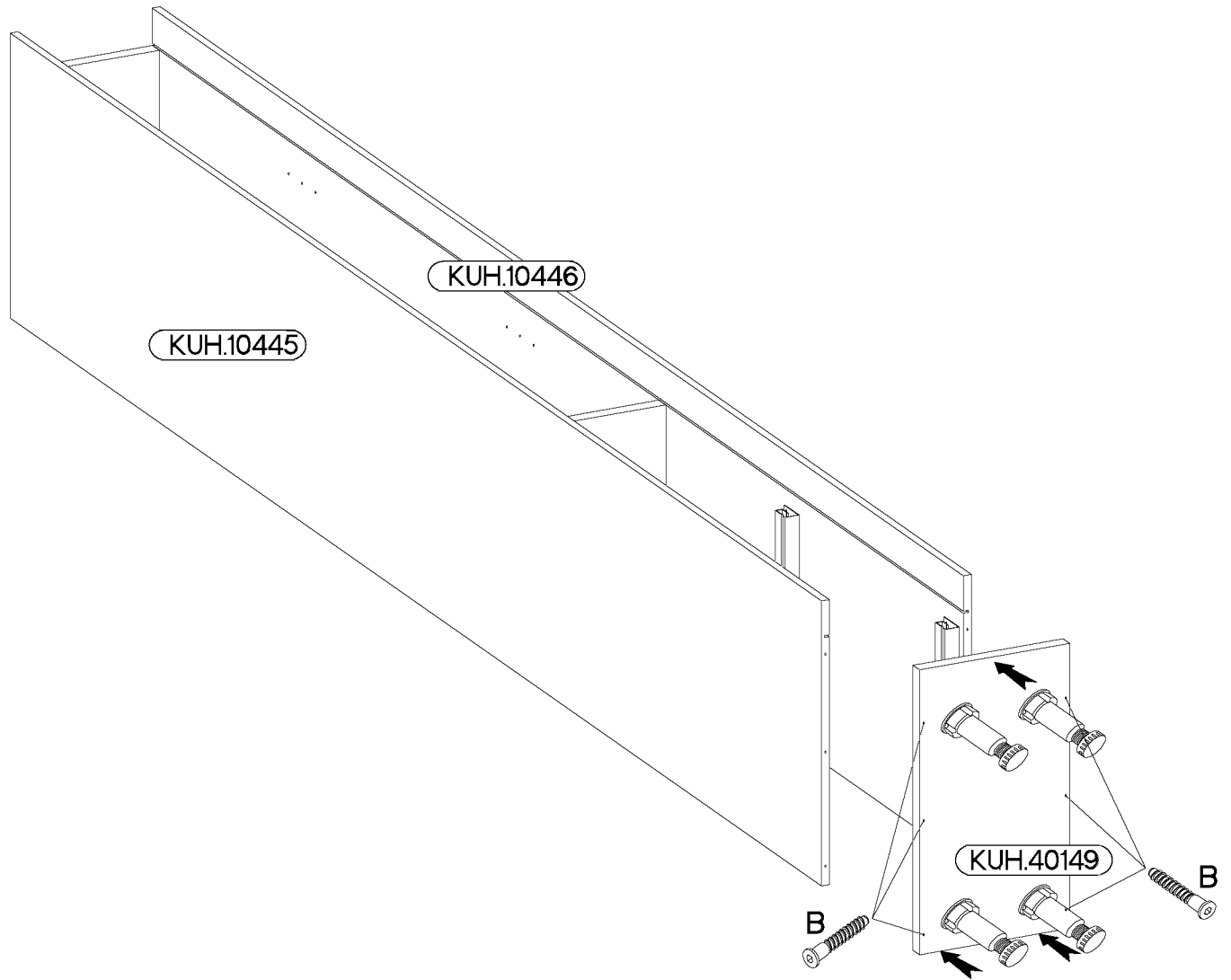
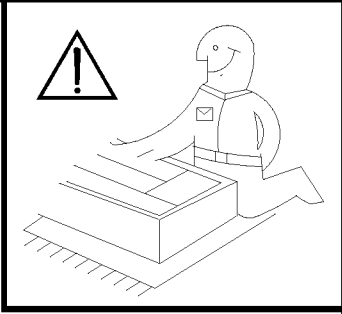
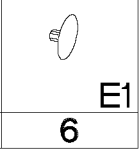
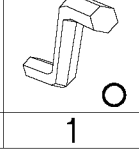
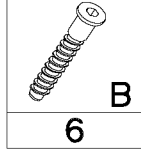
6,4 x 50mm

 B	 O	 E1
4	1	4

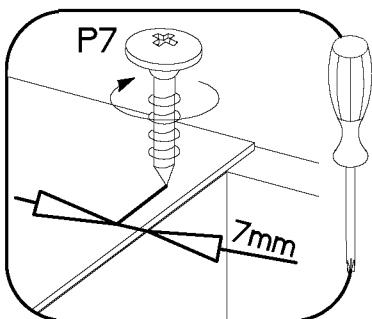
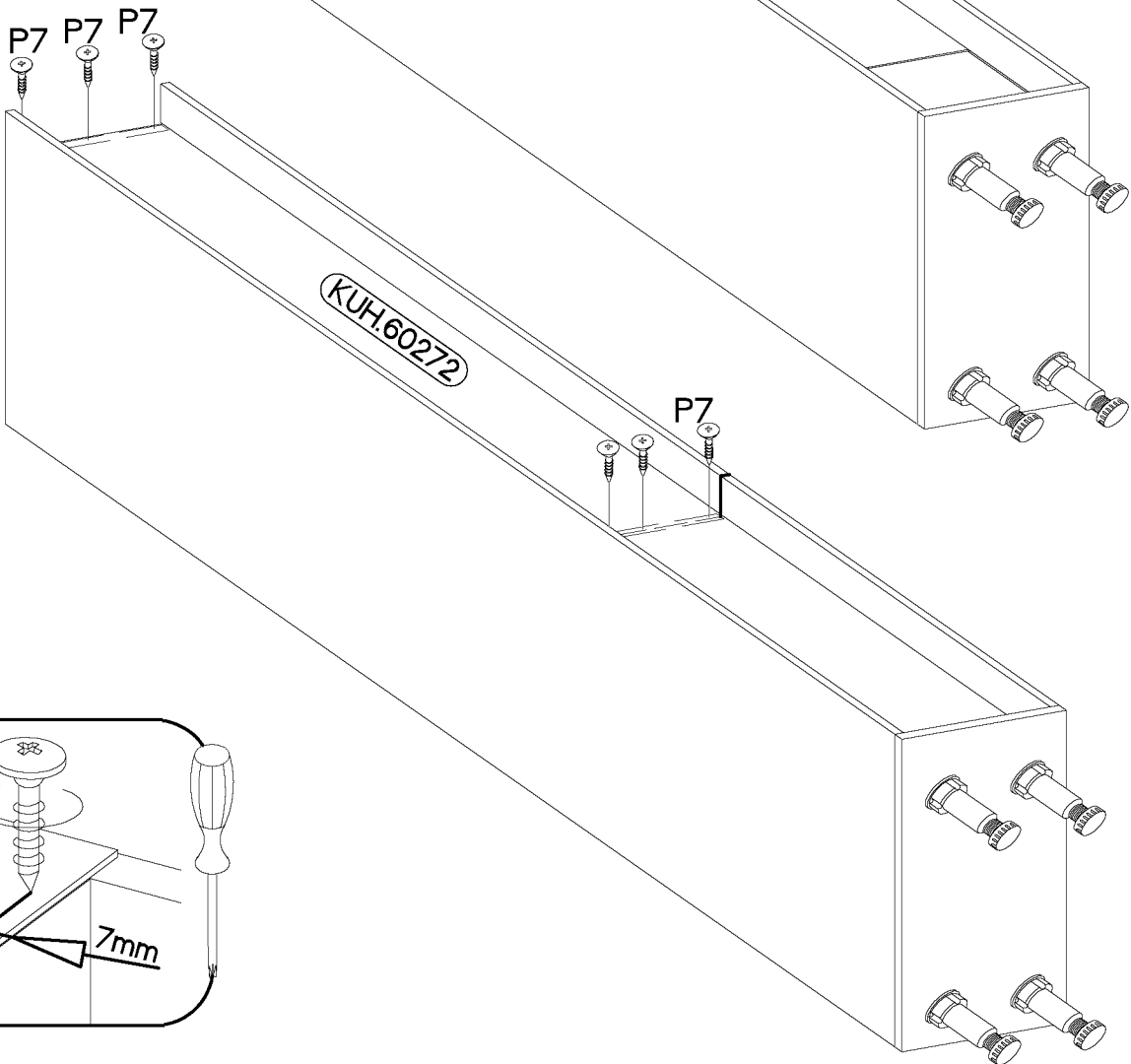
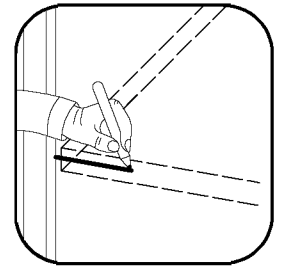
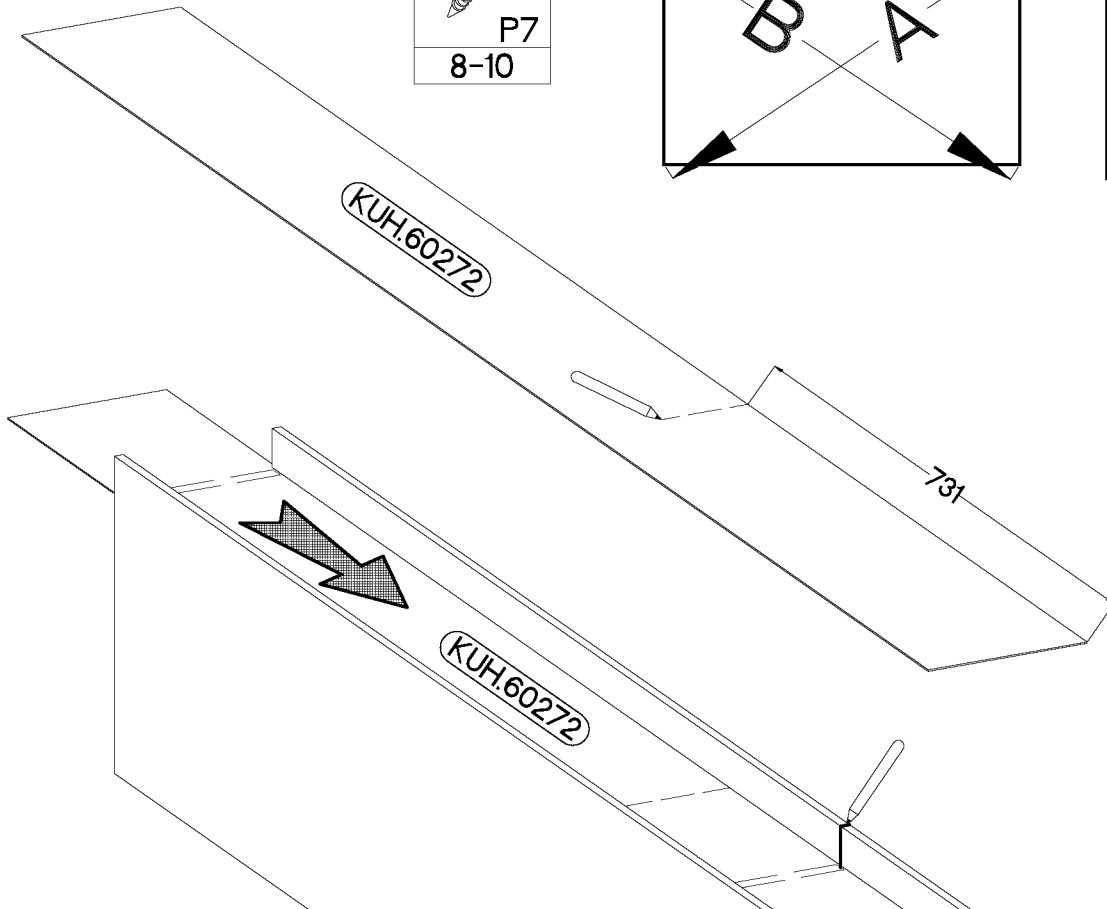
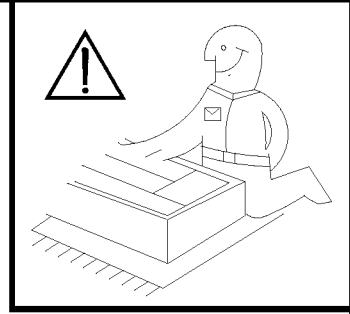
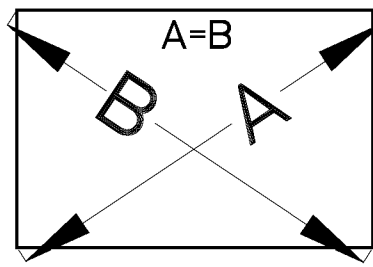



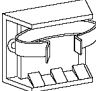
7

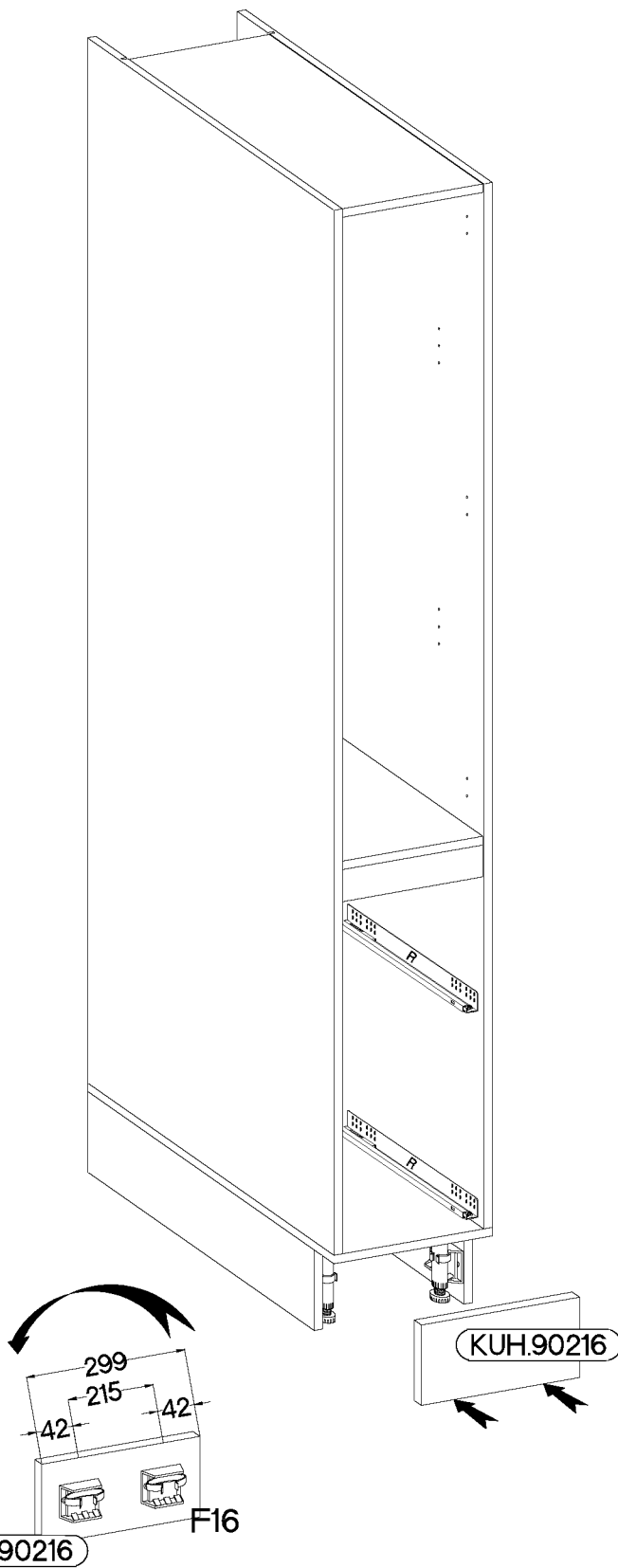
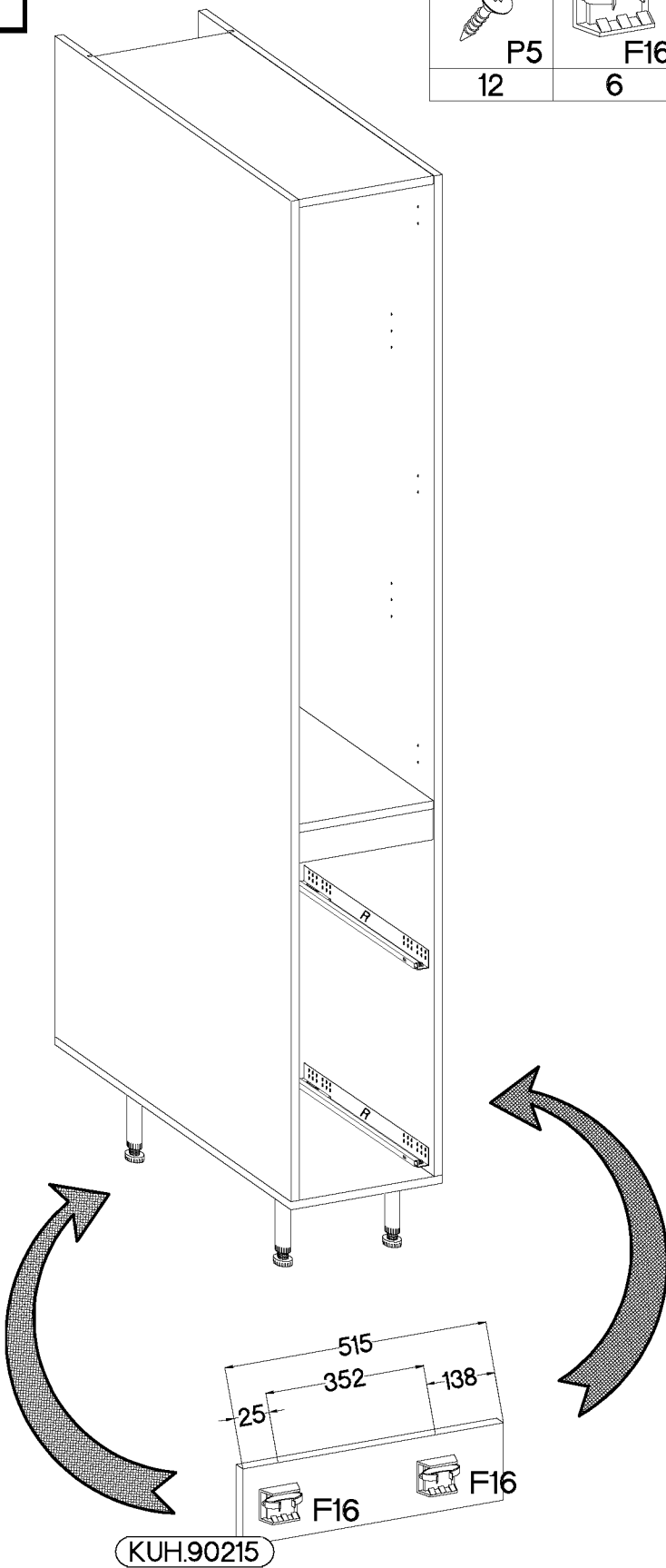
6,4 x 50mm

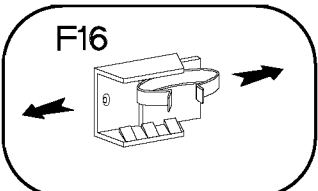
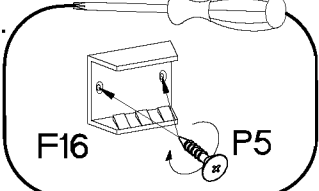
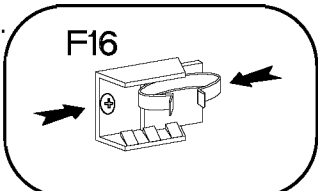
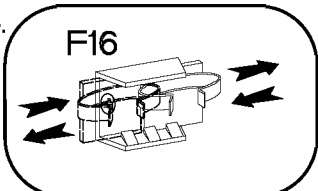


3.0x20mm  
P7  
8-10

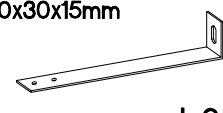



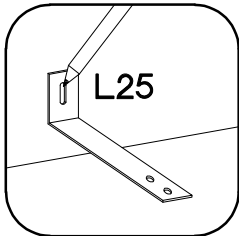
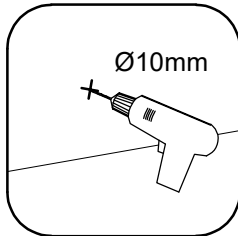
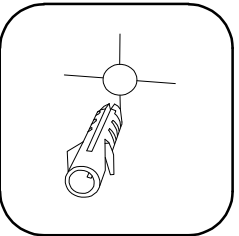
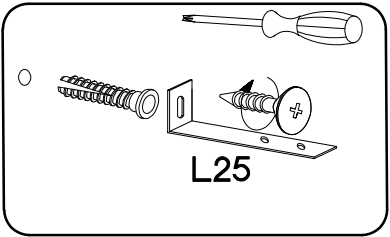
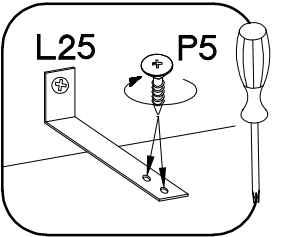
$\varnothing 3.5 \times 13 \text{mm}$ 		
P5		F16
12		6

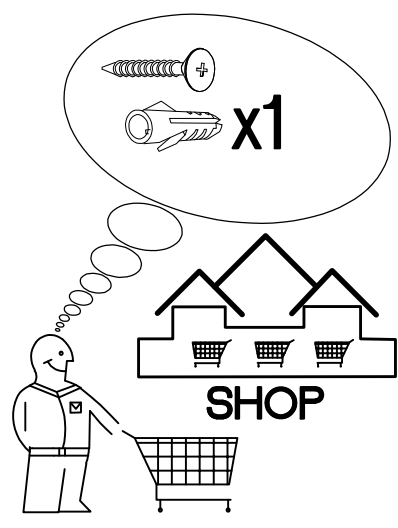
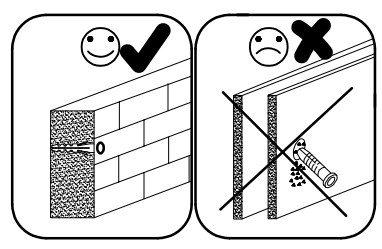
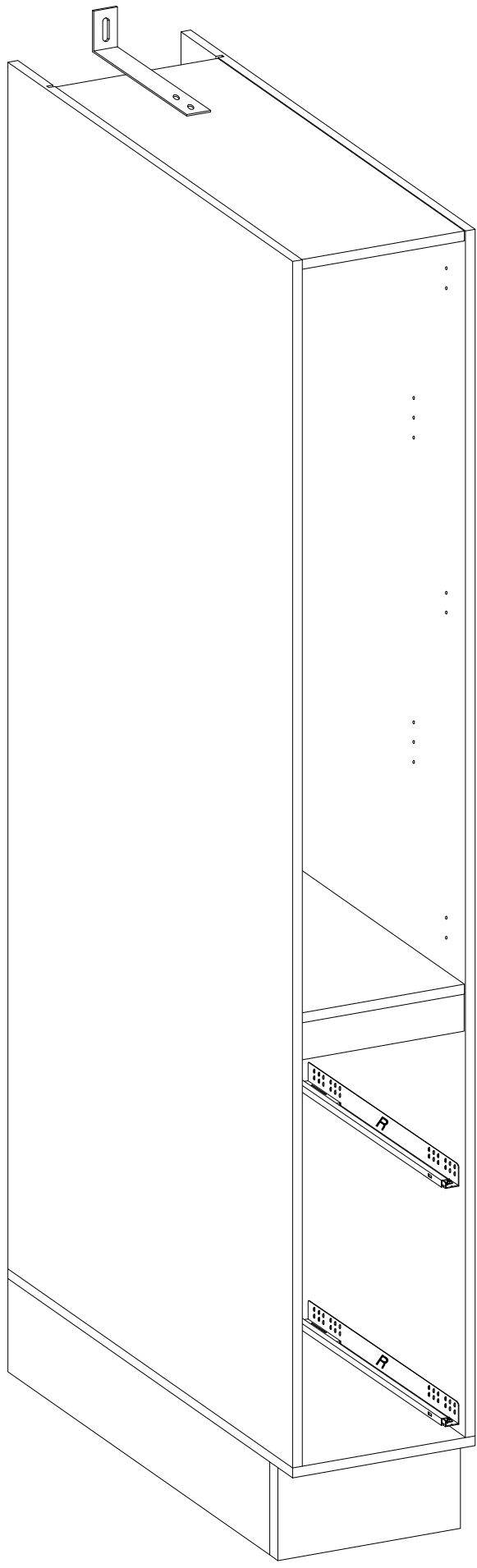


- 
- 
- 
- 


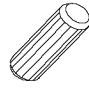


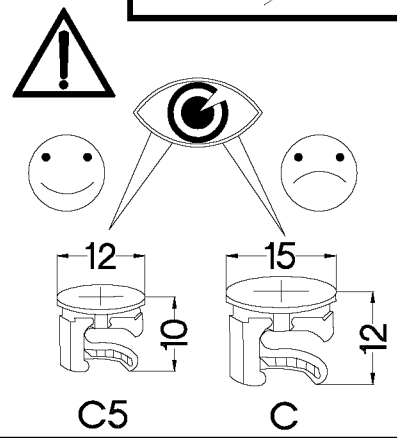
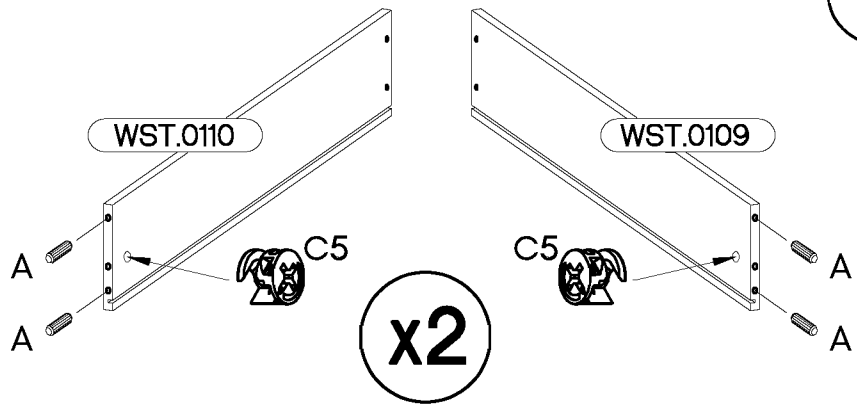
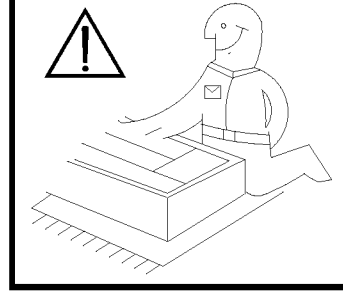
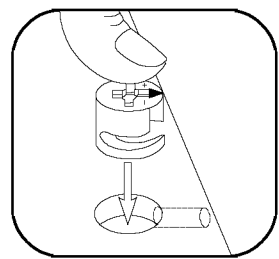
120x30x15mm	3.5x13mm
	
L25	P5
1	2

- 
- 
- 
- 
- 

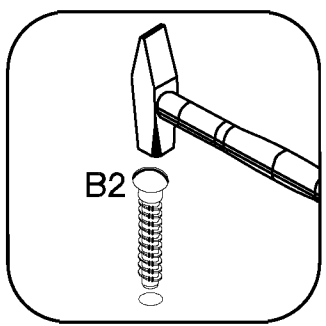



11

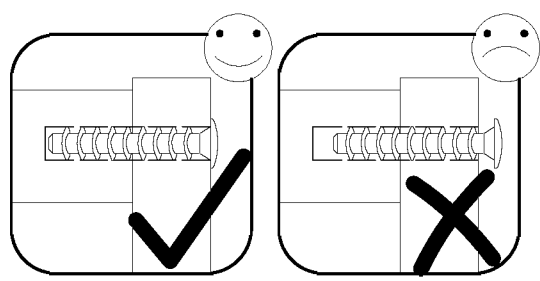
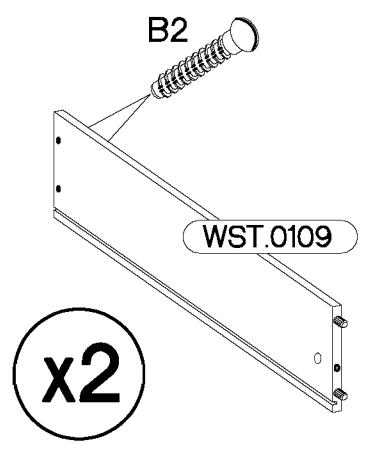
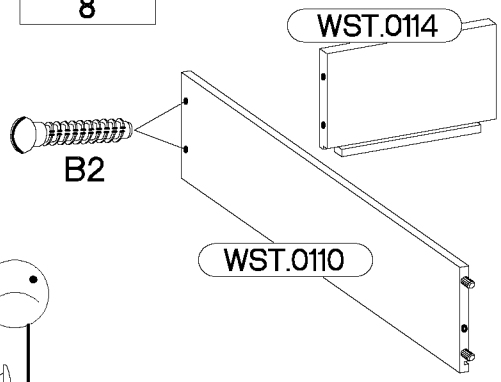
†12/10mm  <b>C5</b> 4	†8x30mm  <b>A</b> 8
--	--



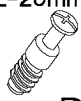
12

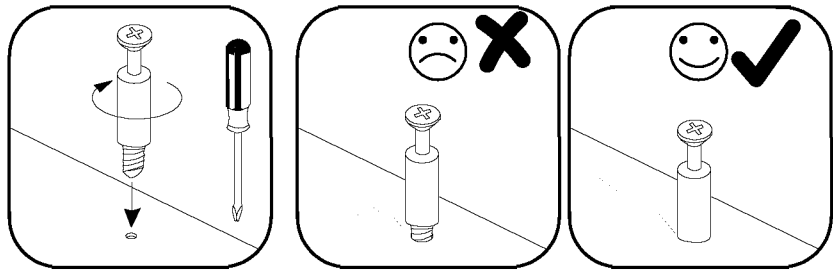
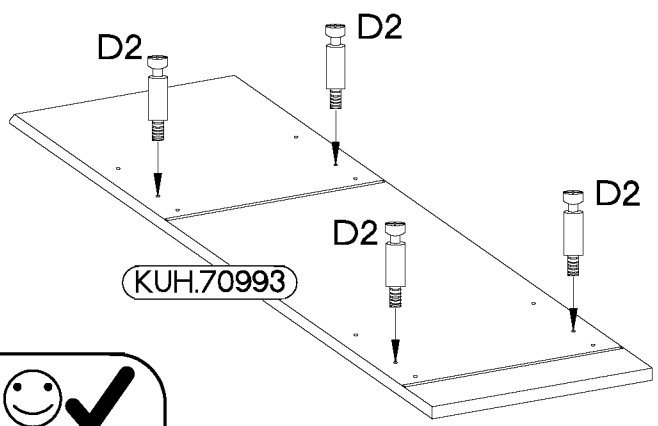


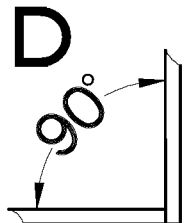
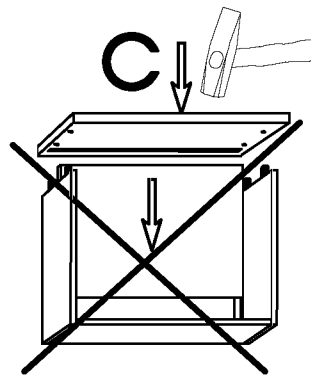
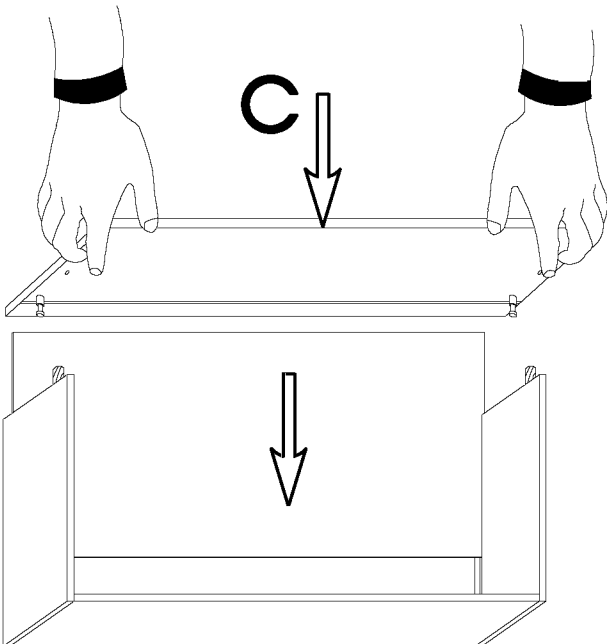
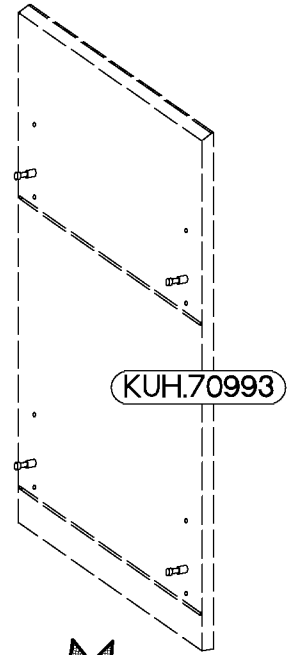
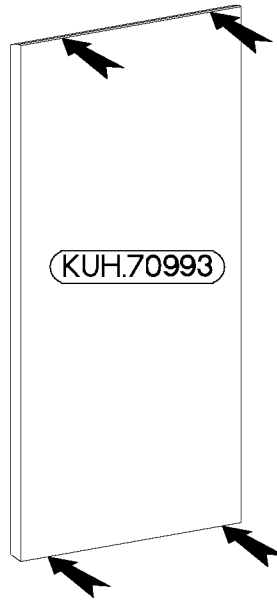
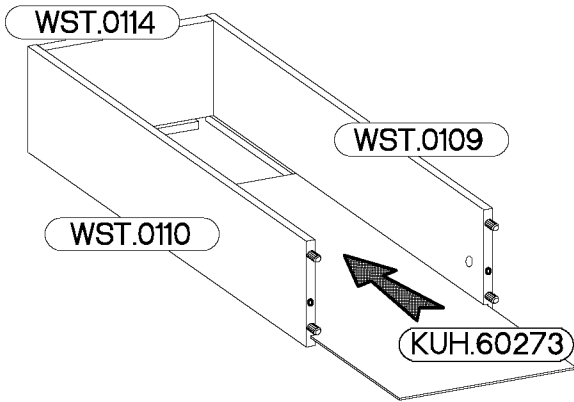
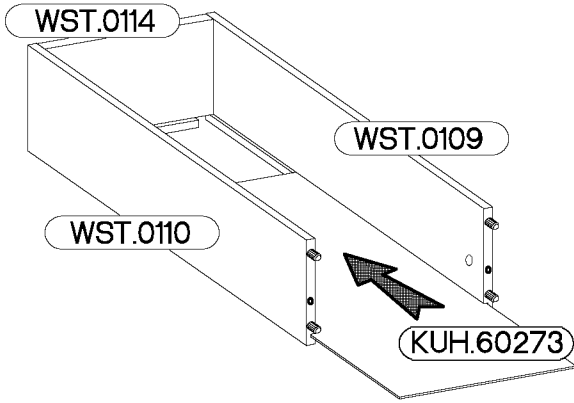
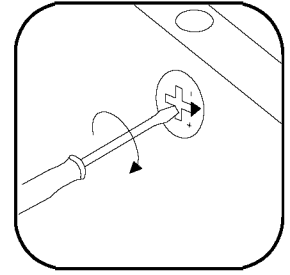
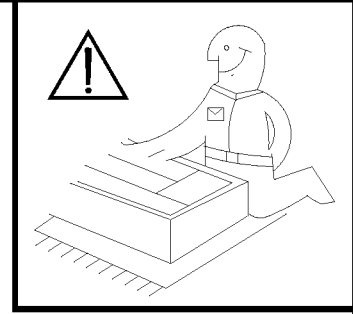
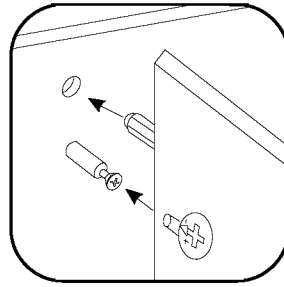
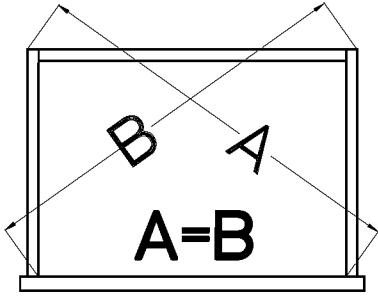
†6x42mm  <b>B2</b> 8
--




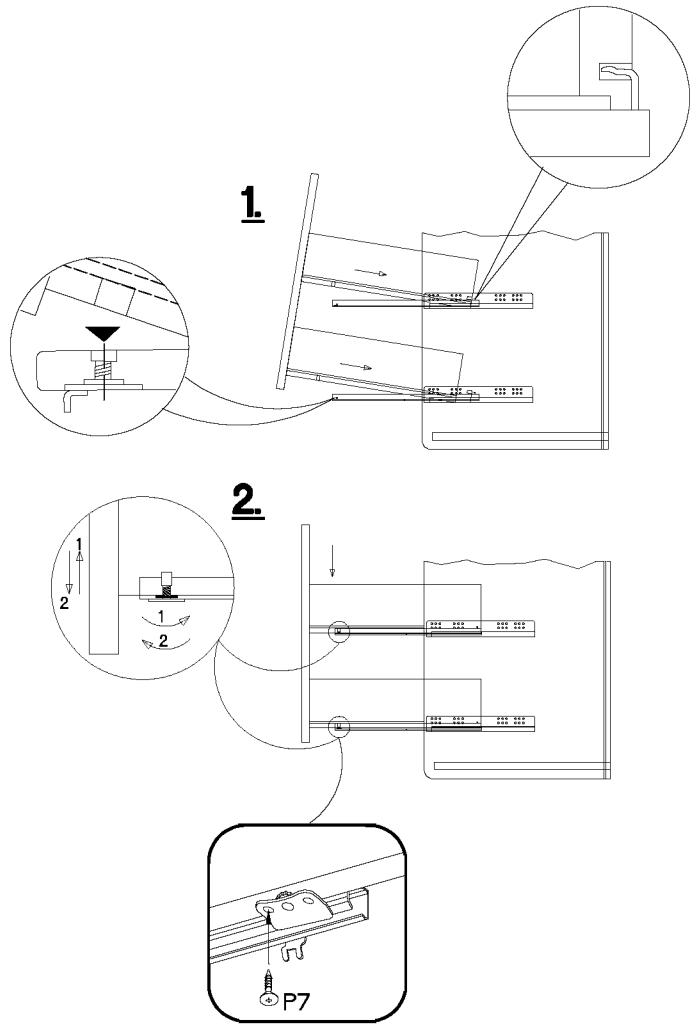
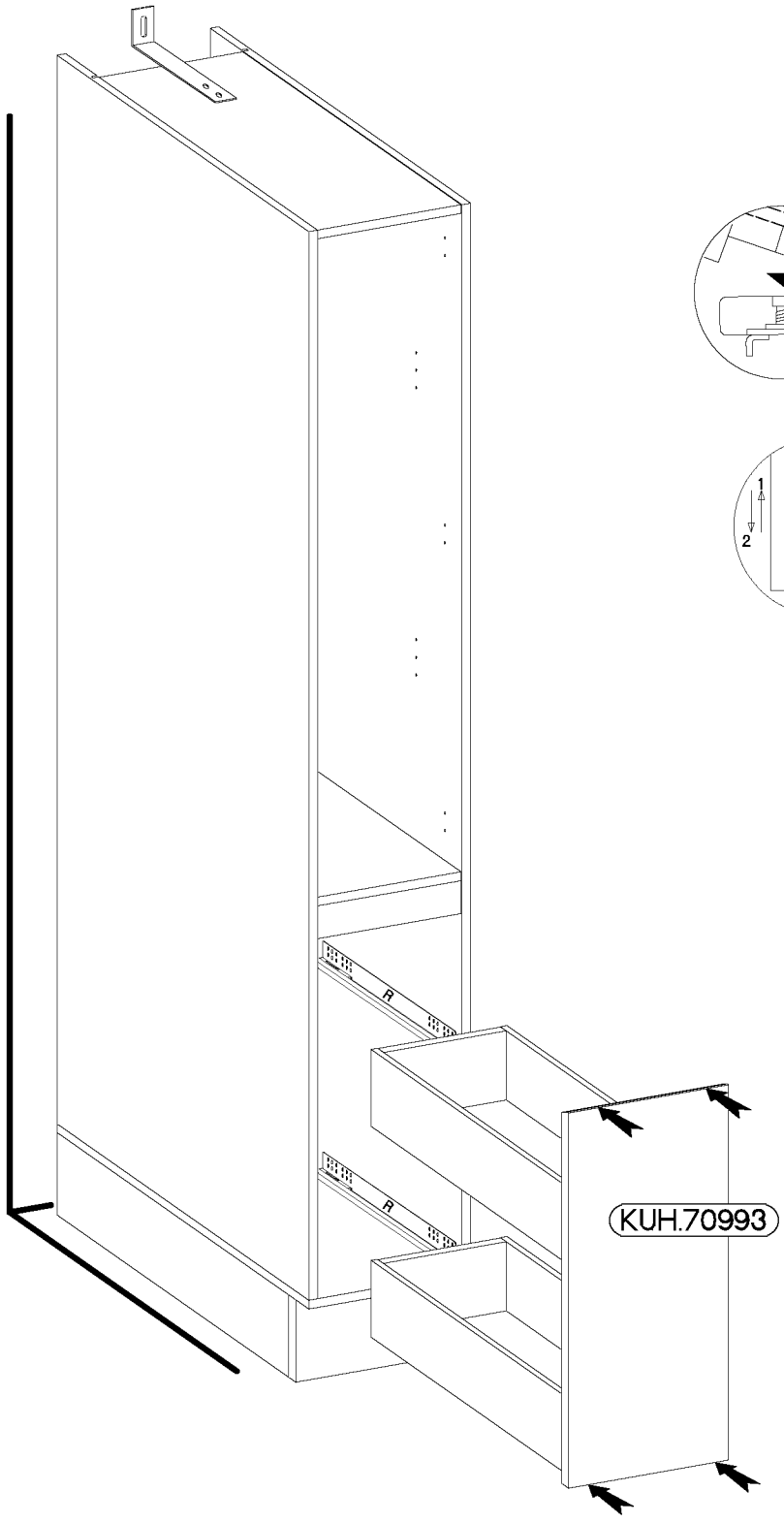
13

L=20mm  <b>D2</b> 4
---

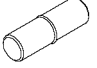


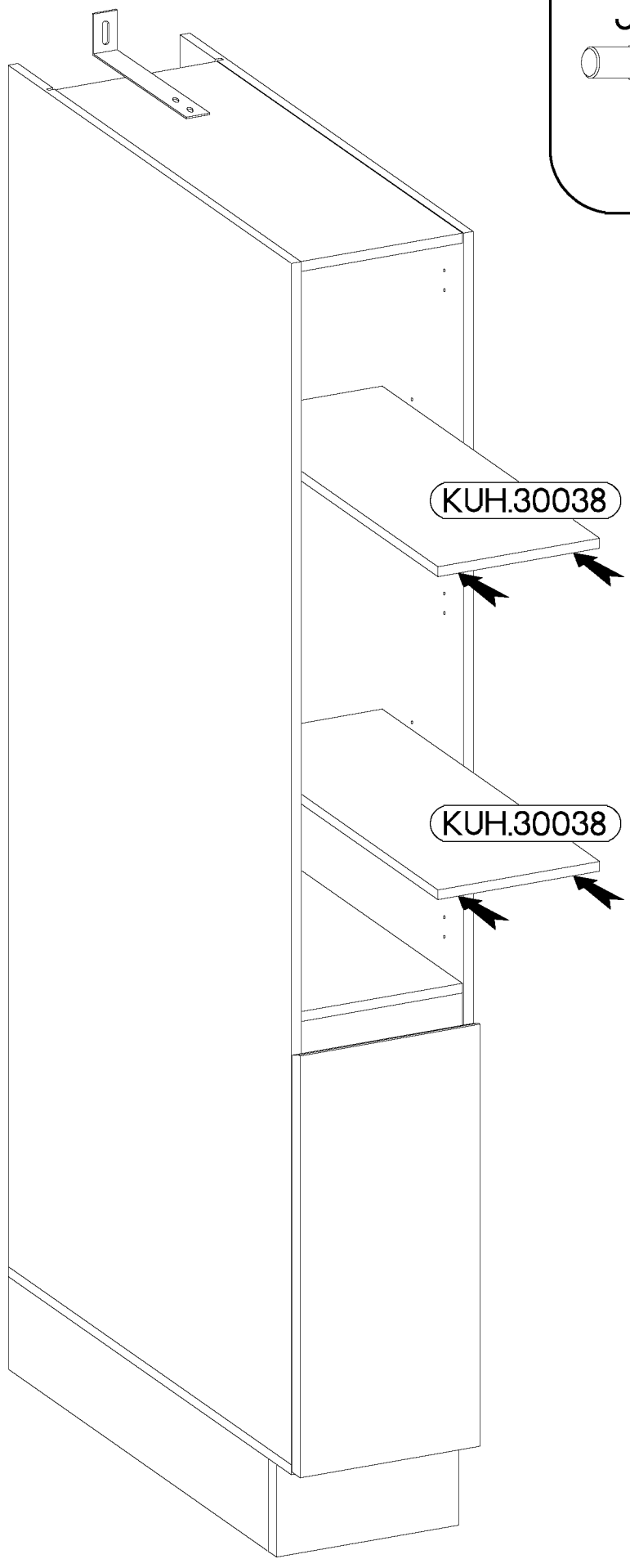
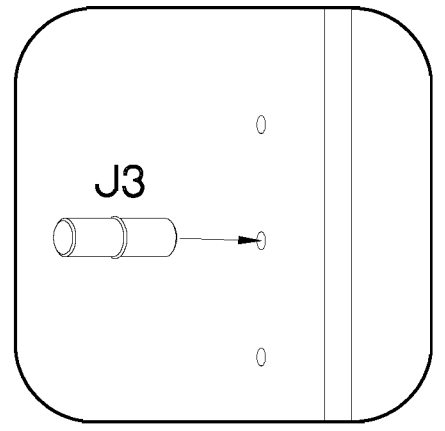




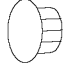
±3.0x20mm  
  
P7  
4



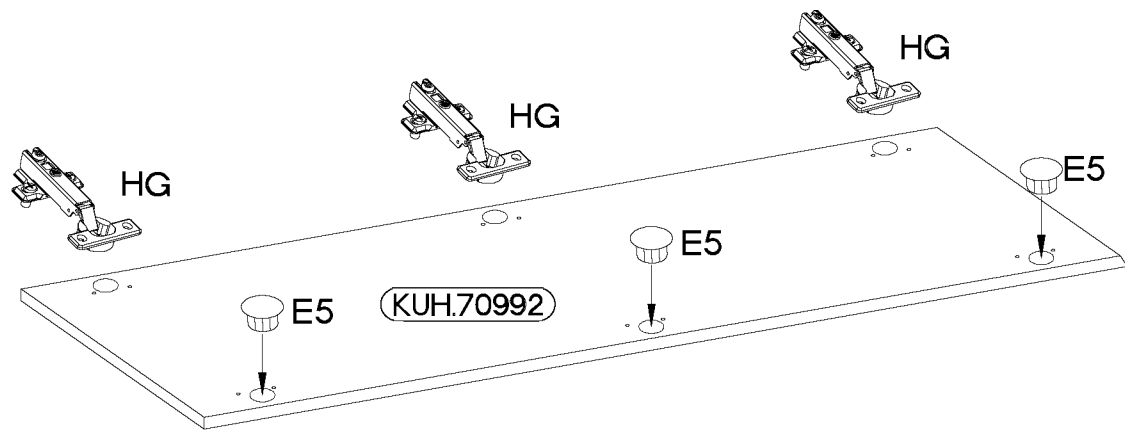
KUH.70993

±5/16mm  
  
J3  
8

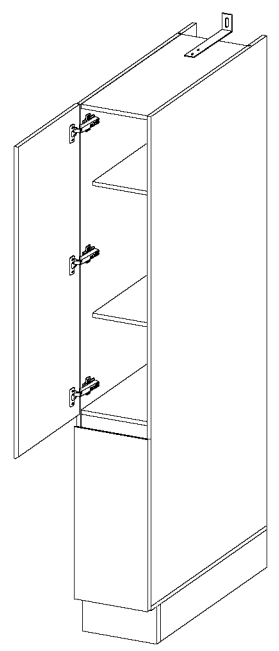
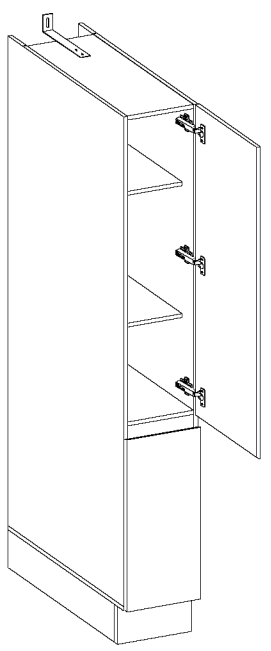
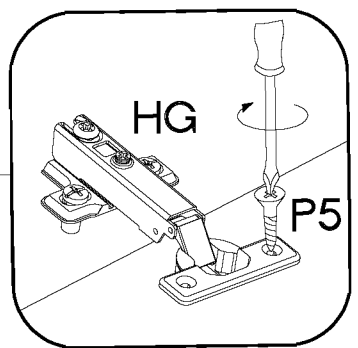
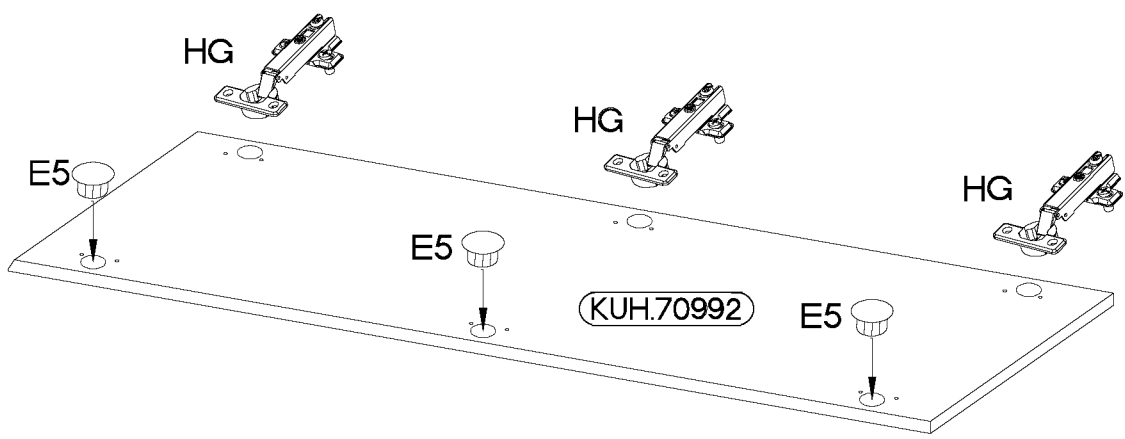


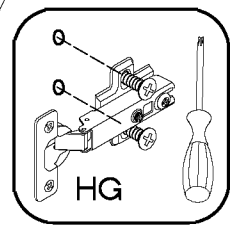
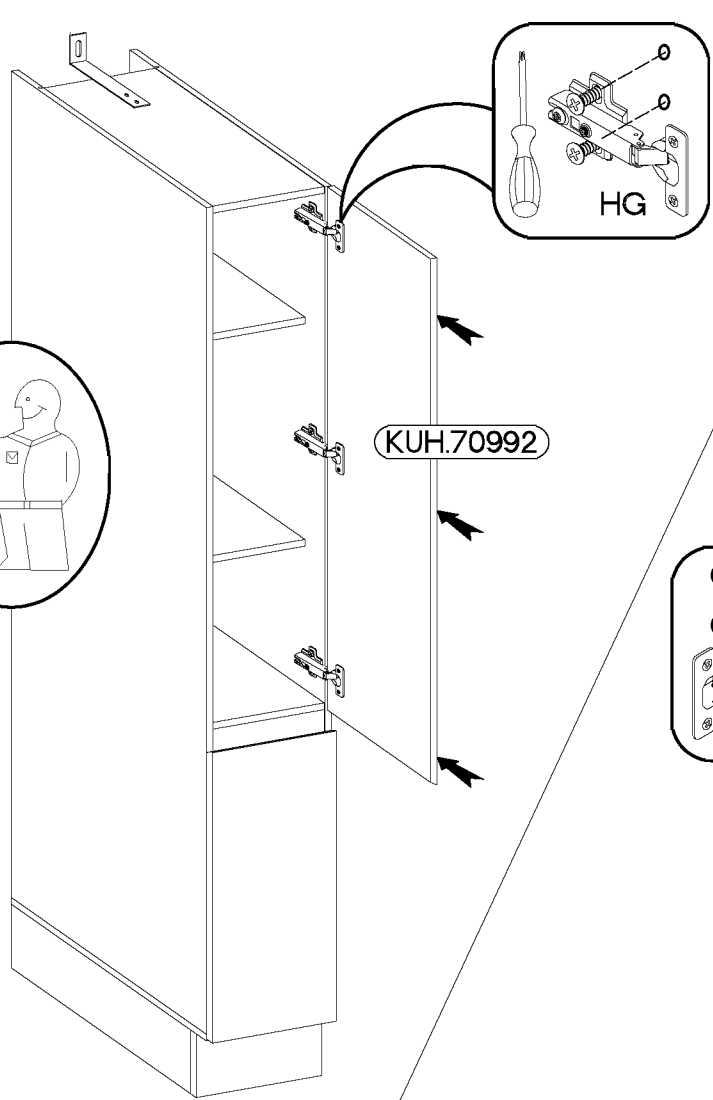
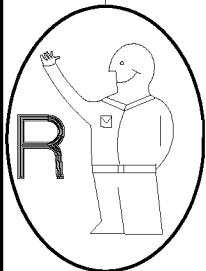
±35/0mm  HG 3	±3.5x13mm  P5 6	±35mm  E5 3
--	--	--

# RIGHT

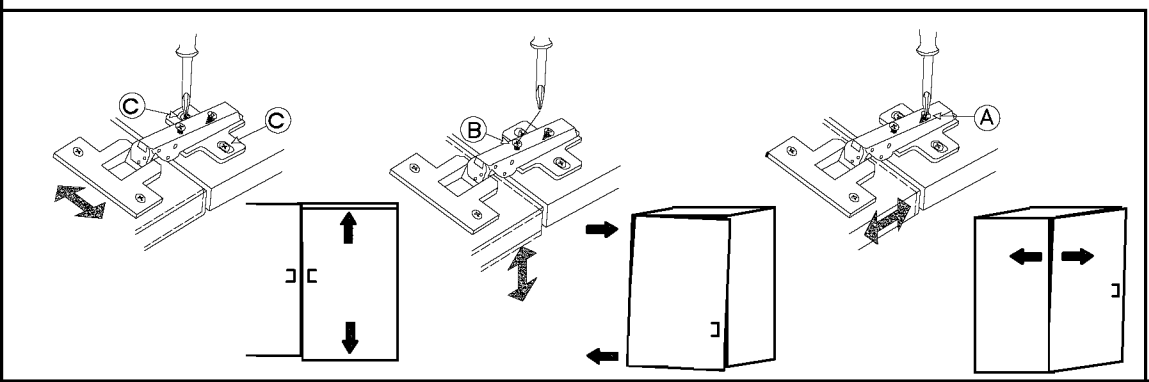
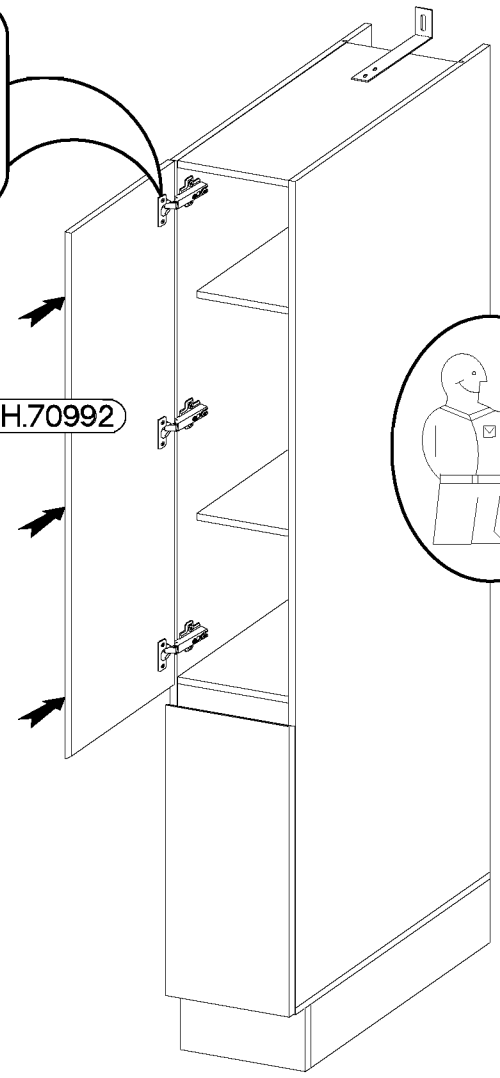
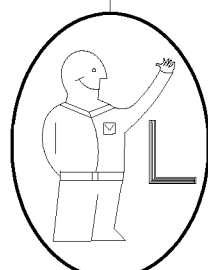


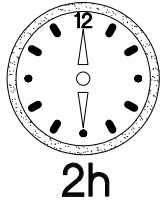
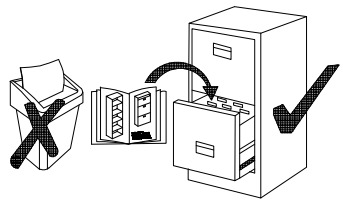
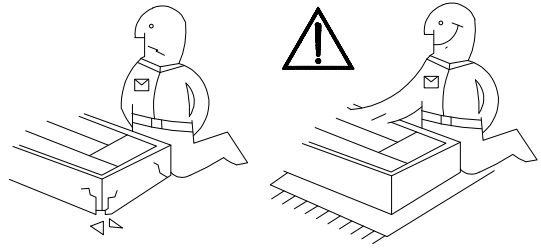
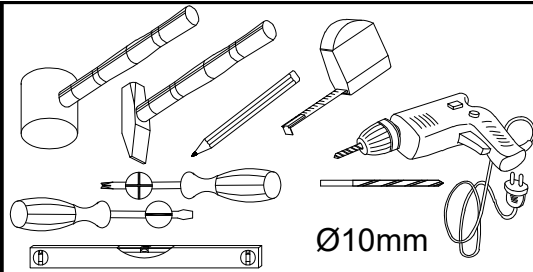
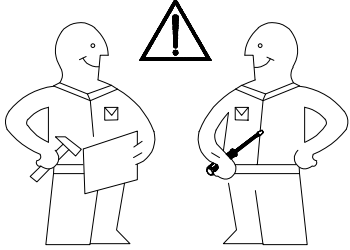
# LEFT



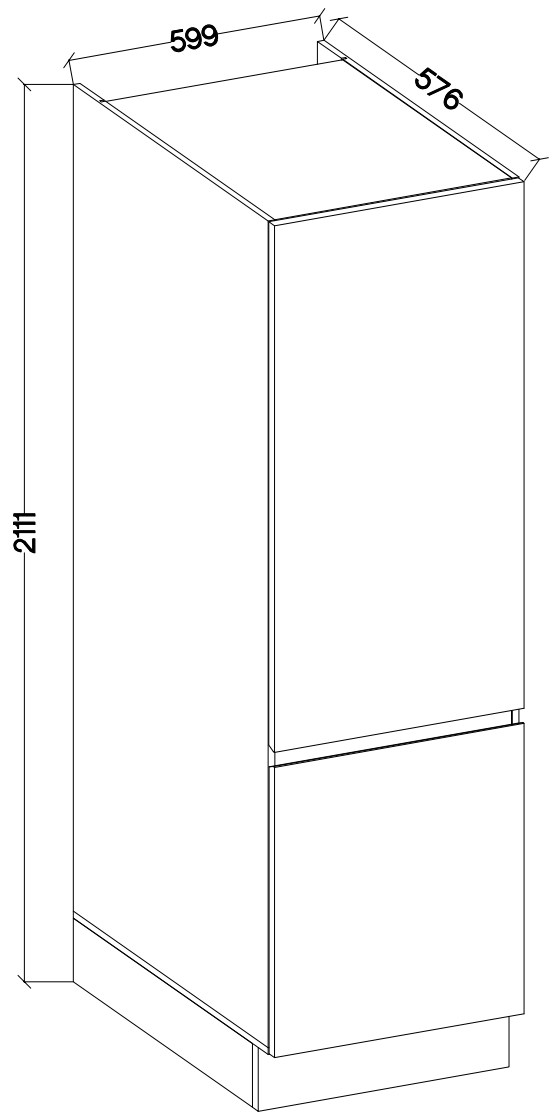
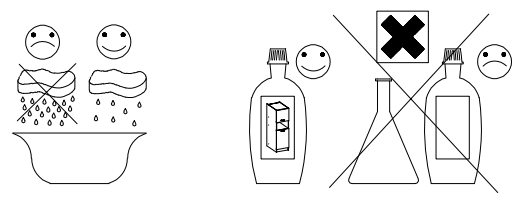


KUH.70992





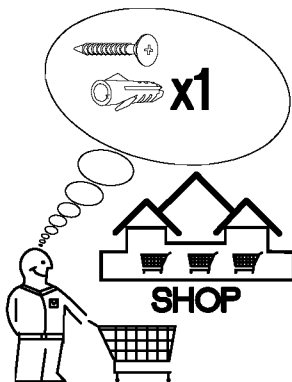
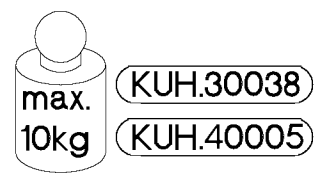
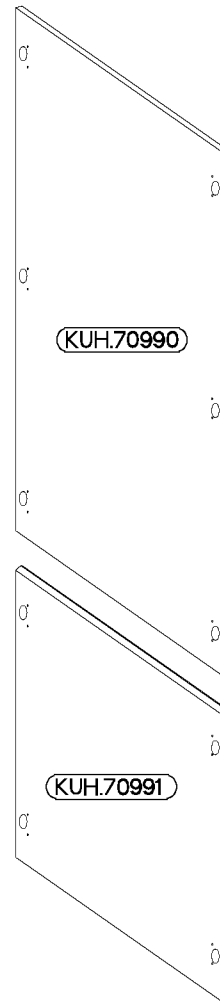
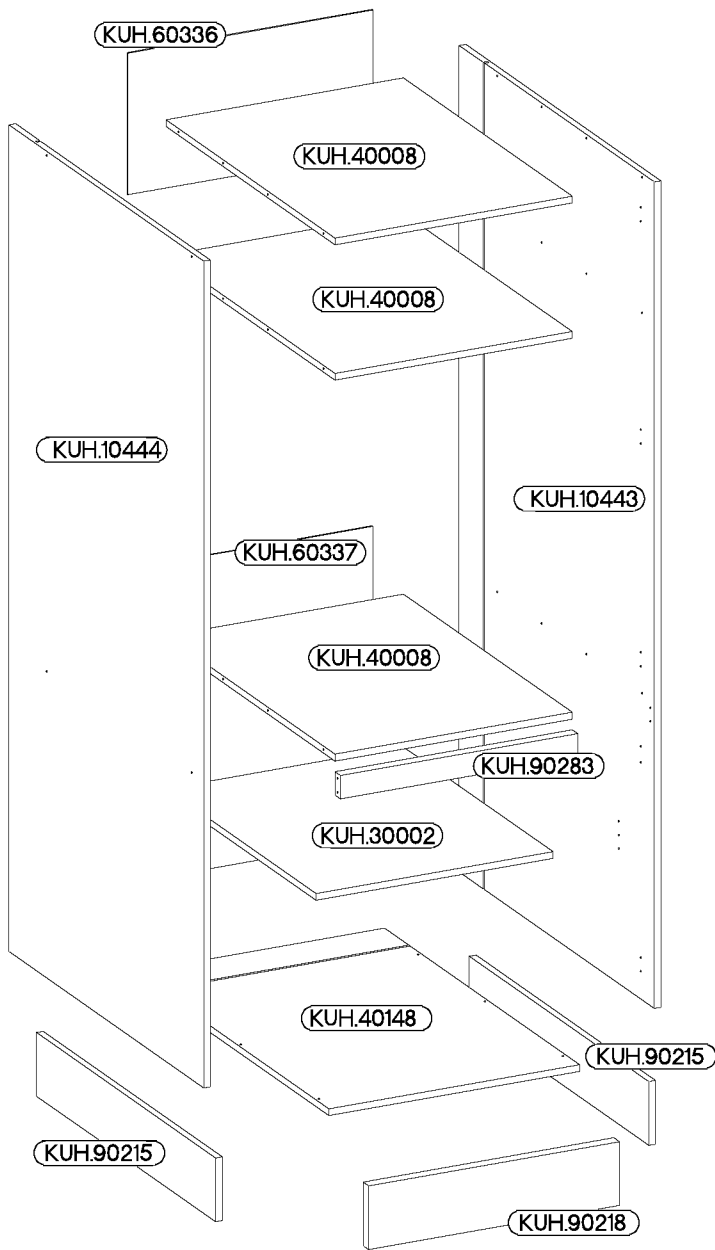
73-200-...  
ADANA  
KS - Umbau



 A 14	 B 18	 C 2	 D2 2	 E1 18	 E5 5	 F15 4	 F16 6	 HG 5
 J3 4	 L25 1		 O 1	 P5 40	 P7 15-20	 R 4		

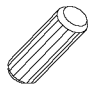
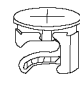
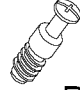
ISM-KUH-01728

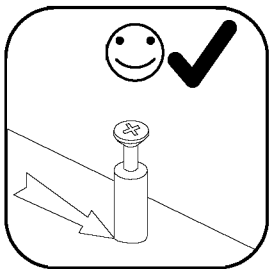
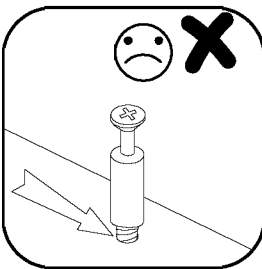
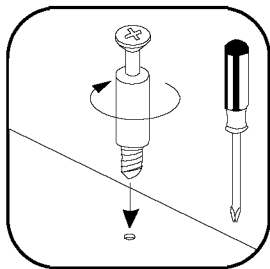
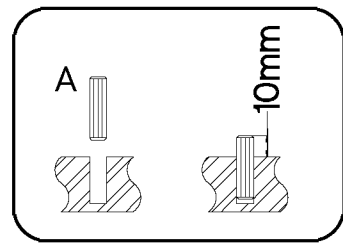
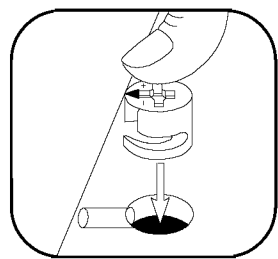
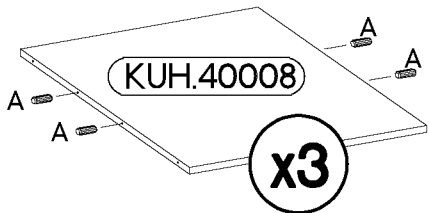
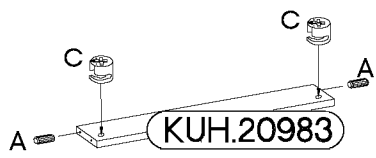
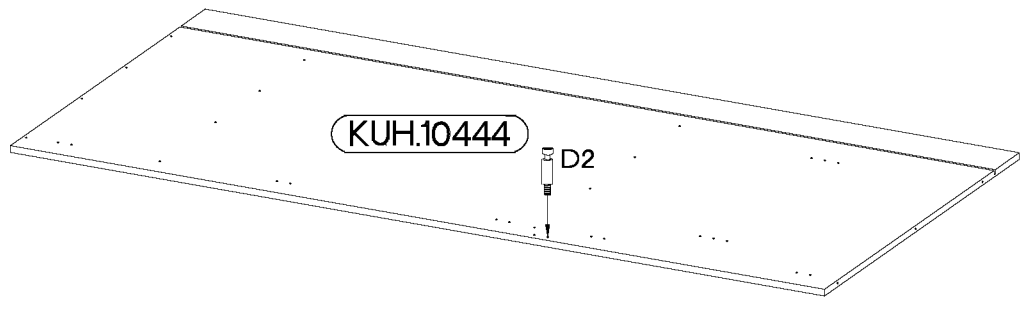
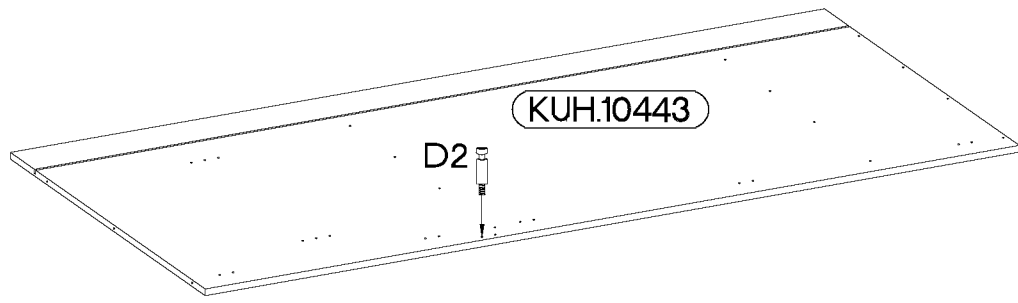
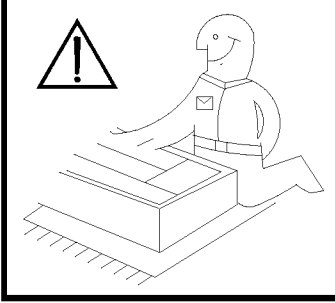





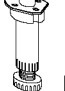
Colli	Spare Part	Dimension
Colli 1/2	KUH.30002	566x430x16
	KUH.40148	599x560x16
	KUH.60336	333x585x2,5
	KUH.60337	738x585x2,5
	KUH.70900	1239x596x16
	KUH.70991	683x596x16
	KUH.90215 x2	515x150x16
	KUH.90218	599x150x16
Colli 2/2	KUH.90283	567x60x16
	KUH.10443	1945x560x16
	KUH.10444	1945x560x16
	KUH.40008 x3	567x485x16

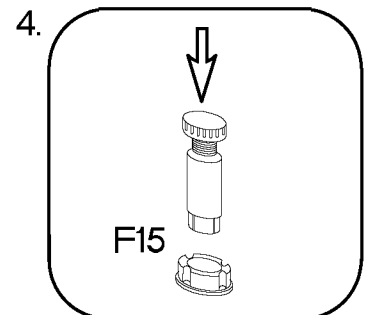
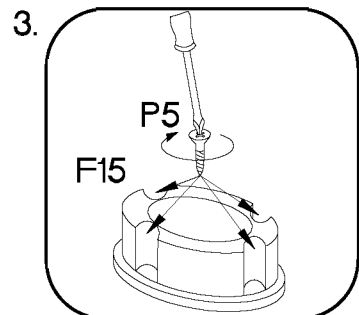
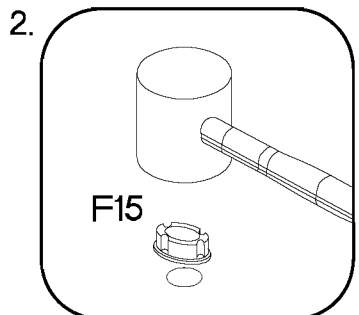
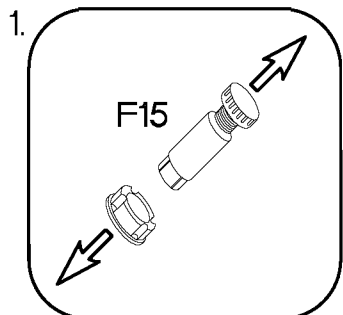
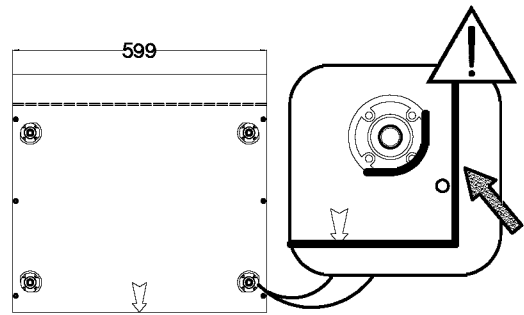
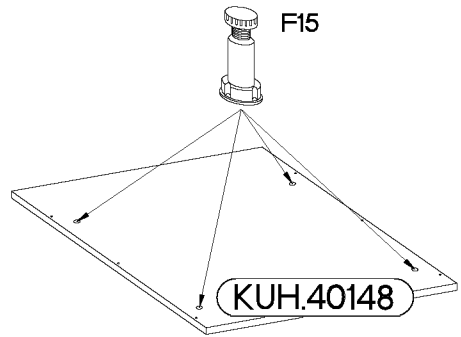
1

$\varnothing 8 \times 30 \text{mm}$  A 14	$\varnothing 15 / 12 \text{mm}$  C 2	L=20mm  D2 2
--	---	---




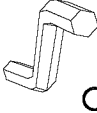

2

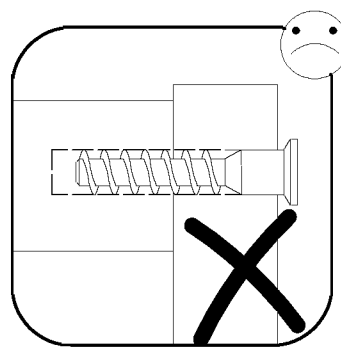
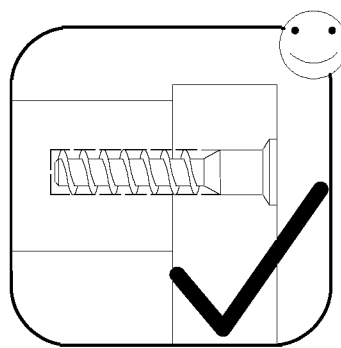
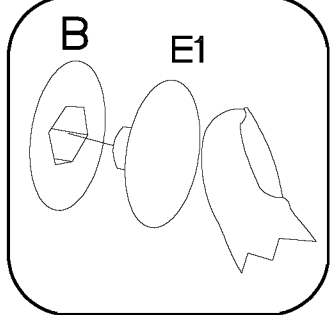
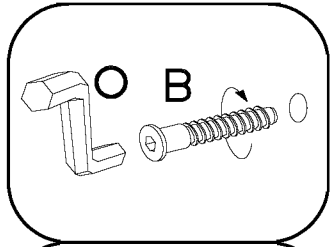
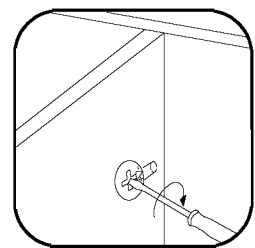
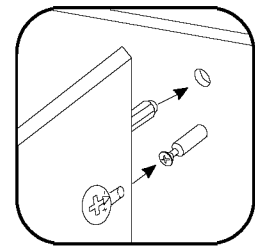
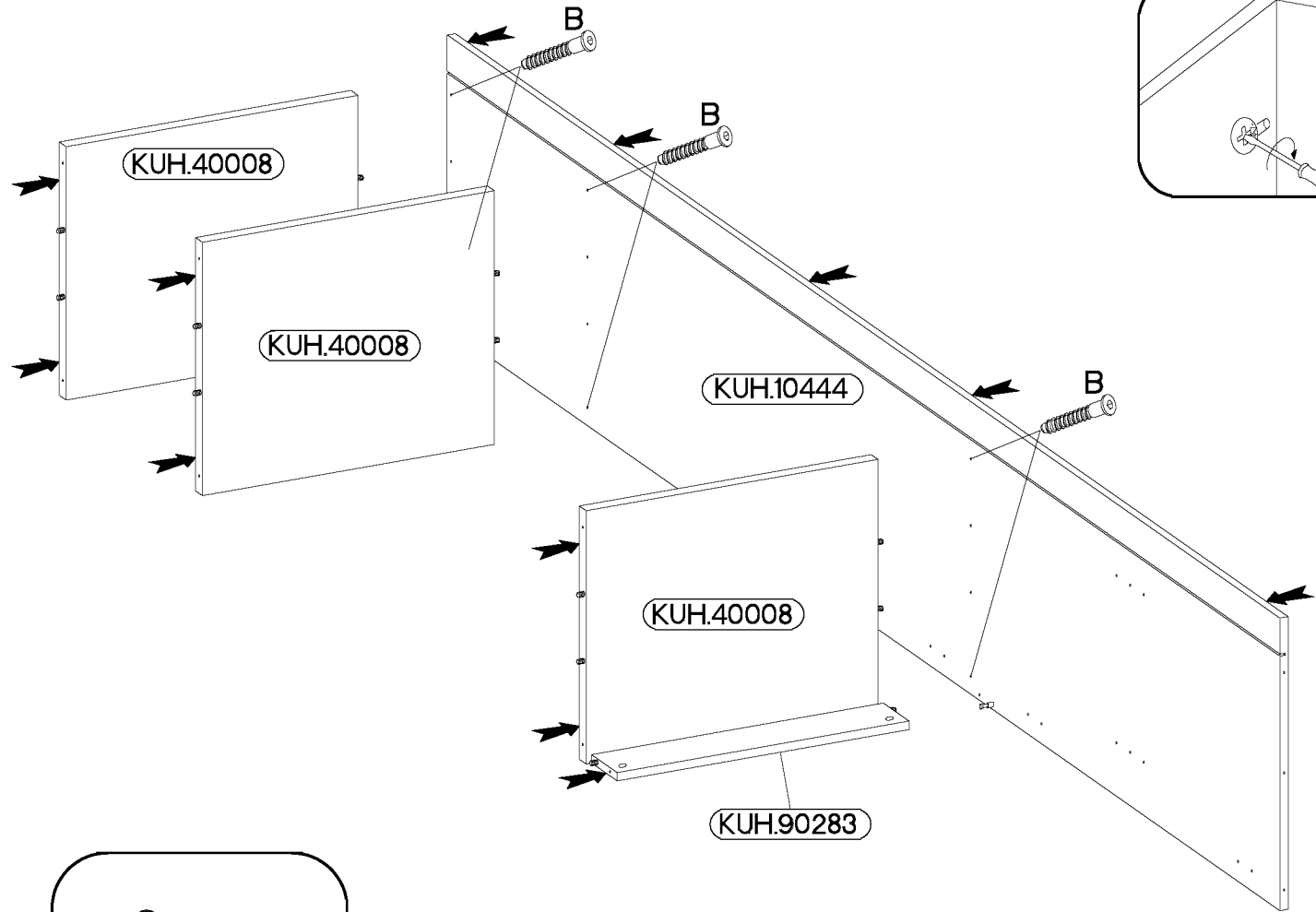
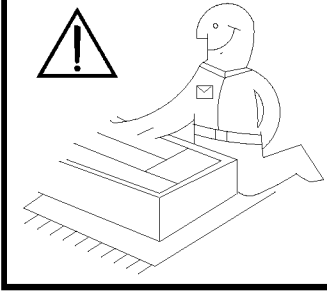
$\varnothing 3.5 \times 13 \text{mm}$  P5 16	L=135-170cm  F15 4
--	--



3


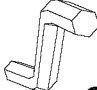

6,4 x 50mm

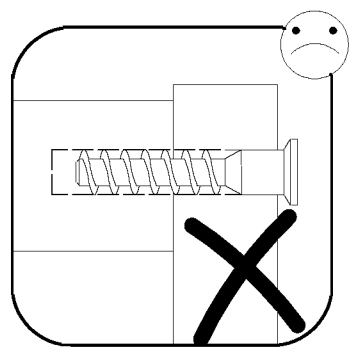
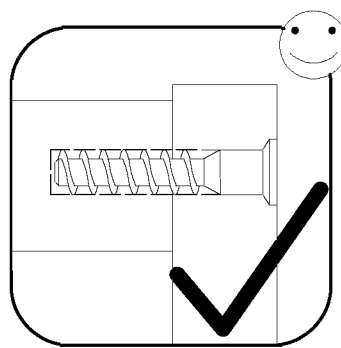
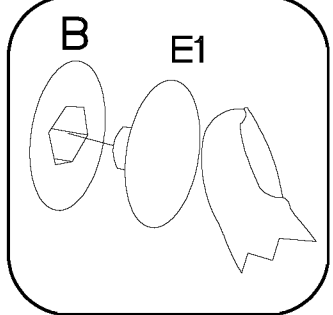
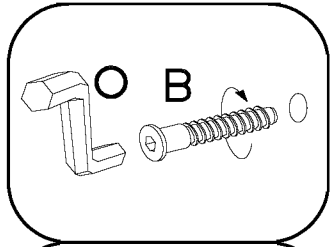
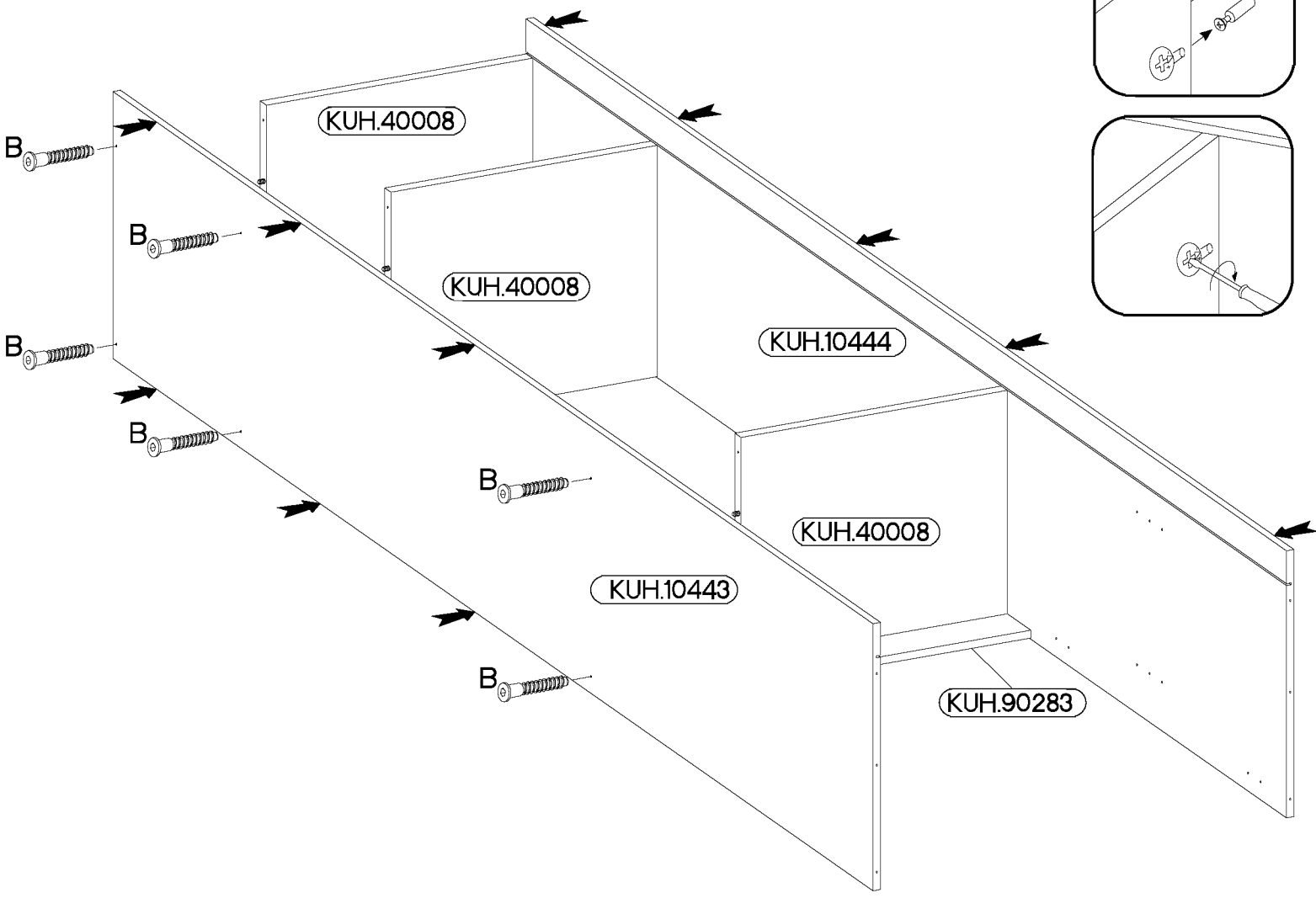
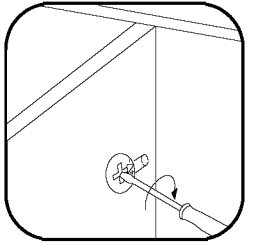
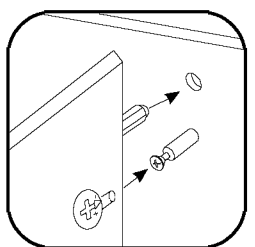
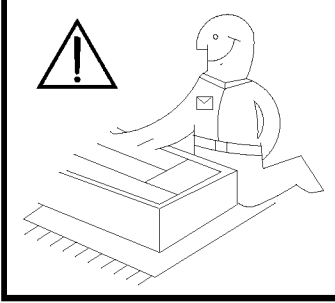
		
<b>B</b>	<b>O</b>	<b>E1</b>
6	1	6



4

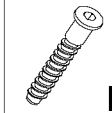
6,4 x 50mm

		
<b>B</b>	<b>O</b>	<b>E1</b>
6	1	6



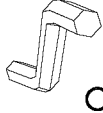
5

6,4 x 50mm



B

6



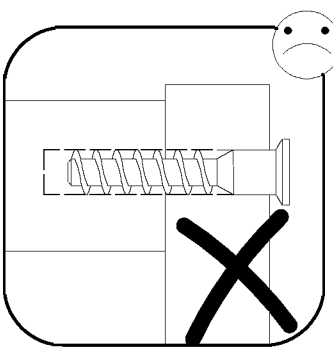
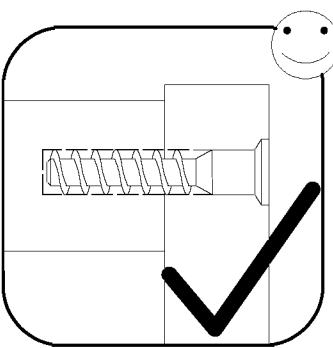
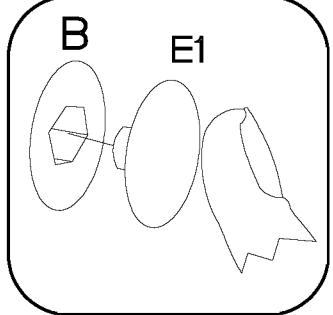
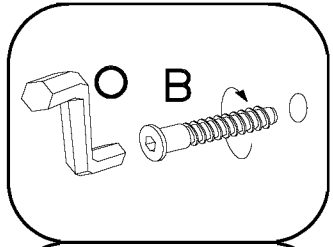
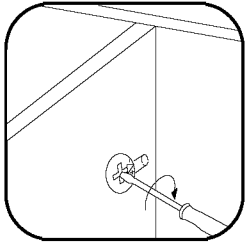
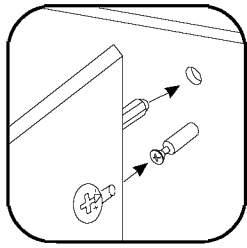
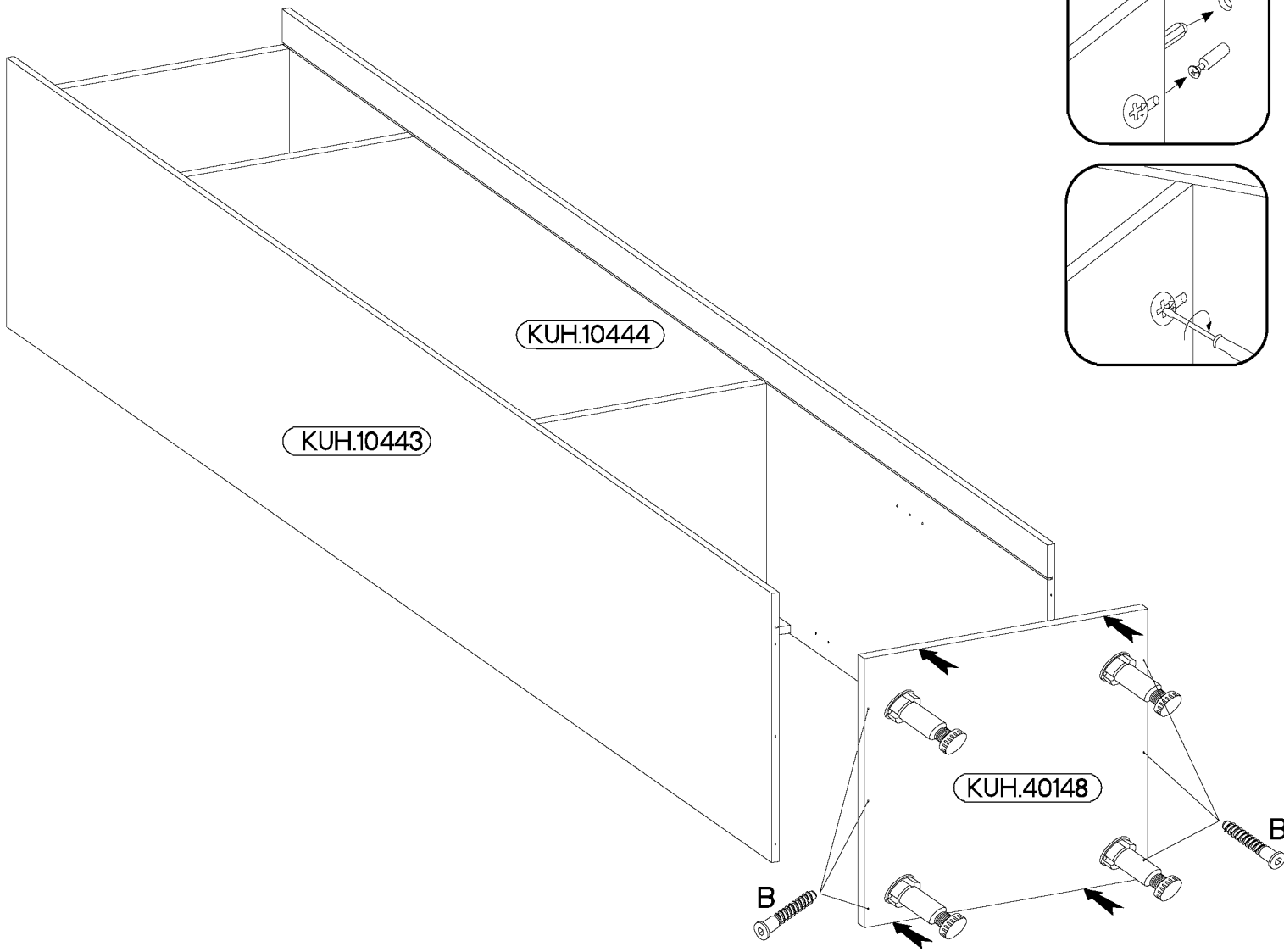
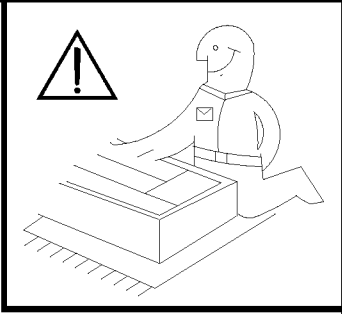
O

1

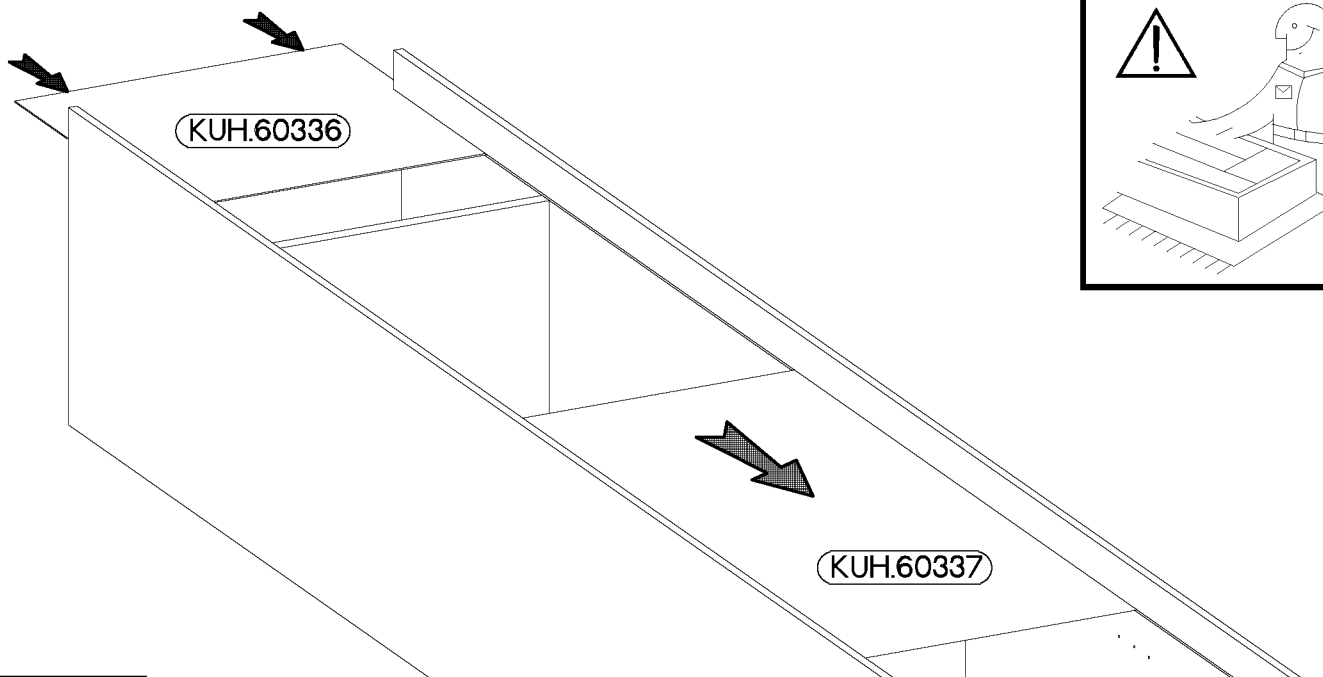


E1


6

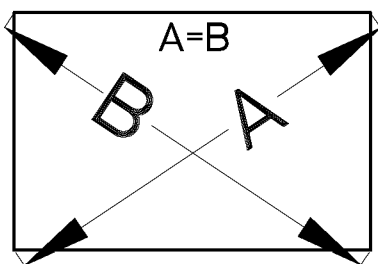
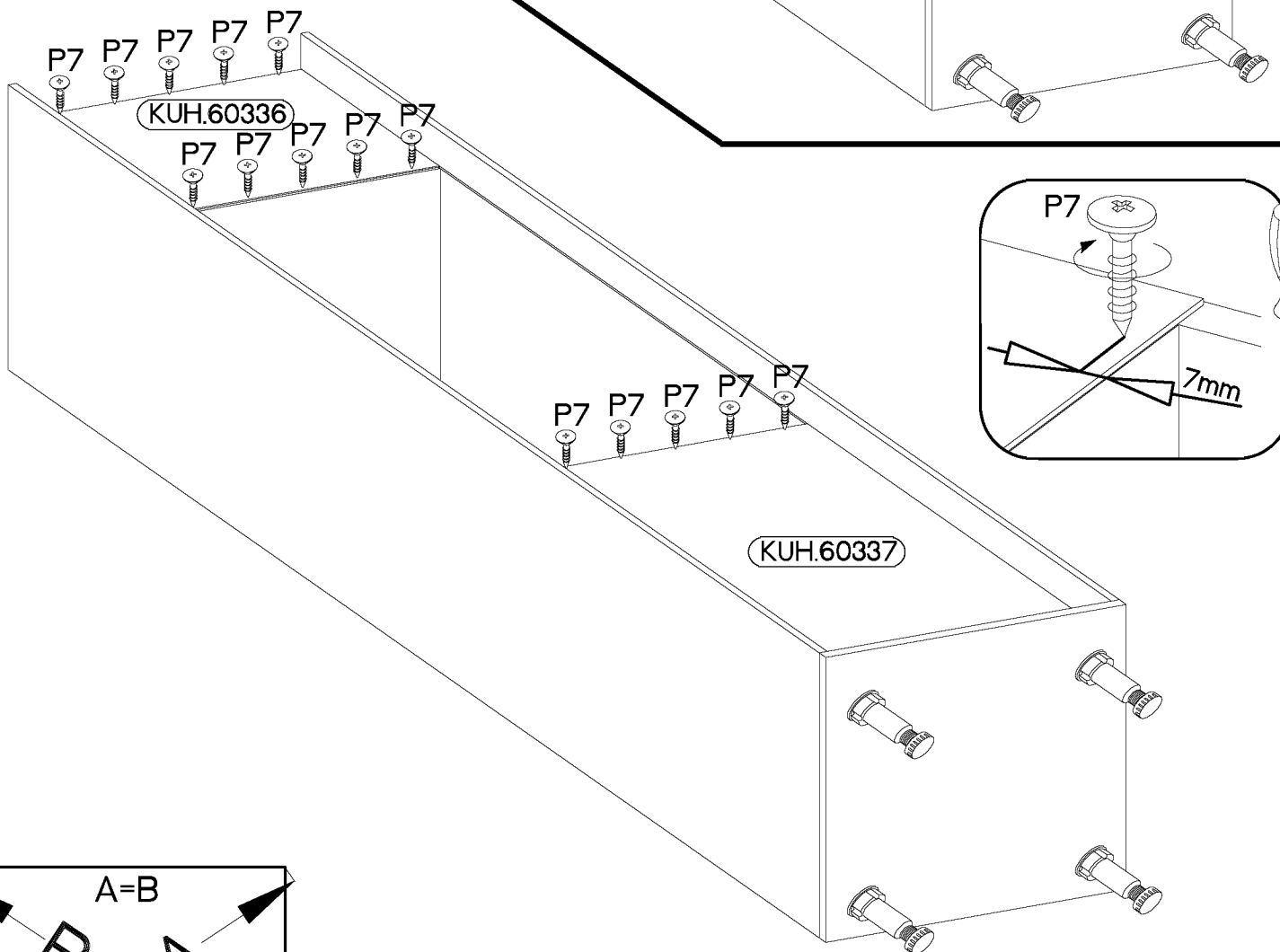


6



7

$\varnothing 3.0 \times 20 \text{mm}$   
  
 P7  
 15-20



±3.5x13mm



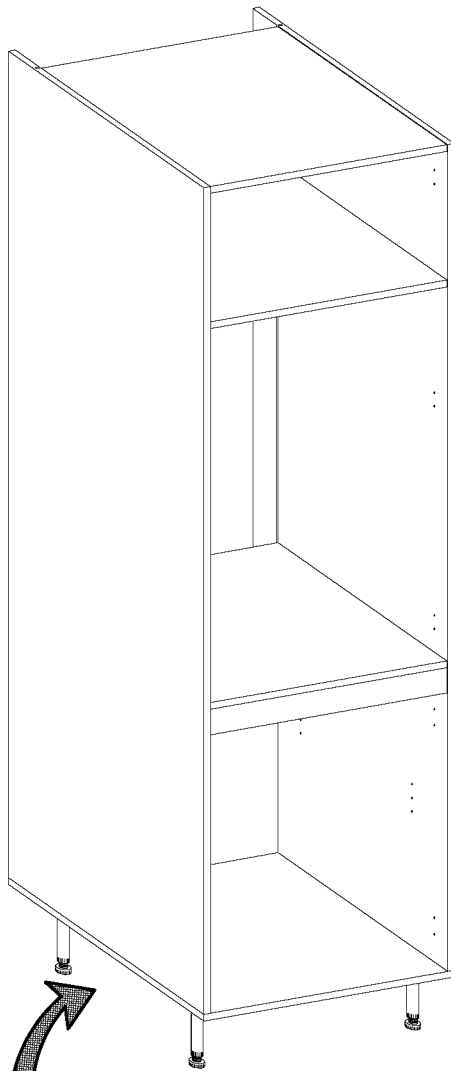
P5

12

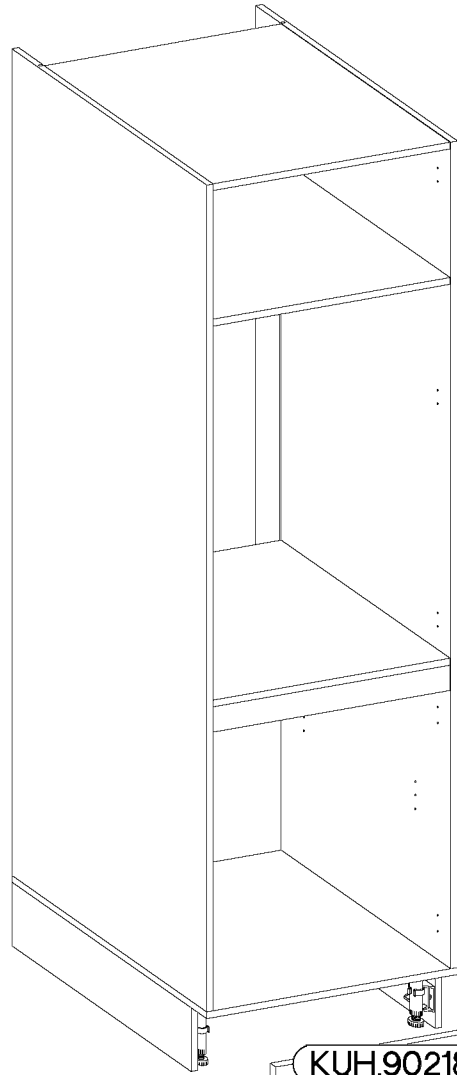
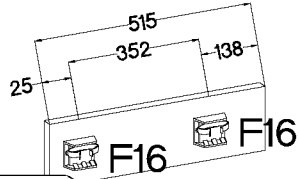


F16

6

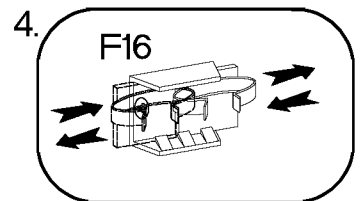
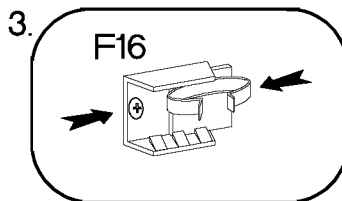
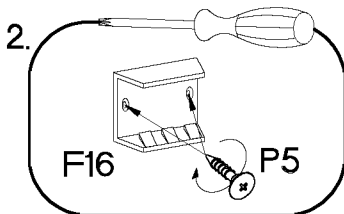
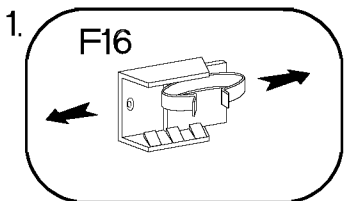
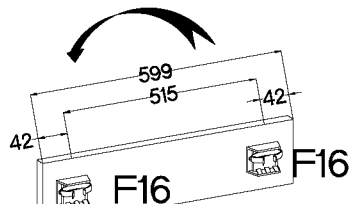


KUH.90215



KUH.90218

KUH.90218



9

3.5x13mm

120x30x15mm



P5

2



L25

1

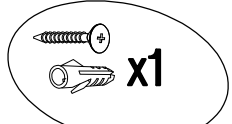
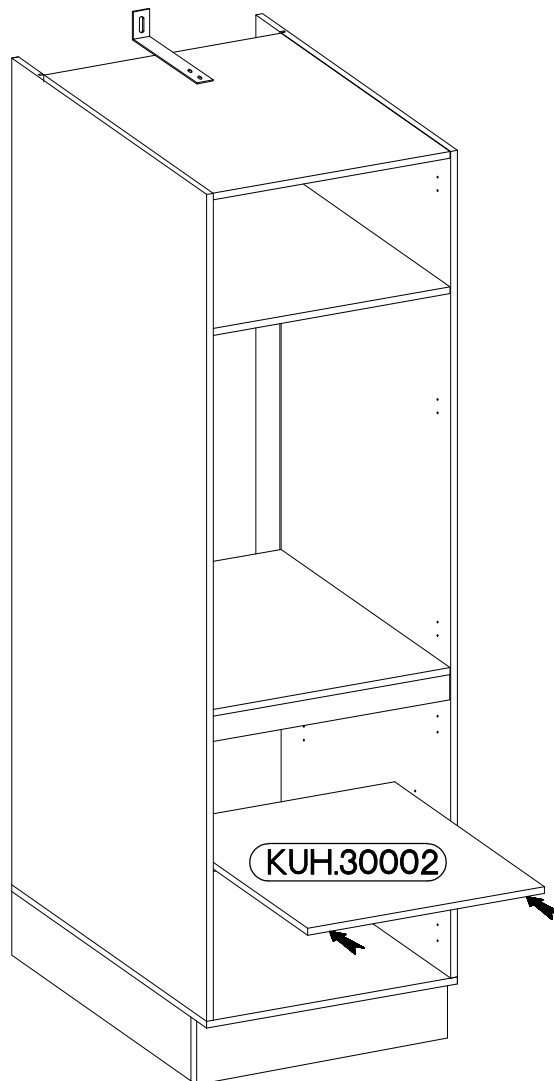
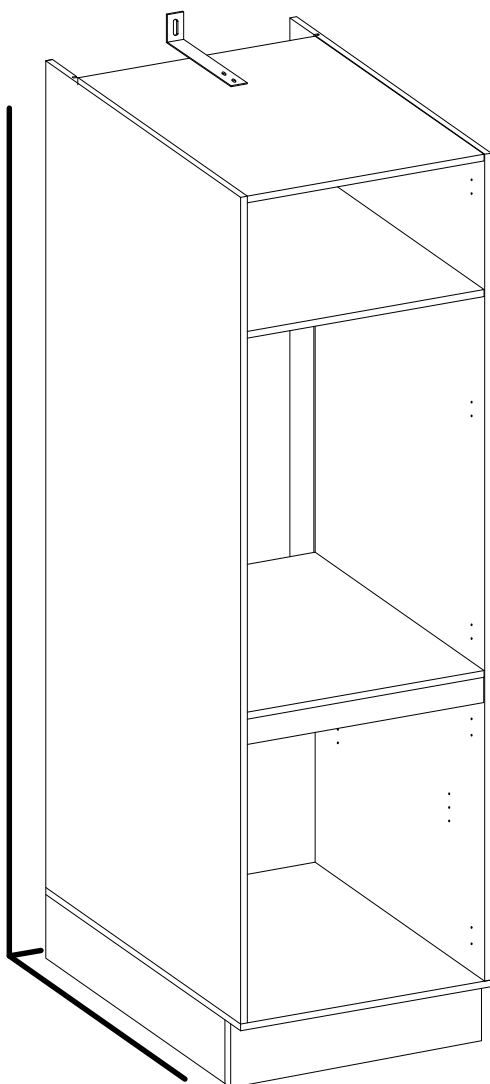
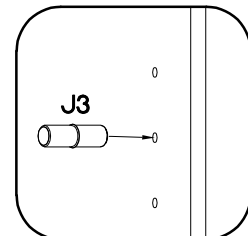
10

5/16mm

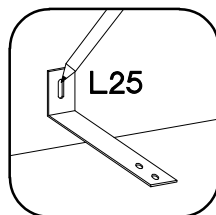


J3

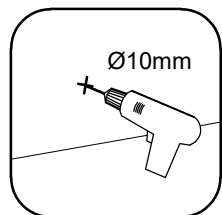
4



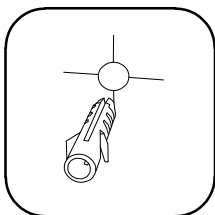
1.



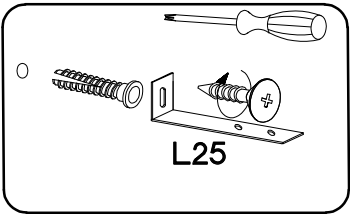
2.



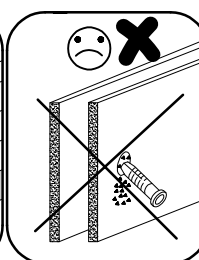
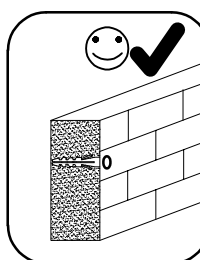
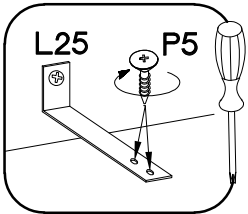
3.





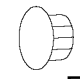
4.

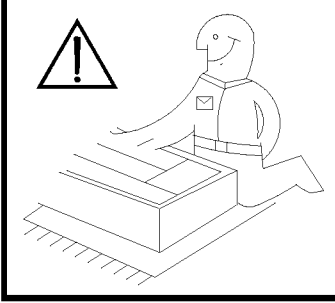


5.

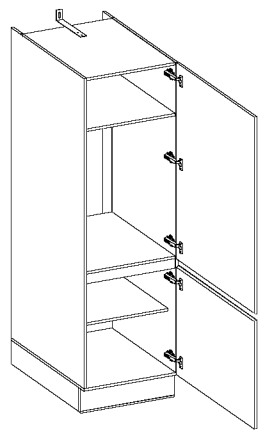
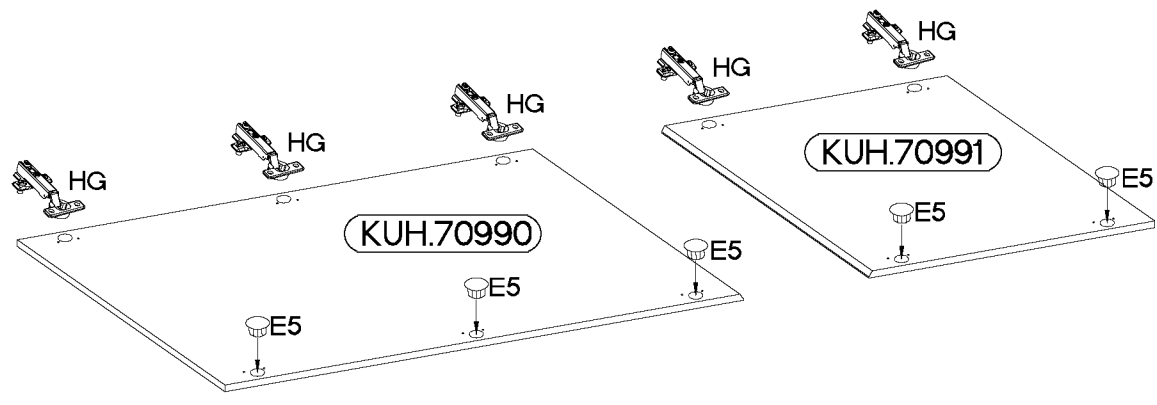




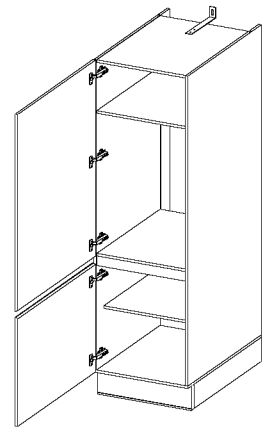
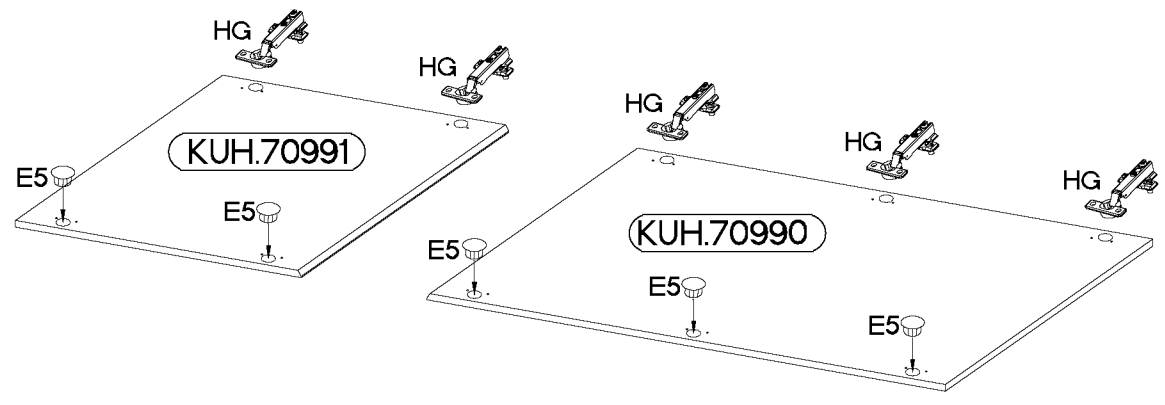
 †35/0mm HG 5	 †3.5x13mm P5 10	 †35mm E5 5
--	---	--

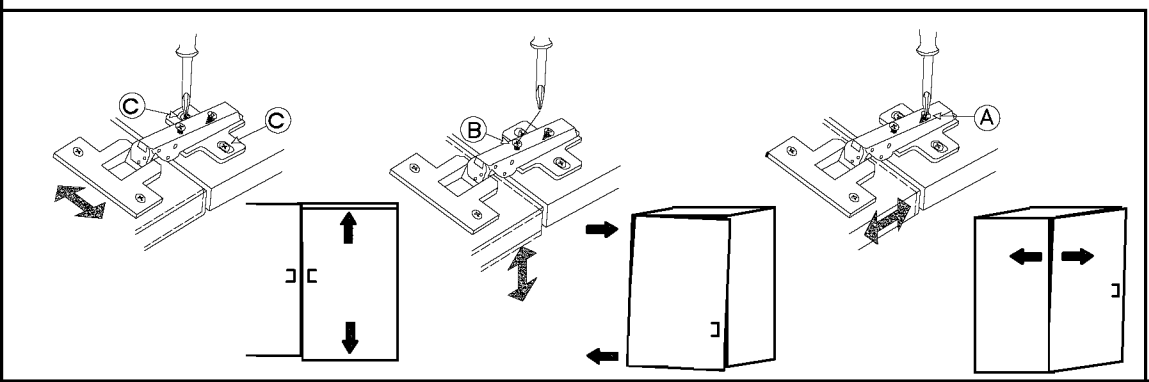
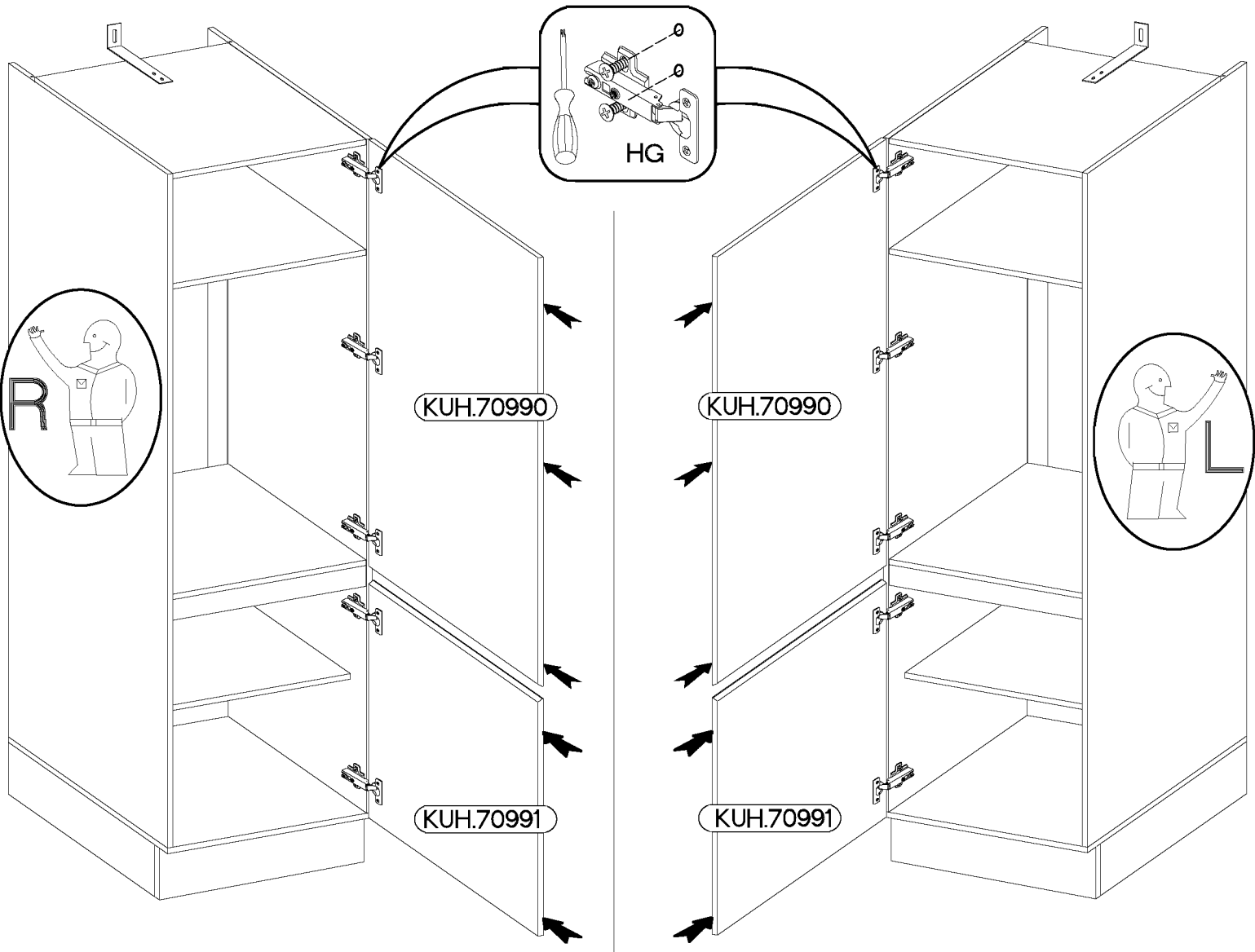


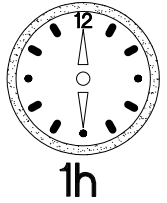
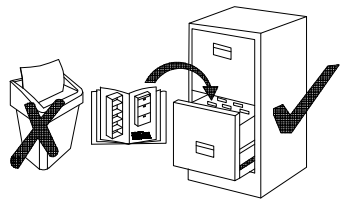
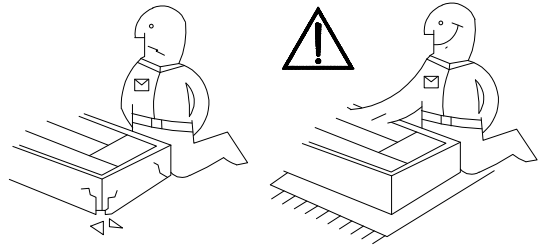
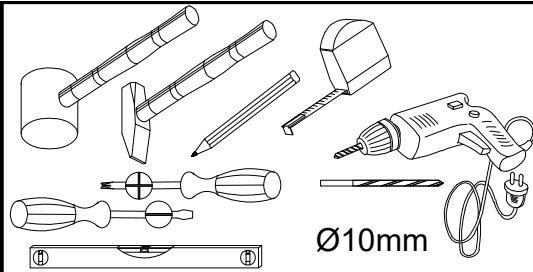
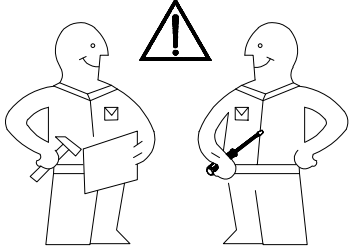
# RIGHT



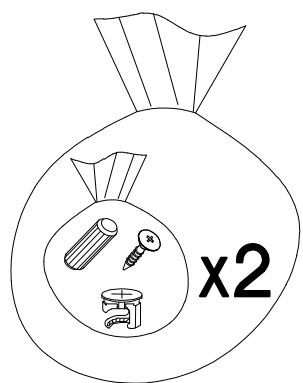
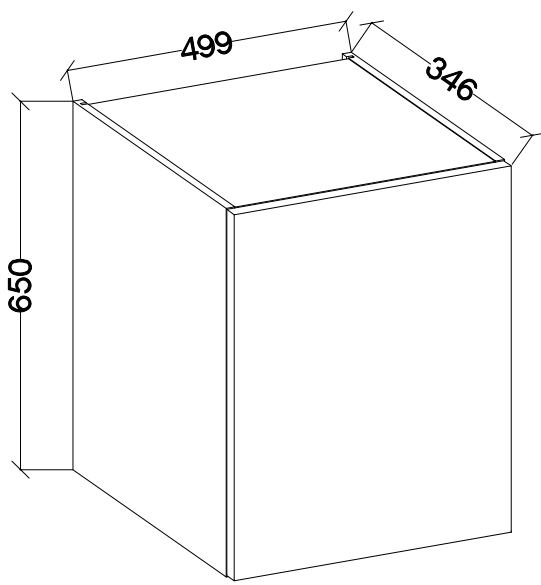
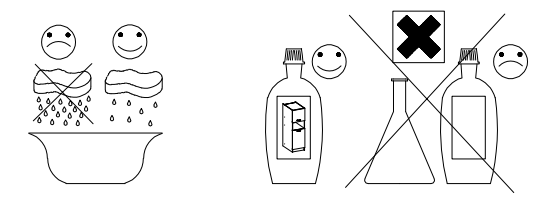
# LEFT



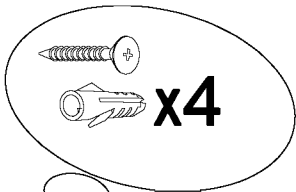
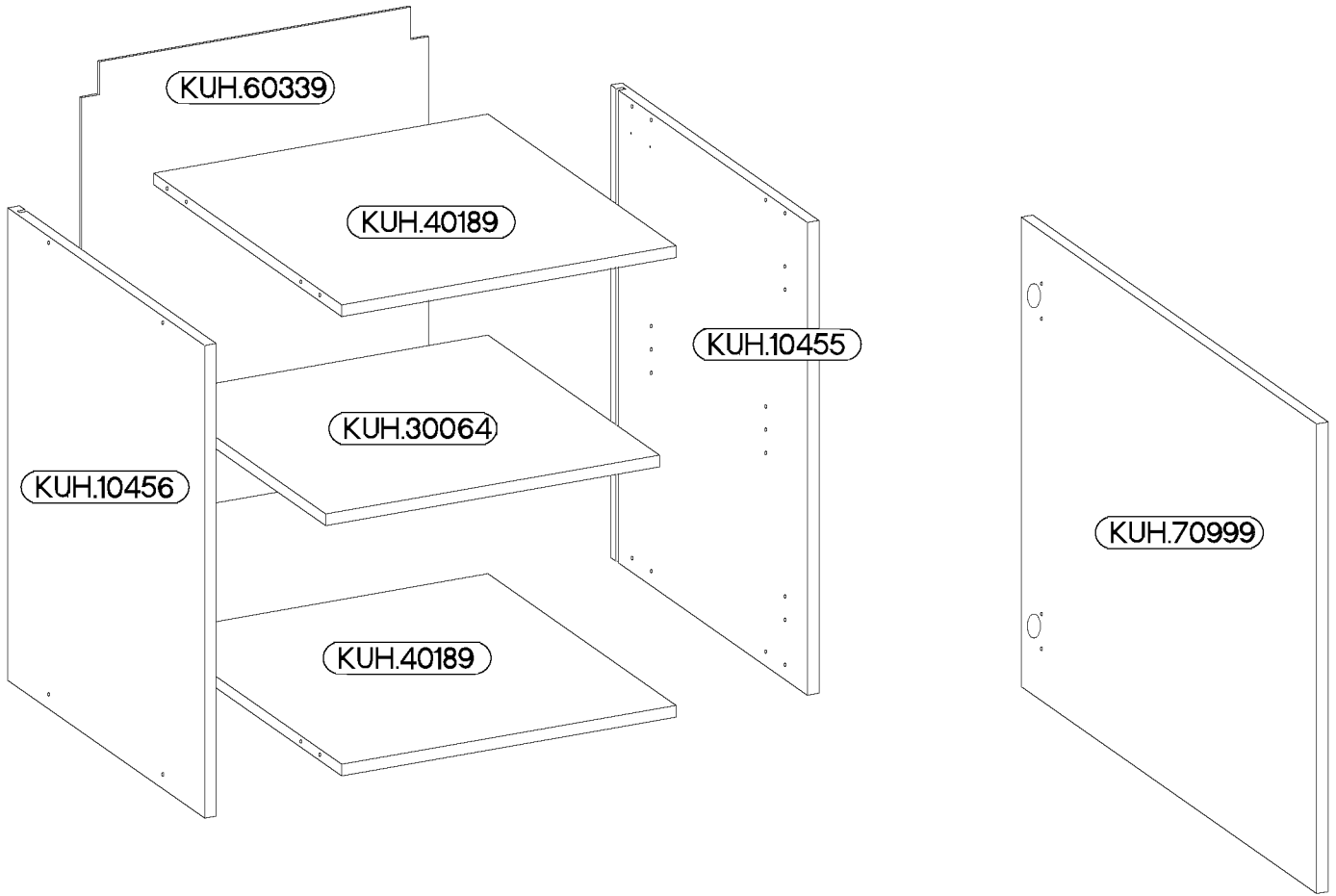
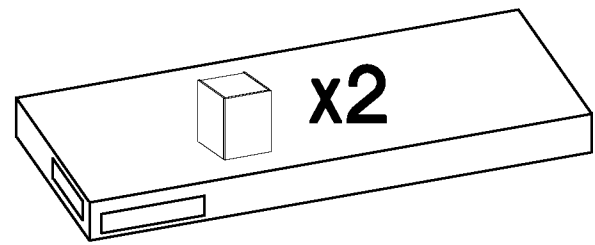




84-200-...  
ADANA  
Zeile 200  
Hängeschränk 1T



 A 8	 B 8	 E1 8	 HG 2	 J3 4	
 K 2	 K16 2	 O 1	 P5 4	 P7 8-10	 P8 4



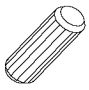
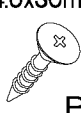
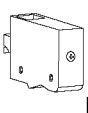
Colli	Spare Part	Dimension
Colli 4/6	KUH.10455	650x330x16
	KUH.10456	650x330x16
	KUH.30064	466x288x16
	KUH.40189 x2	467x316x16
	KUH.60339	635x485x2,5
	KUH.70999	646x496x16

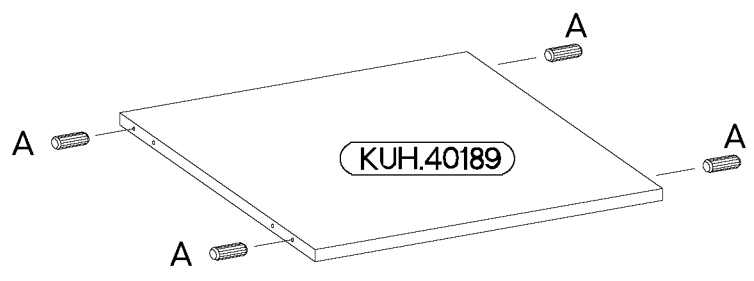
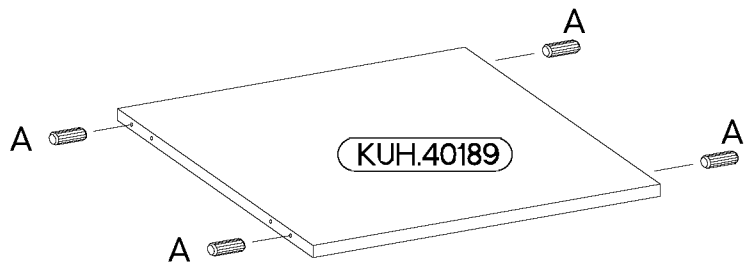
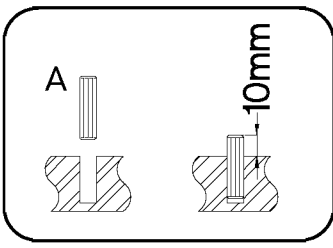
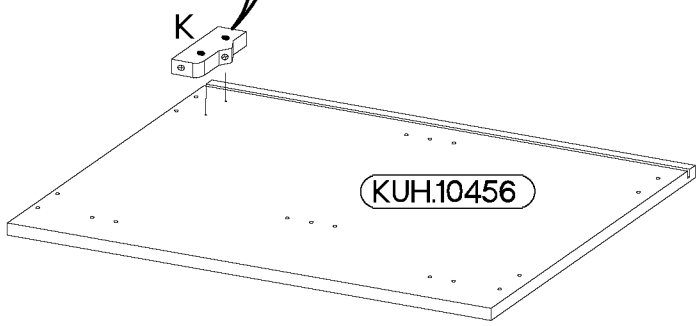
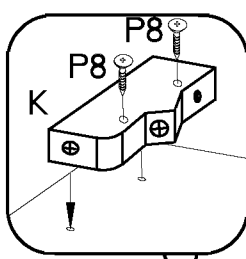
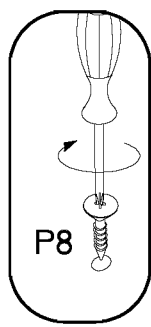
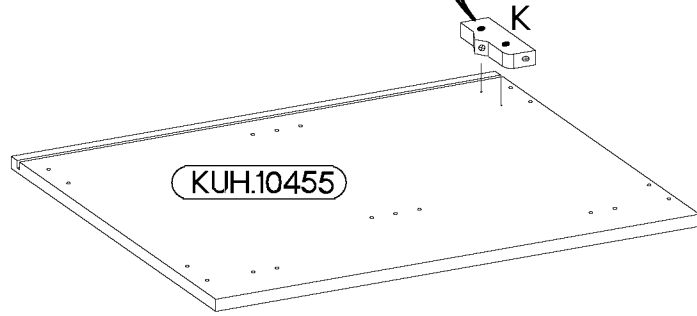
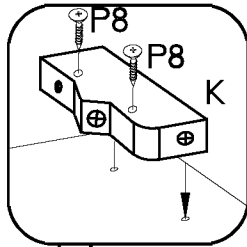
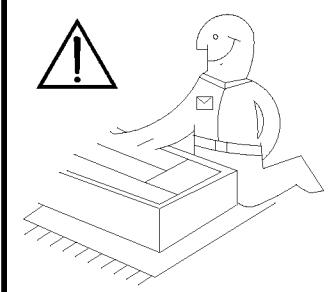
**x2**




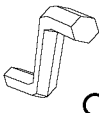

KUH.30064  
KUH.40189

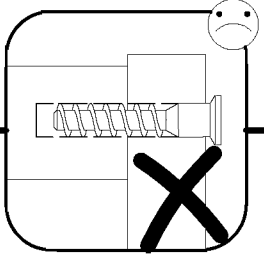
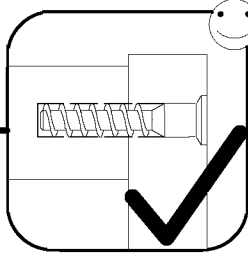
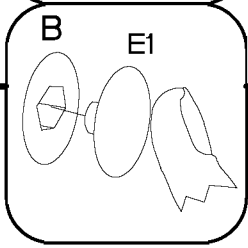
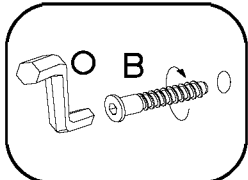
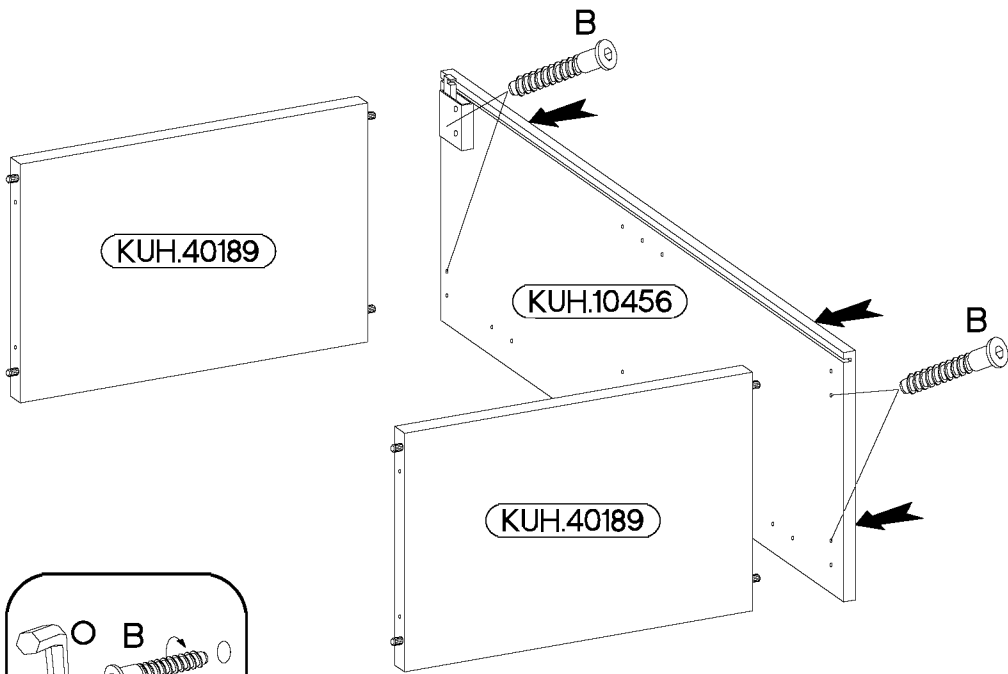
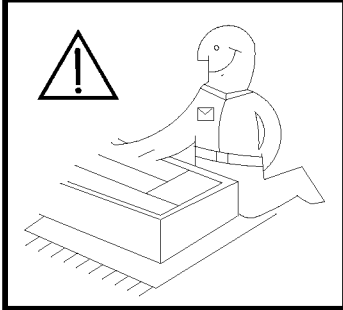
1

$\pm 8 \times 30 \text{mm}$  A	$\pm 4.0 \times 30 \text{mm}$  P8	 K
8	4	2

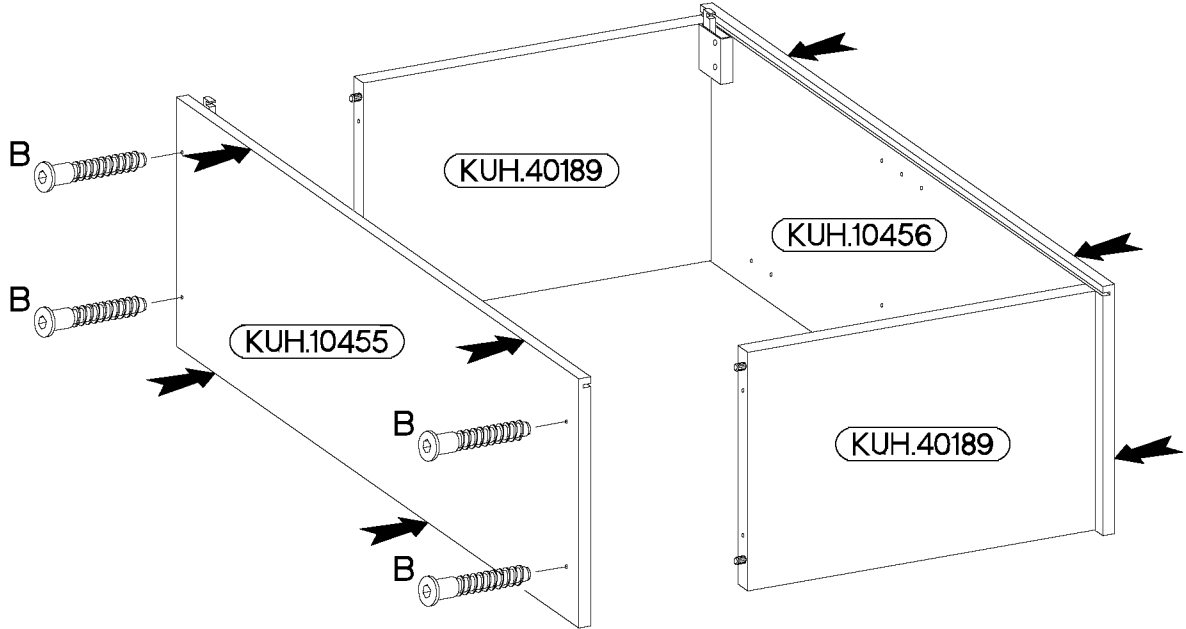



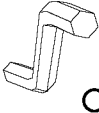

2

6,4 x 50mm		
		
<b>B</b>	<b>O</b>	<b>E1</b>
4	1	4

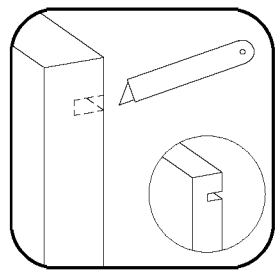
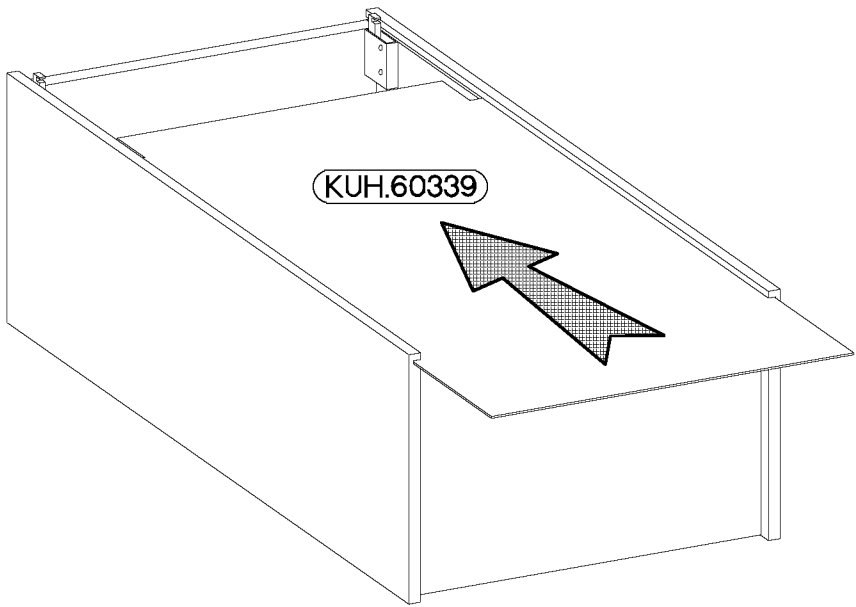
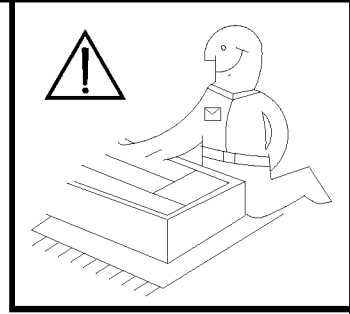


3

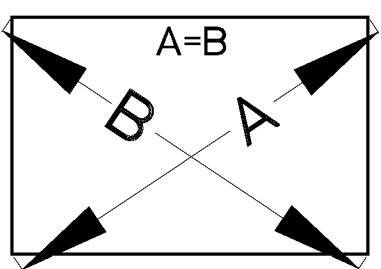
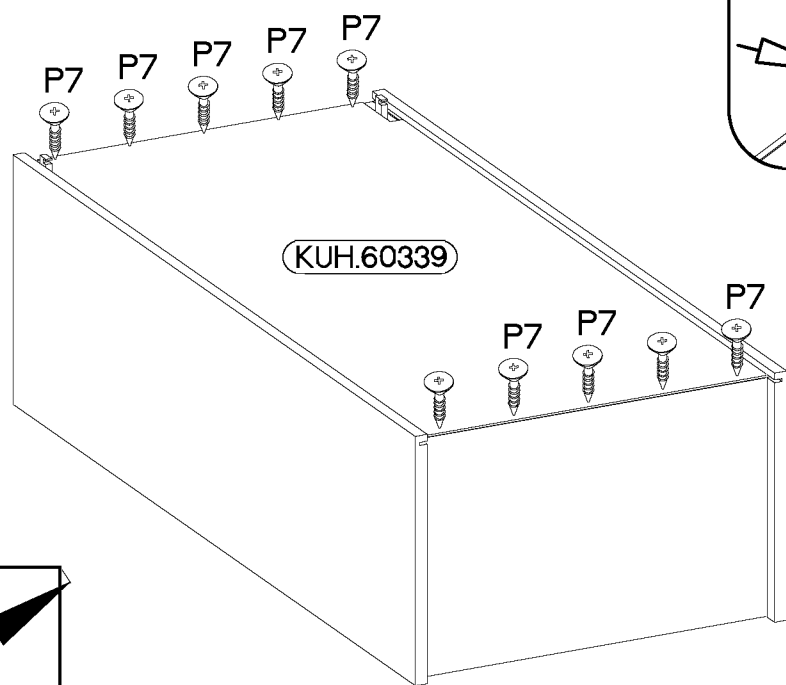
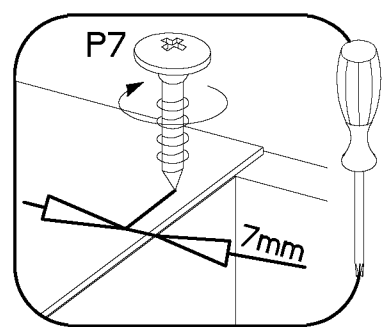
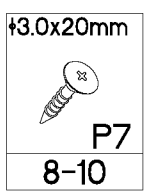


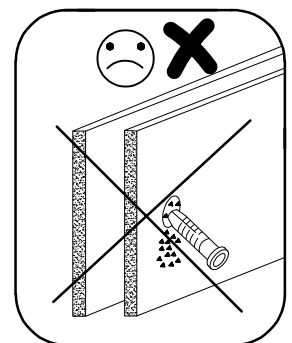
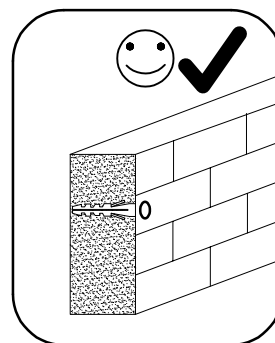
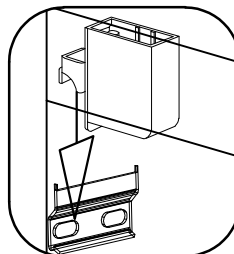
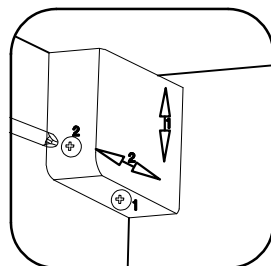
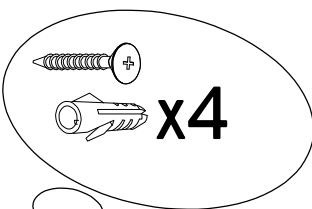
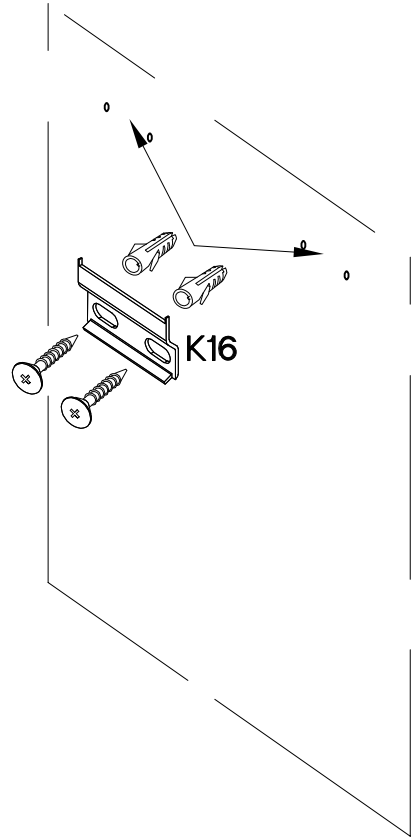
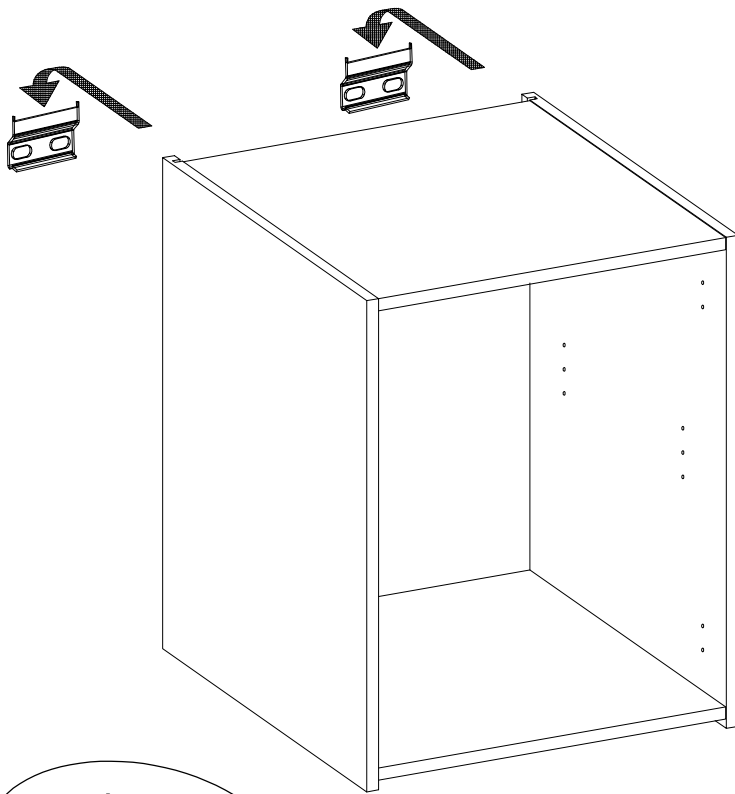
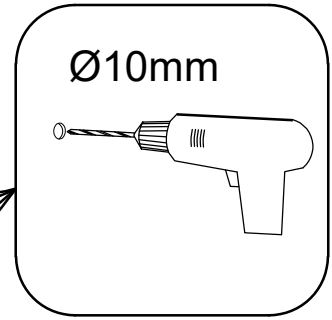
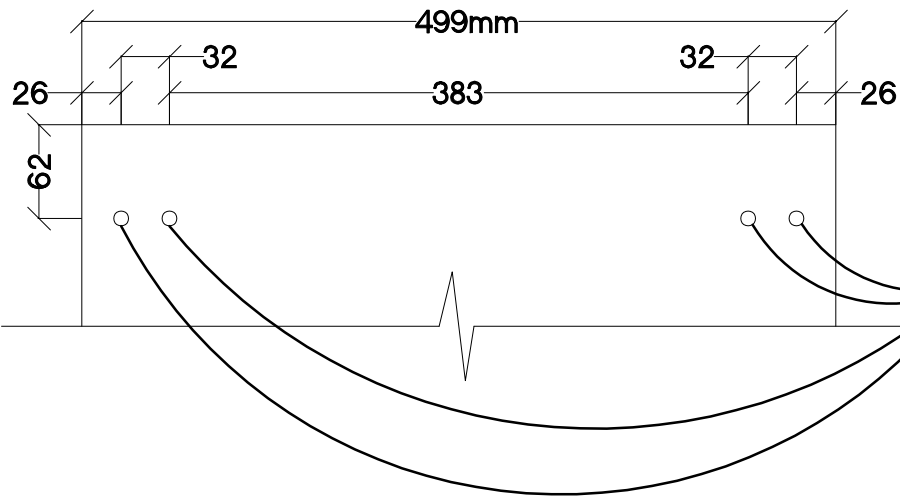
6,4 x 50mm		
		
<b>B</b>	<b>O</b>	<b>E1</b>
4	1	4

4



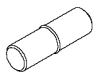
5

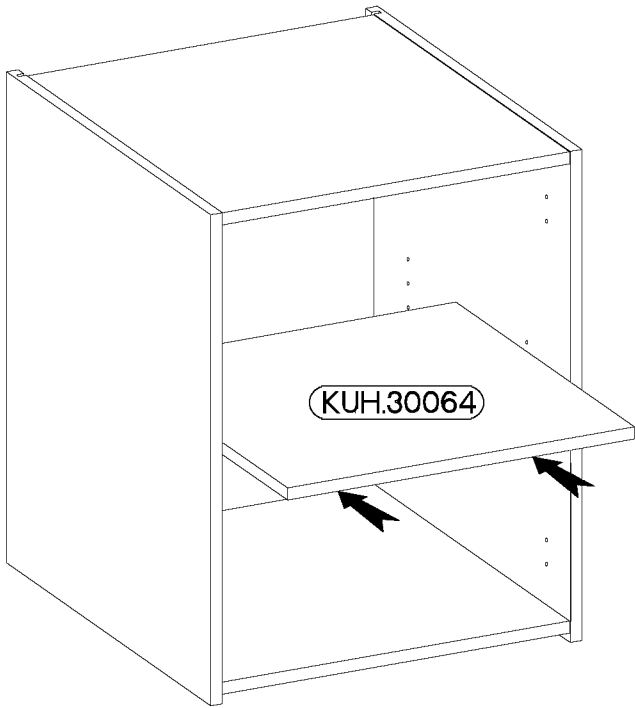
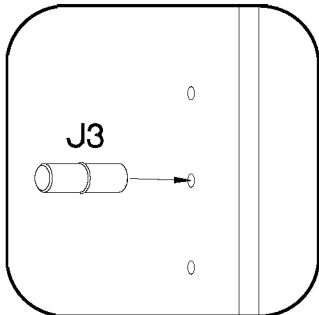








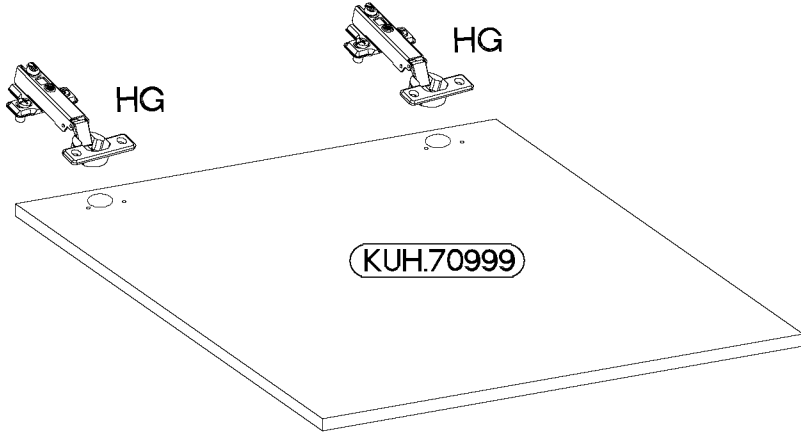
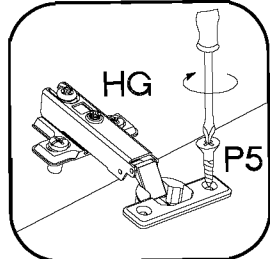
7

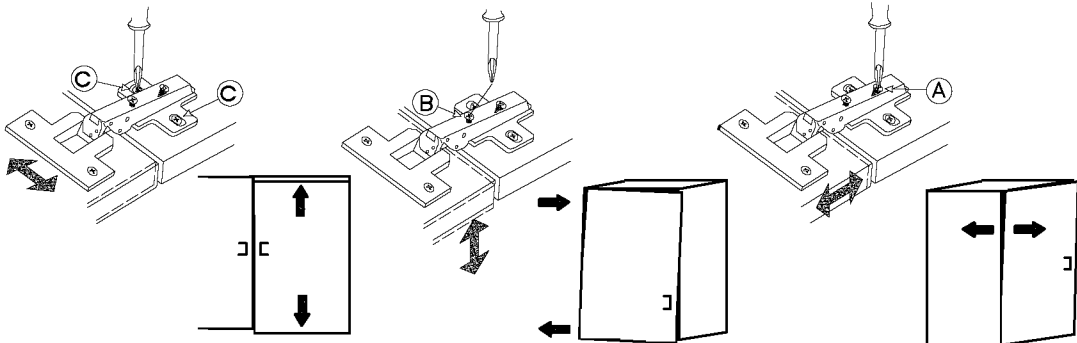
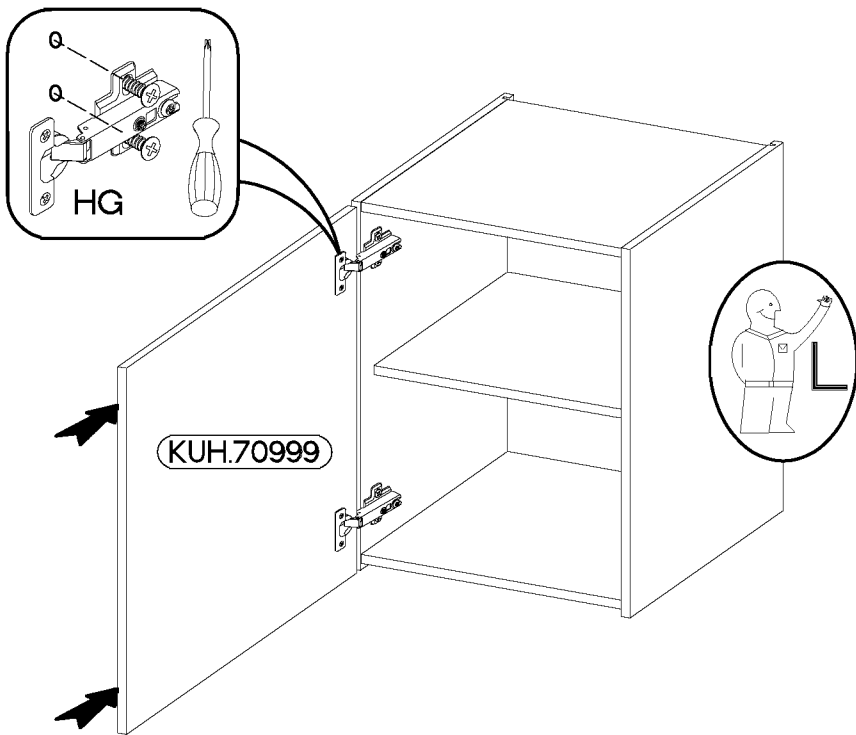
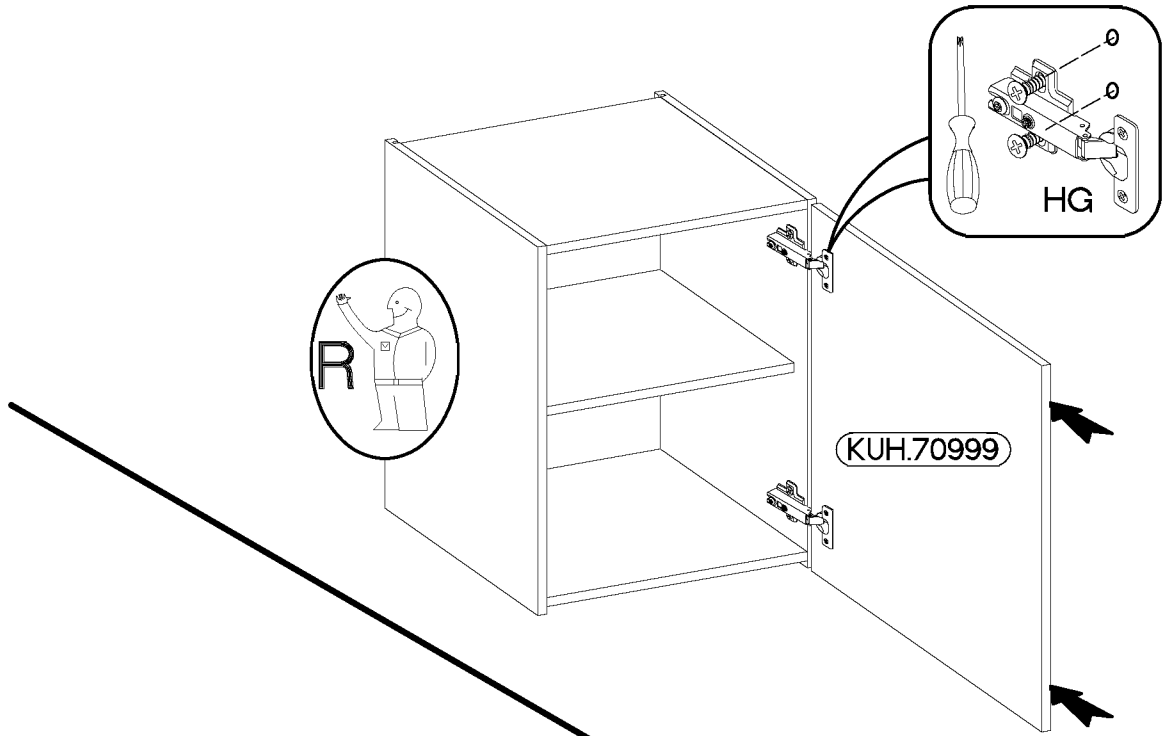
†5/16mm

J3
4

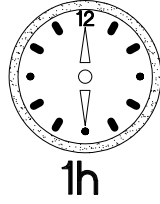
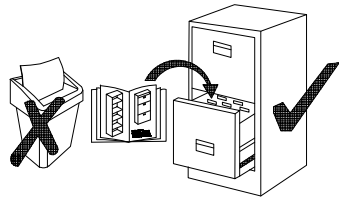
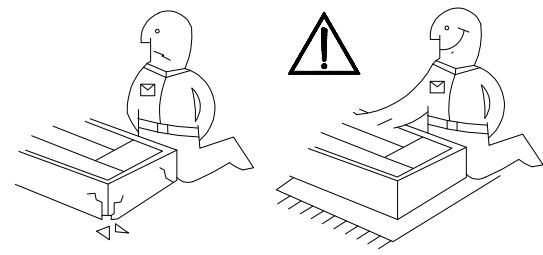
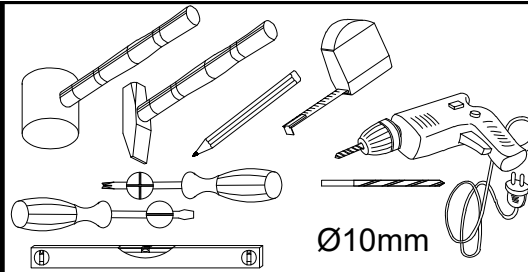
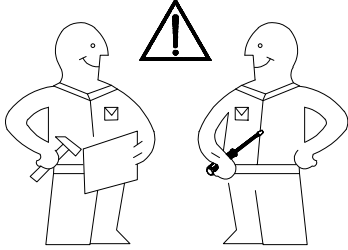


8

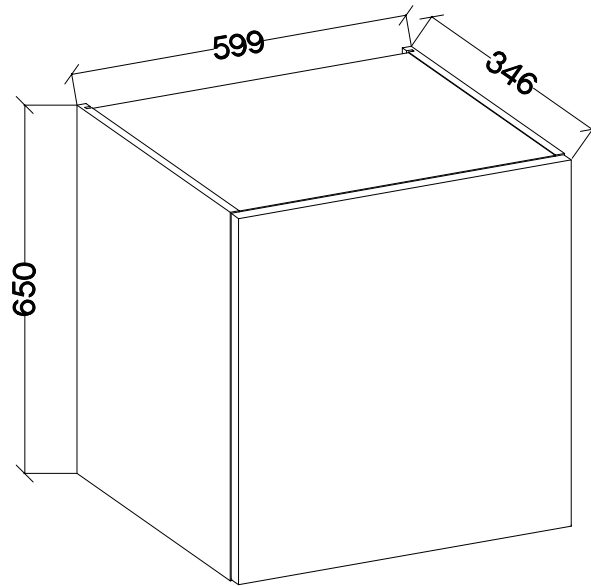
†35/0mm	†3.5x13mm
	
HG	P5
2	4





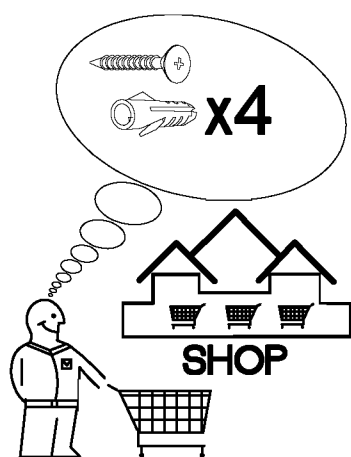
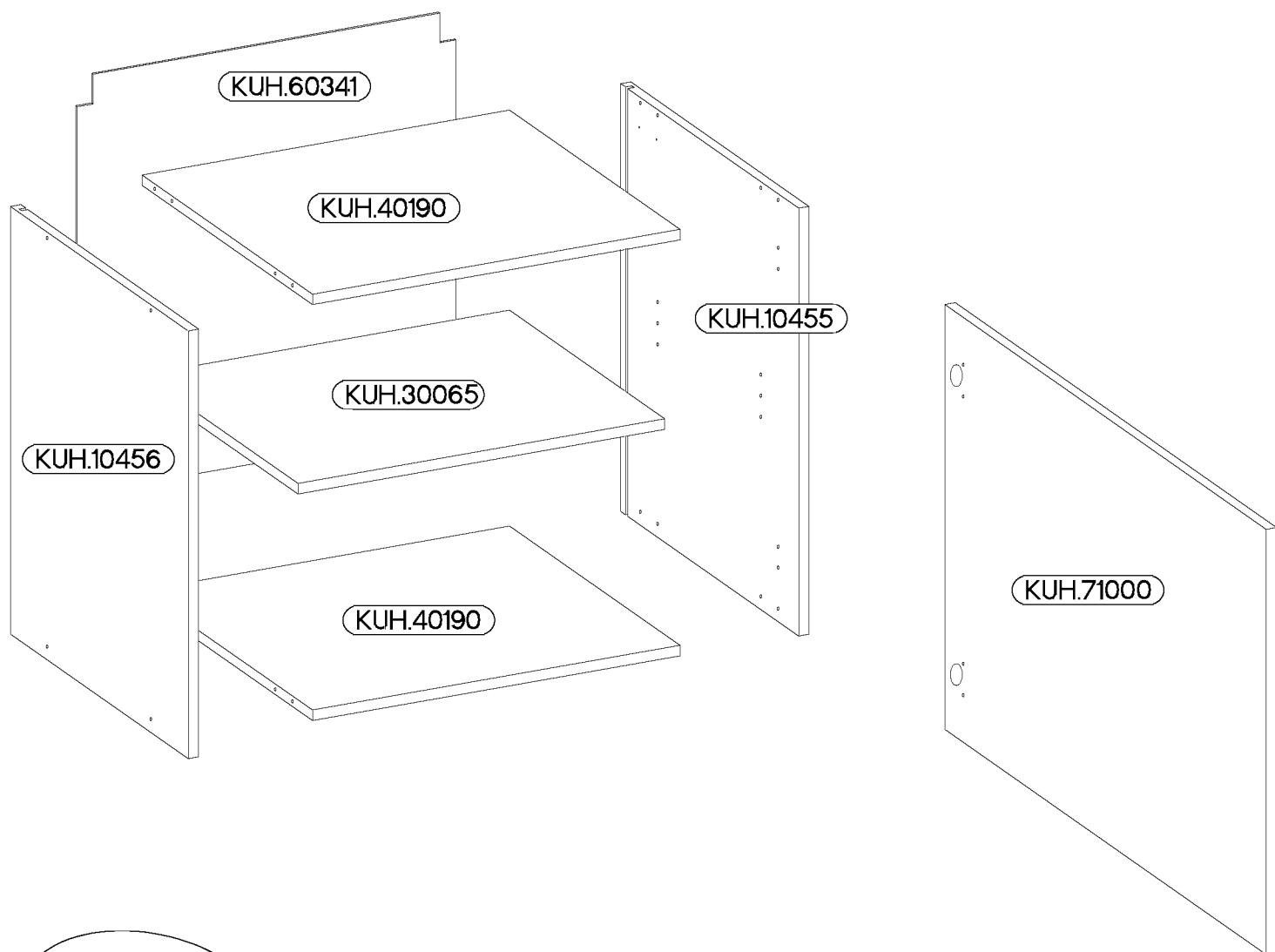


84-200-...  
ADANA  
Zeile 220  
Hängeschrank 1T



 A 8	 B 8	 E1 8	 HG 2	 J3 4			
 K 2	 K16 2	 O 1	 P5 4	 P7 10-15	 P8 4	 R 2	

ISM-KUH-01724

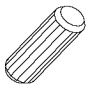
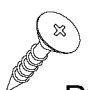
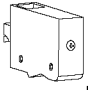


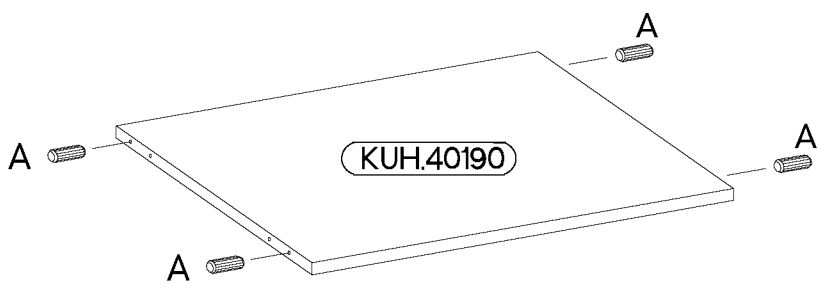
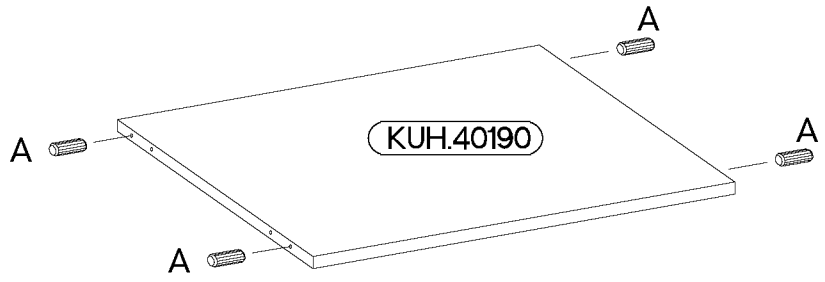
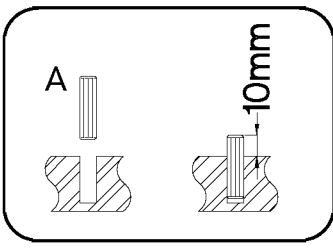
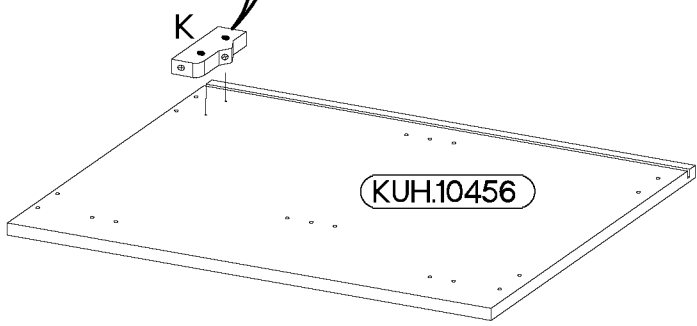
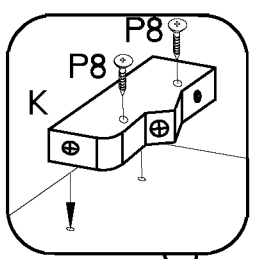
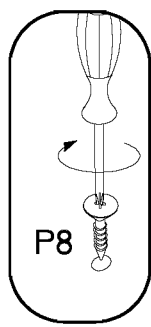
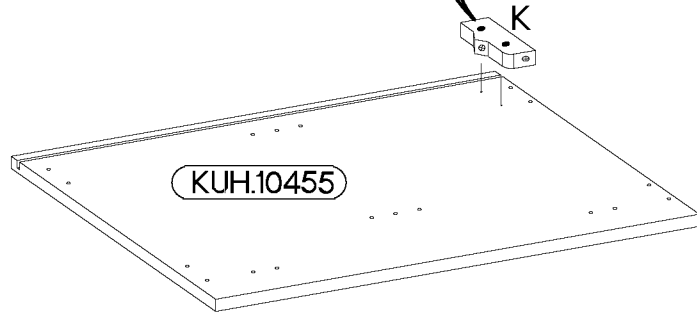
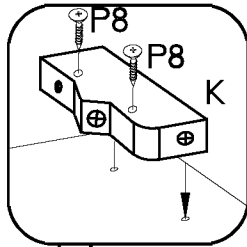
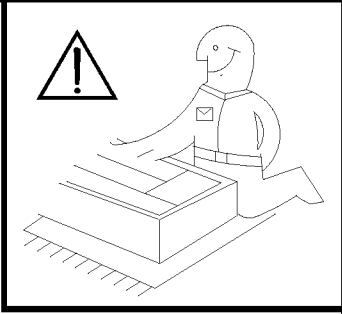
Colli	Spare Part	Dimension
Colli 5/6	KUH.10455	650x330x16
	KUH.10456	650x330x16
	KUH.30065	566x288x16
	KUH.40190 x2	567x316x16
	KUH.60341	635x585x2,5
	KUH.71000	646x596x16



KUH.30065  
KUH.40190

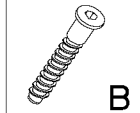
1

$\pm 8 \times 30 \text{mm}$  A	$\pm 4.0 \times 30 \text{mm}$  P8	 K
8	4	2



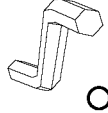
2

6,4 x 50mm



B

4



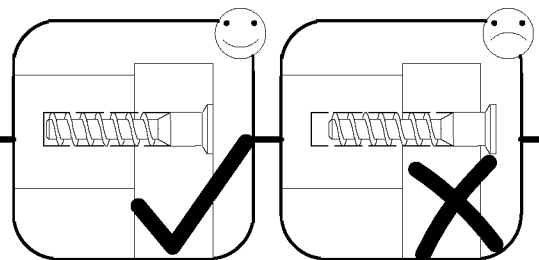
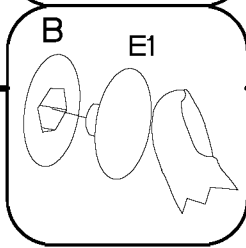
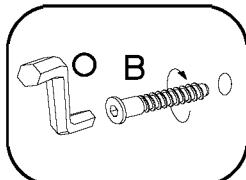
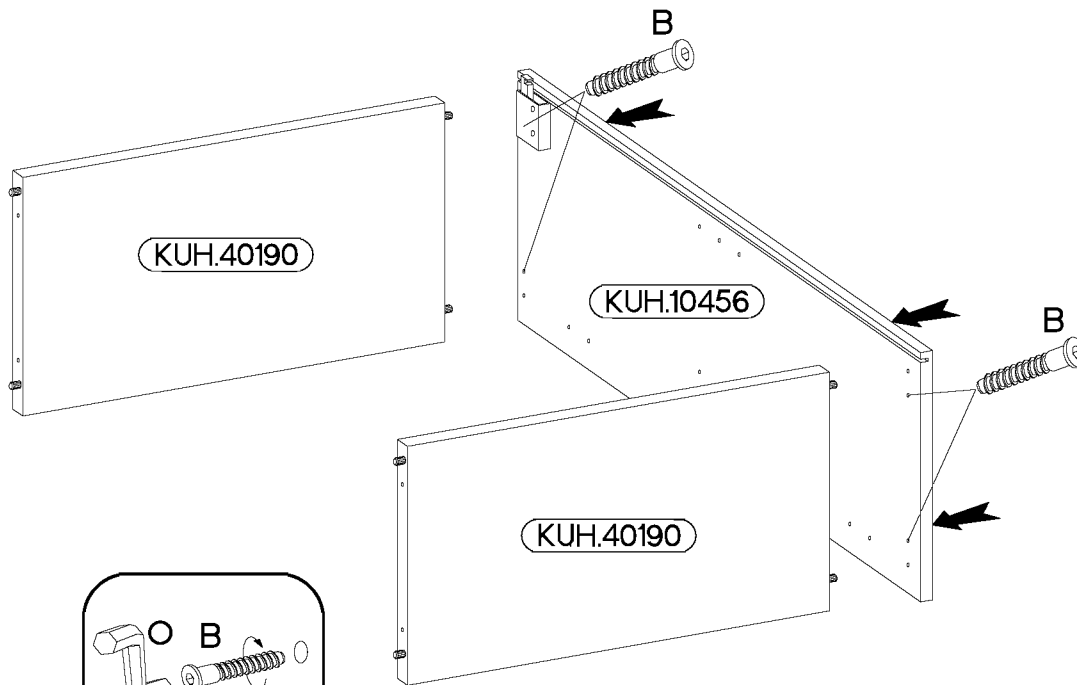
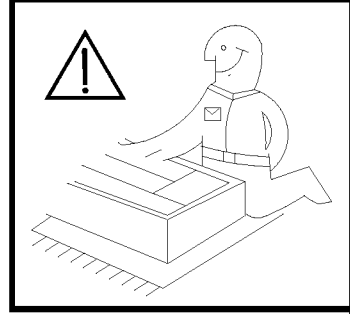
O

1

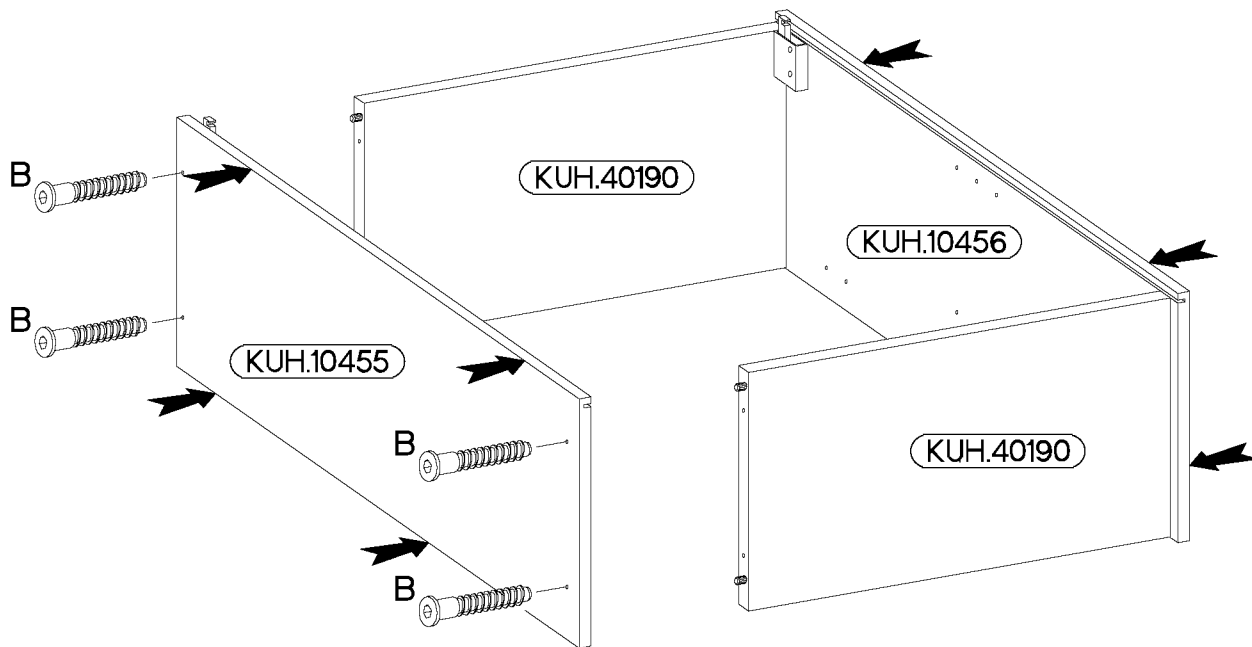


E1

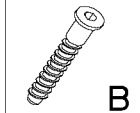
4



3

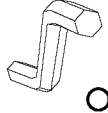


6,4 x 50mm



B

4



O

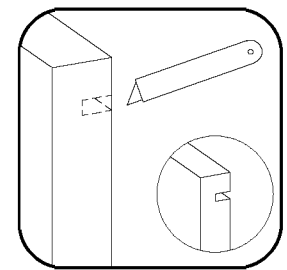
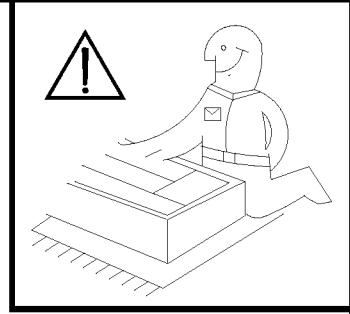
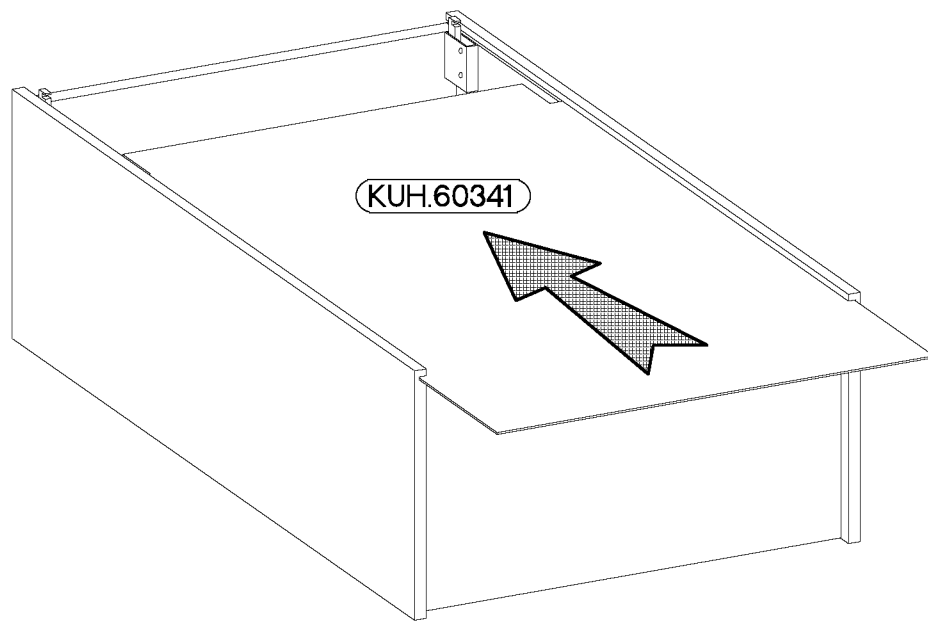
1



E1

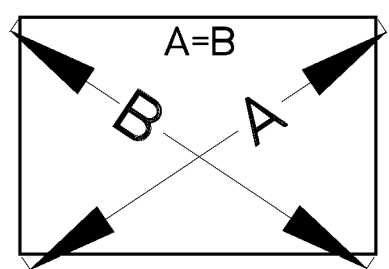
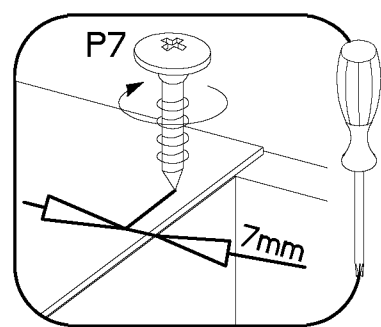
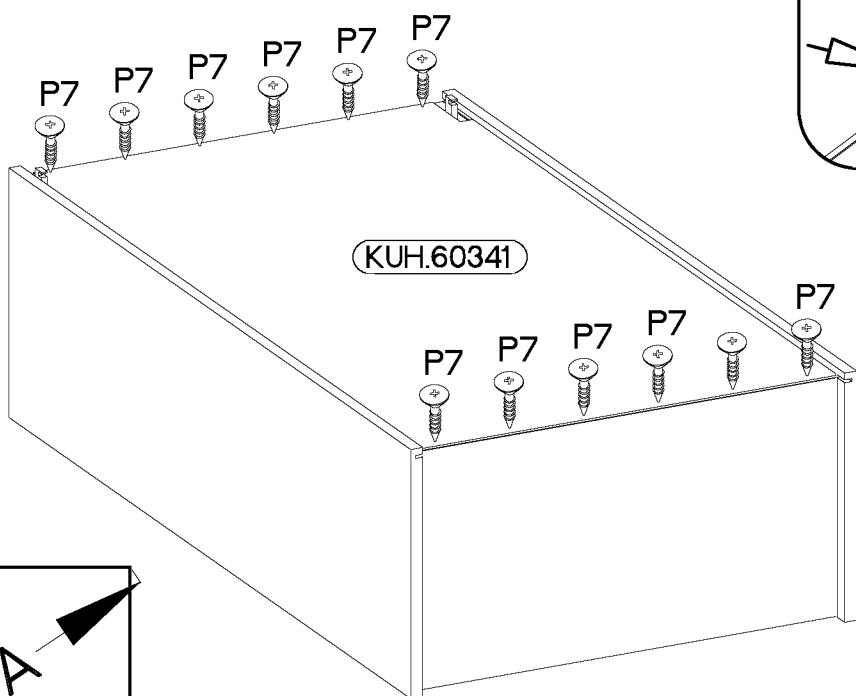
4

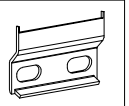
4



5

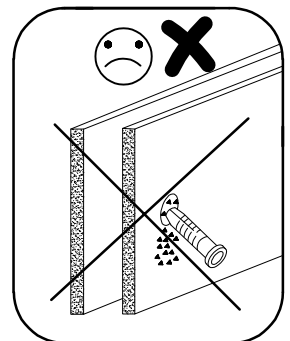
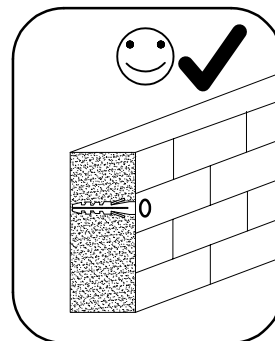
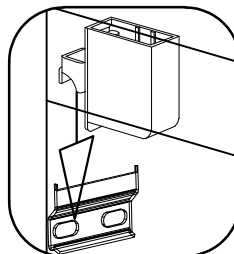
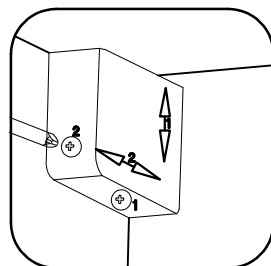
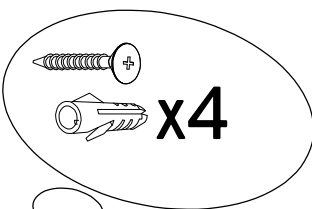
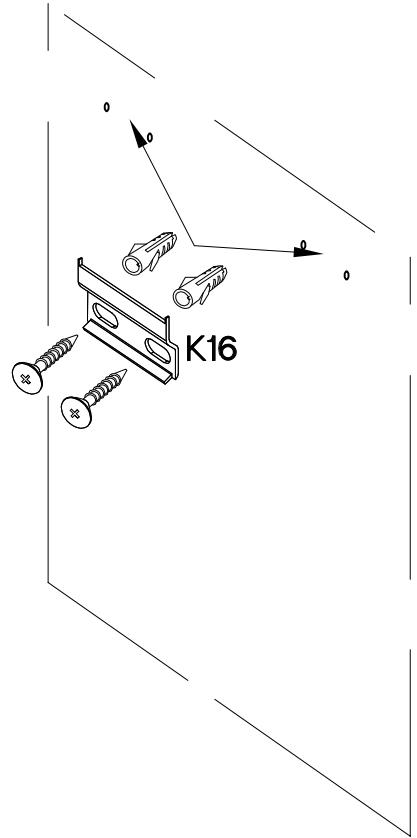
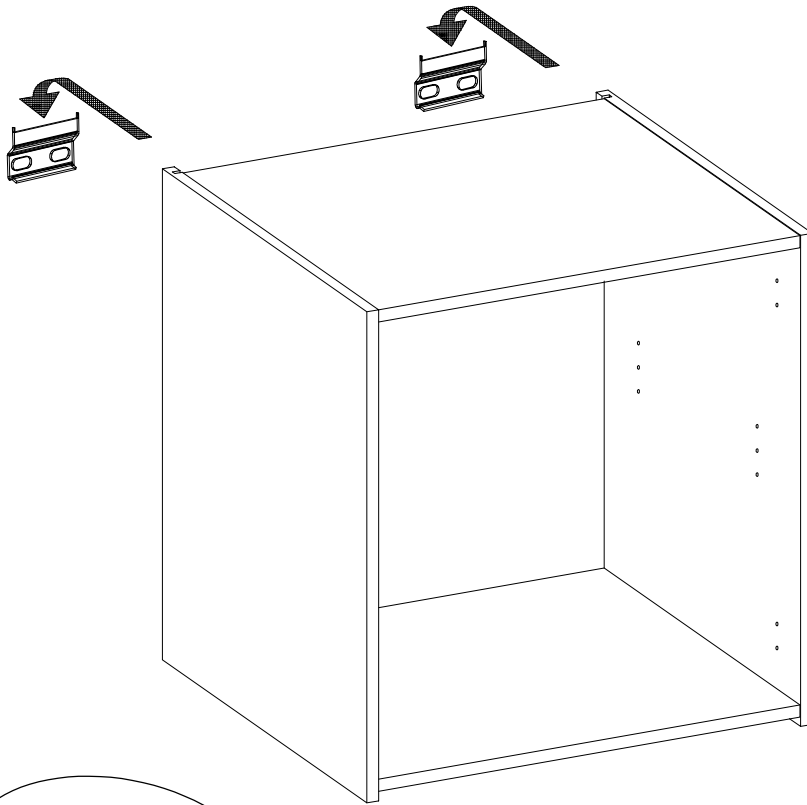
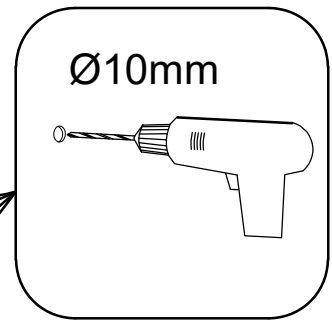
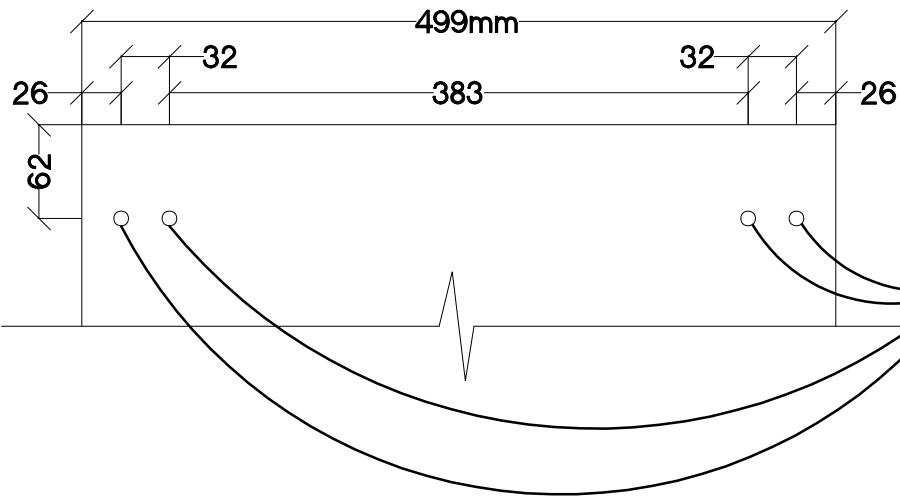
±3.0x20mm  
P7  
10-15





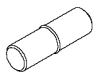
K16

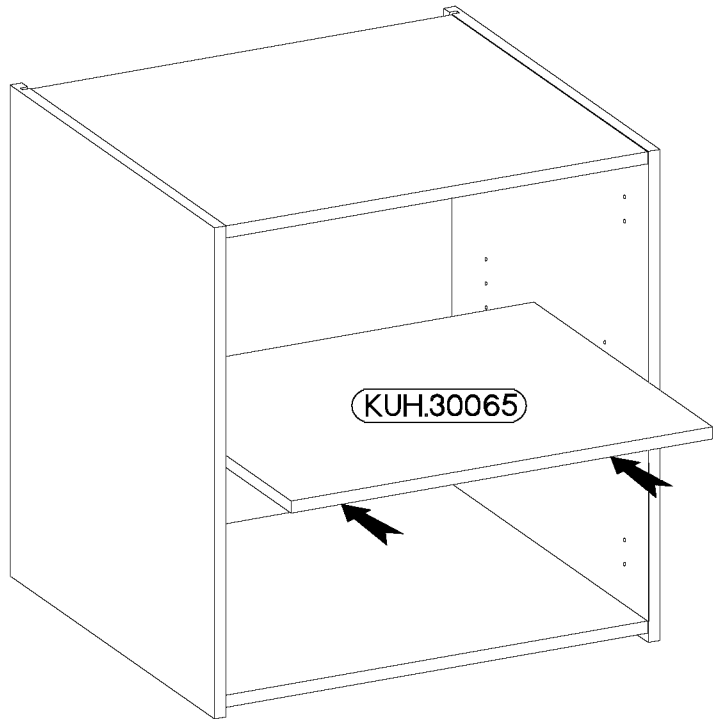
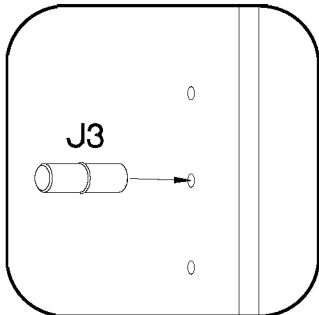
2







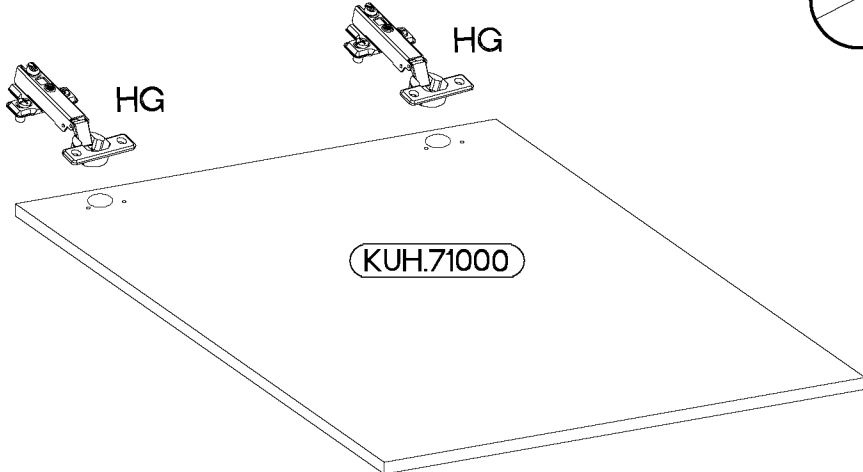
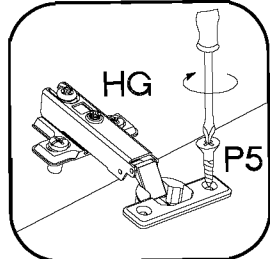
7

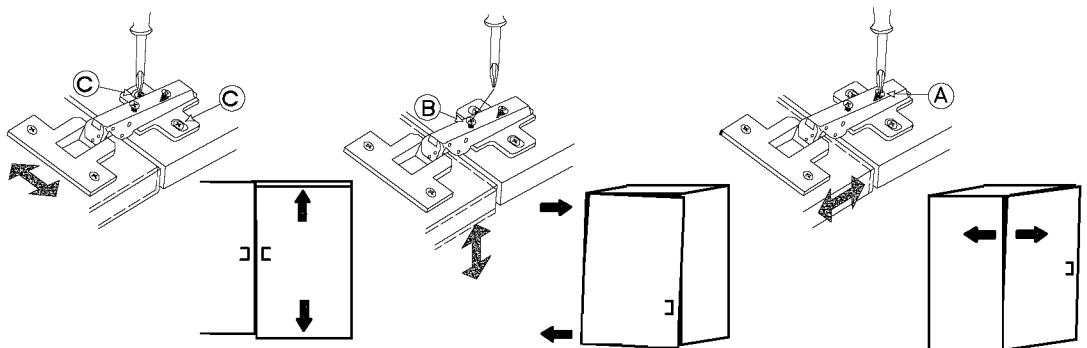
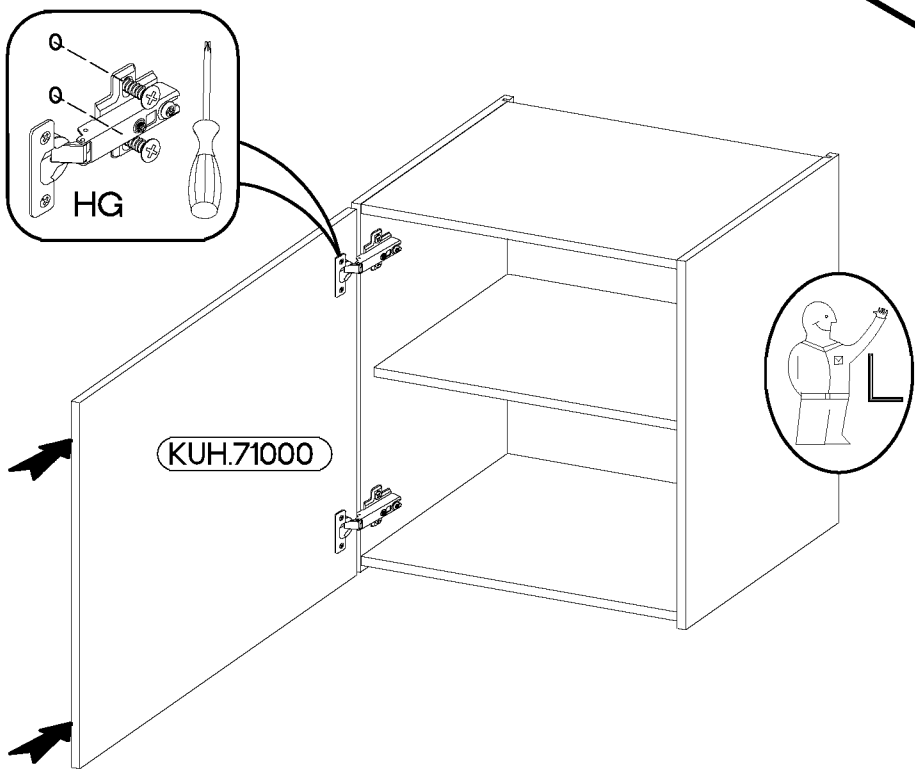
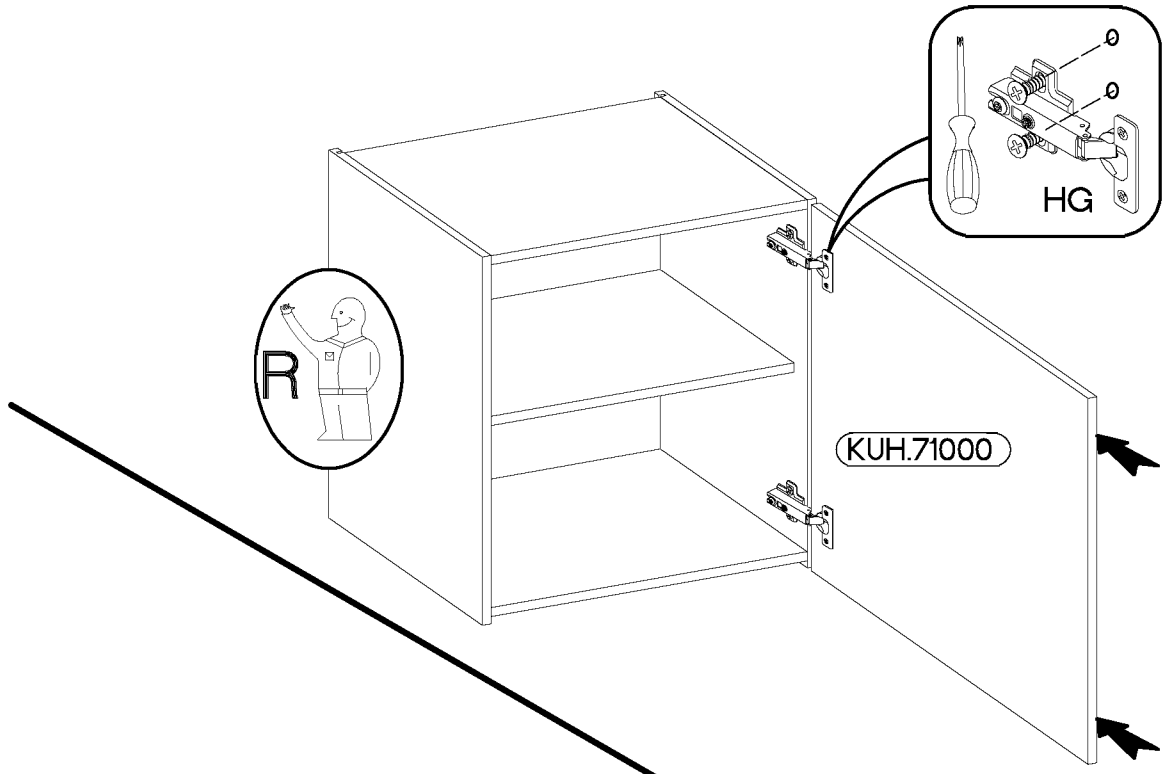
±5/16mm

J3
4

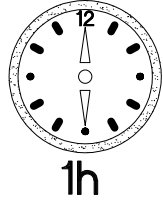
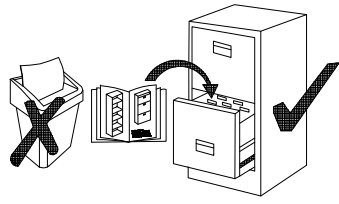
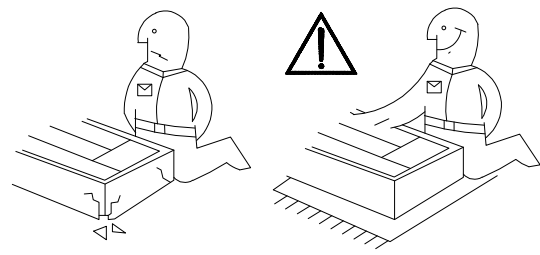
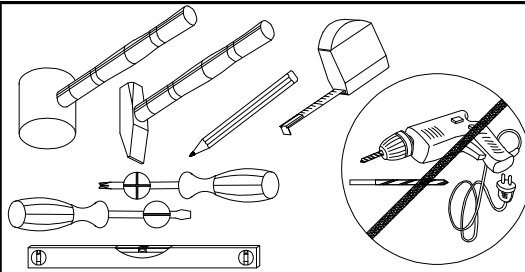
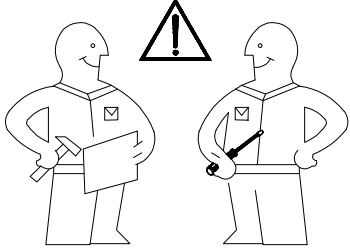


8

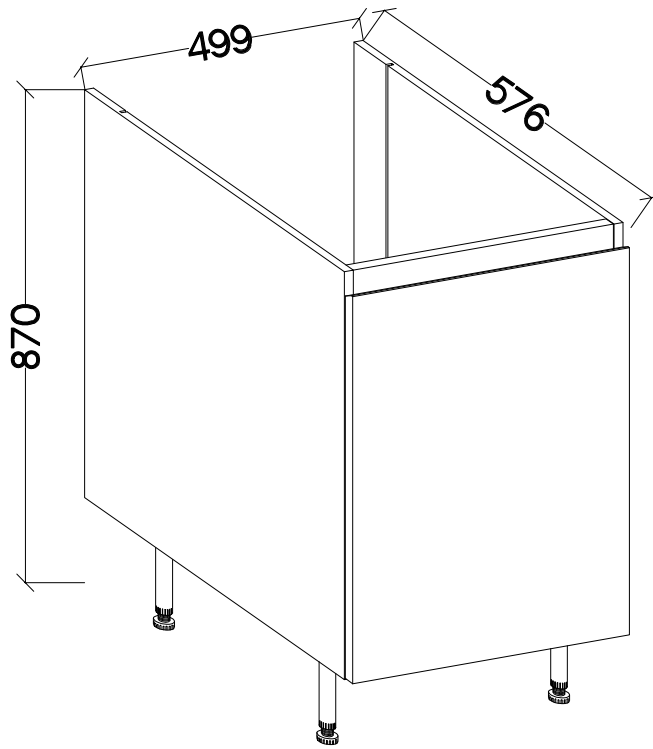
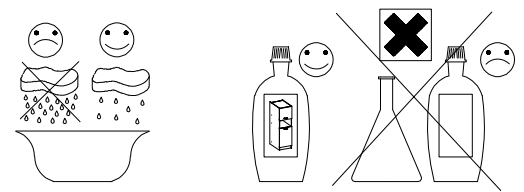
±35/0mm	±3.5x13mm
	
HG	P5
2	4

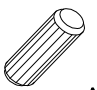
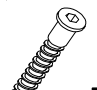



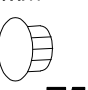

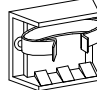

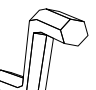

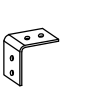




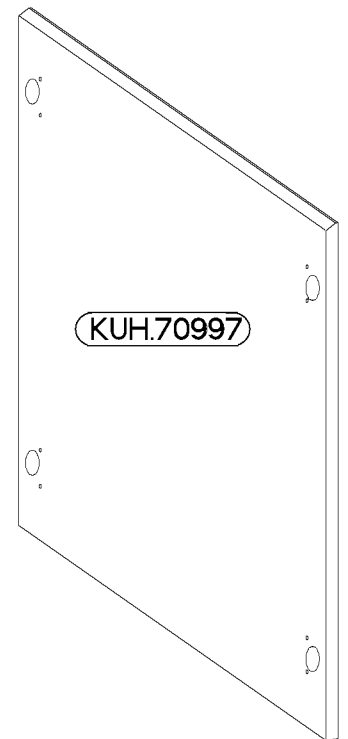
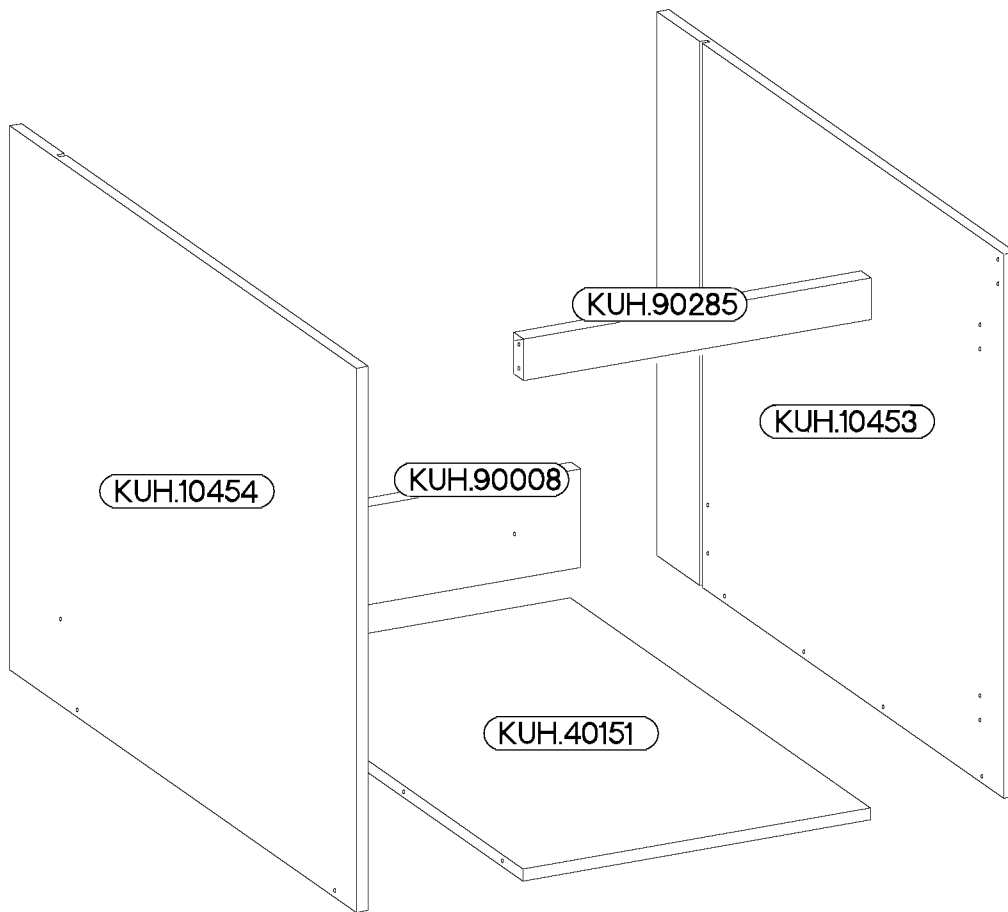


84-200-...  
ADANA  
Zeile 200  
Unterschrank 1T

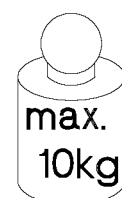


 +8x30mm A	 6,4 x 50mm B	 +15/12mm C	 L=20mm D2	 E1	 +35mm E5
8	6	2	2	6	2
 L=135-170cm F15	 F16	 +35/0mm HG	 O	 +3.5x13mm P5	 T10
4	2	2	1	32	2

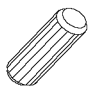
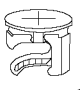
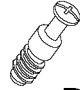
ISM-KUH-01722

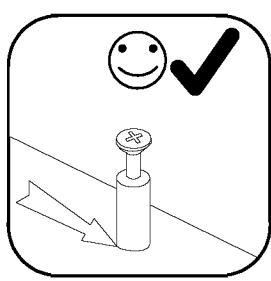
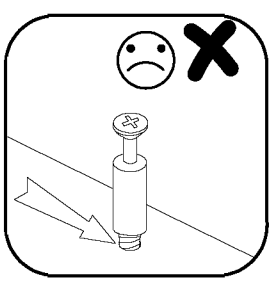
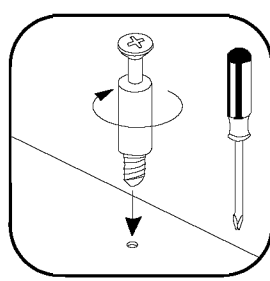
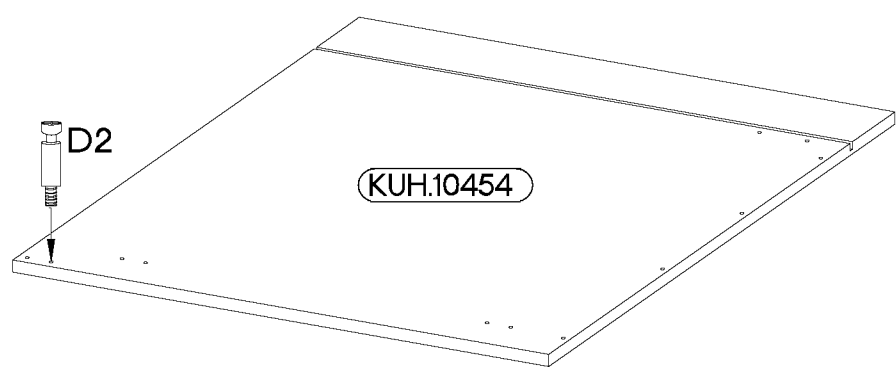
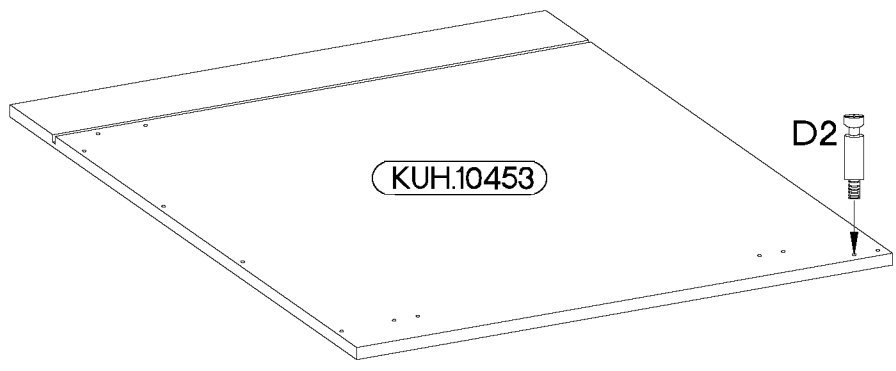
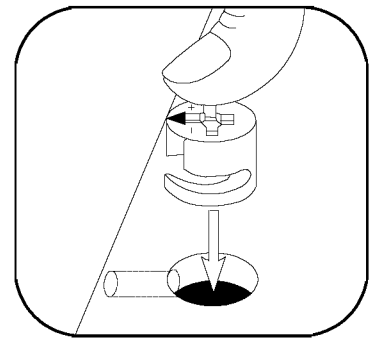
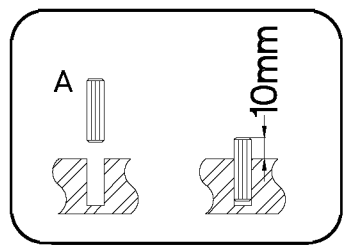
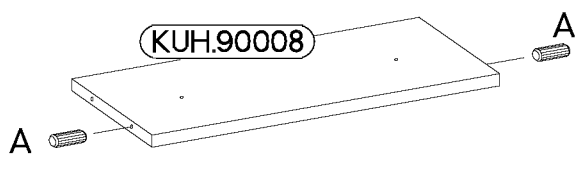
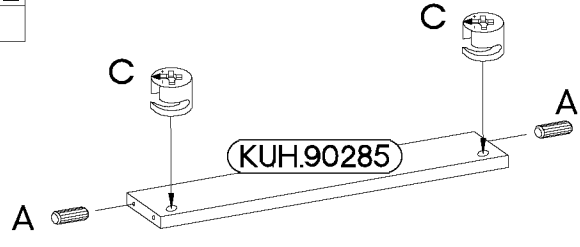
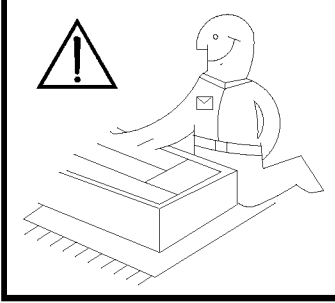


Colli	Spare Part	Dimension
Colli 3/6	KUH.10453	720x560x16
	KUH.10454	720x560x16
	KUH.40151	467x485x16
	KUH.70997	683x496x16
	KUH.90008	467x130x16
	KUH.90285	467x55x16

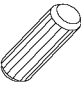
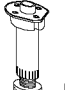



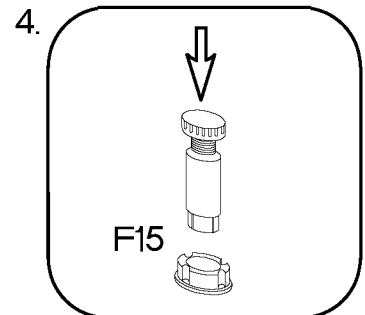
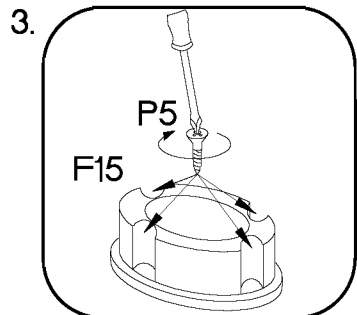
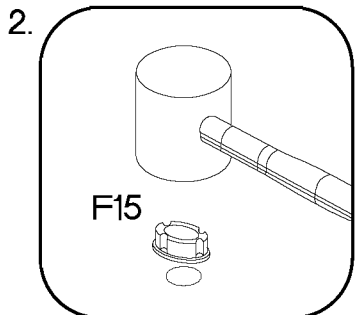
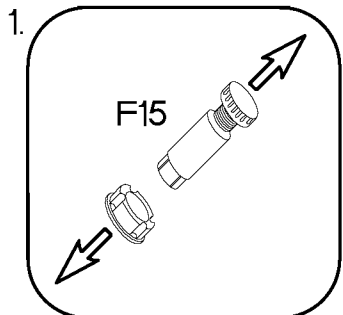
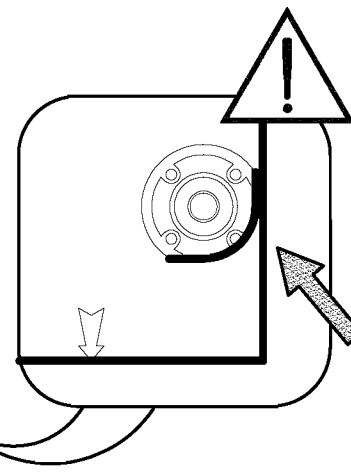
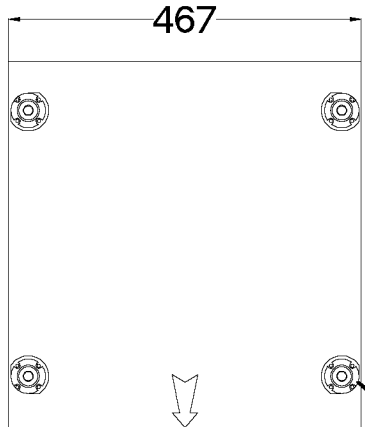
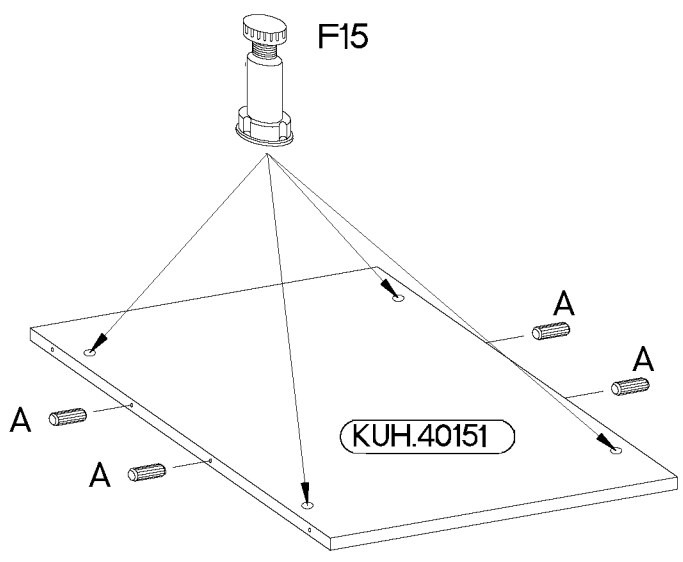
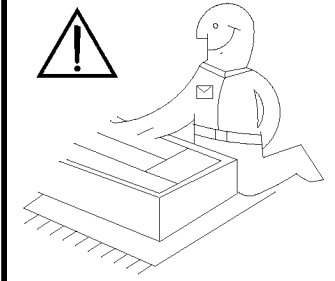
KUH.40151

$\varnothing 8 \times 30 \text{mm}$  A 4	$\varnothing 15 / 12 \text{mm}$  C 2	L=20mm  D2 2
---	---	---

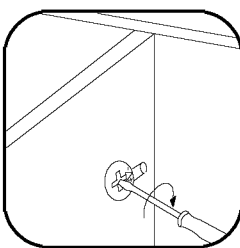
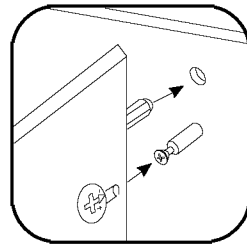
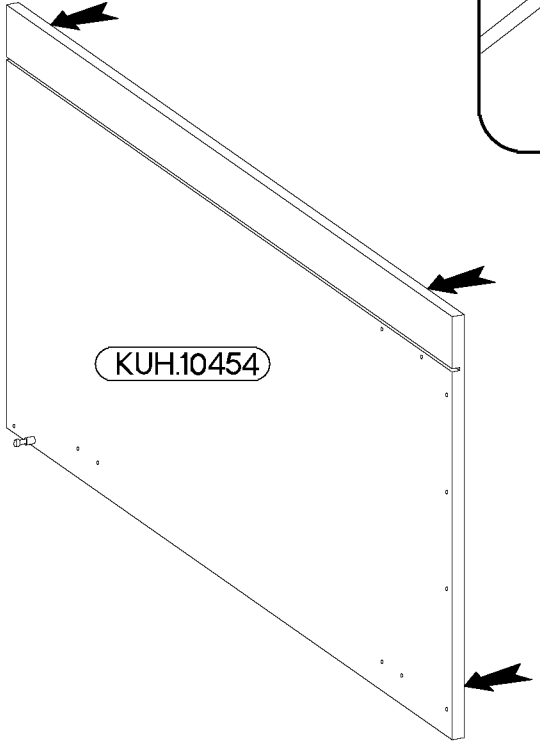
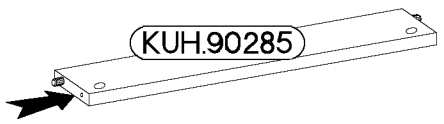


# 2

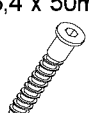
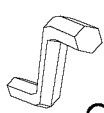

+8x30mm  A 4	L=135-170cm  F15 4	+3.5x13mm  P5 16
---	---	---

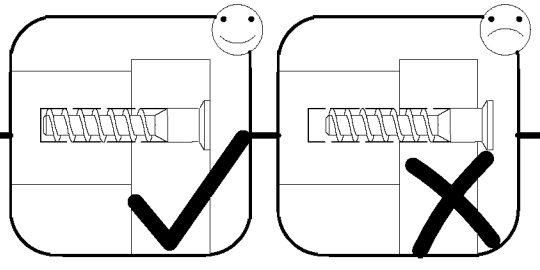
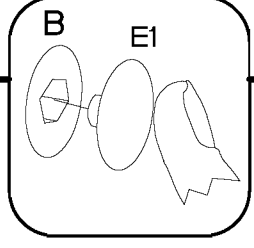
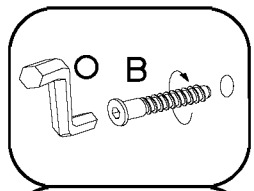
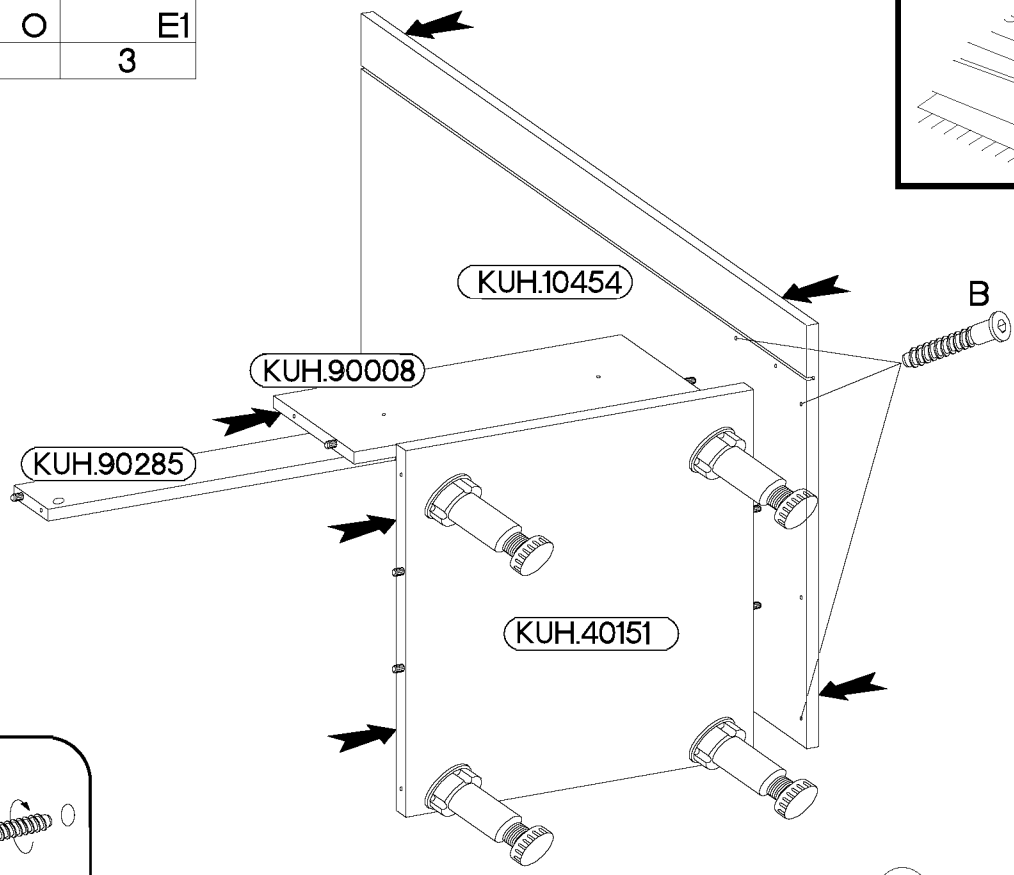
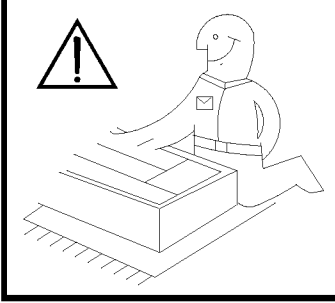


# 3

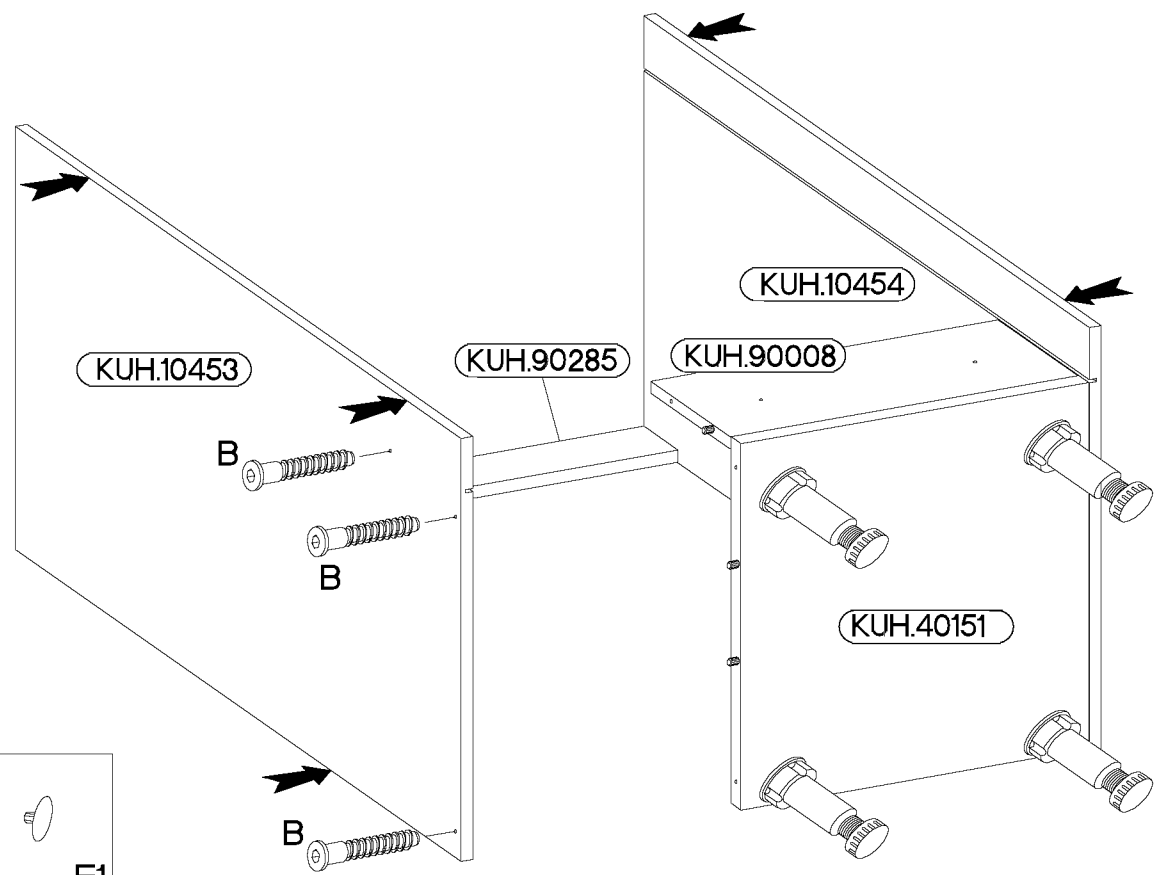
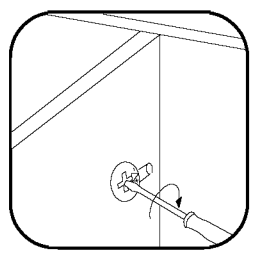
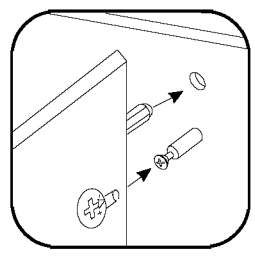


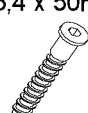
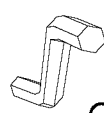

4

6,4 x 50mm		
		
B	O	E1
3	1	3



5



6,4 x 50mm		
		
B	O	E1
3	1	3

6

±3.5x13mm



P5

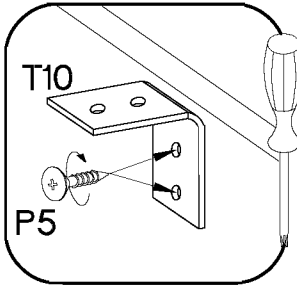
8



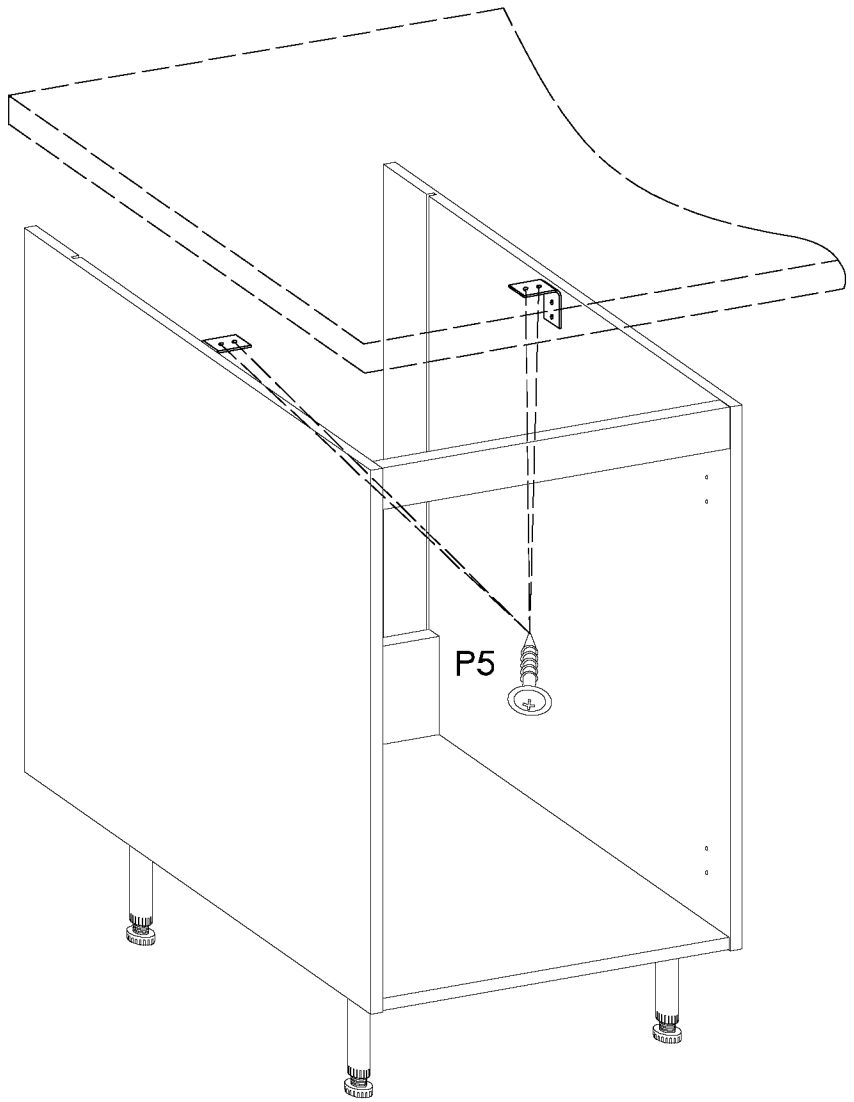
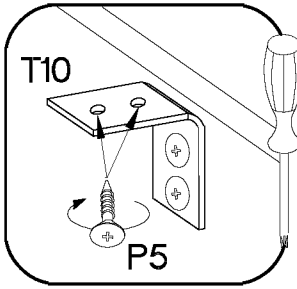
T10

2

1.



2.



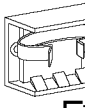
7

±3.5x13mm



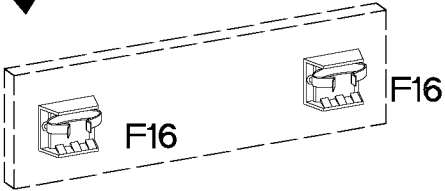
P5

4

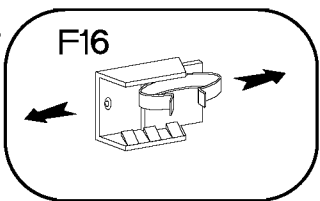


F16

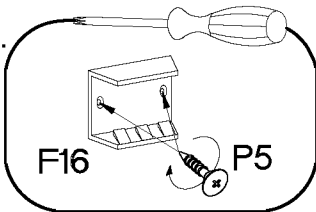
2



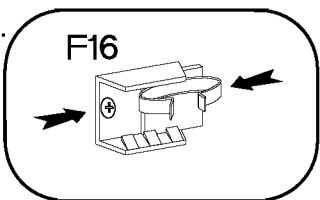
1.



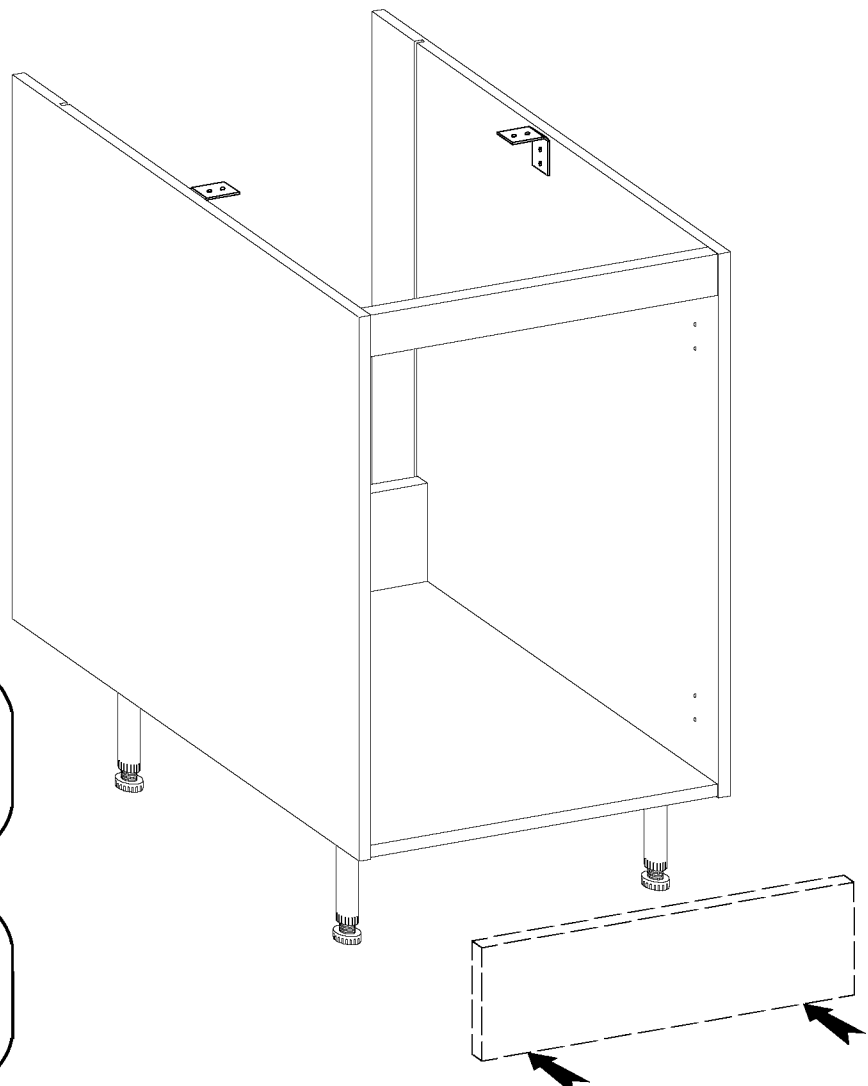
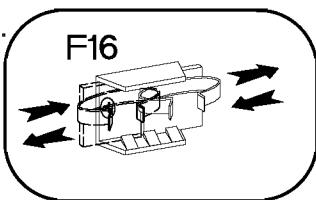
2.





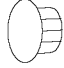
3.

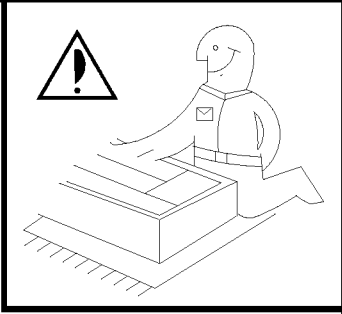


4.

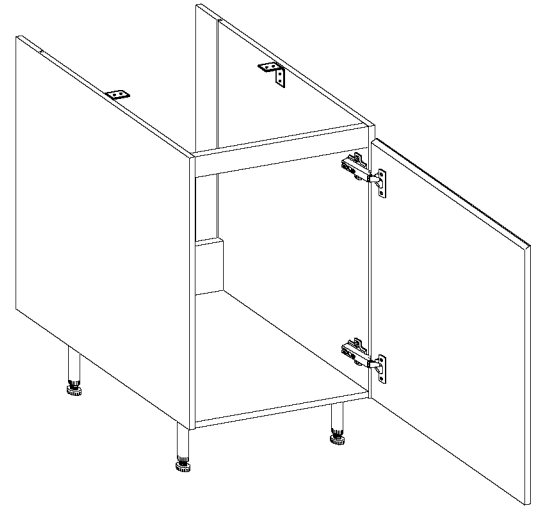
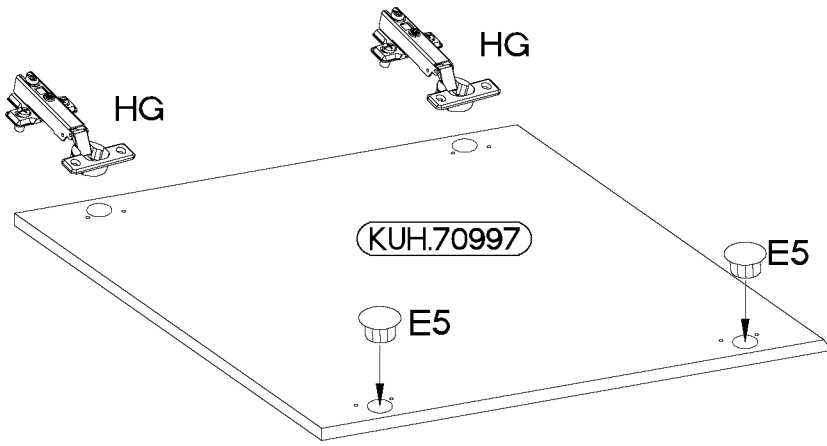




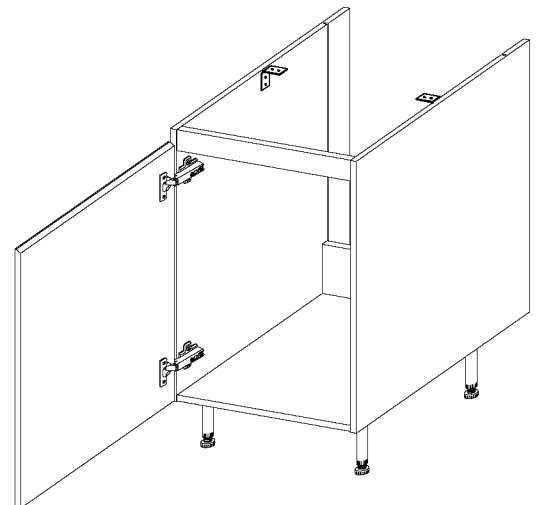
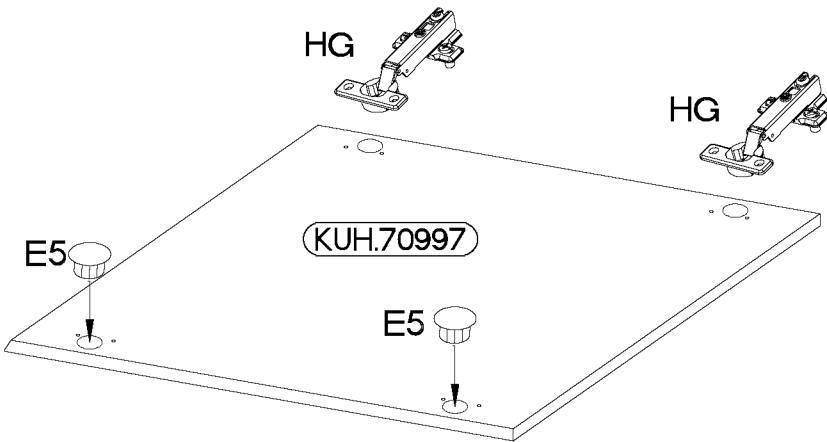
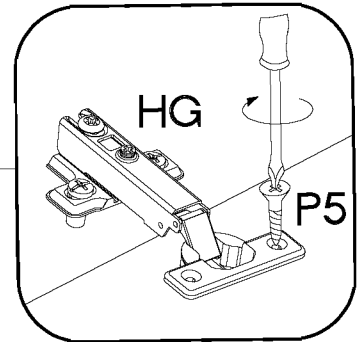
 HG 2	 P5 4	 E5 2
---	---	---

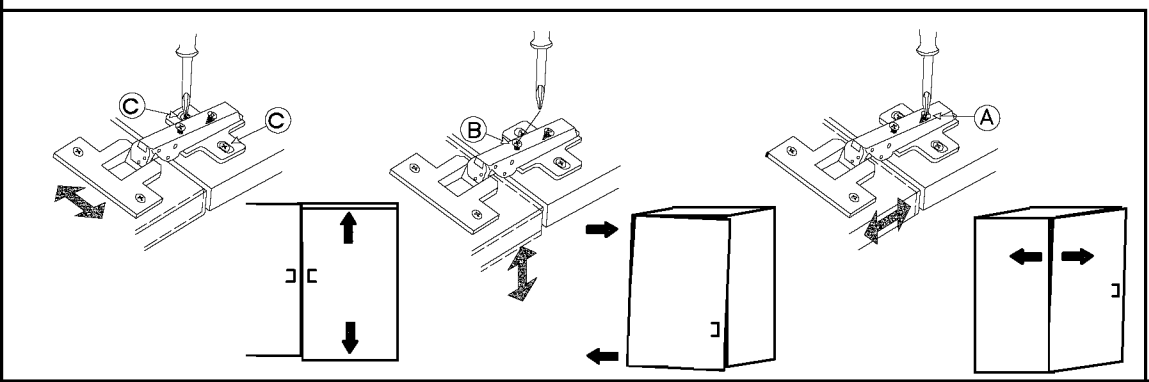
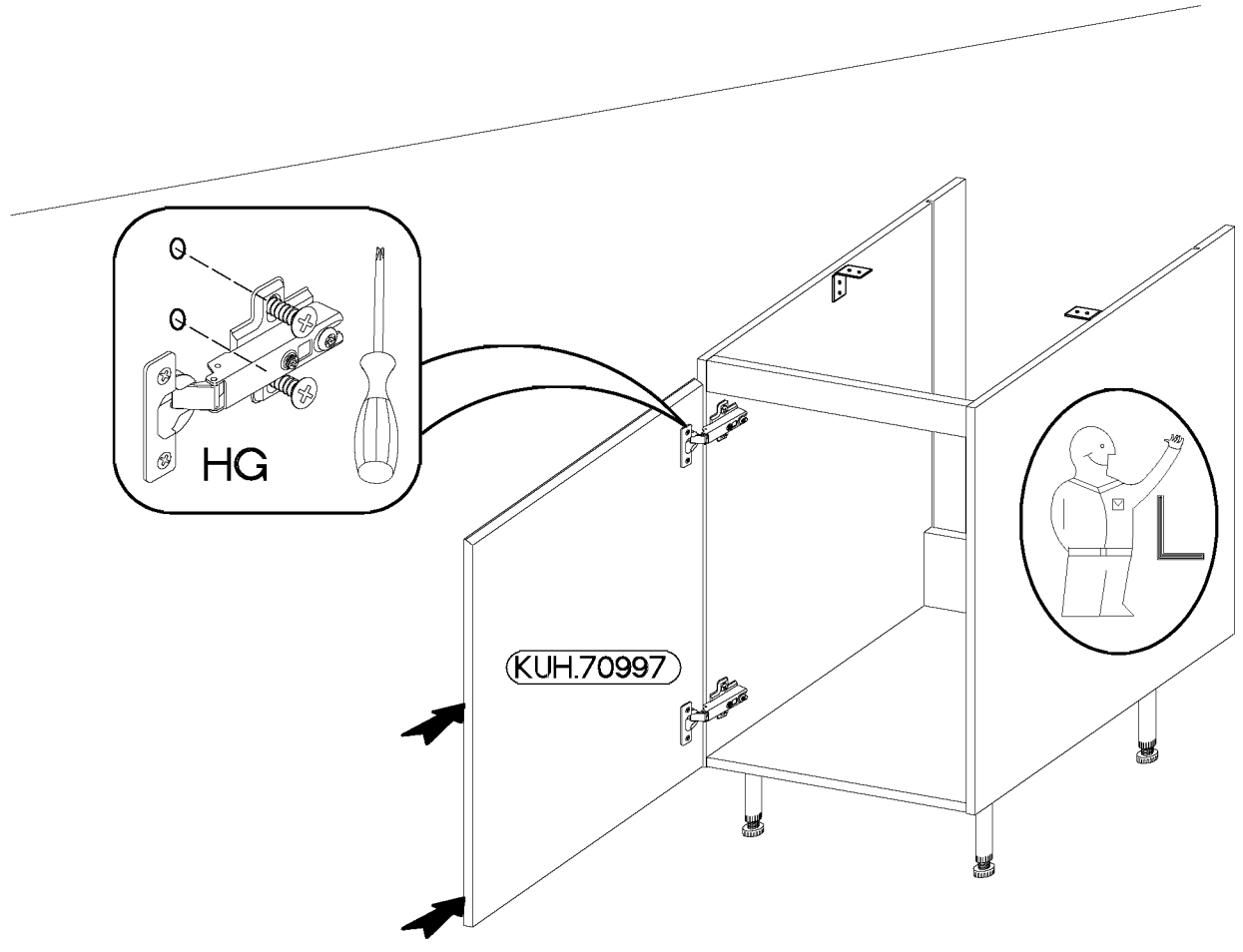
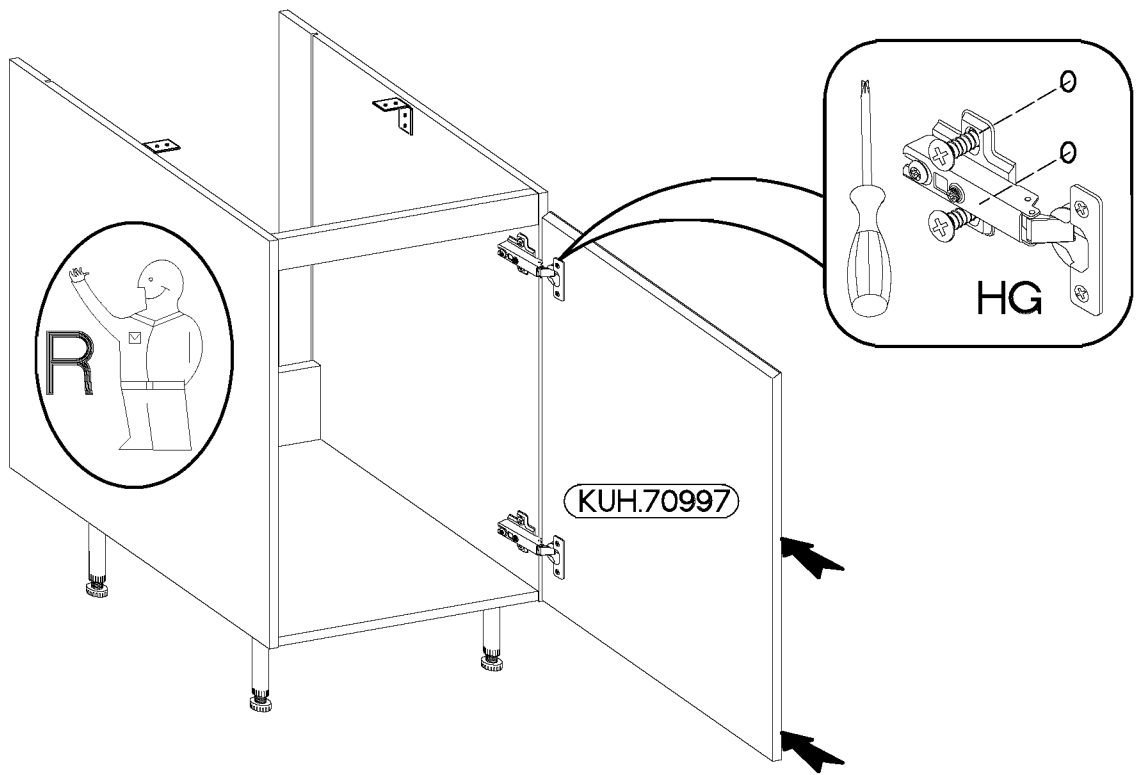


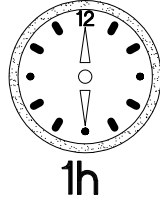
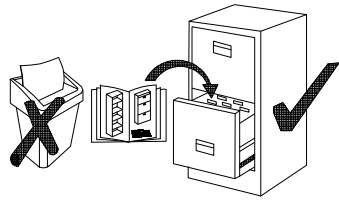
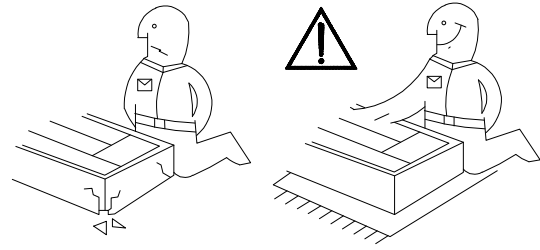
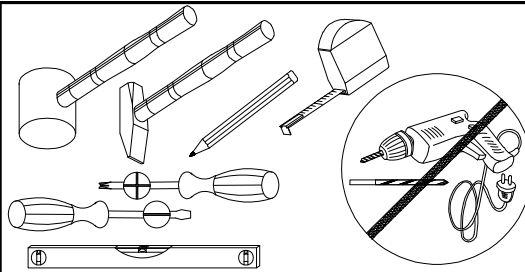
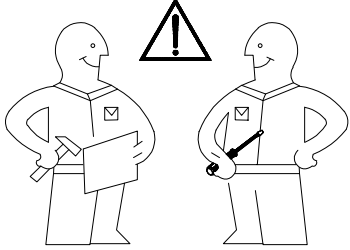
# RIGHT



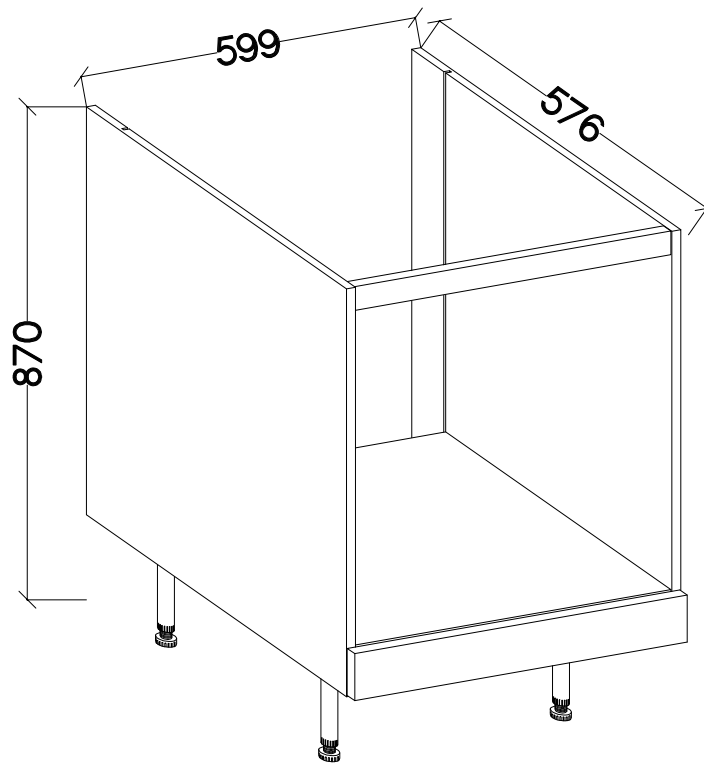
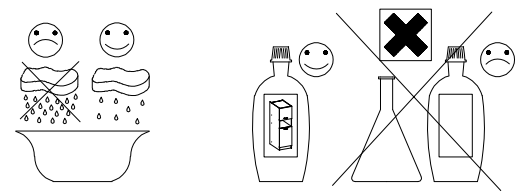
# LEFT

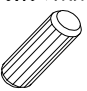


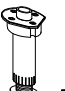

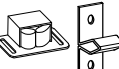
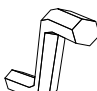



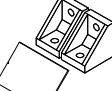




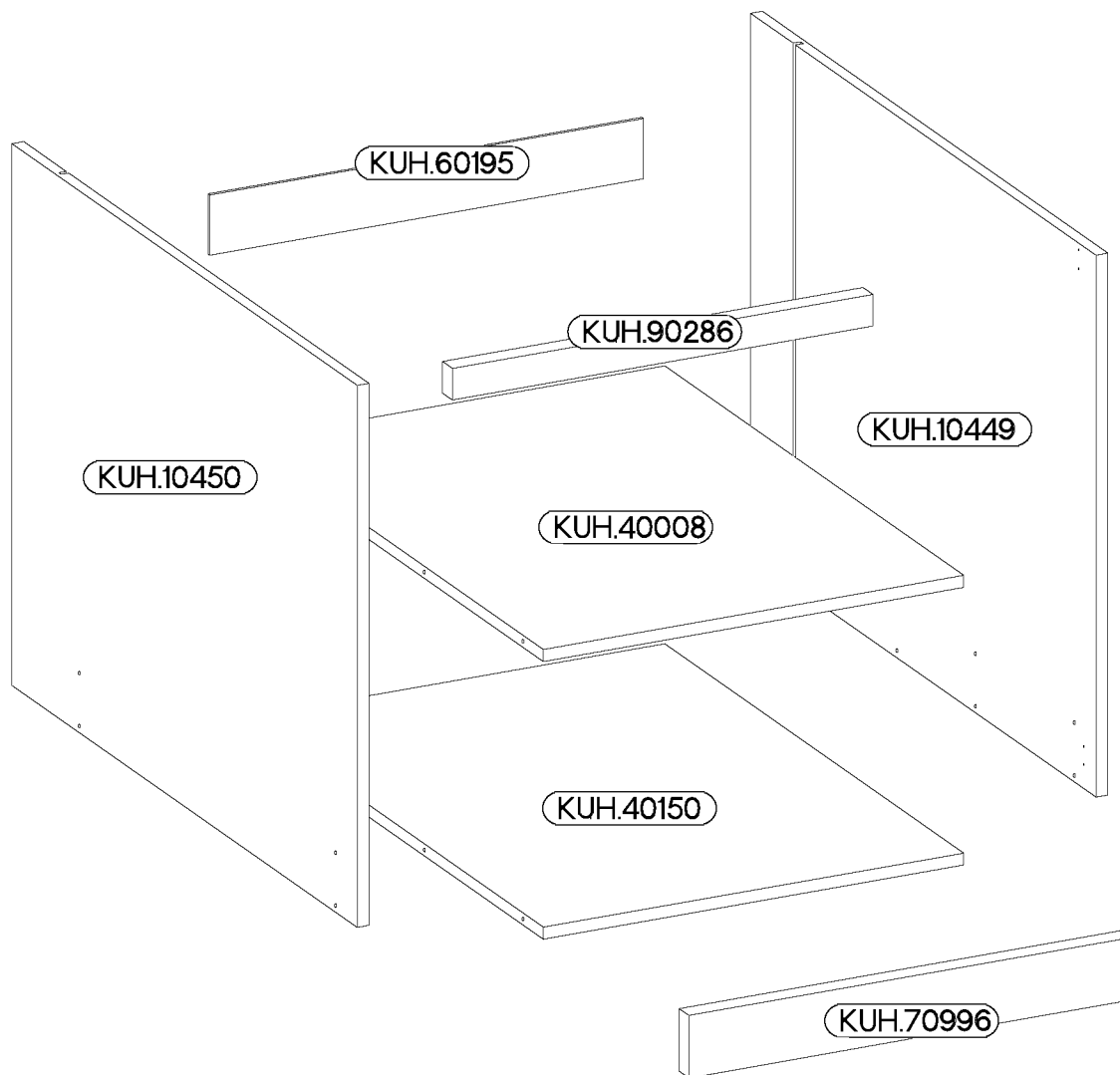


84-200-...  
ADANA  
Zeile 200  
Herdumbauschrank



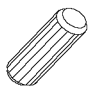
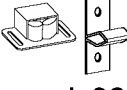

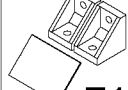

 A	 B	 E1	 F15	 F16	
8	8	8	4	2	
 L28	 O	 P1	 28	 P7	 T4
2	1	8	16	8-10	2

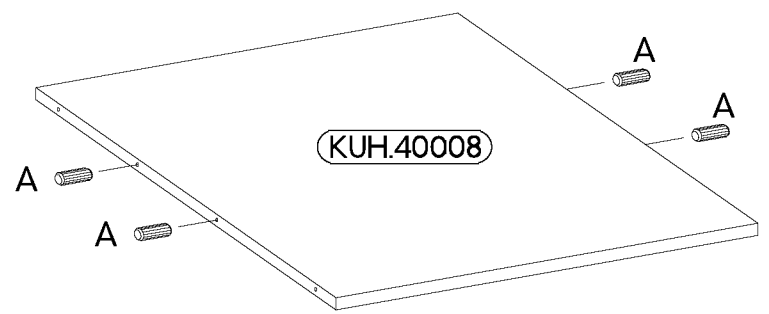
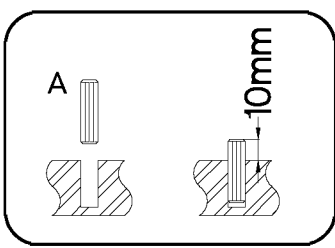
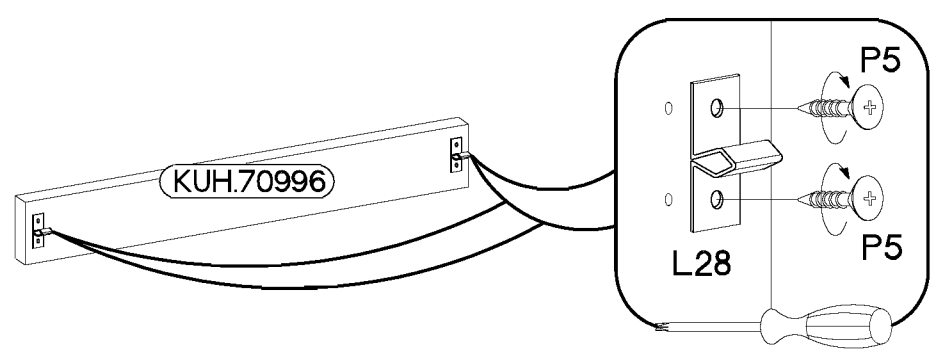
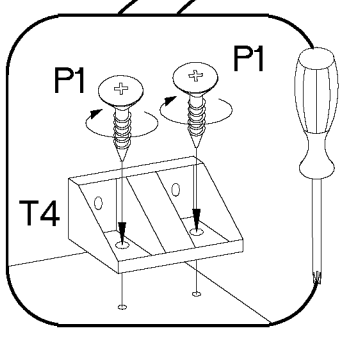
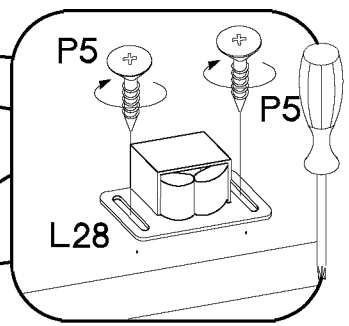
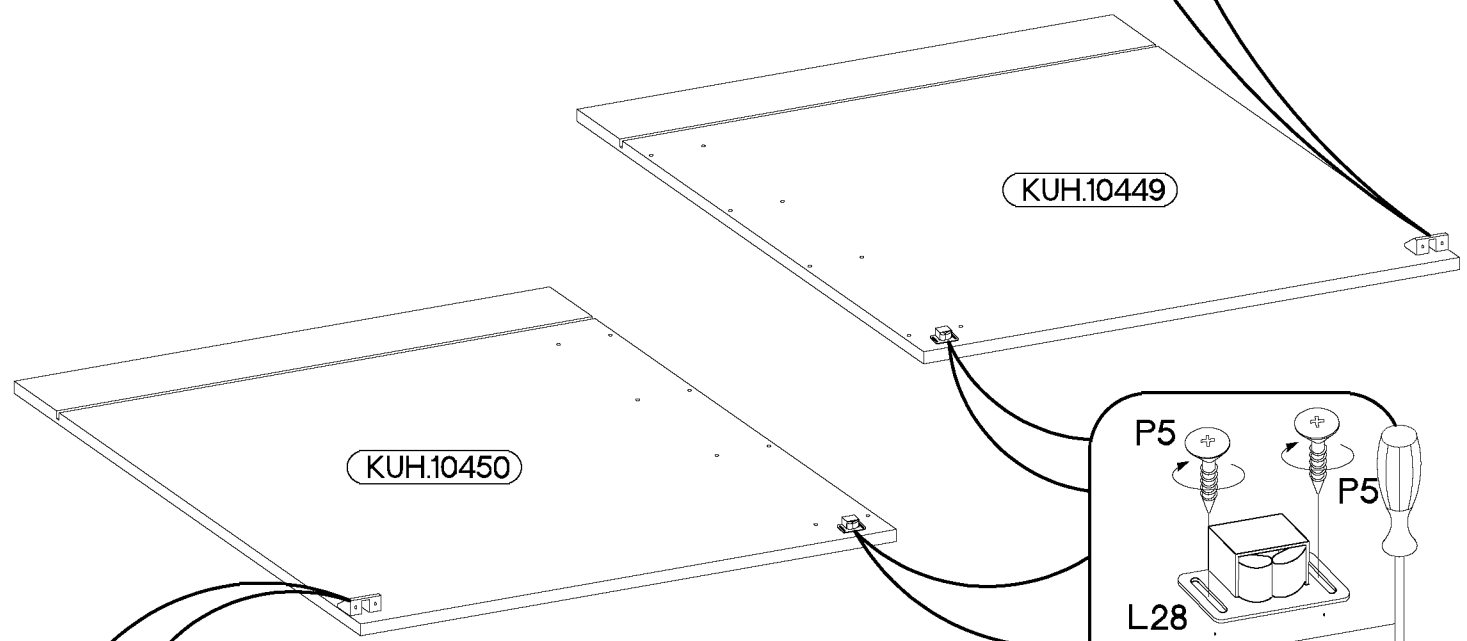
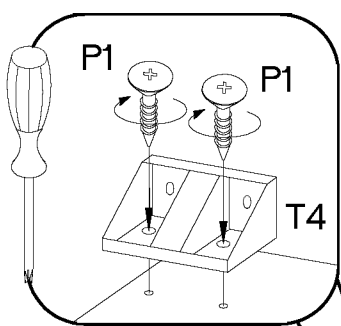
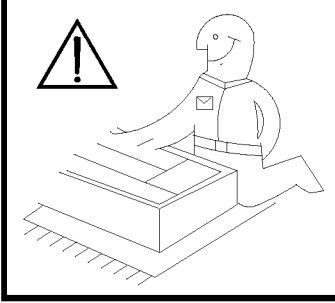
ISM-KUH-01720



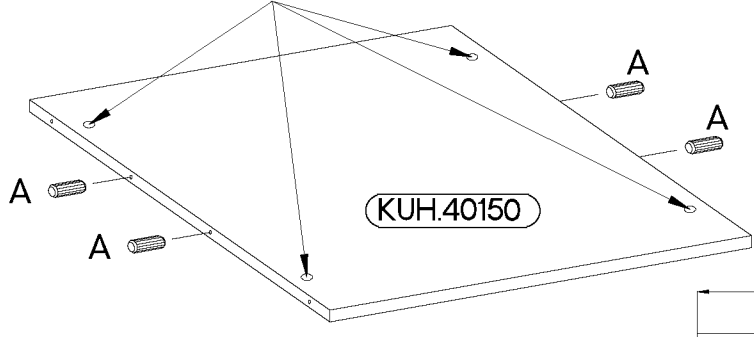
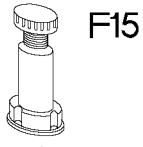
Colli	Spare Part	Dimension
Colli 2/6	KUH.10449	720x560x16
	KUH.10450	720x560x16
	KUH.40008	567x485x16
	KUH.40150	567x485x16
	KUH.60195	80x585x2,5
	KUH.70996	596x83x16
	KUH.90286	567x42x16

1

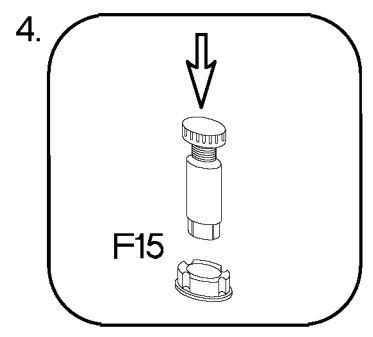
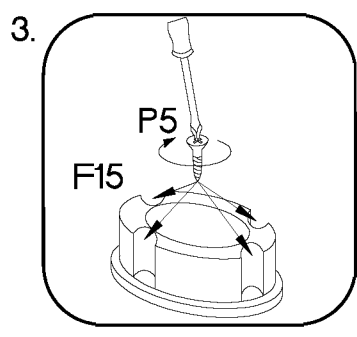
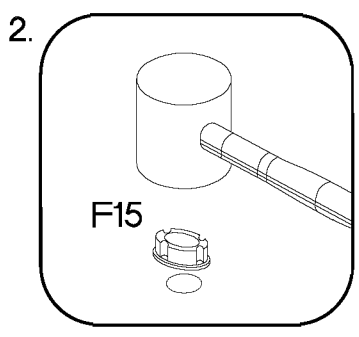
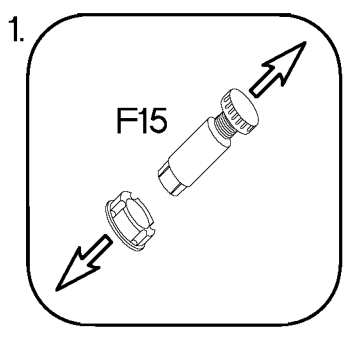
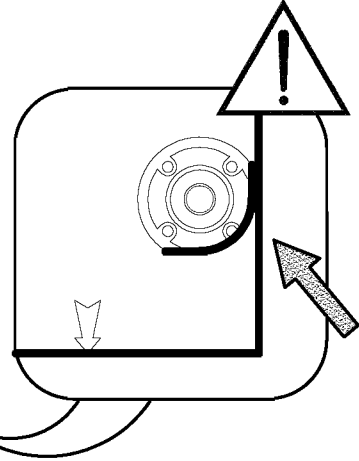
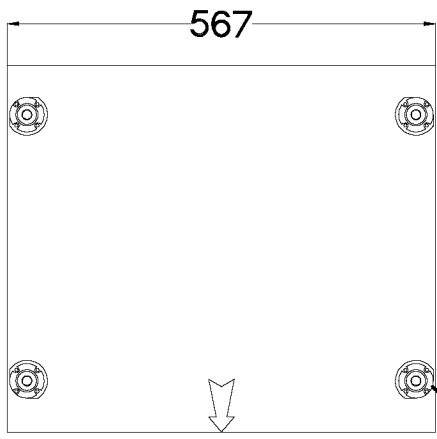
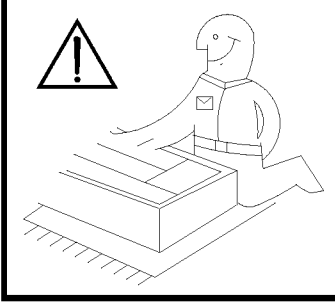
 +8x30mm A	 L28	 +3.5x13mm P5	 T4	 +4.0x16mm P1
4	2	8	2	4



2

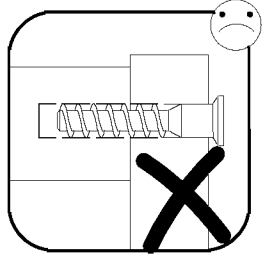
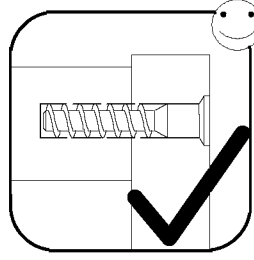
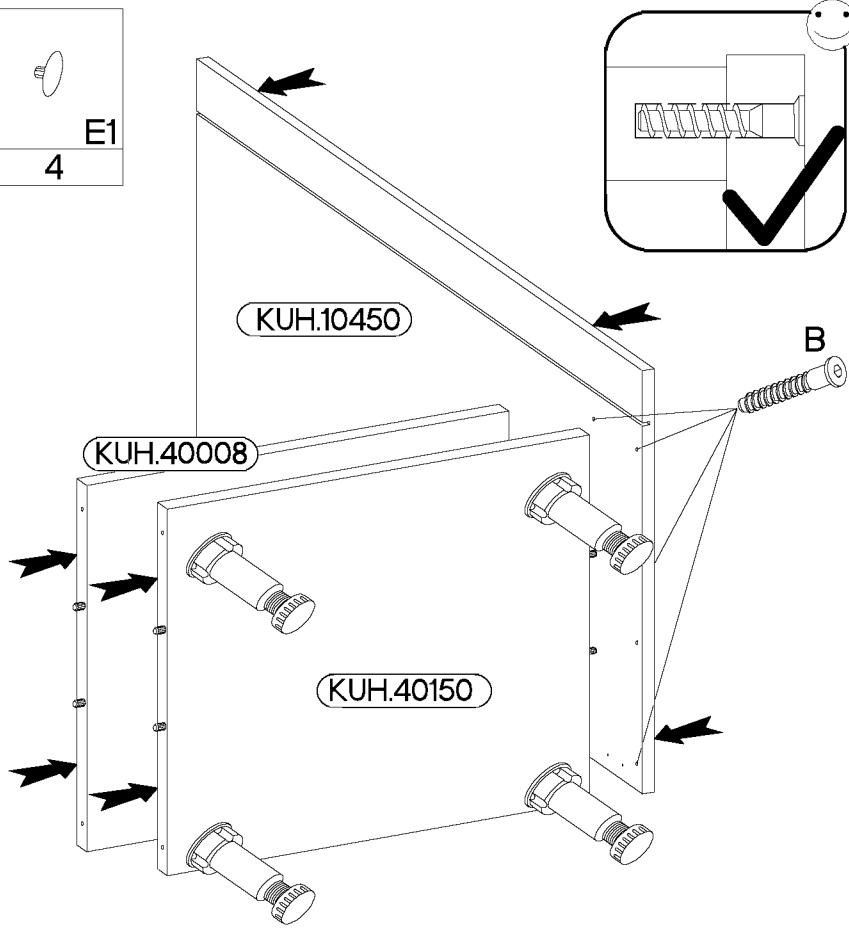
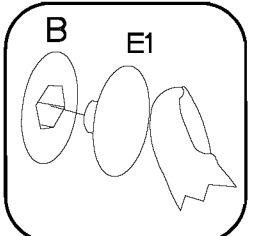
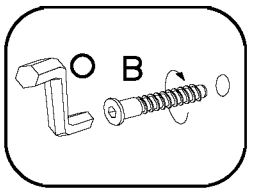


L=135-170cm  F15 4	+3.5x13mm  P5 16	+8x30mm  A 4
-----------------------------	---------------------------	-----------------------



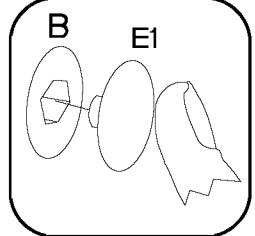
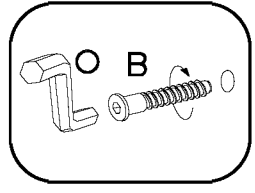
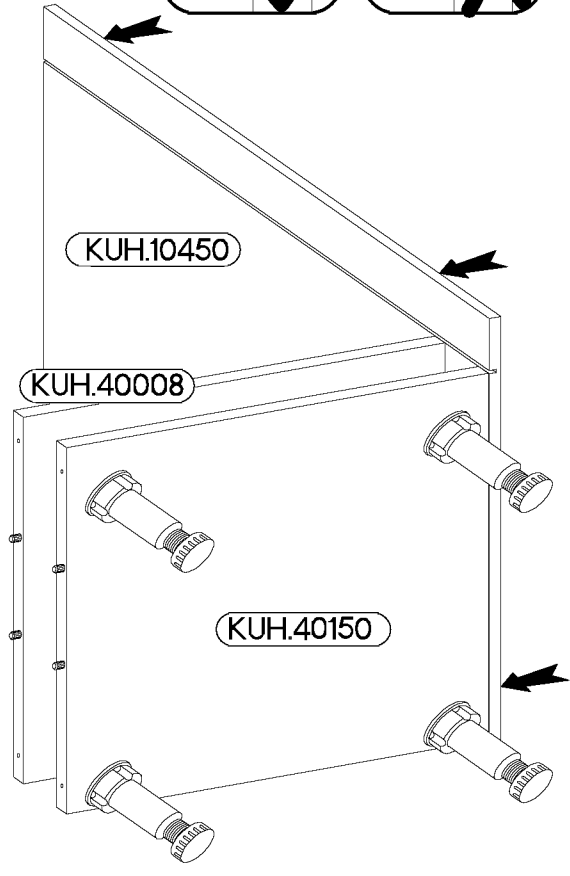
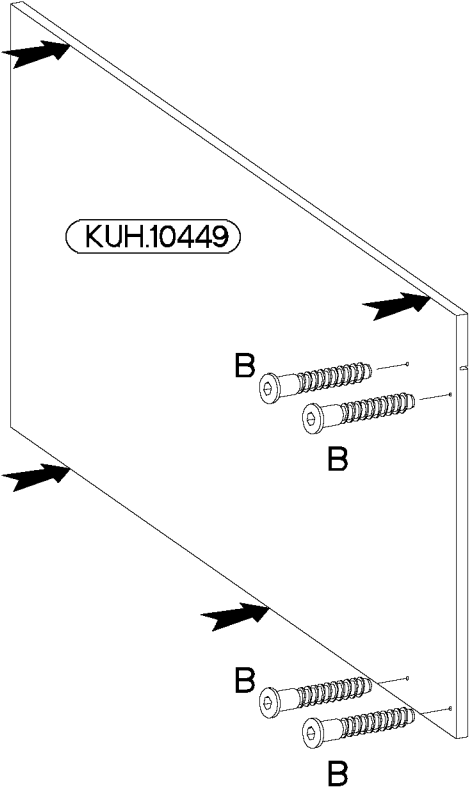
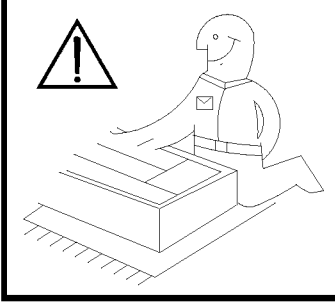
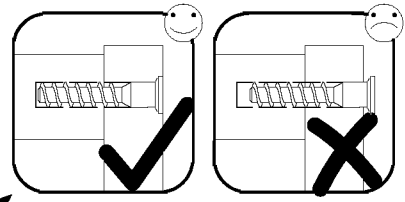
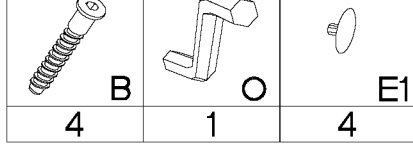
3

6.4 x 50mm  B 4	 O 1	 E1 4
--------------------------	------------	-------------



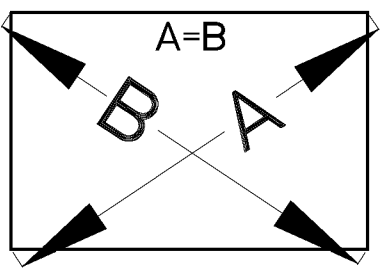
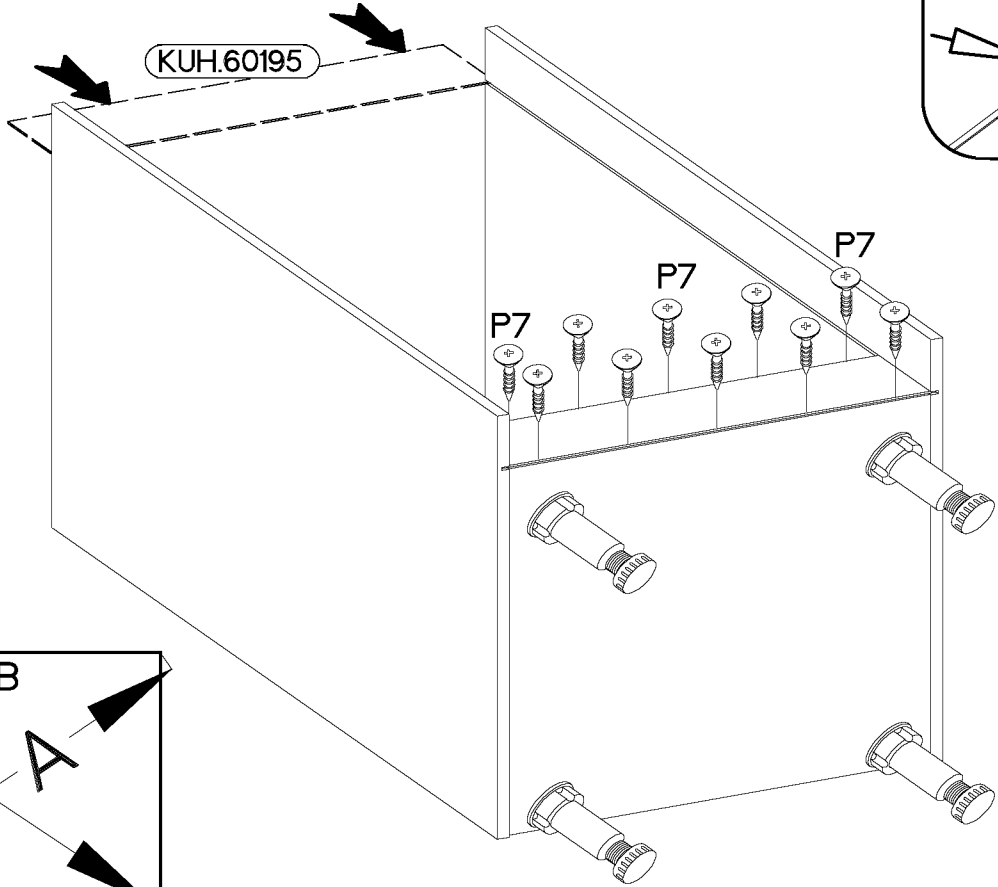
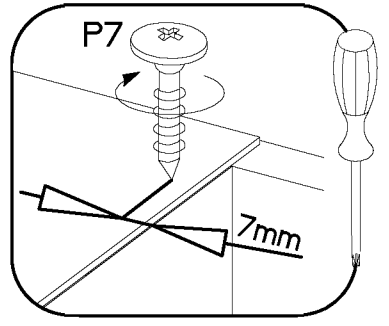
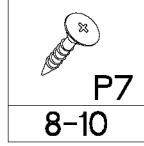
4

6,4 x 50mm



5

±3.0x20mm



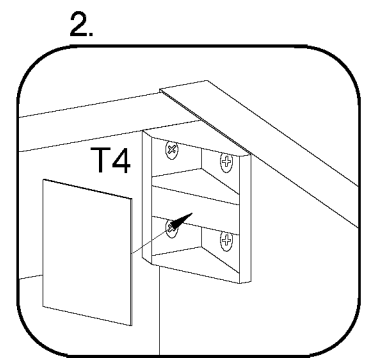
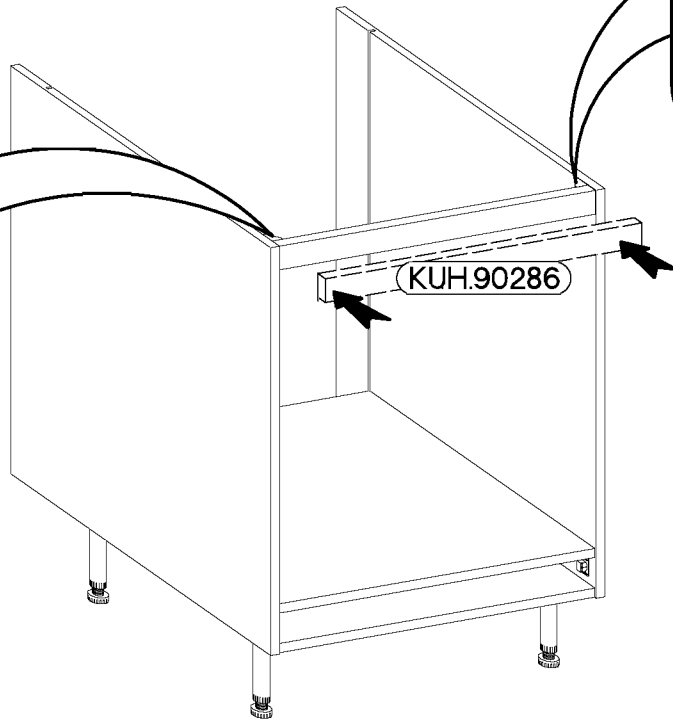
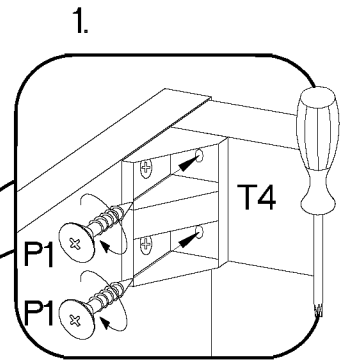
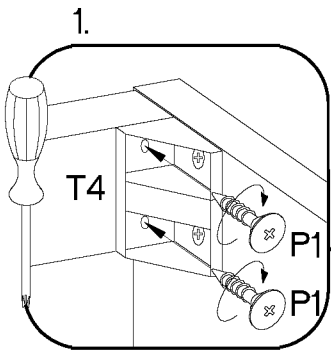
6

±4.0x16mm

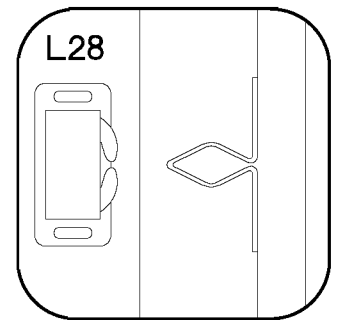
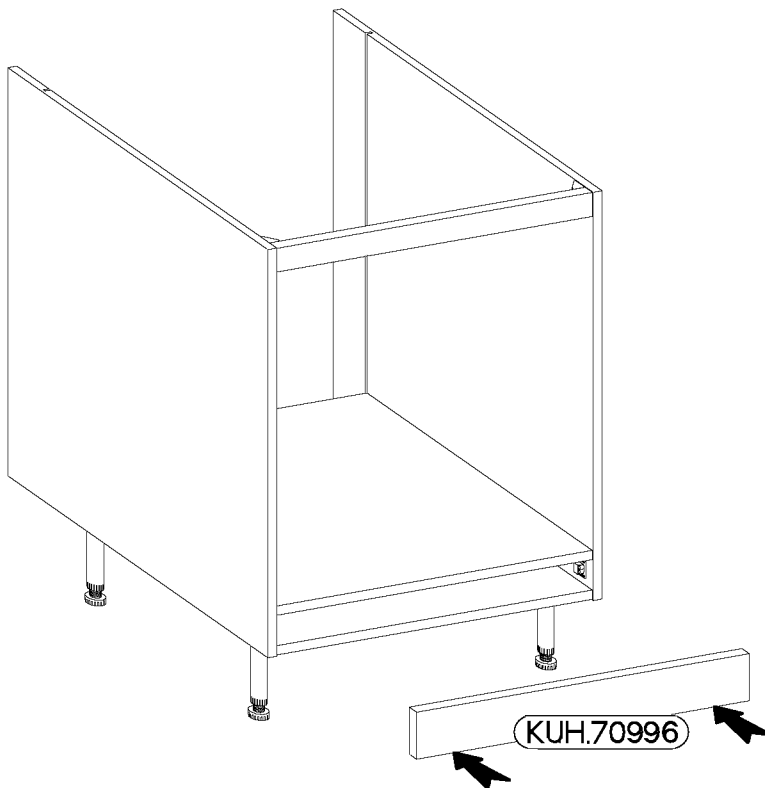


P1

4



7



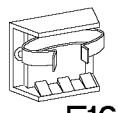


±3.5x13mm



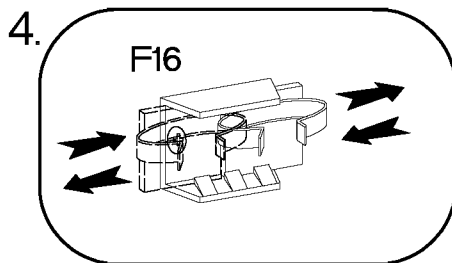
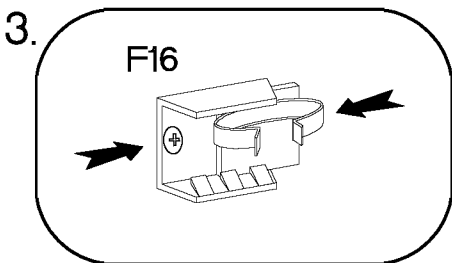
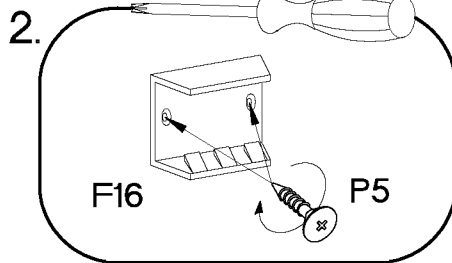
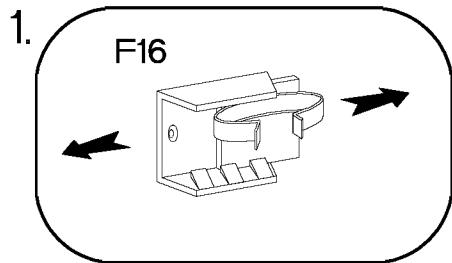
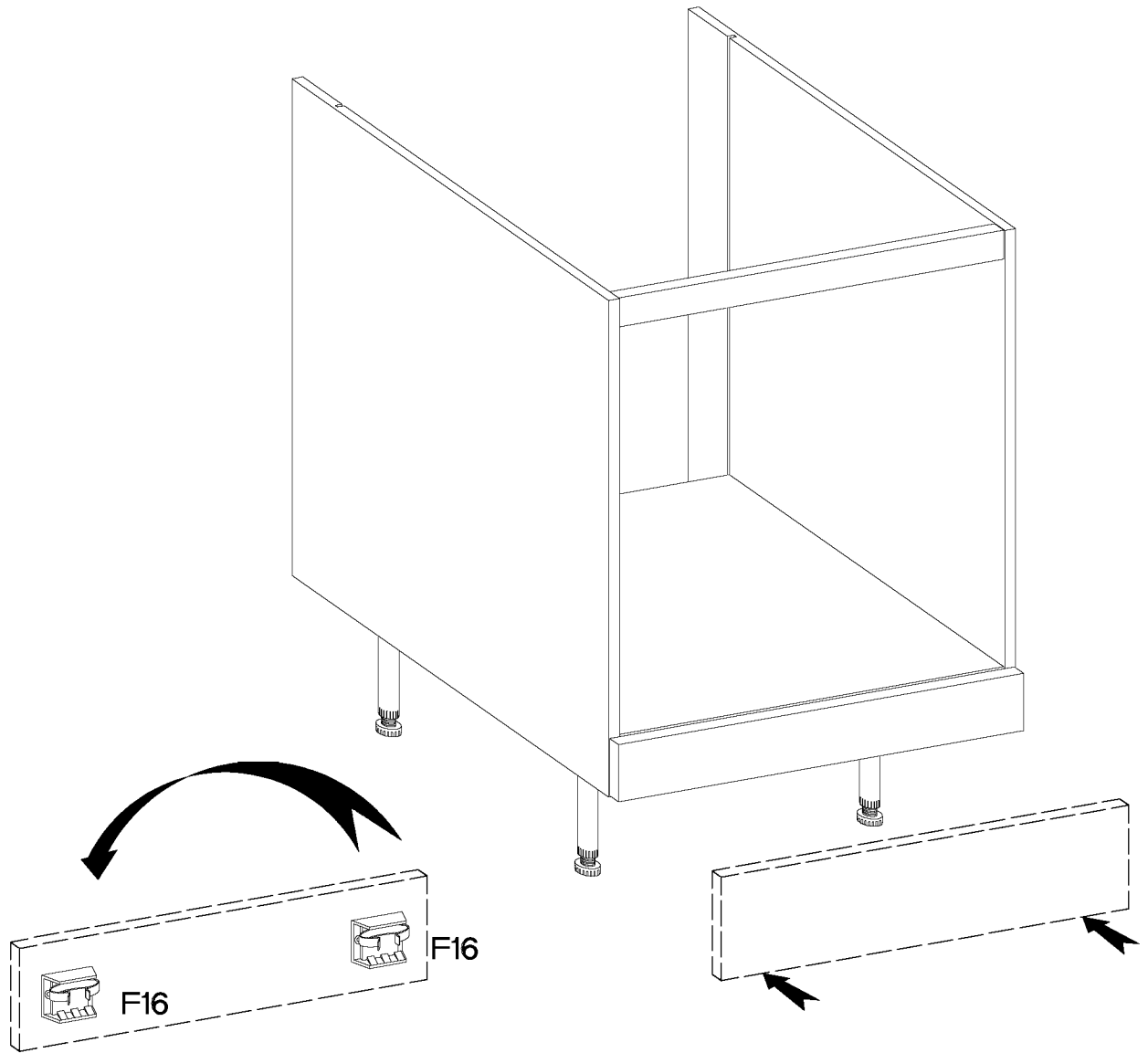
P5

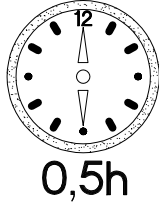
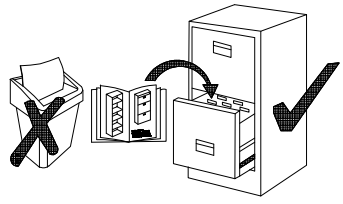
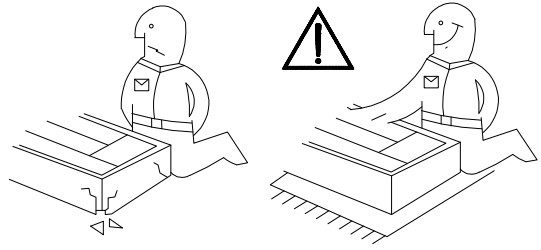
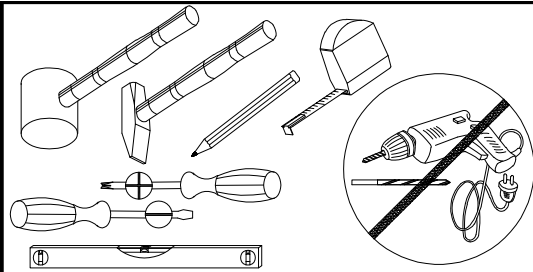
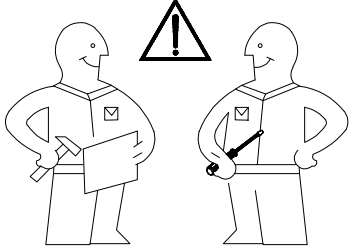
4



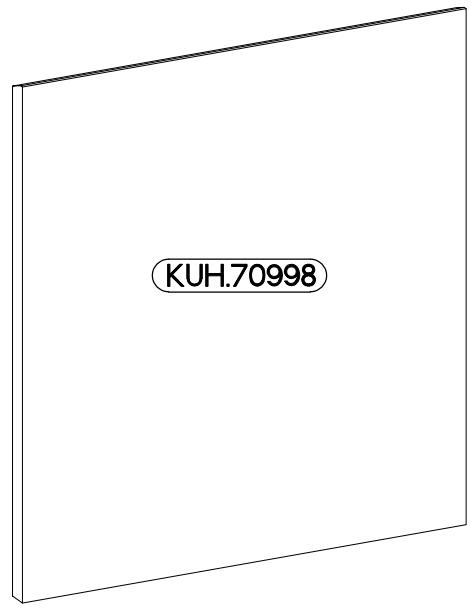
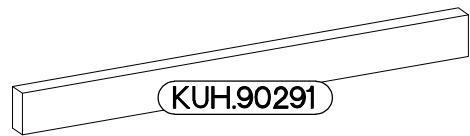
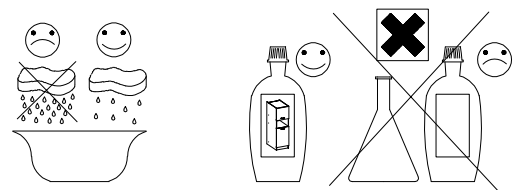
F16

2





84-200-...  
ADANA  
Zeile 200  
Geschirrspüler Umbau

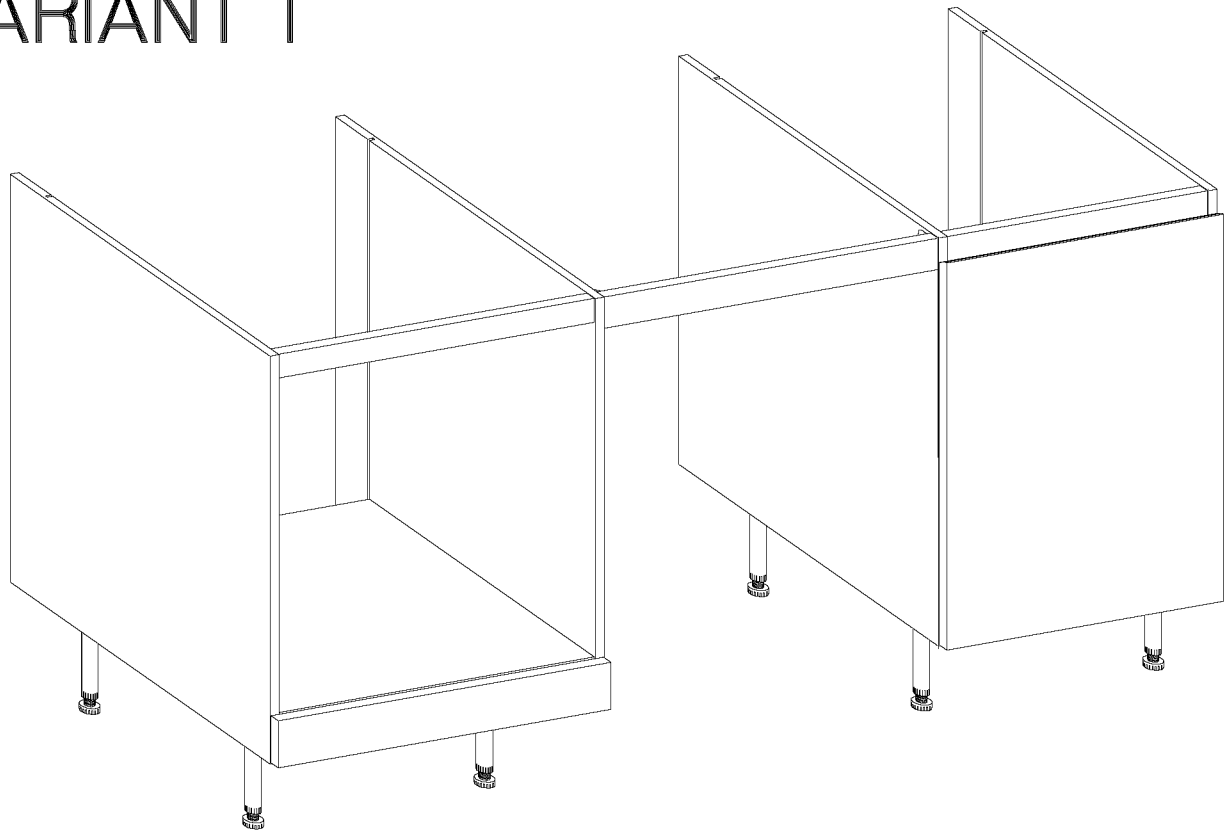


	4.0x16mm
T4	P1
2	8

Colli	Spare Part	Dimension
Colli 2/6	KUH.70998	683x596x16
	KUH.90291	599x55x16

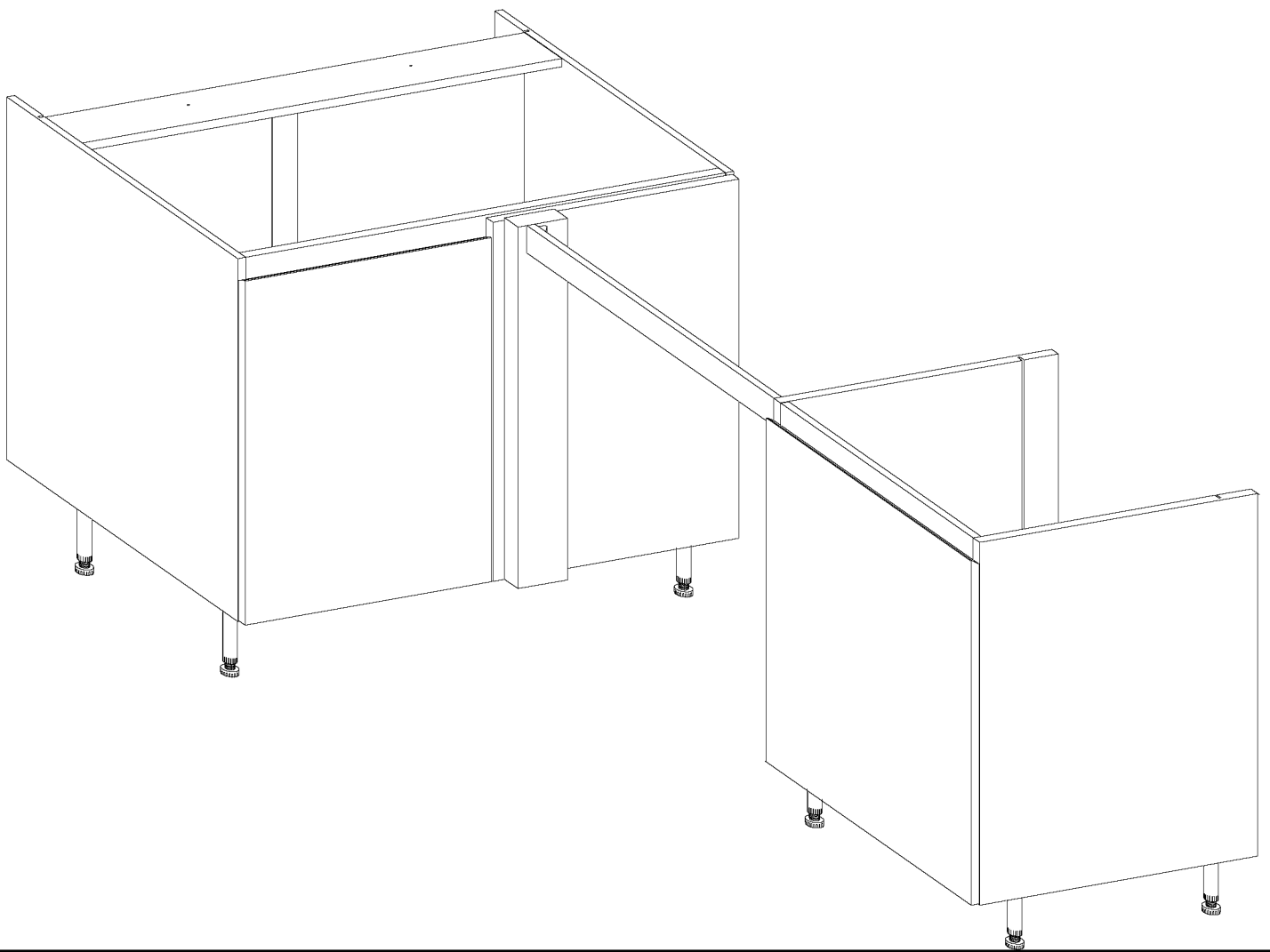
ISM-KUH-01721

# VARIANT 1



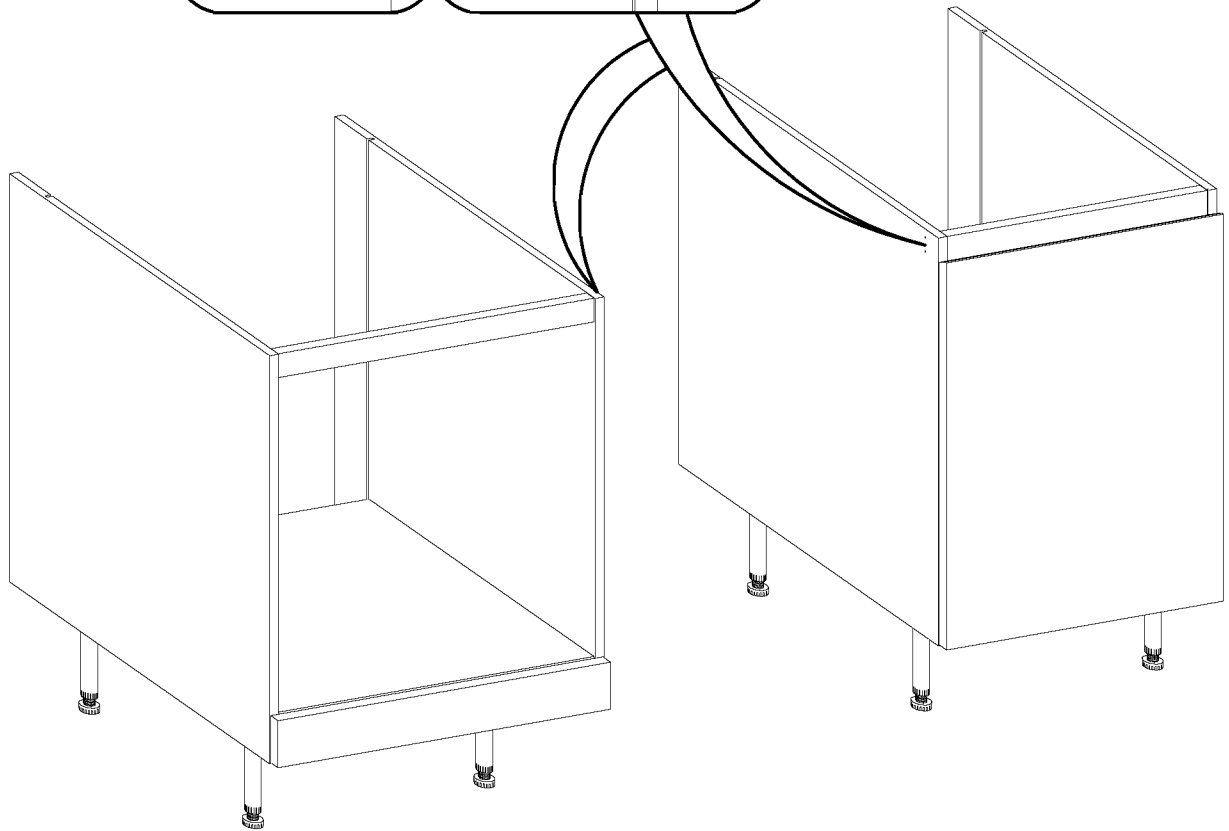
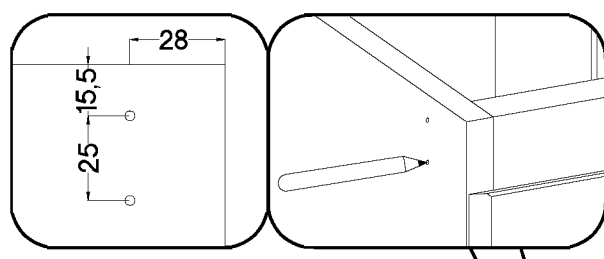
---

# VARIANT 2

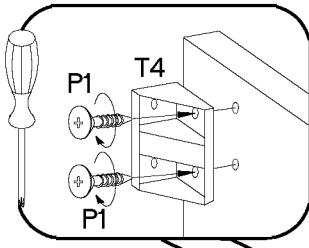


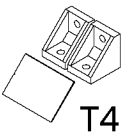
1

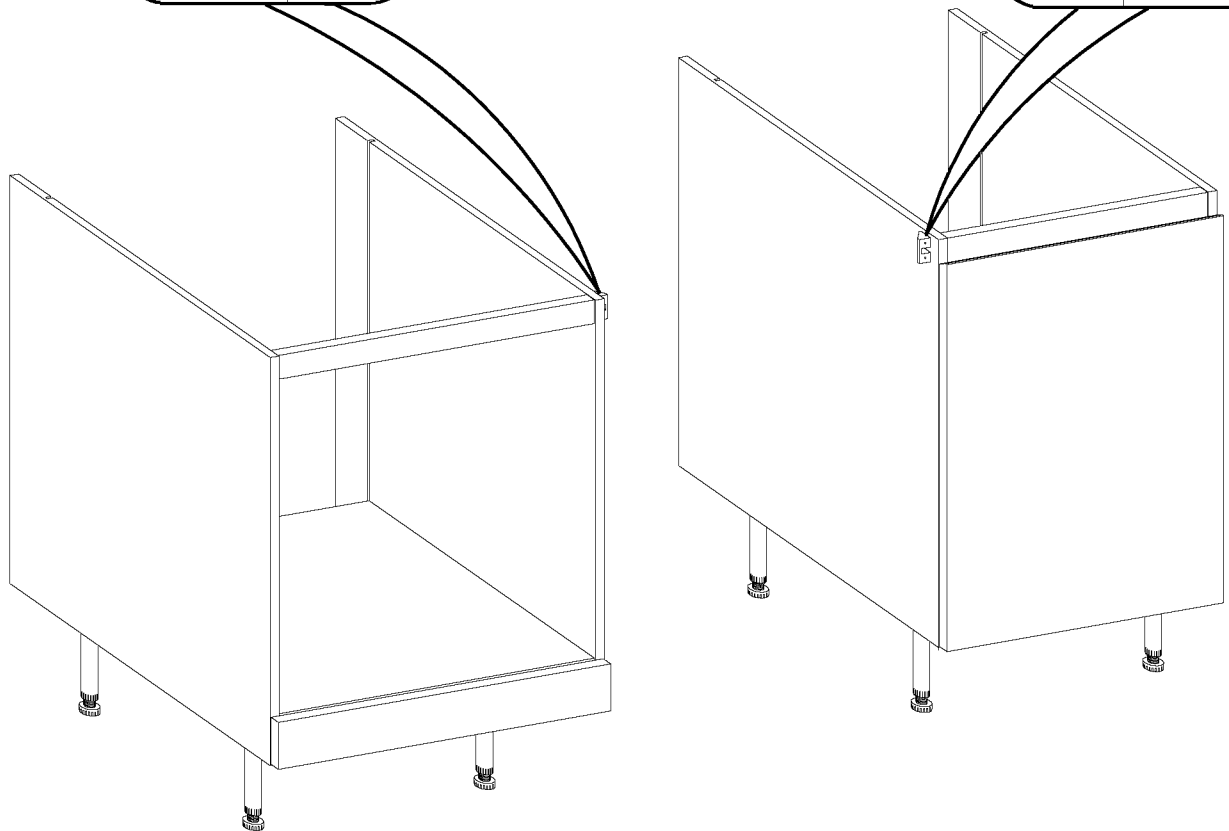
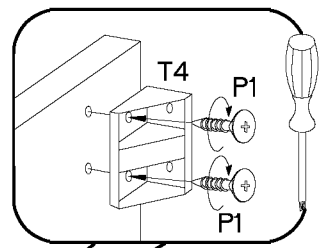
# VARIANT 1



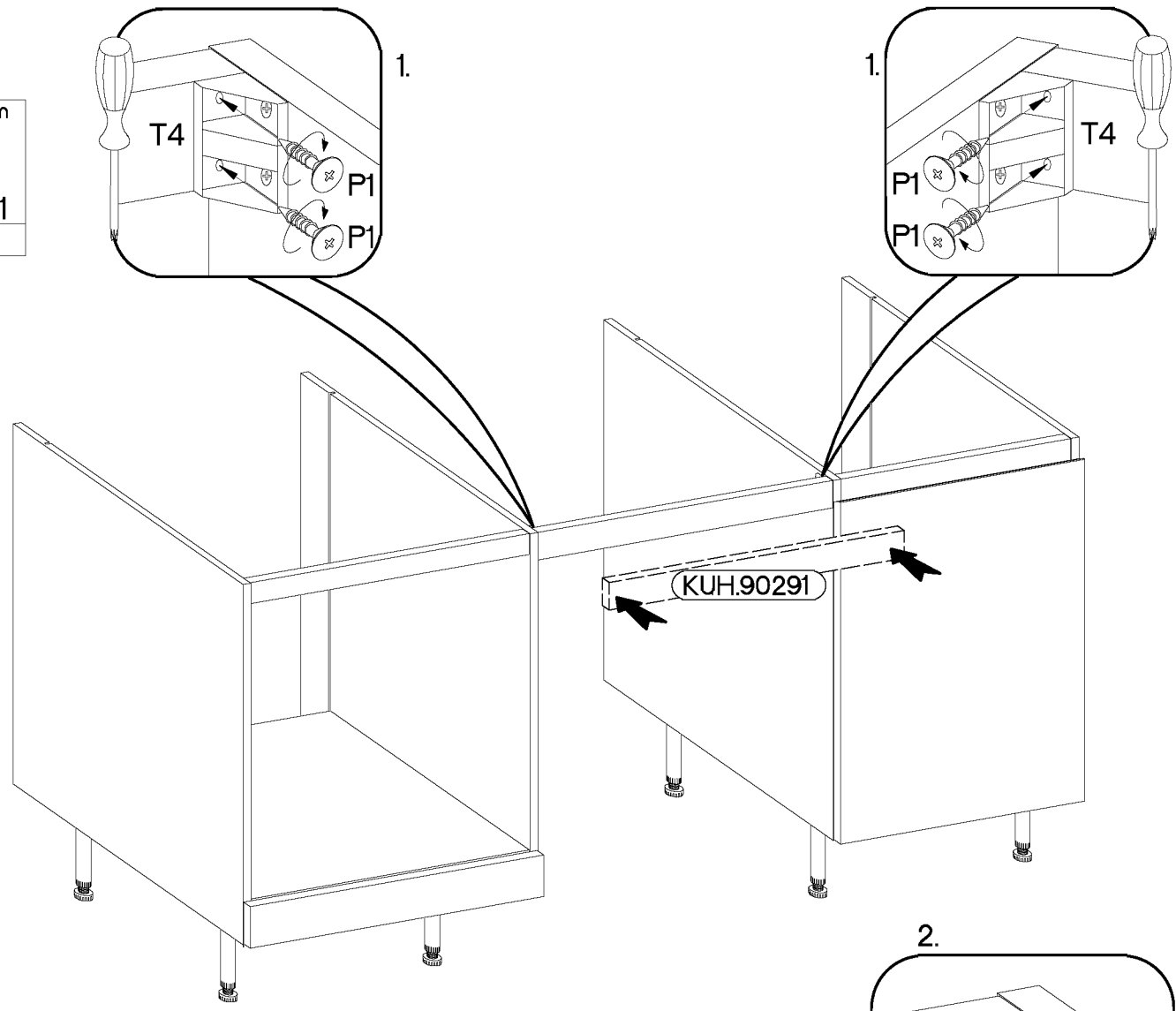
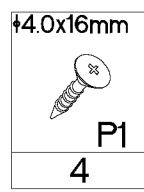
2



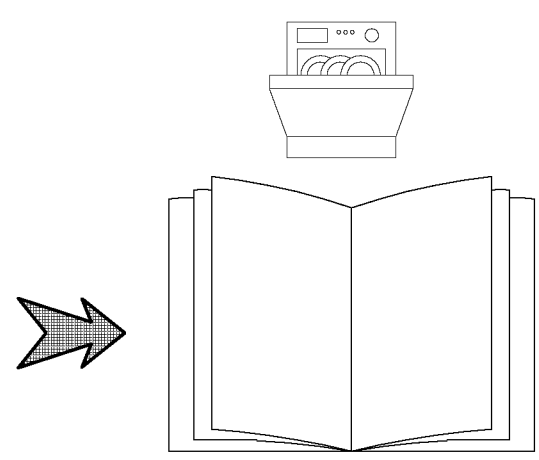
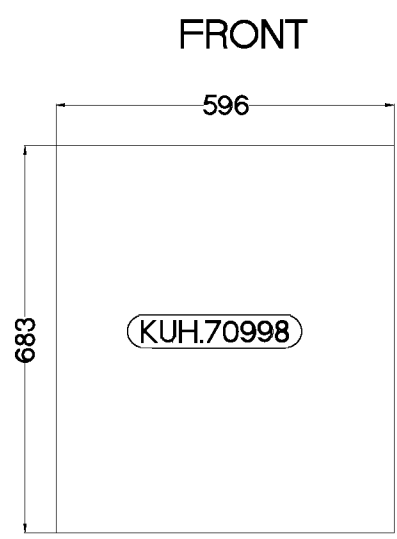
	$\pm 4.0 \times 16 \text{mm}$
T4	P1
2	4



3

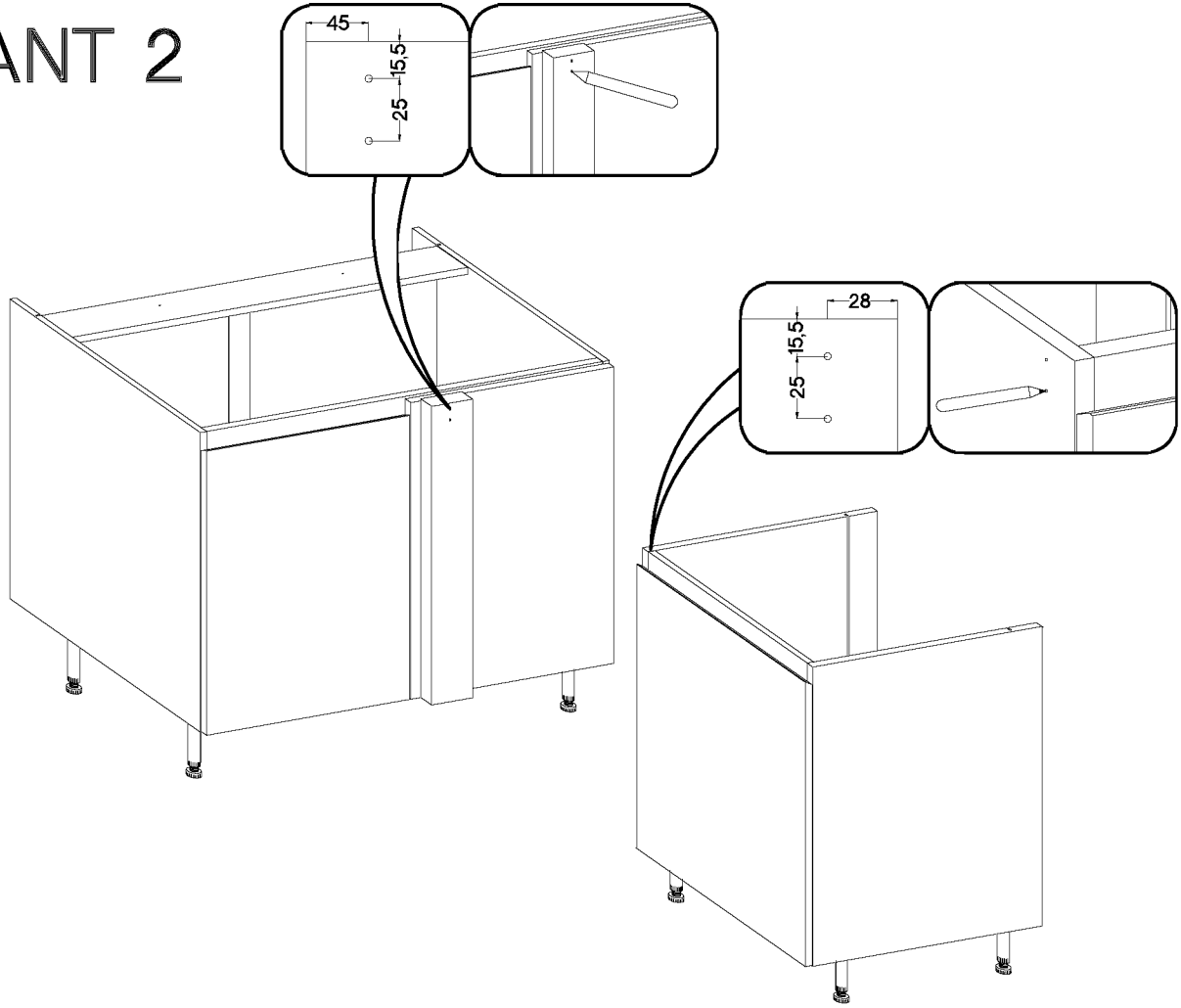


4

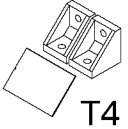



5

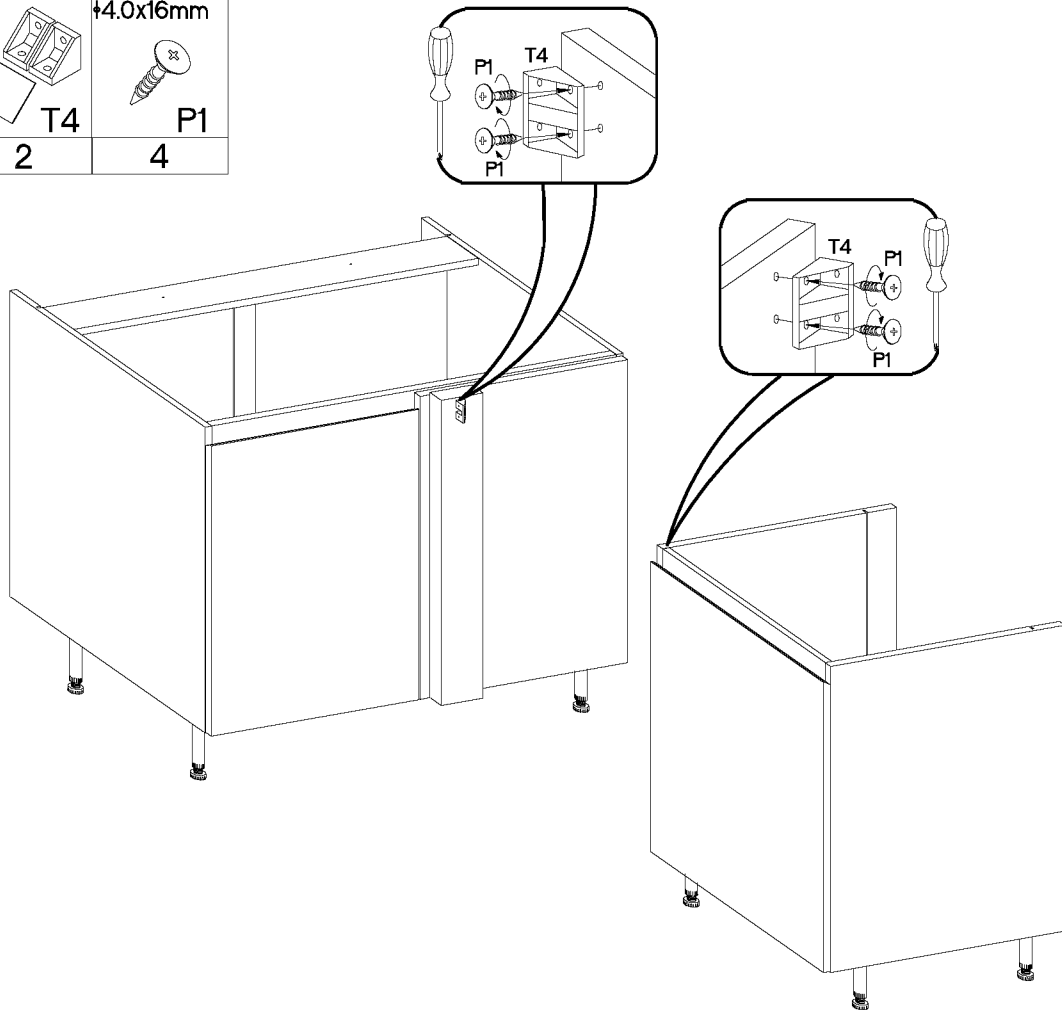
# VARIANT 2



6

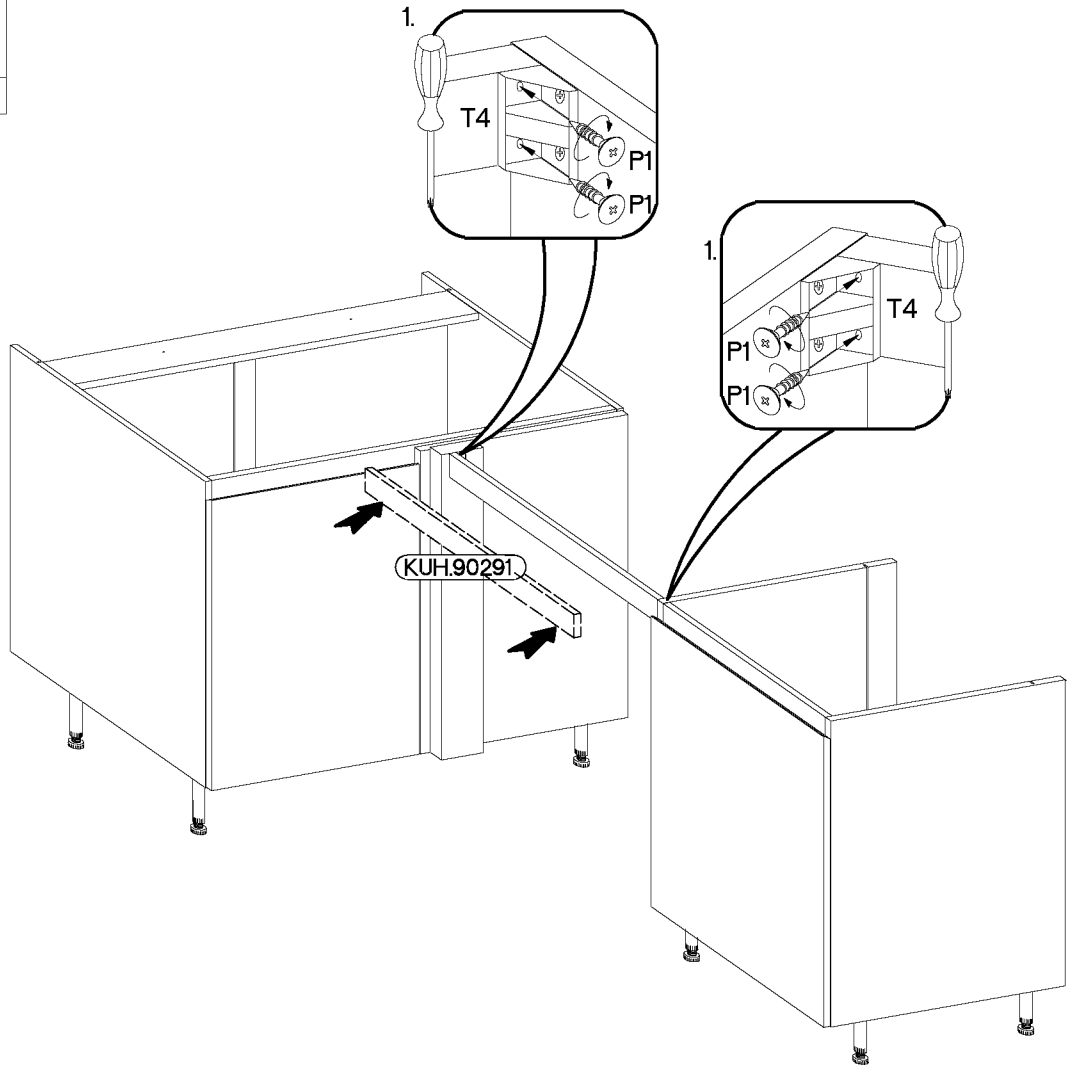
	
T4	P1
2	4

4.0x16mm

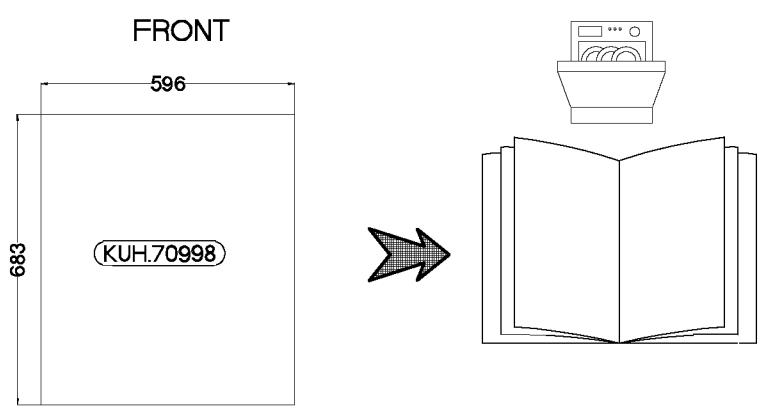


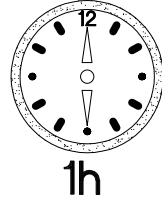
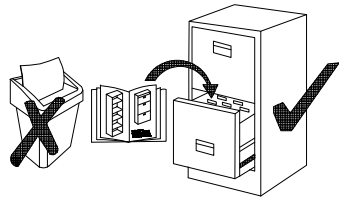
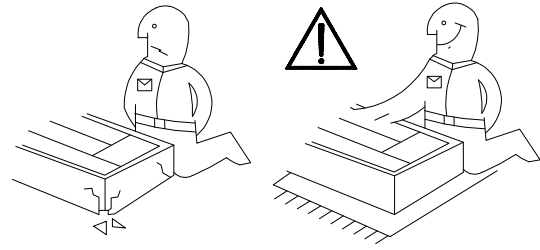
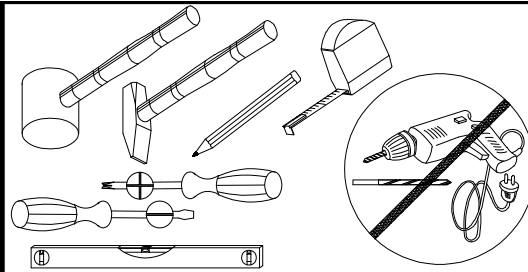
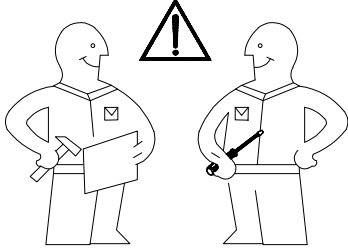
7

4.0x16mm  
P1  
4

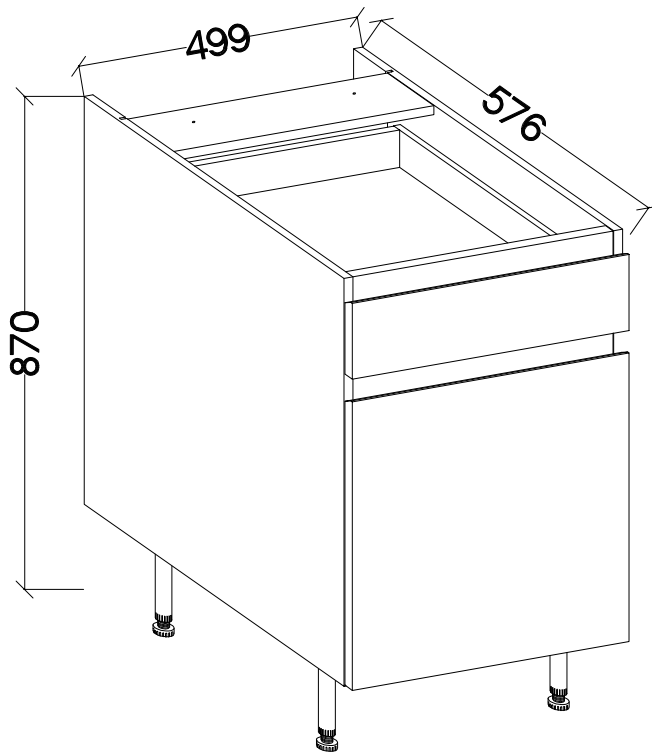
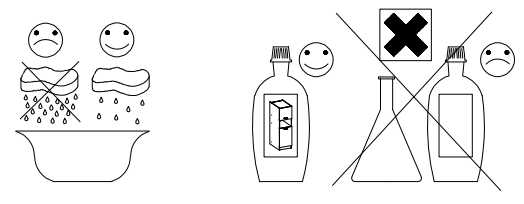


8





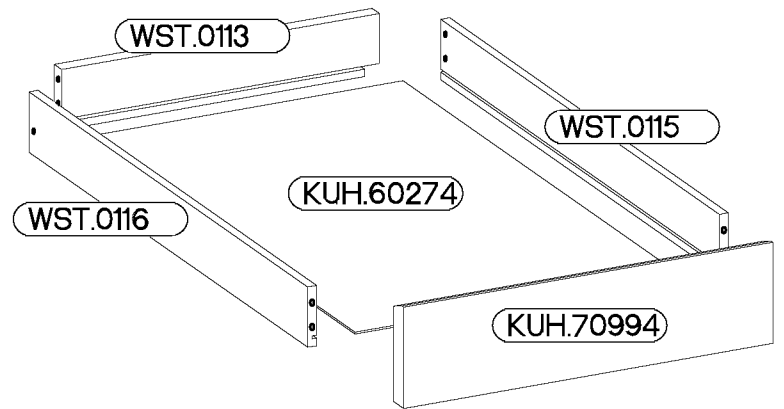
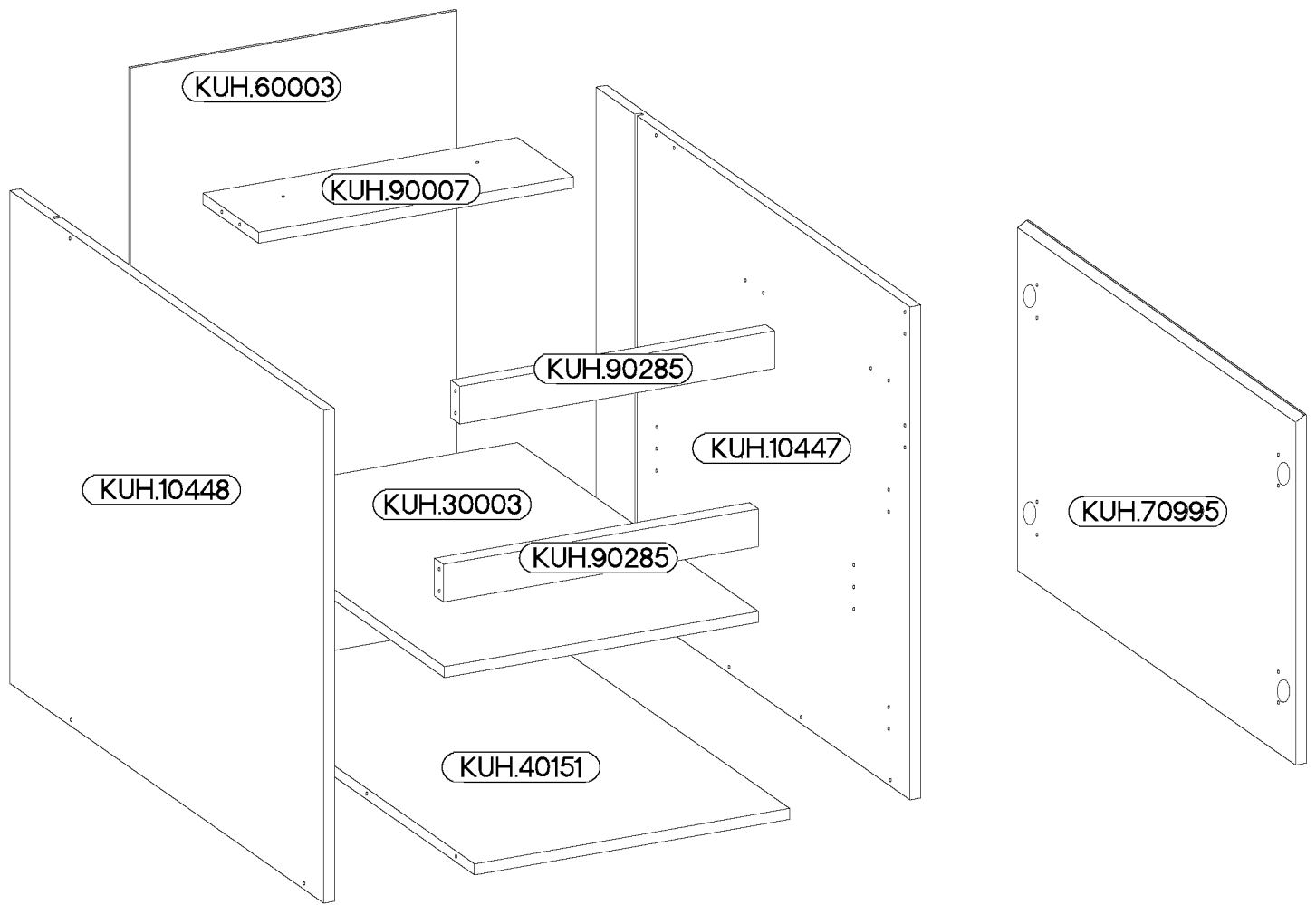
84-200-...  
ADANA  
Zeile 200  
Unterschrank



 +8x30mm A 14	 6,4 x 50mm B 6	 +6x42mm B2 2	 +15/12mm C 4	 +12/10mm C5 2	 L=20mm D2 6	
 E1 6	 +35mm E5 2	 L=135-170cm F15 4	 F16 6	 +35/0mm HG 2	 L=450mm L R 1	 +5/16mm J3 4
 L 2	 +6.3x13mm M2 8	 O 1	 +3.5x13mm P5 36	 +3.0x20mm P7 12-15	 +4.0x35mm R3 2	 T10 2

ISM-KUH-01719





Colli	Spare Part	Dimension
Colli 1/6	KUH.10447	720x560x16
	KUH.10448	720x560x16
	KUH.30003	466x430x16
	KUH.40151	467x485x16
	KUH.60003	713x485x2,5
	KUH.60274	448x437x2,5
	KUH.70994	134x496x16
	KUH.70995	509x496x16
	KUH.90007	467x100x16
	KUH.90285 x2	467x55x16
	WST.0113	427x80x12
	WST.0115	450x80x12
	WST.0116	450x80x12



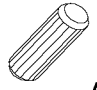

max. 3kg KUH.60274

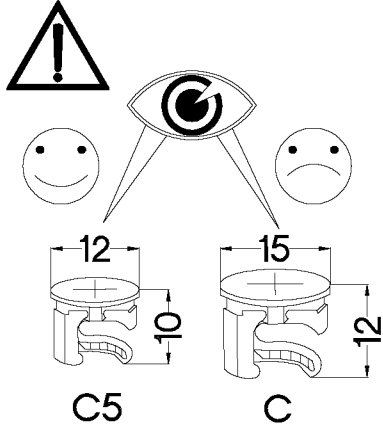
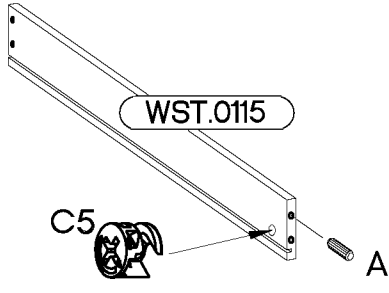
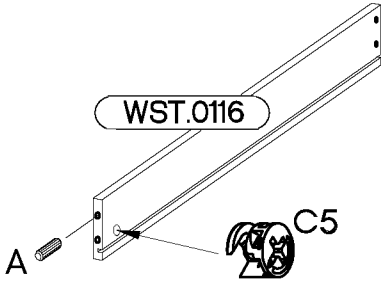
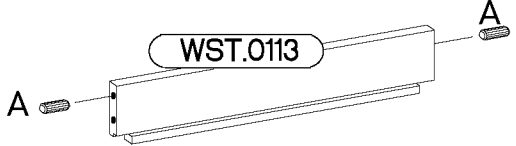
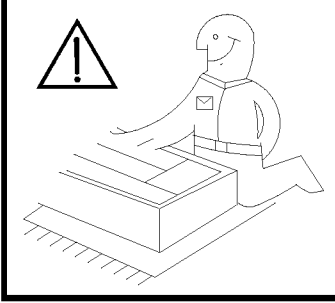
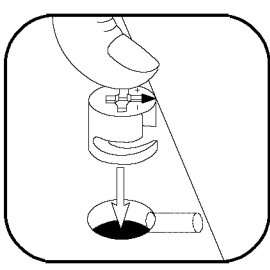


max. 10kg KUH.30003


KUH.40151

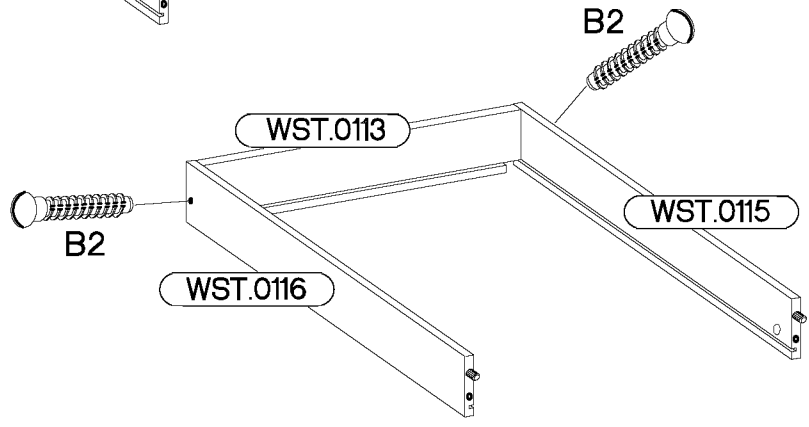
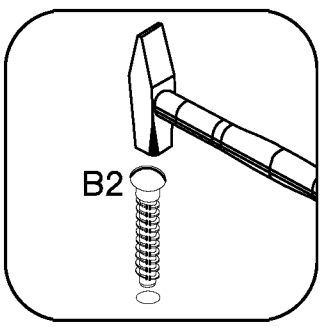
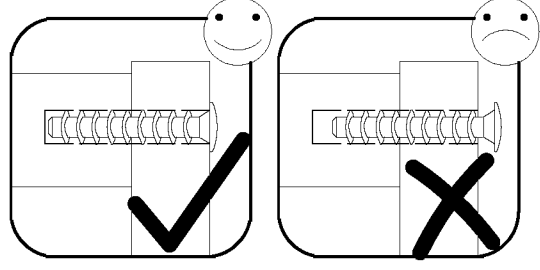
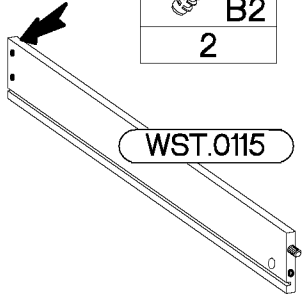
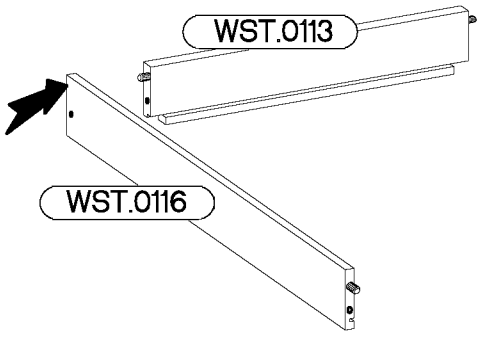
1

$\pm 8 \times 30 \text{mm}$  <b>A</b> 4	$\pm 12 / 10 \text{mm}$  <b>C5</b> 2
--	---




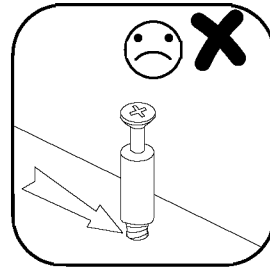
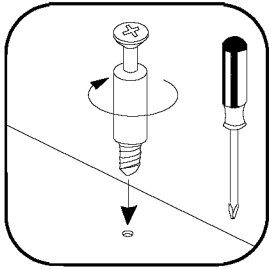
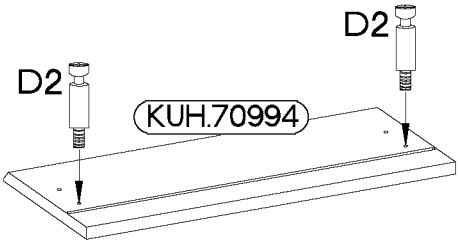
2

$\pm 6 \times 42 \text{mm}$  <b>B2</b> 2
--

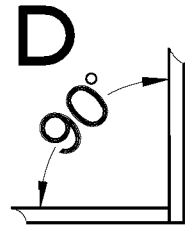
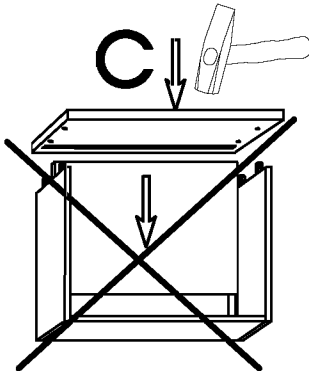
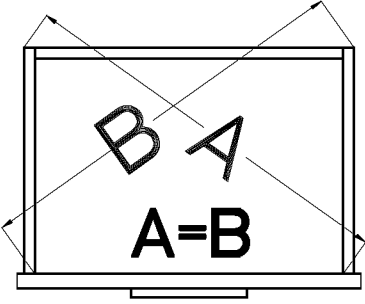
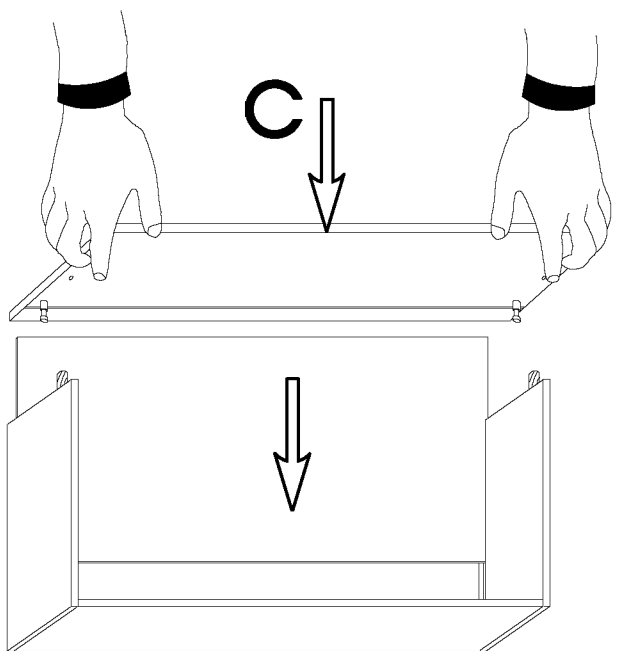
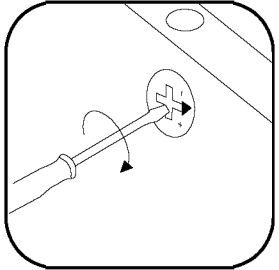
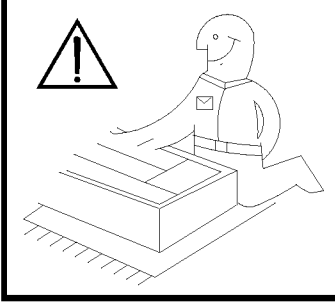
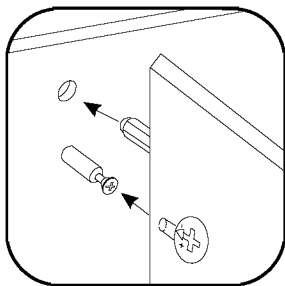
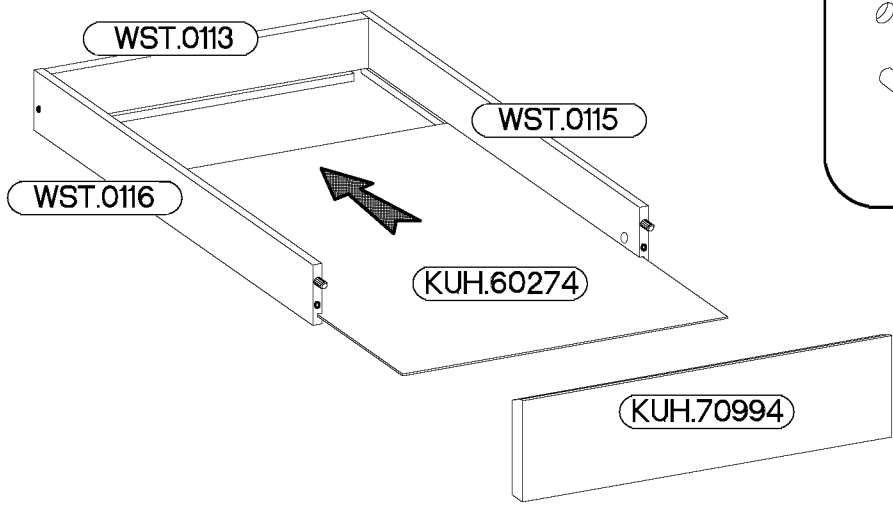


3

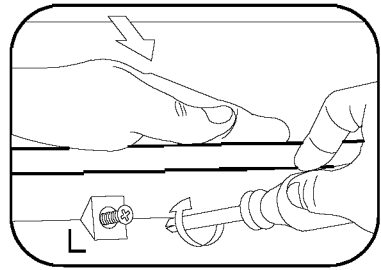
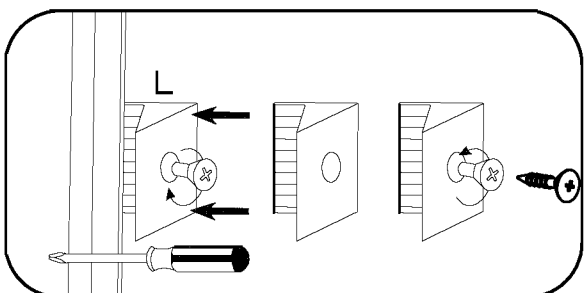
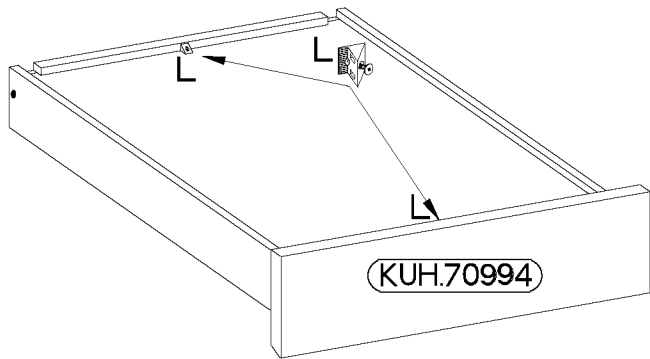
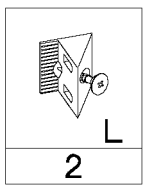
$L=20 \text{mm}$  <b>D2</b> 2
---

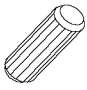
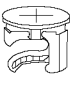
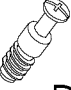
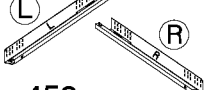



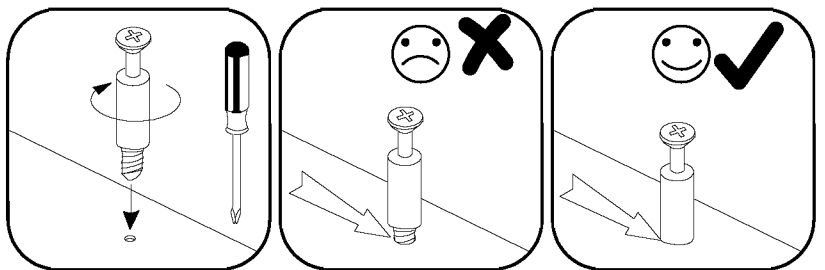
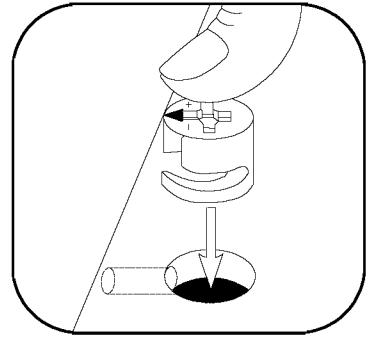
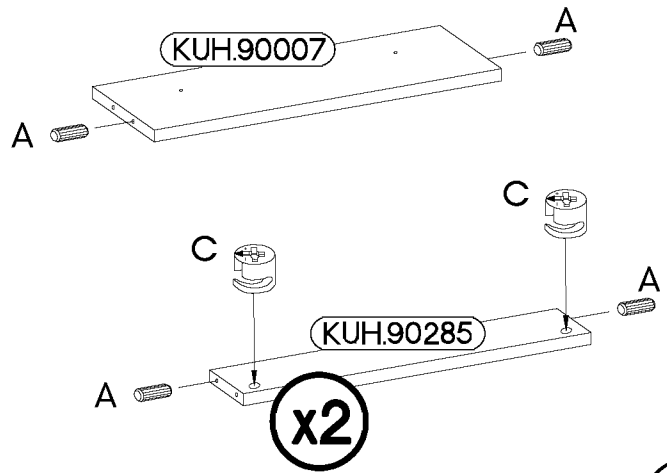
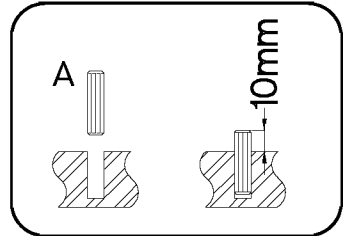
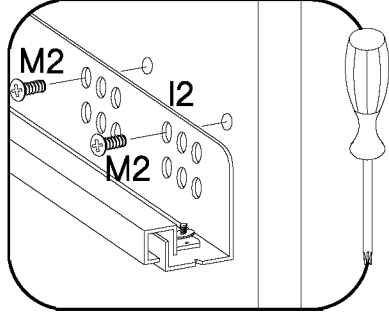
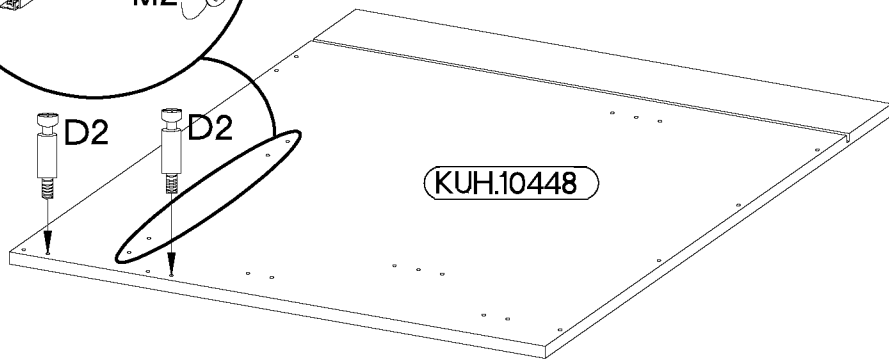
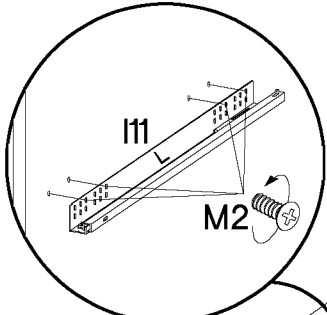
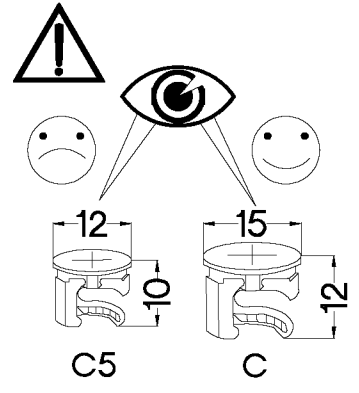
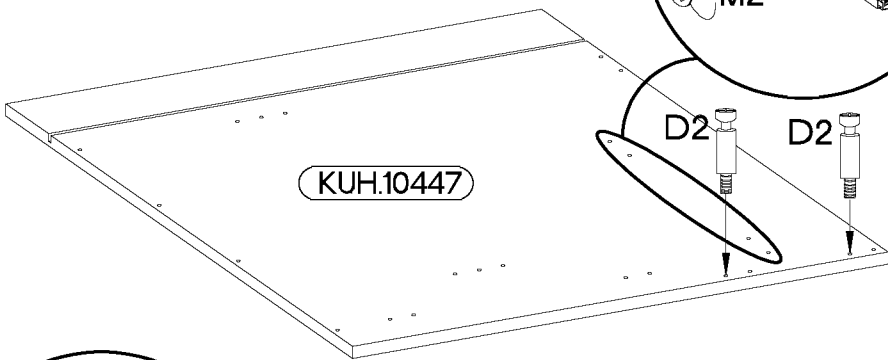
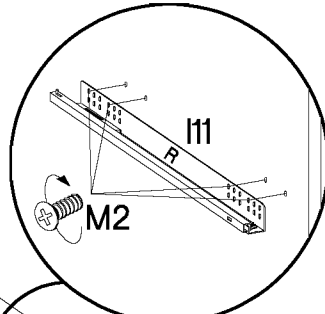
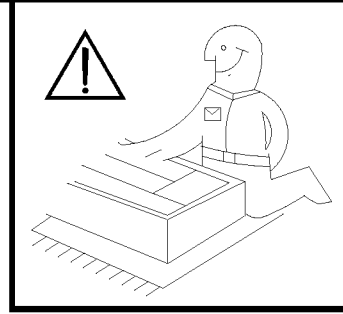
4



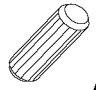
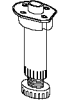

5

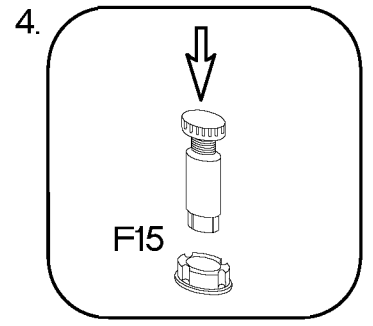
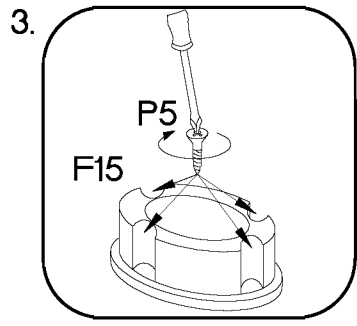
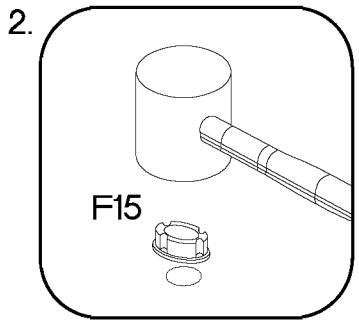
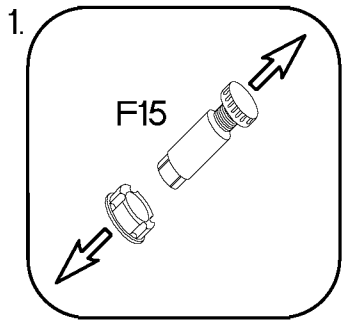
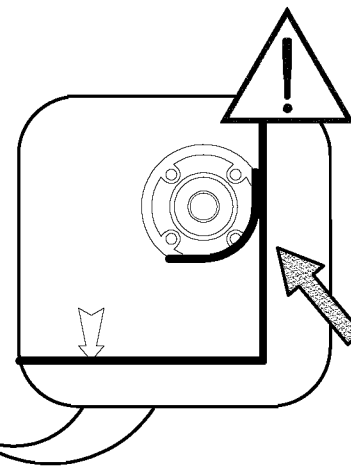
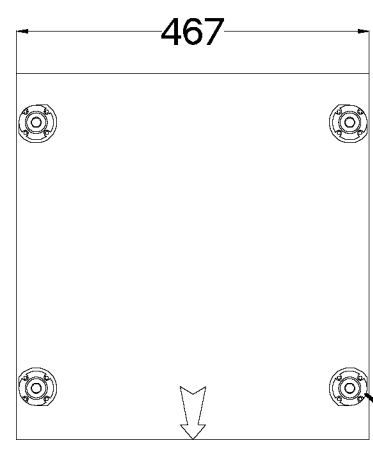
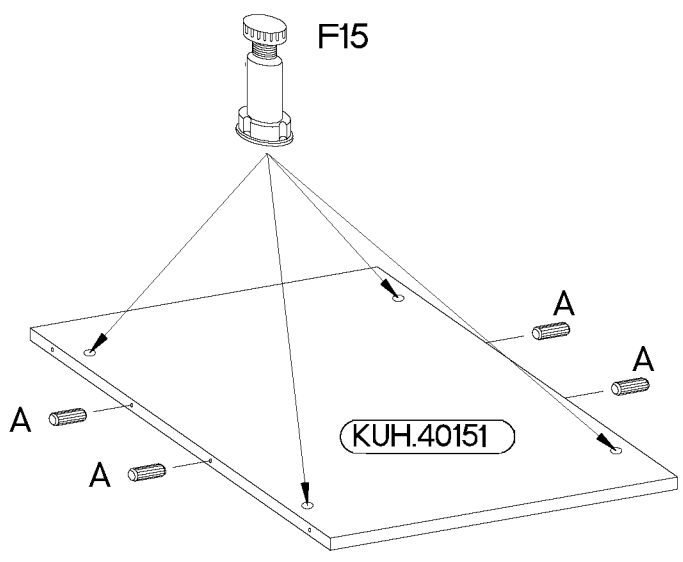
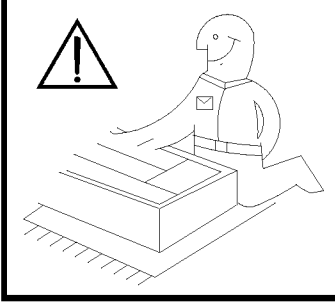


$\pm 8 \times 30 \text{mm}$ 	$\pm 15/12 \text{mm}$ 	$L=20 \text{mm}$ 	$L=450 \text{mm}$ 	$\pm 6.3 \times 13 \text{mm}$ 
A	C	D2	I11	M2
6	4	4	1	8



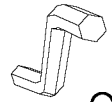


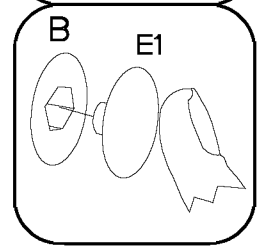
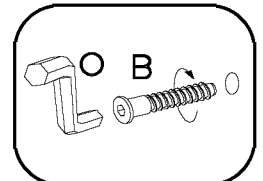
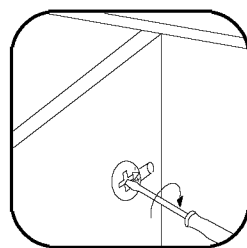
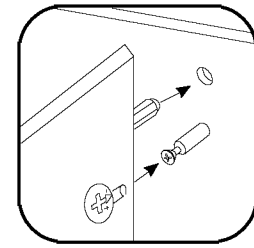
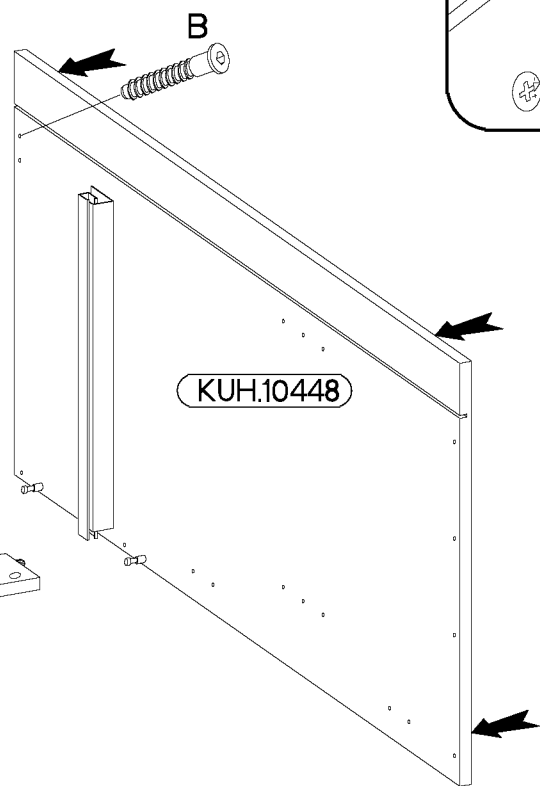
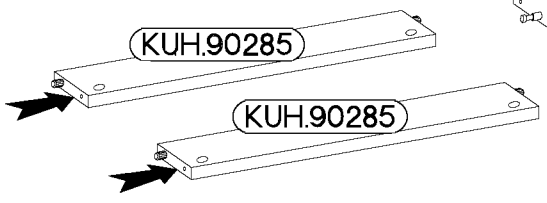
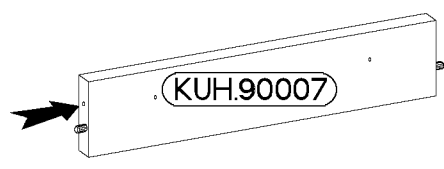
7

+8x30mm  A	L=135-170cm  F15	+3.5x13mm  P5
4	4	16

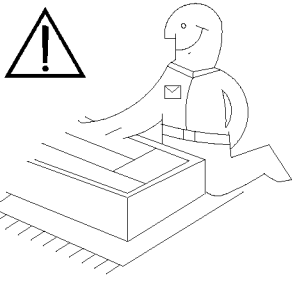


8

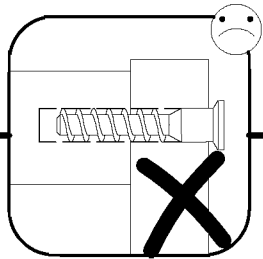
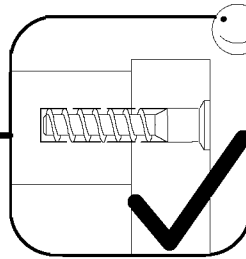
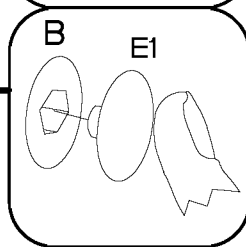
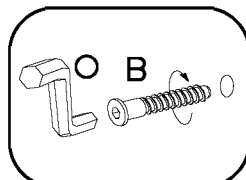
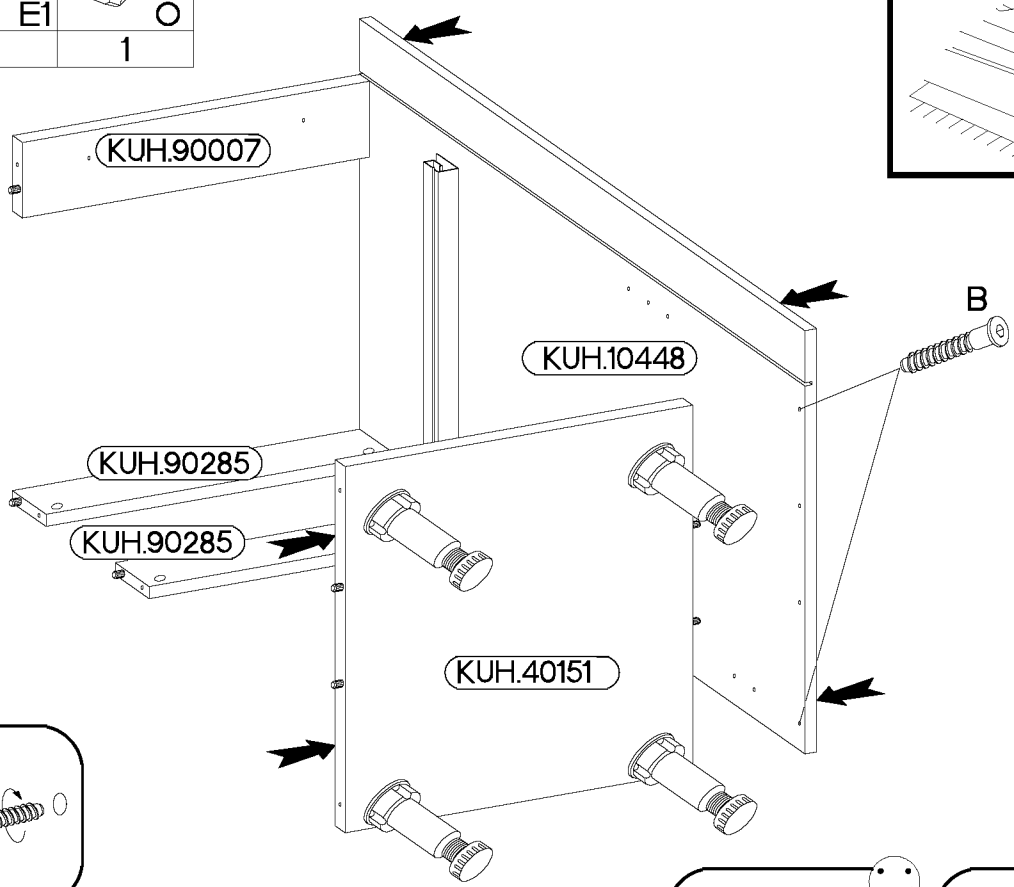
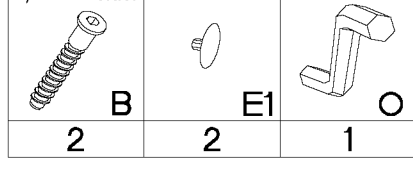
6,4 x 50mm  B	 E1	 O
1	1	1



9

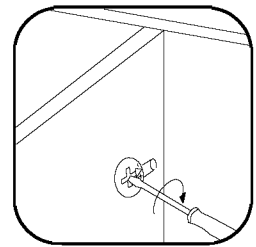
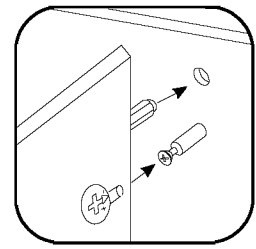
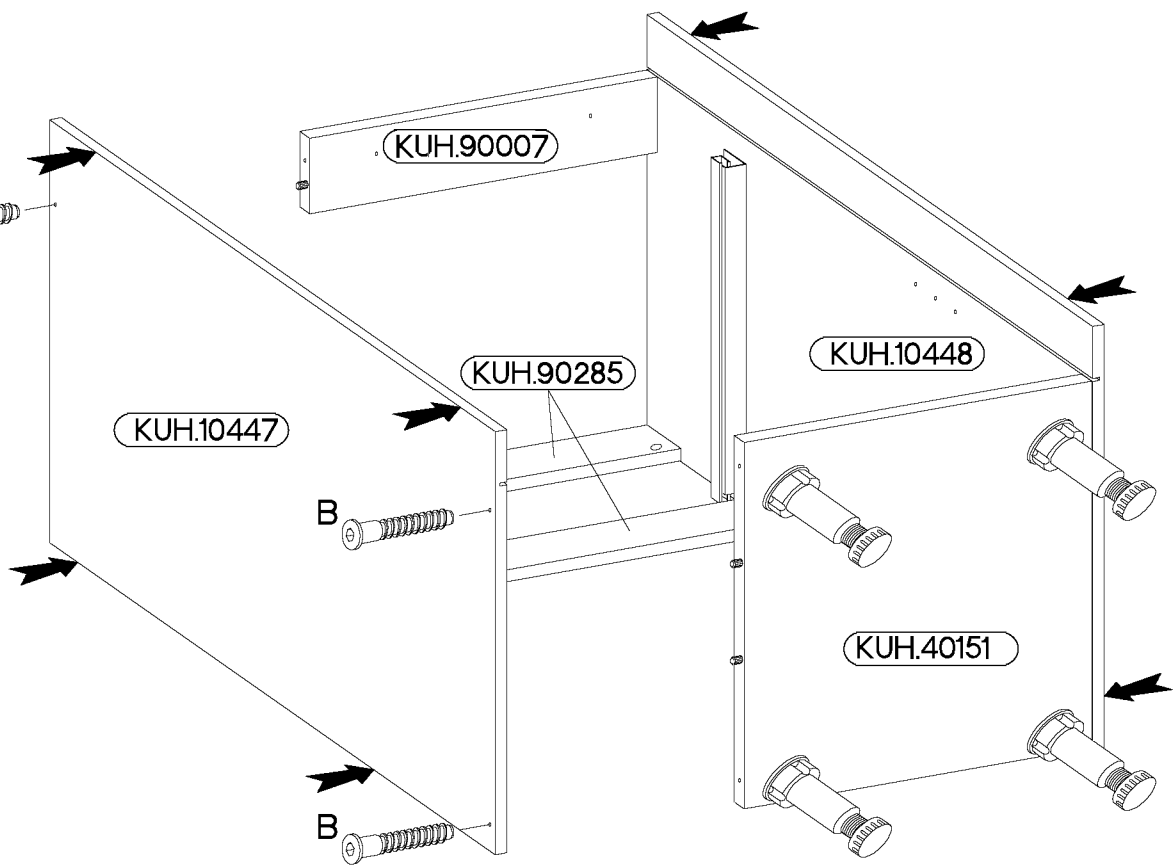
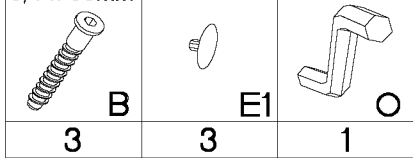


6,4 x 50mm

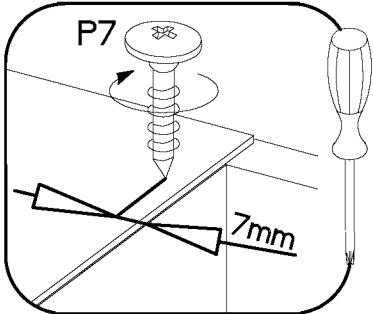
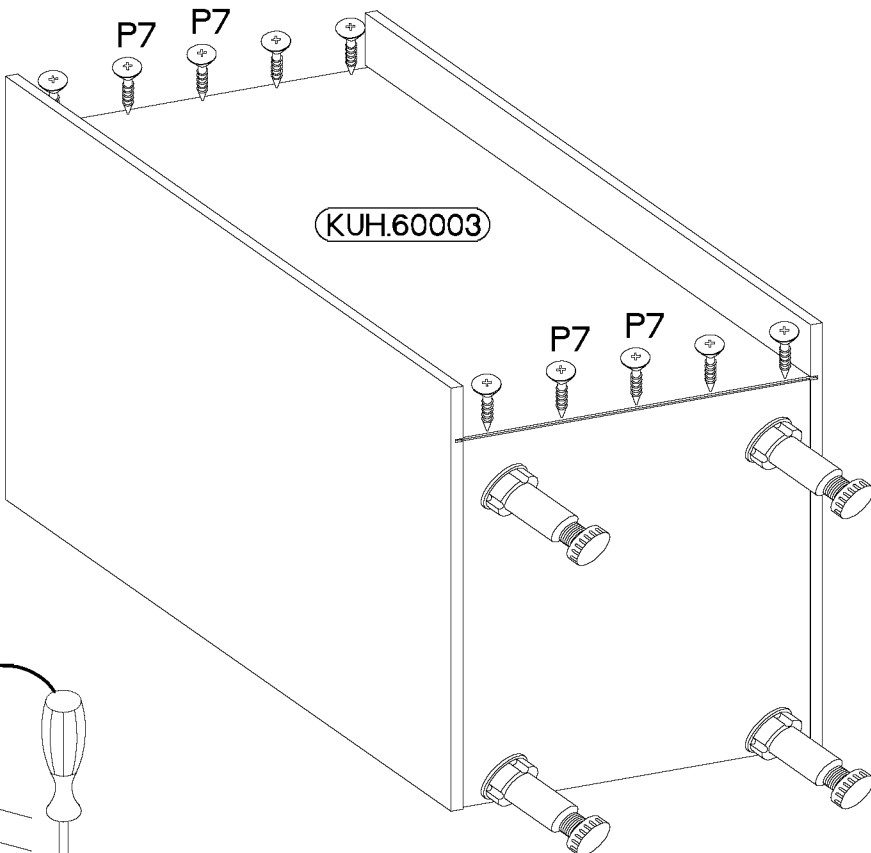
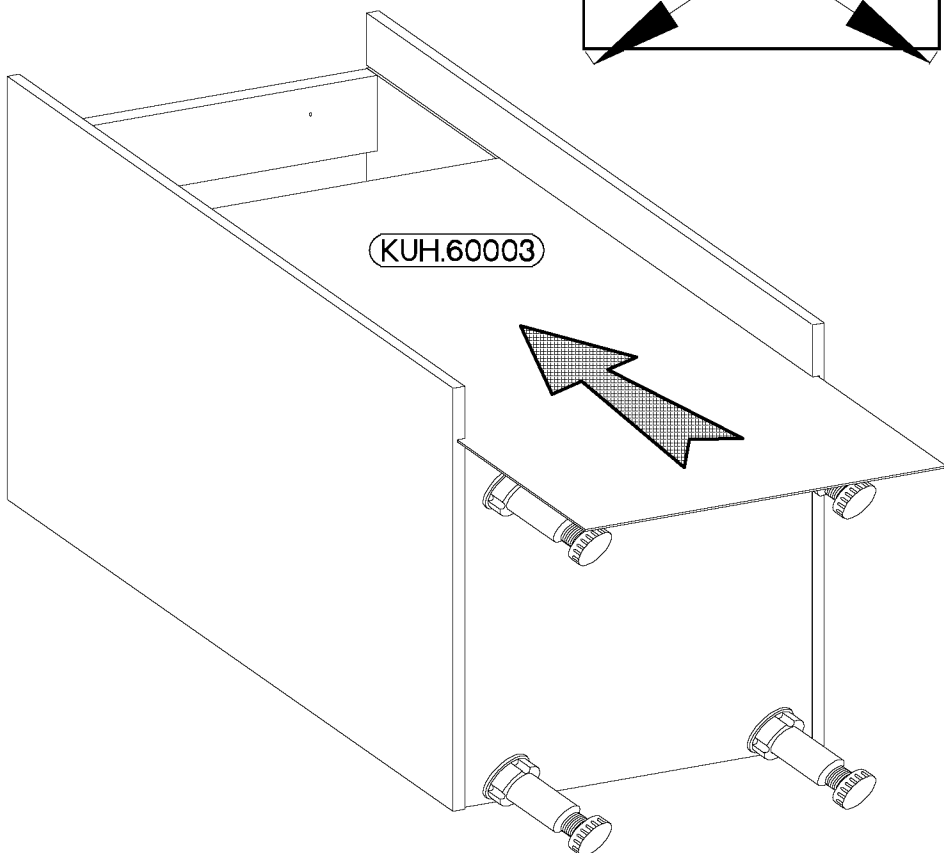
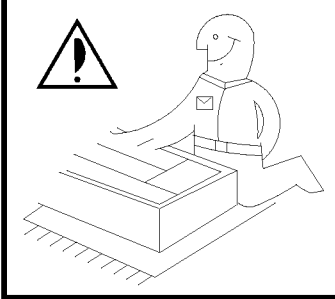
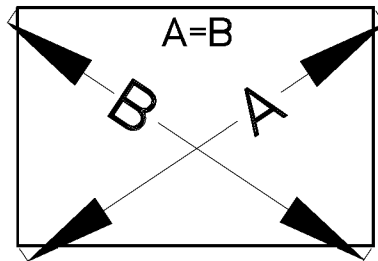


10

6,4 x 50mm

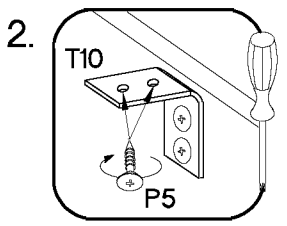
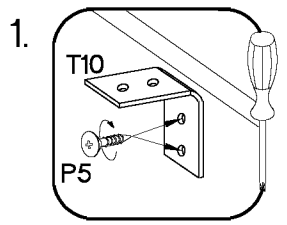
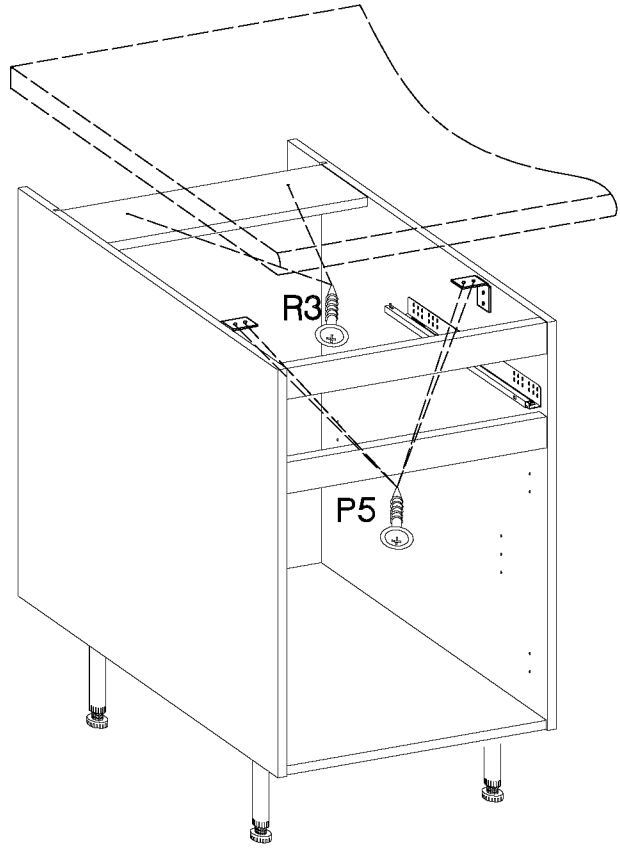
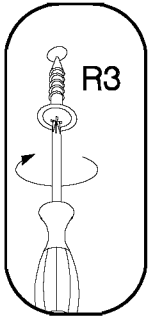


3.0x20mm  
P7  
8-10



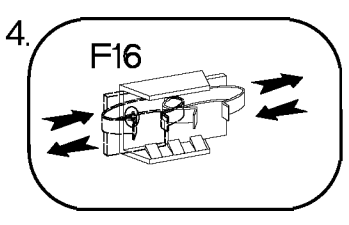
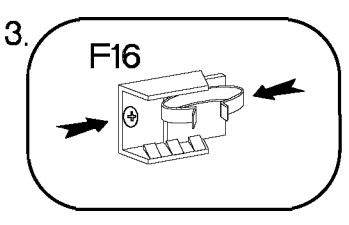
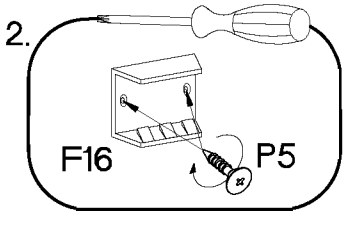
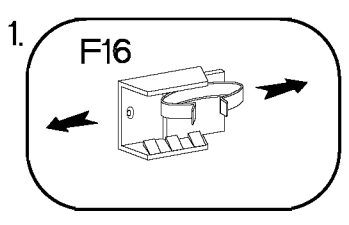
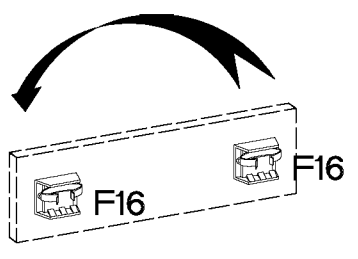
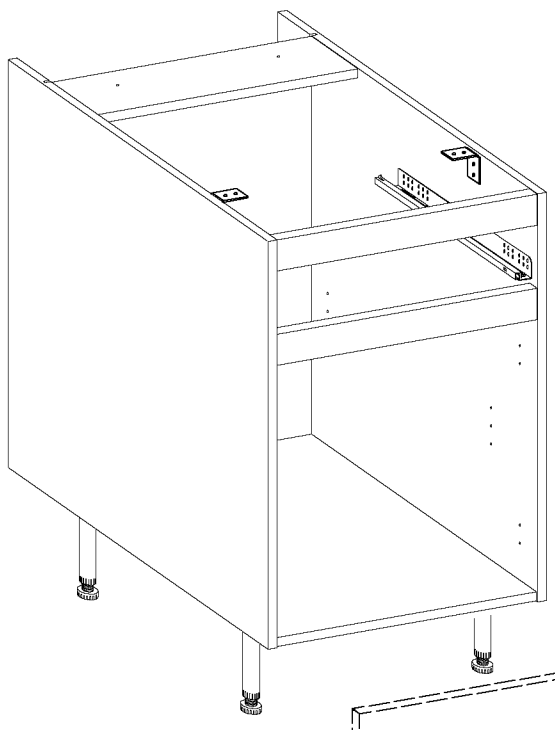
# 12

±3.5x13mm	±4.0x35mm	
		T10
P5	R3	
8	2	2



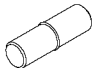
# 13

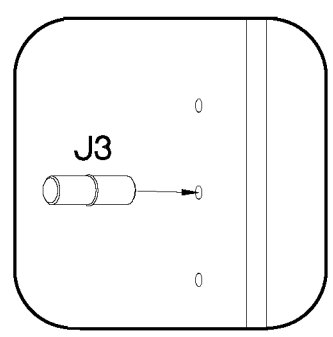
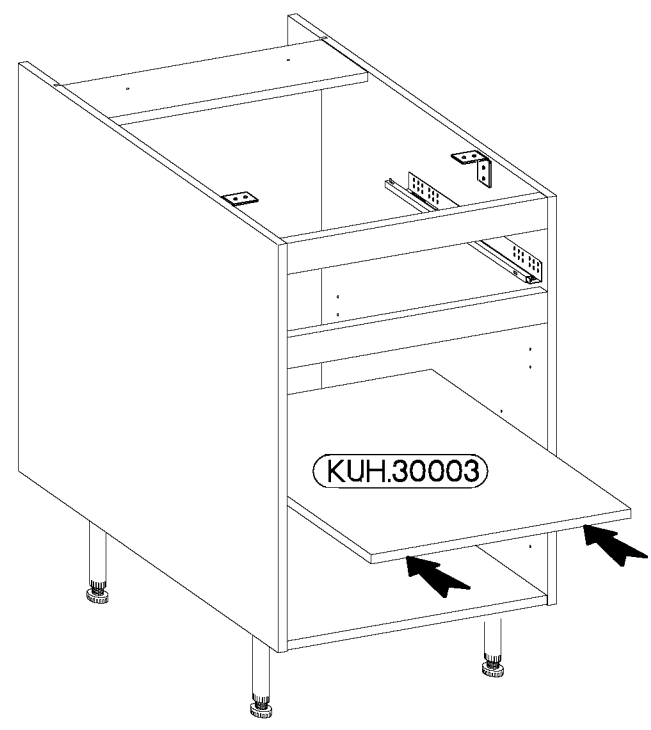
	±3.5x13mm
F16	
2	P5
	4






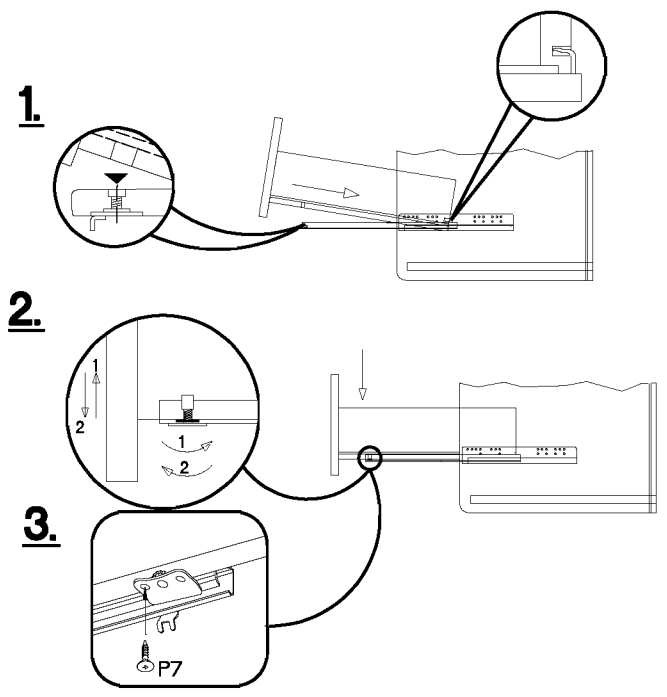
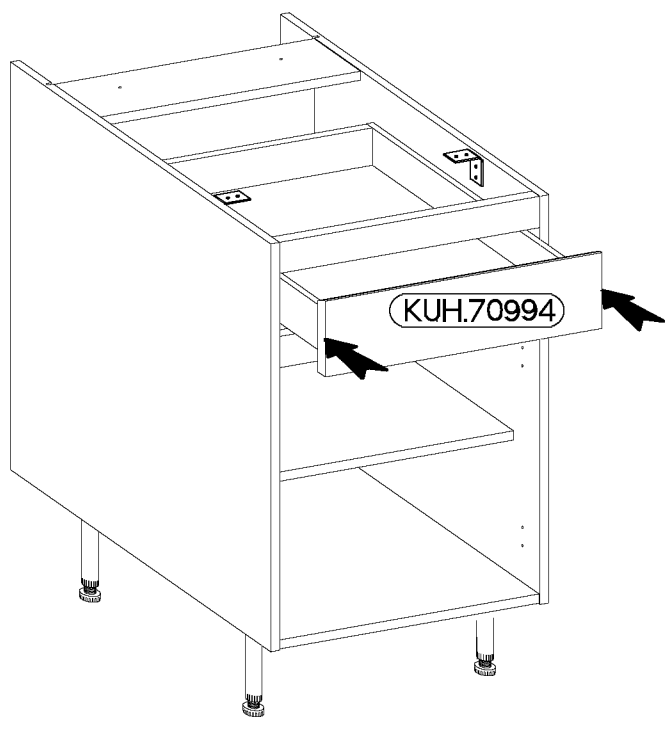
14



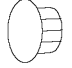
±5/16mm  
  
**J3**  
 4

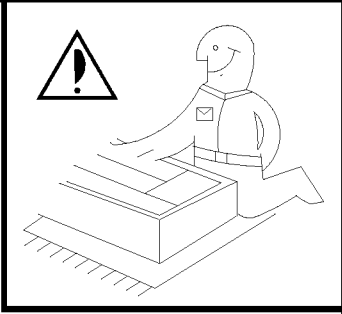


15

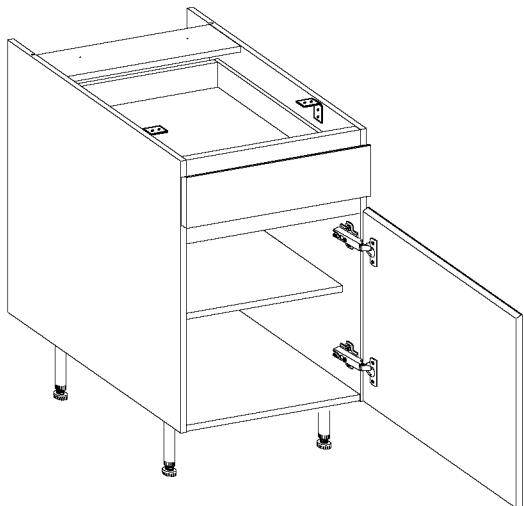
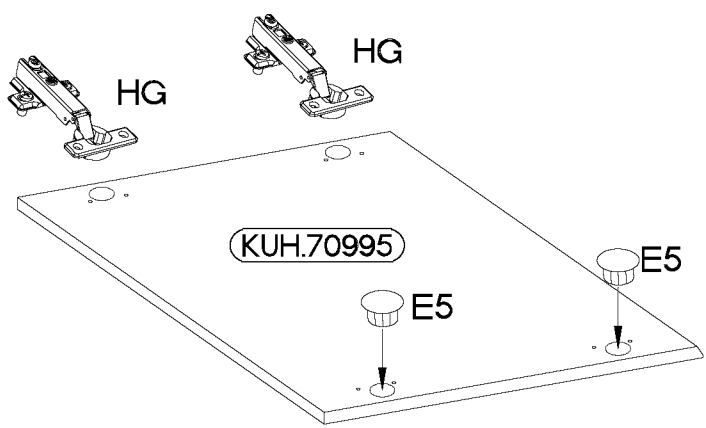
±3.0x20mm  
  
**P7**  
 2



±35/0mm  HG 2	±3.5x13mm  P5 4	±35mm  E5 2
--	--	--



# RIGHT



# LEFT

