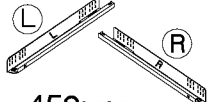


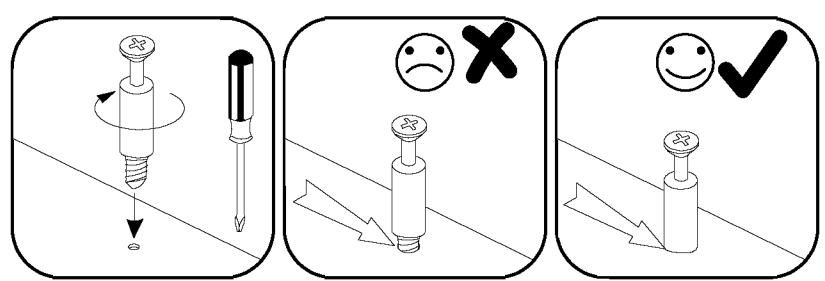
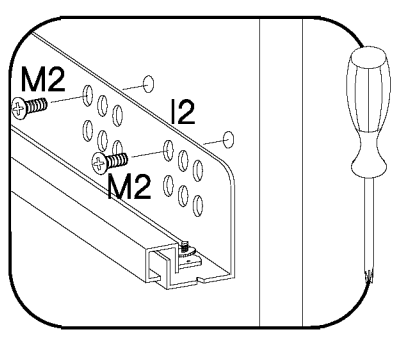
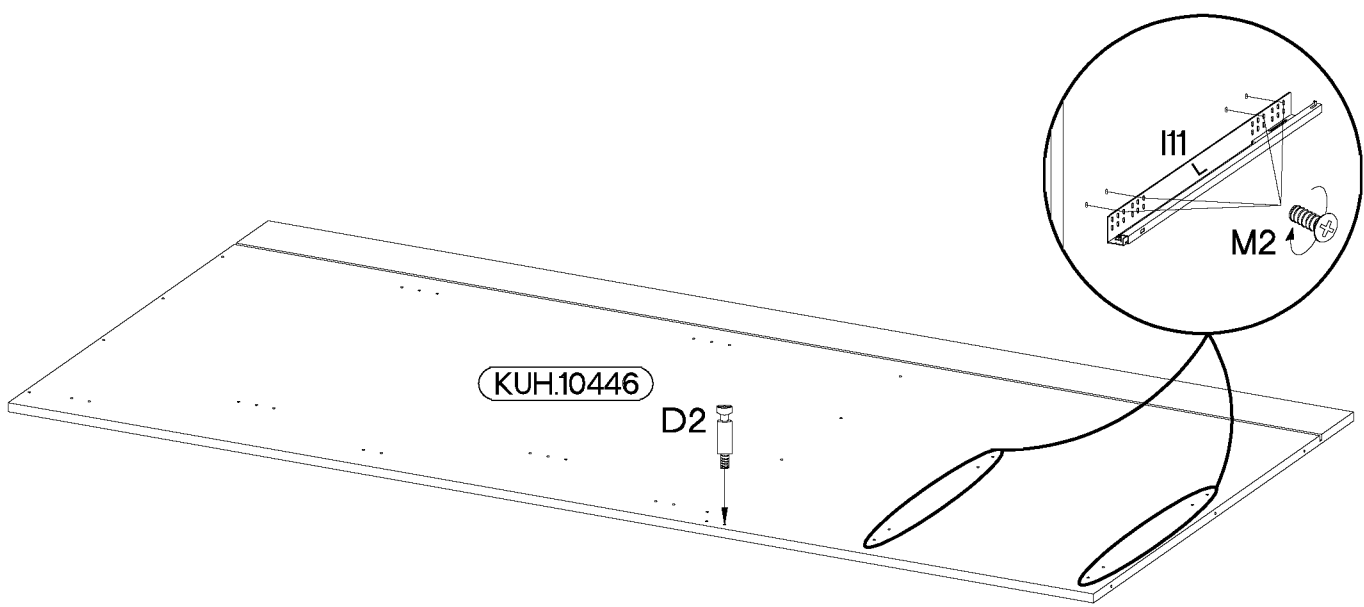
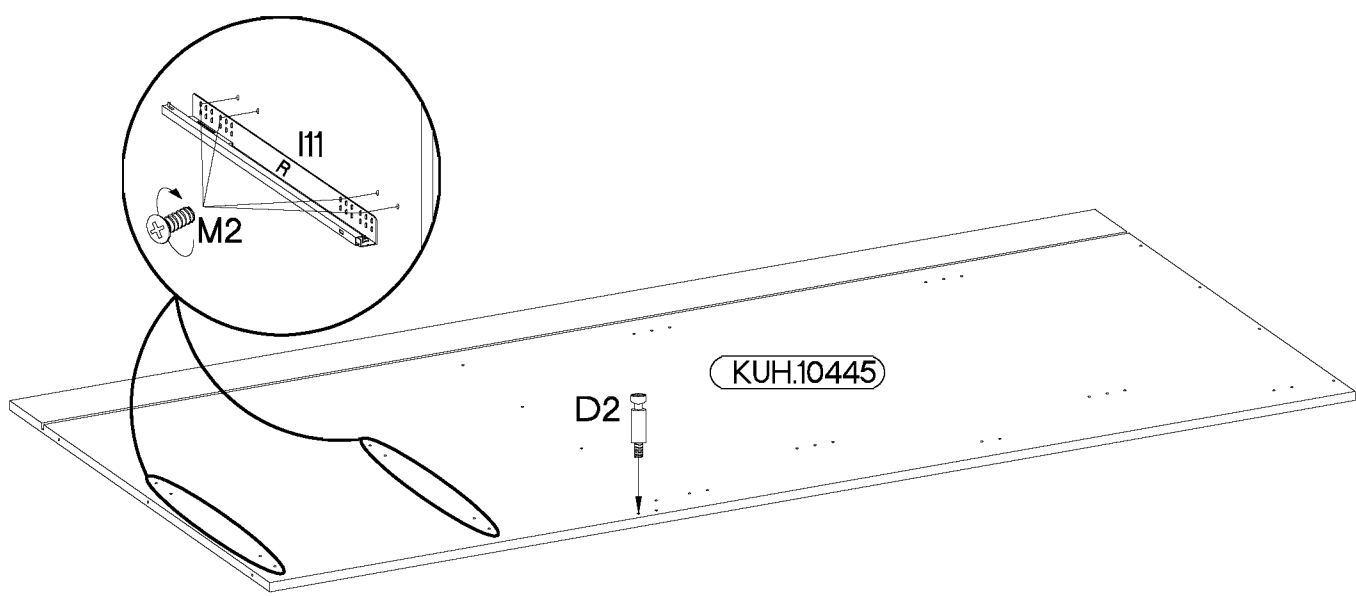
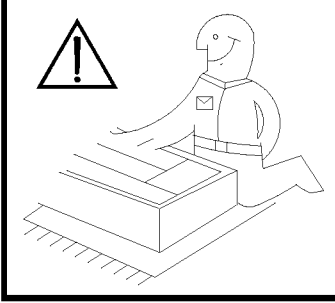


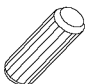
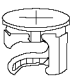
Colli	Spare Part	Dimension
Colli 1/2	KUH.40005 x2	267x485x16
	KUH.40149	299x560x16
	KUH.70992	1239x296x16
	KUH.90215 x2	515x150x16
	KUH.90216	299x150x16
	KUH.90284	267x60x16
Colli 2/2	KUH.10445	1945x560x16
	KUH.10446	1945x560x16
	KUH.30038 x2	266x430x16
	KUH.60272	1953x285x2,5
	KUH.60273 x2	448x237x2,5
	KUH.70993	683x296x16
	WST.0109 x2	450x140x12
	WST.0110 x2	450x140x12
WST.0114 x2	227x140x12	

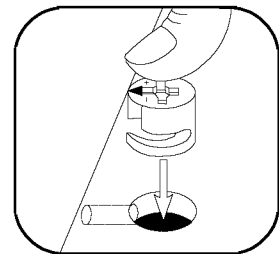
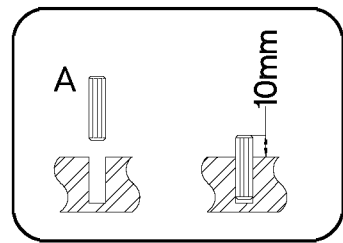
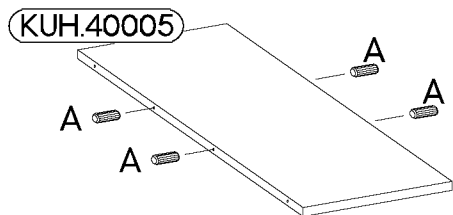
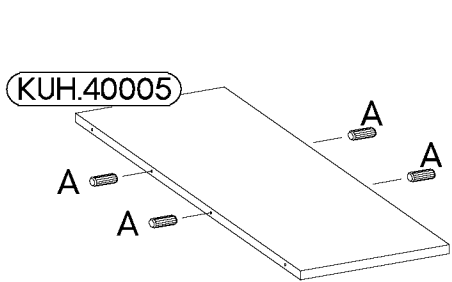
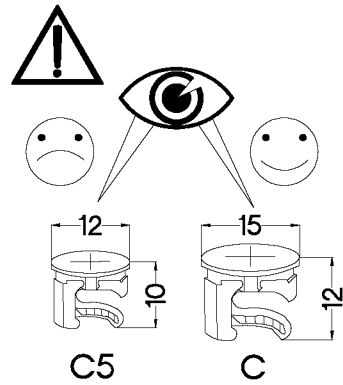
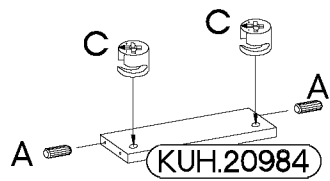
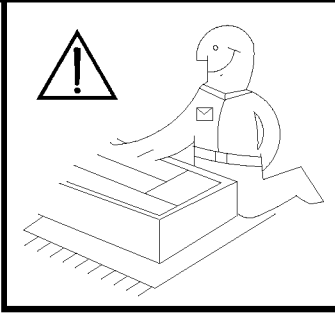
1

 L=450mm 2	 M2 16	 D2 2
--	--	---


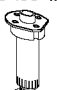


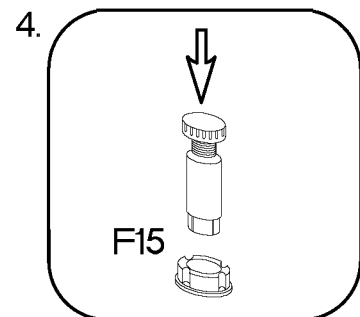
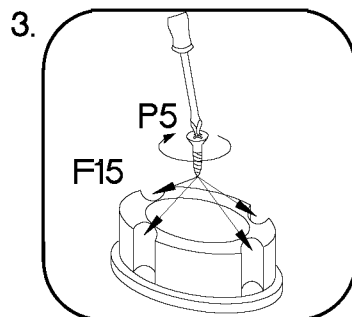
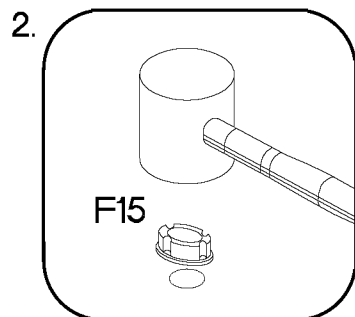
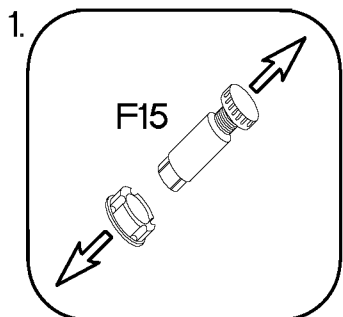
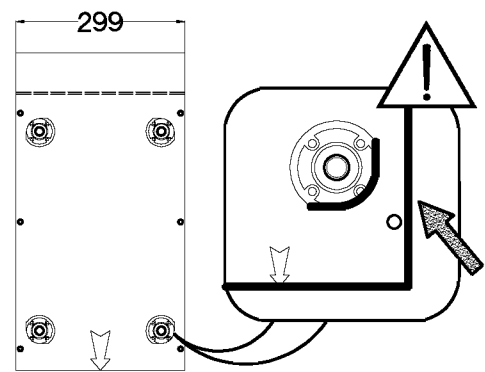
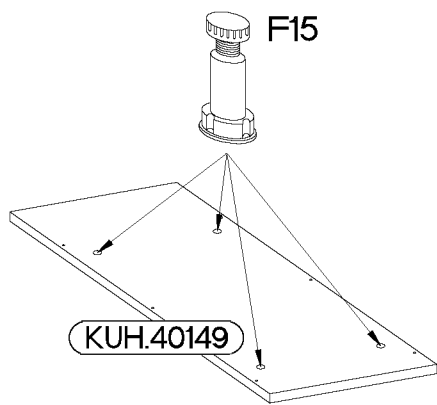
2

$\pm 8 \times 30 \text{mm}$	$\pm 15 / 12 \text{mm}$
	
A	C
10	2

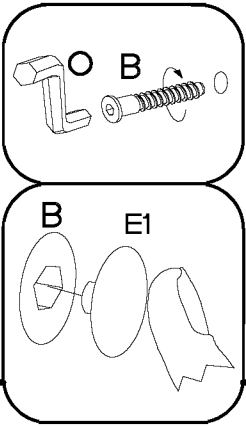
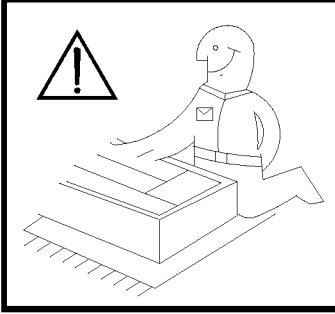
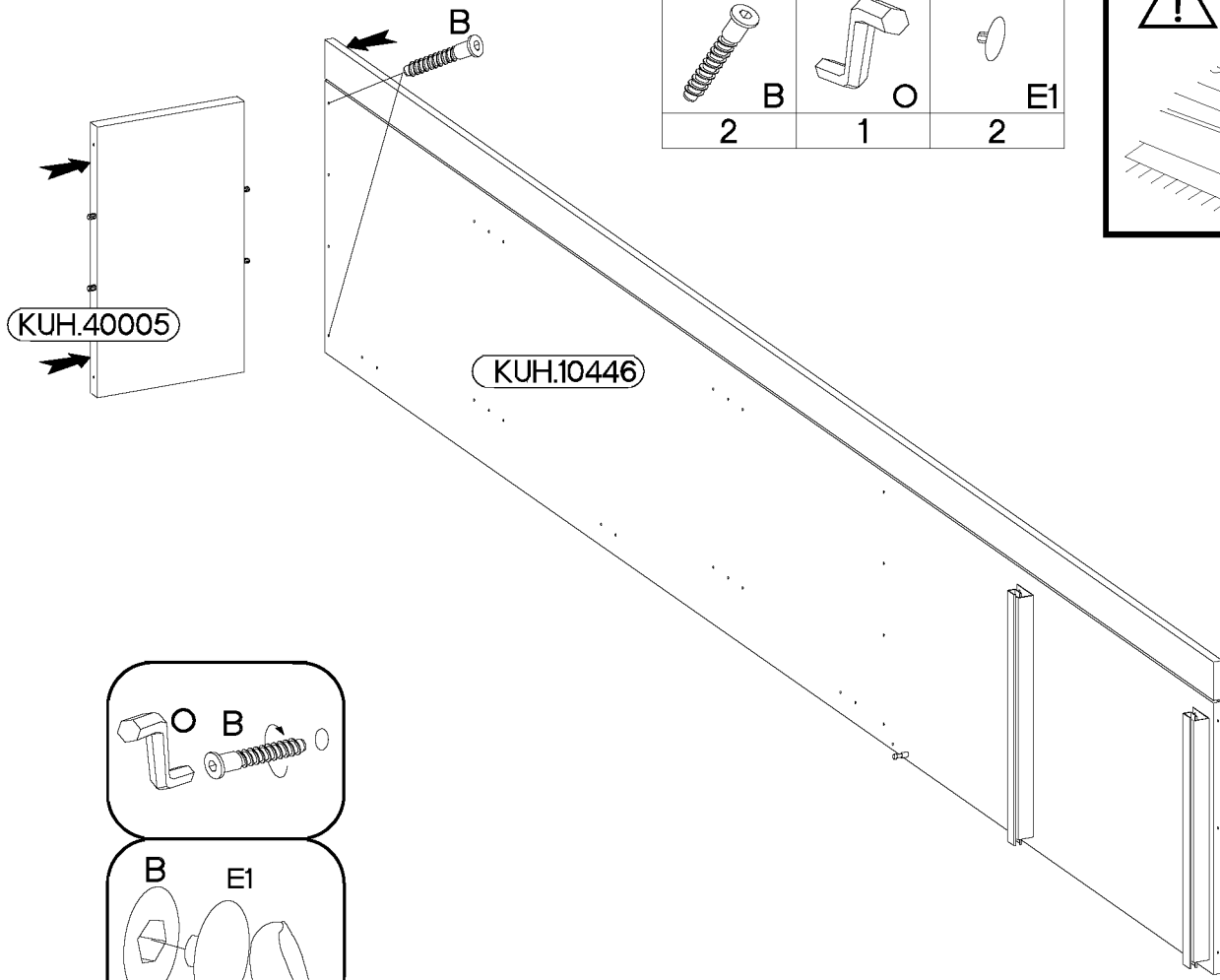


3

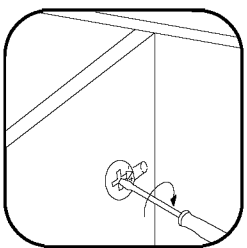
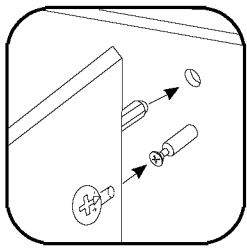
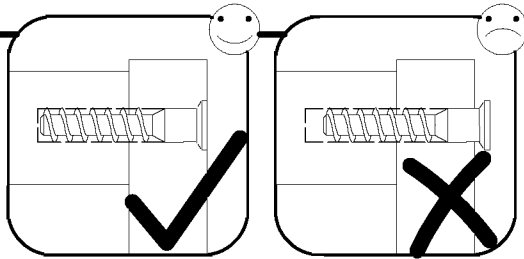
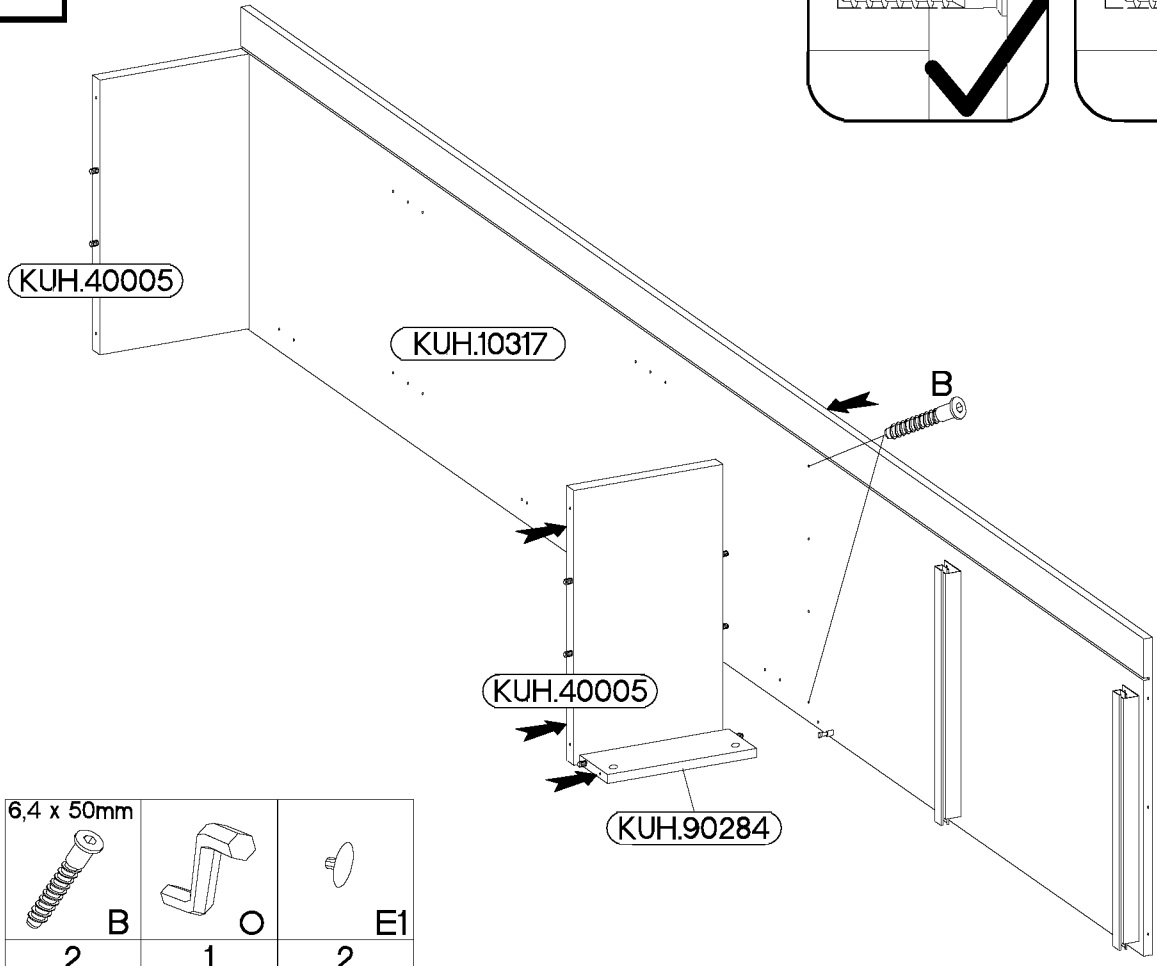
$\pm 3.5 \times 13 \text{mm}$	L=135-170cm
	
P5	F15
16	4




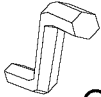

4

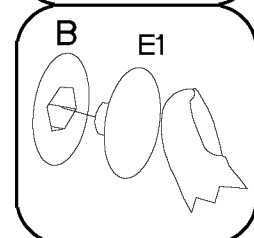
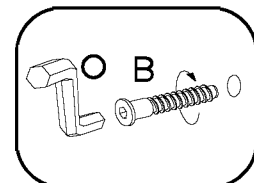
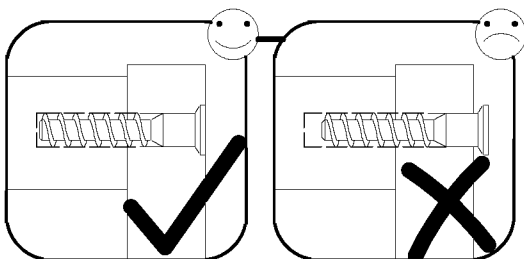
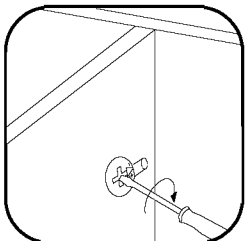
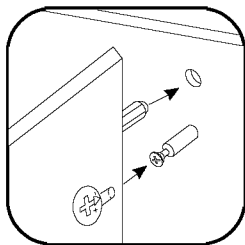
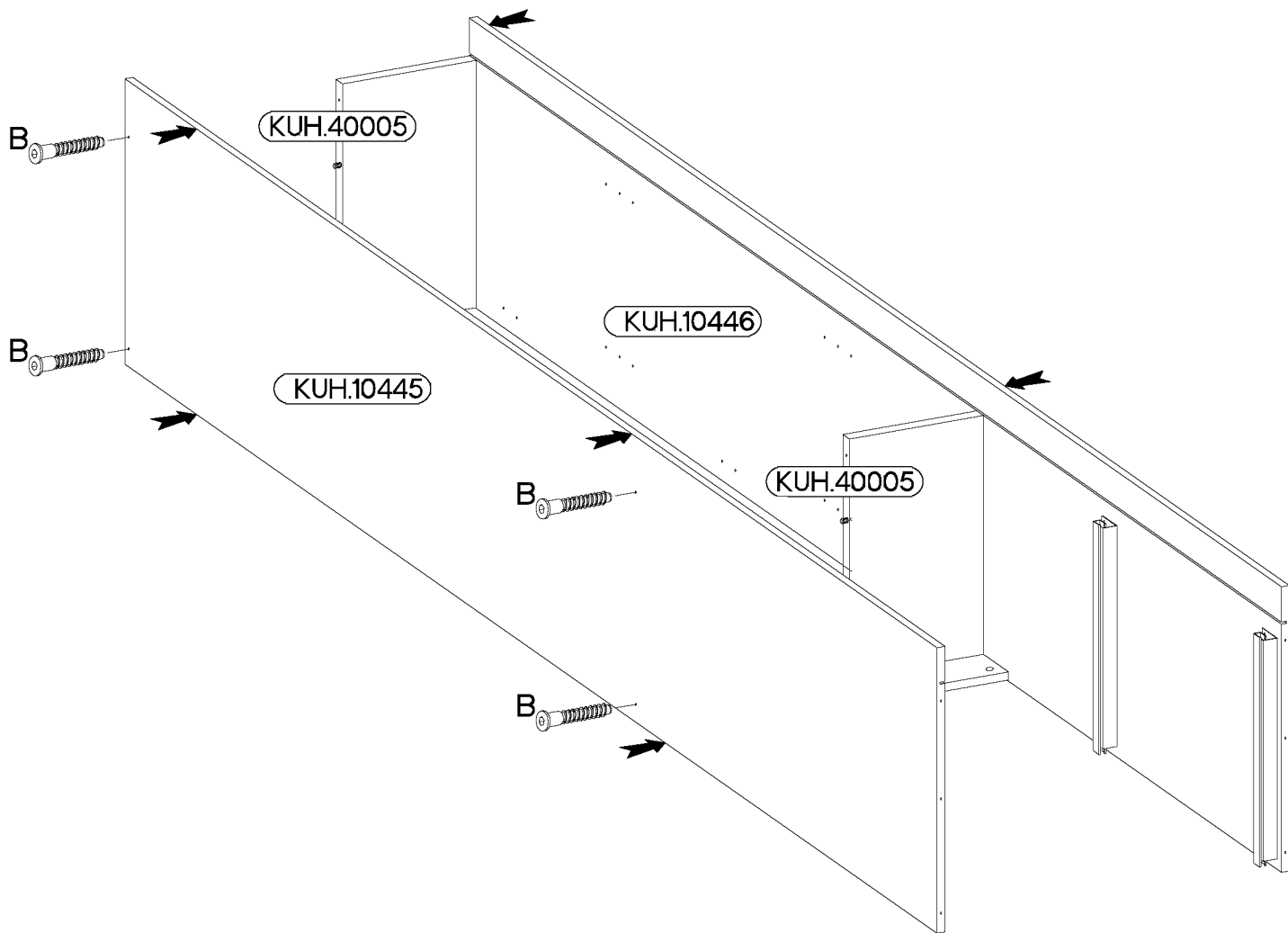
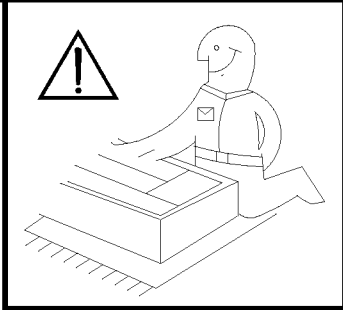


5

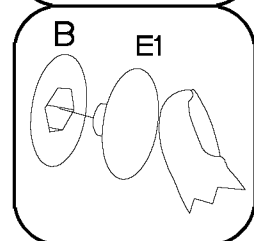
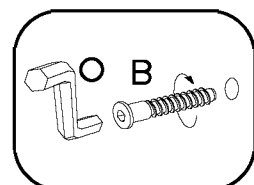
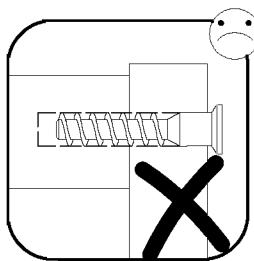
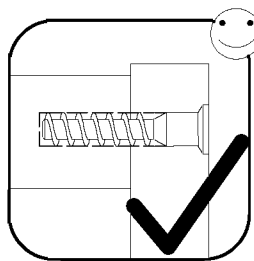
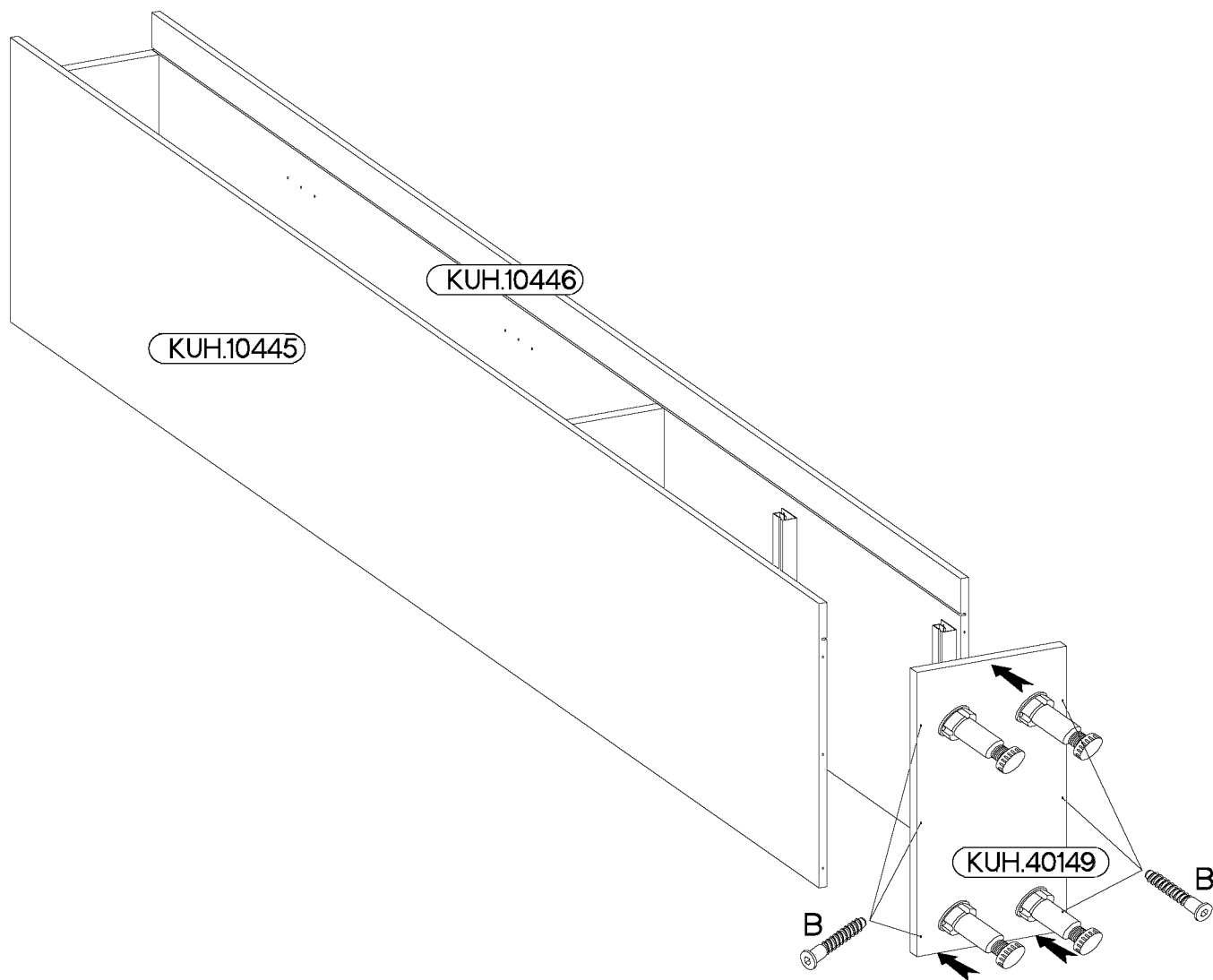
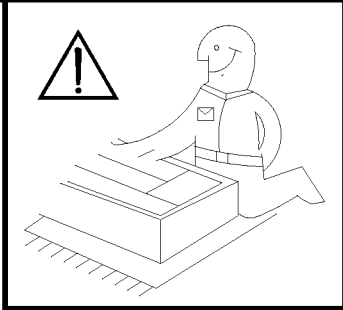
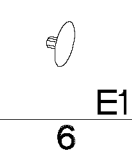
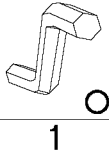
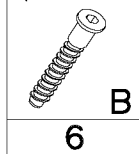


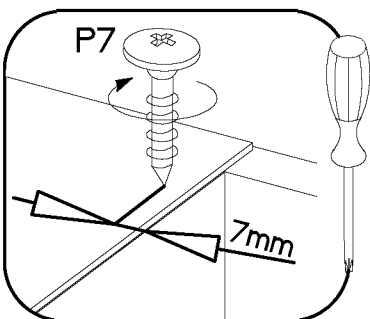
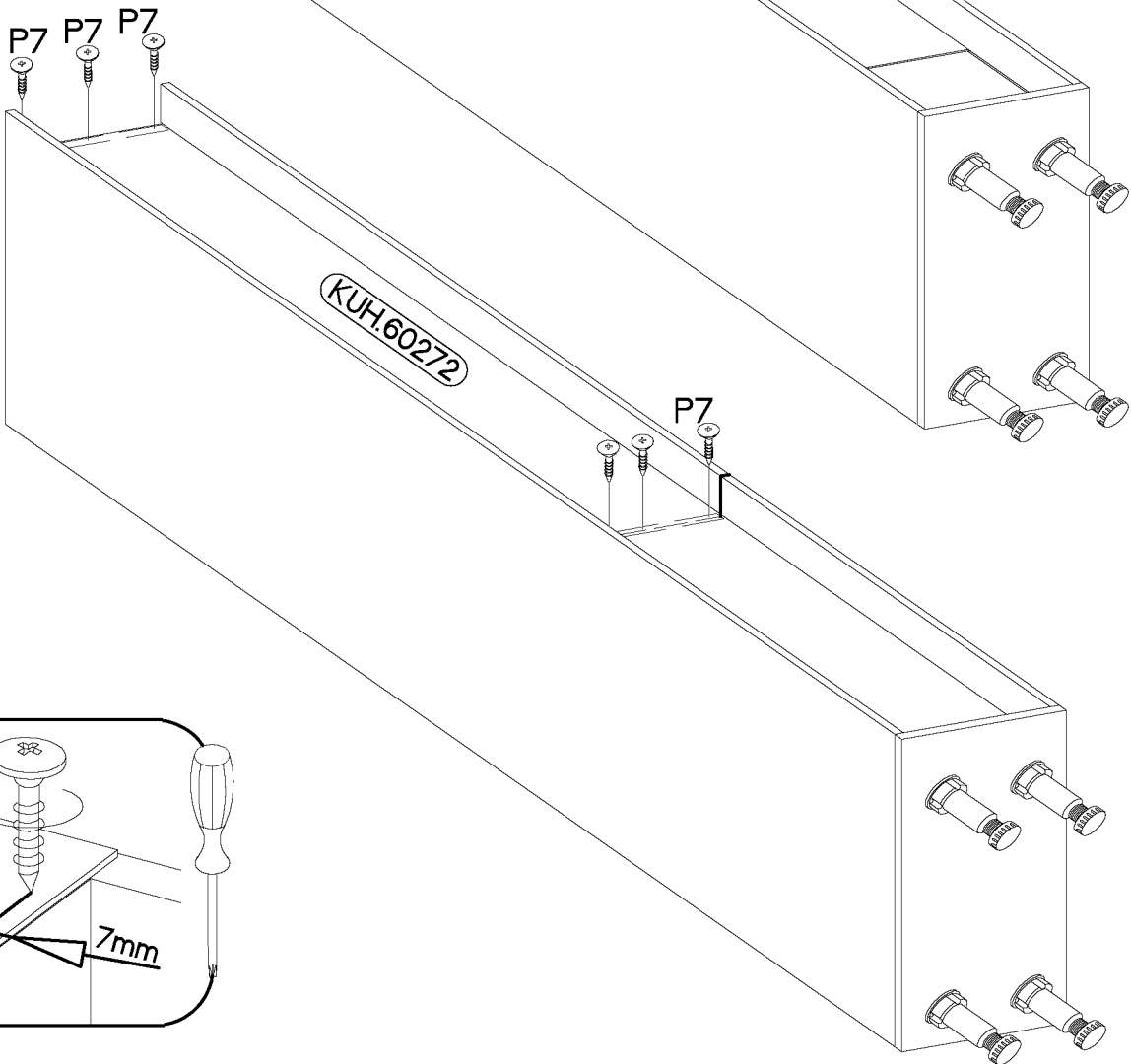
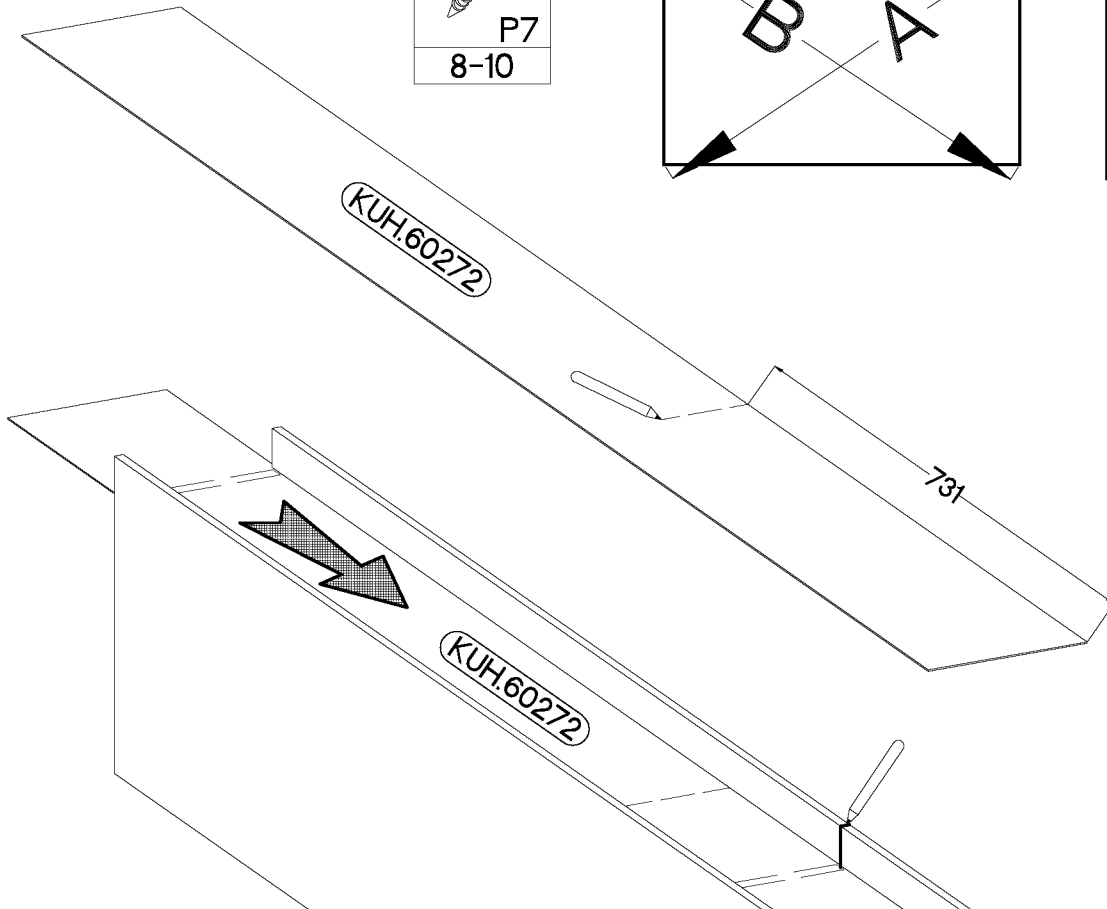
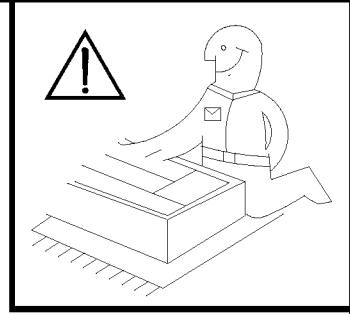
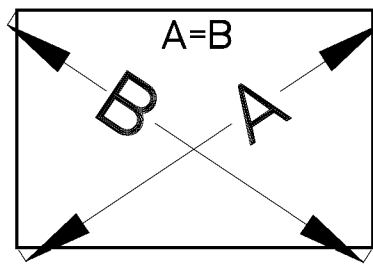
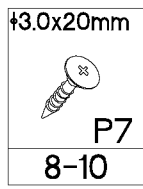
6,4 x 50mm

 B	 O	 E1
4	1	4


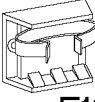


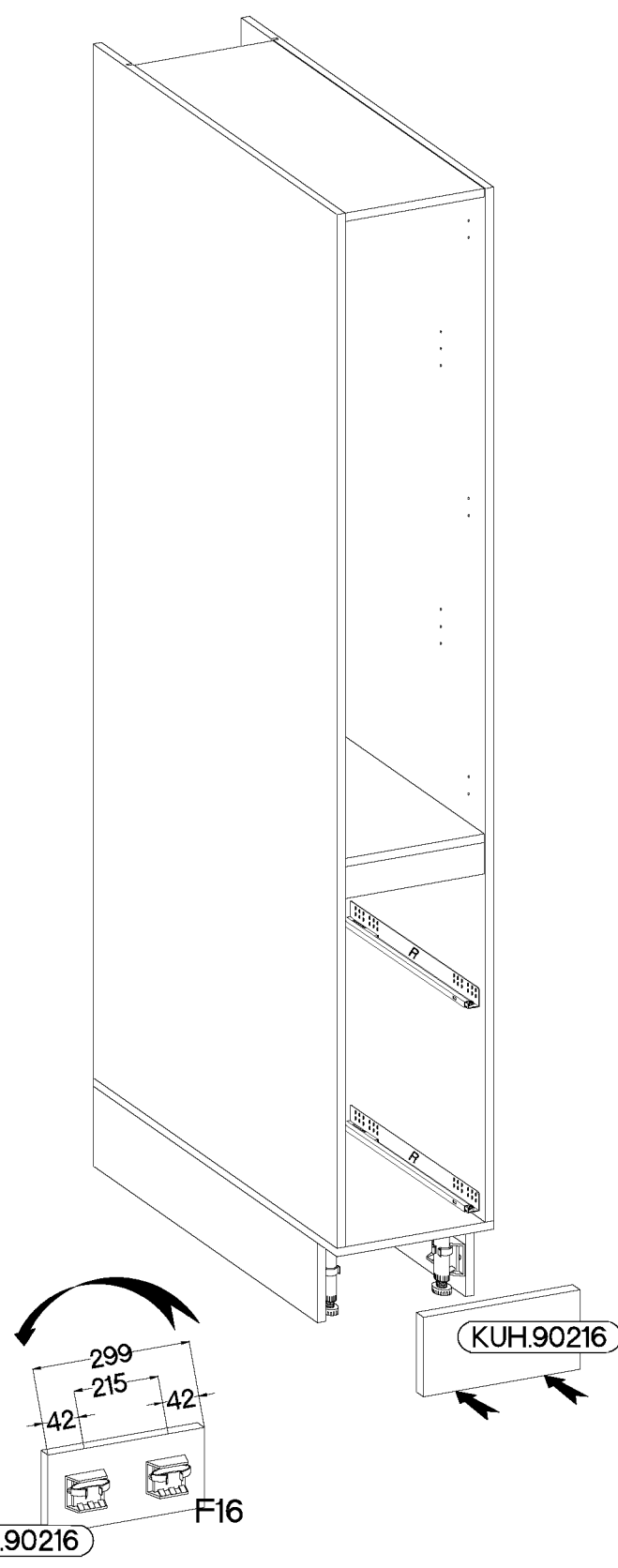
6,4 x 50mm

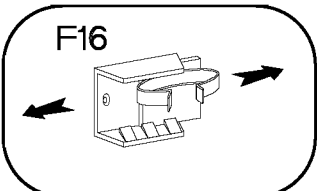
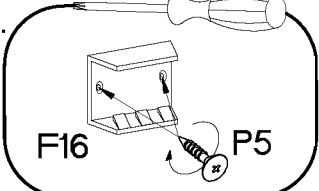
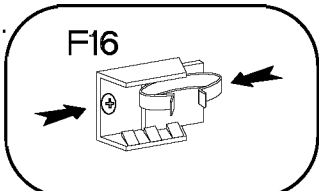
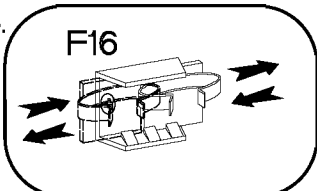






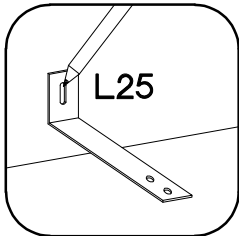
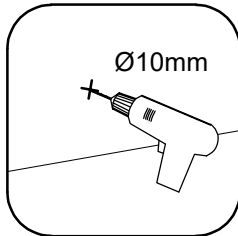
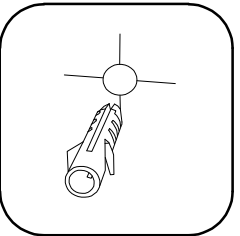
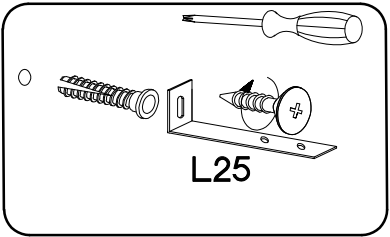
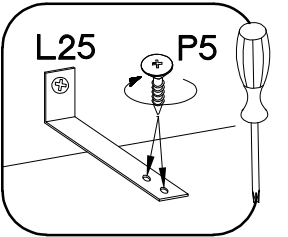


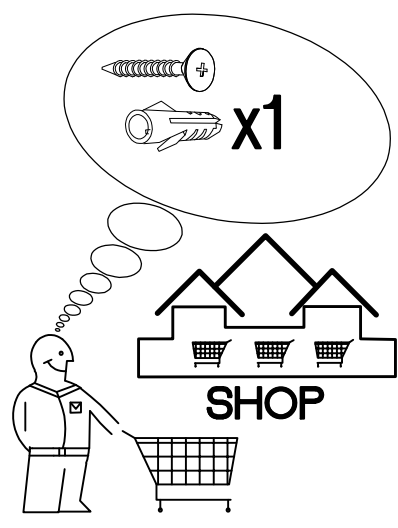
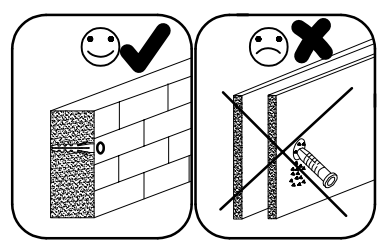
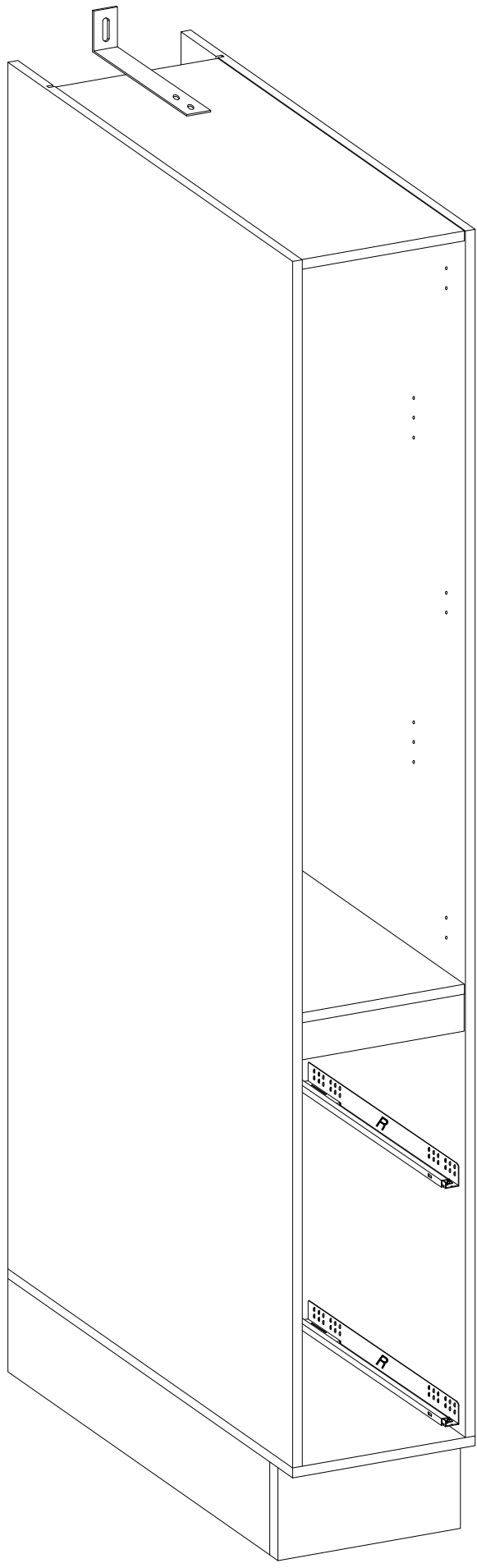
3.5x13mm	
	
P5	F16
12	6




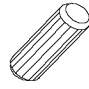
- 
- 
- 
- 

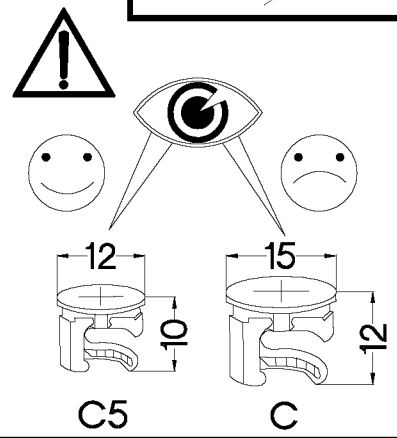
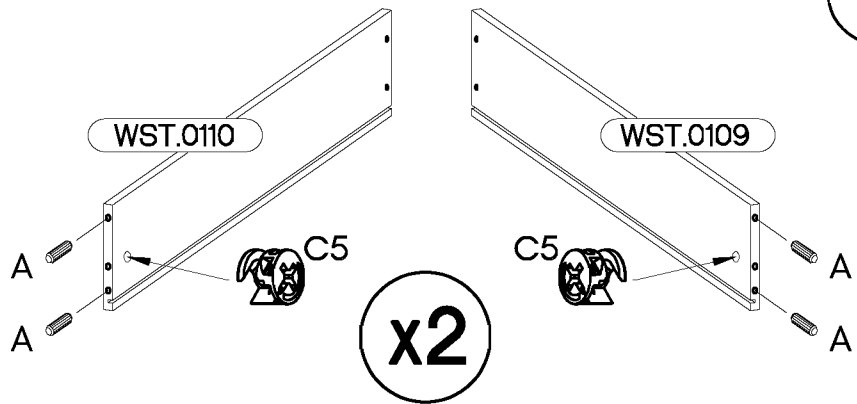
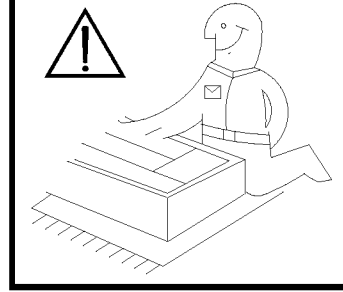
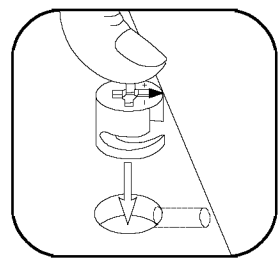
120x30x15mm	3.5x13mm
	
L25	P5
1	2

- 
- 
- 
- 
- 

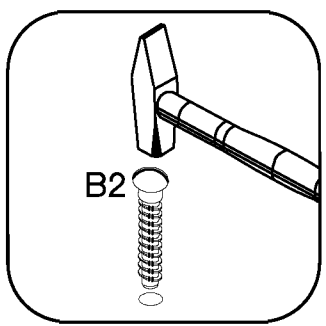



11

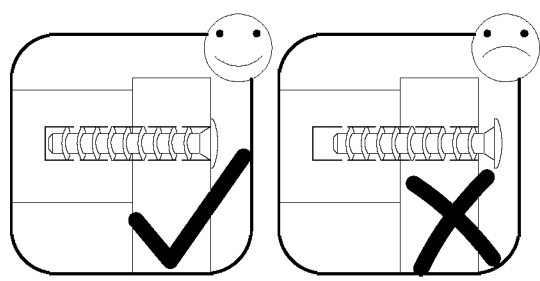
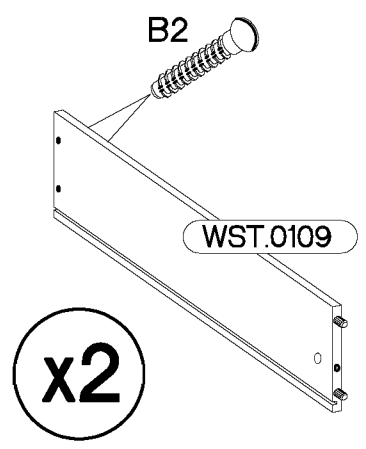
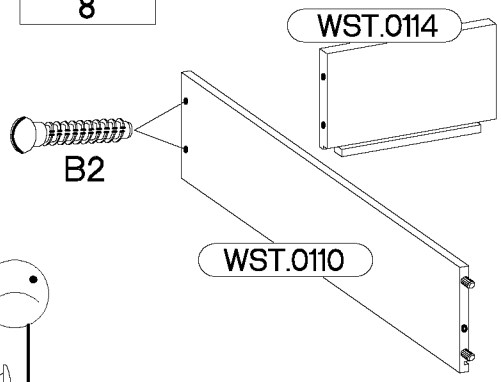
±12/10mm  C5 4	±8x30mm  A 8
---	---



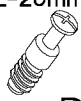
12

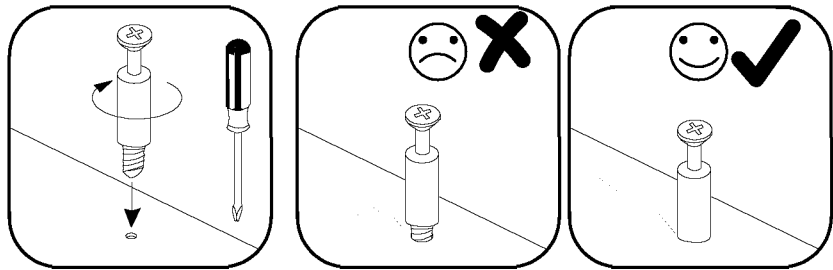
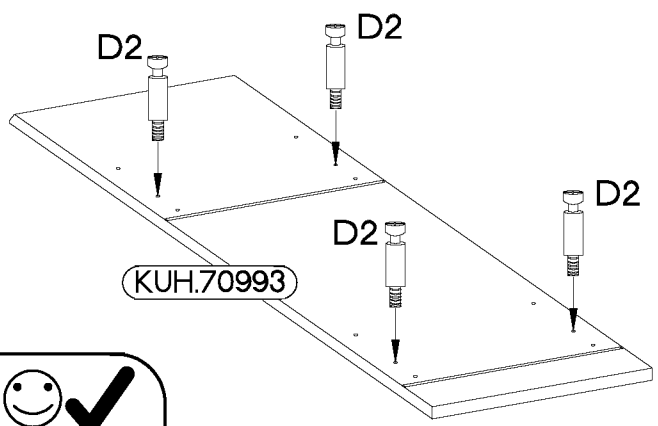


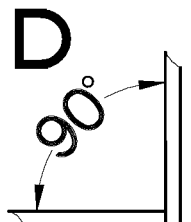
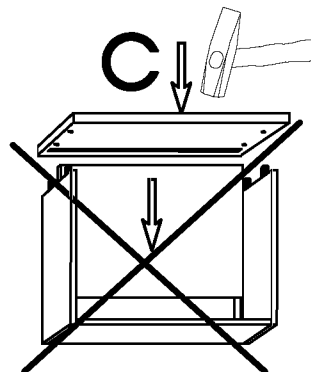
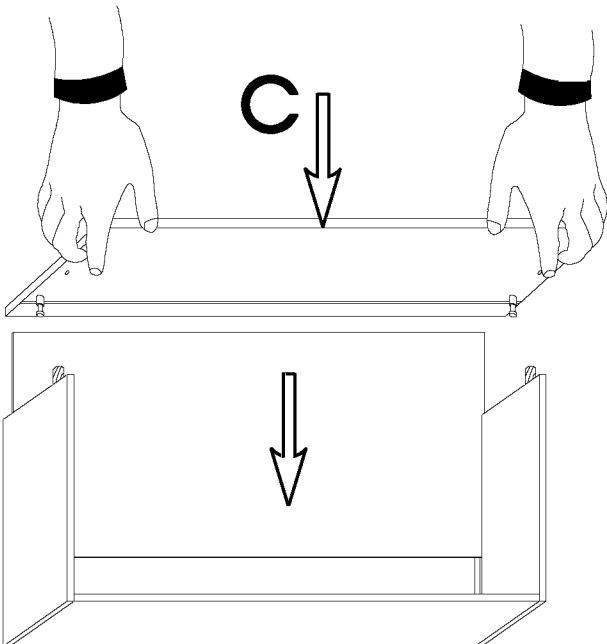
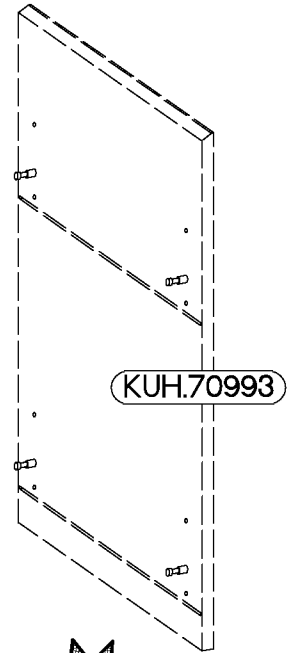
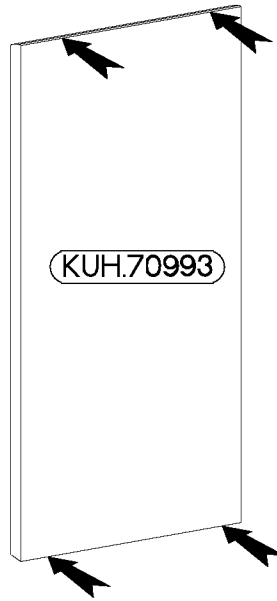
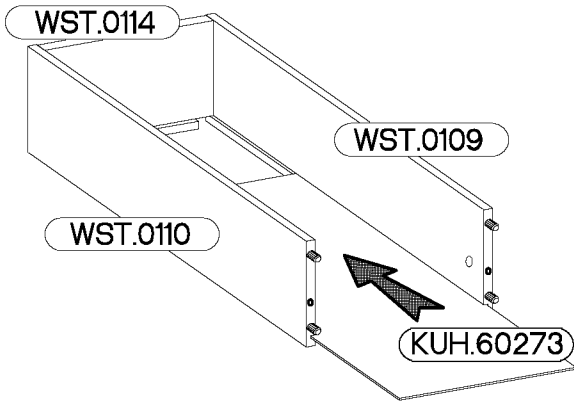
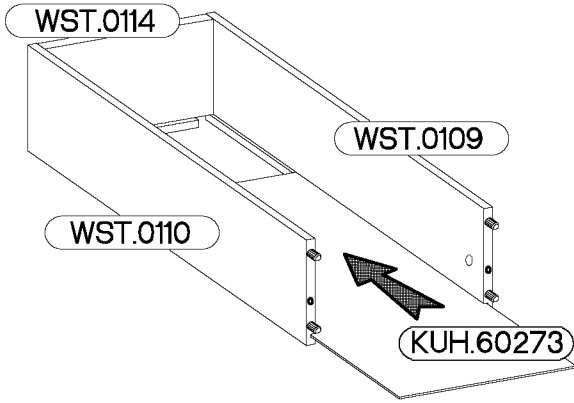
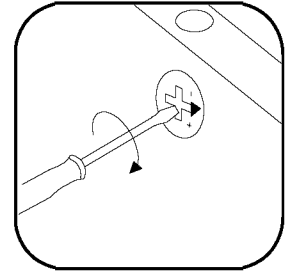
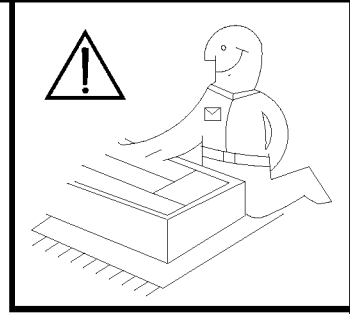
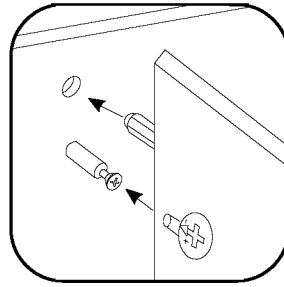
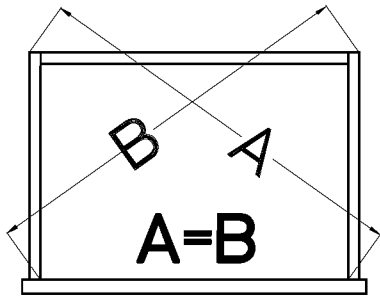
±6x42mm  B2 8
---




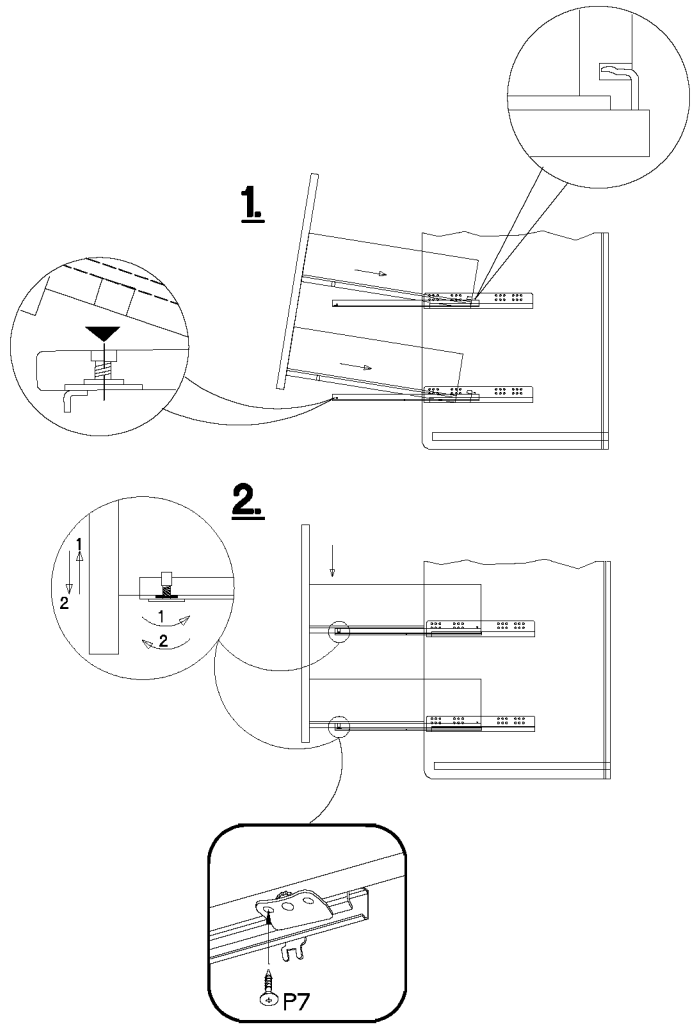
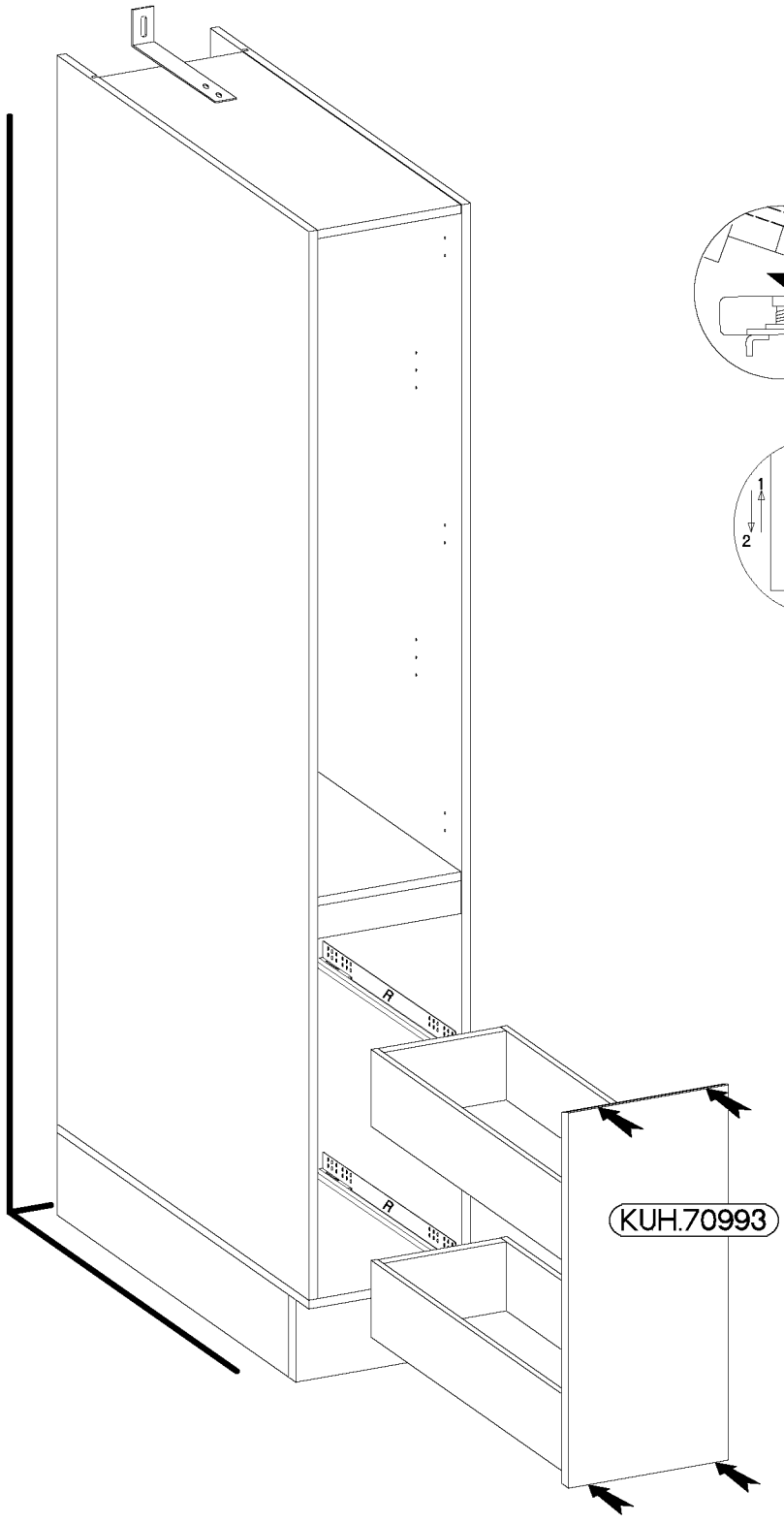
13

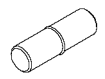
L=20mm  D2 4
--

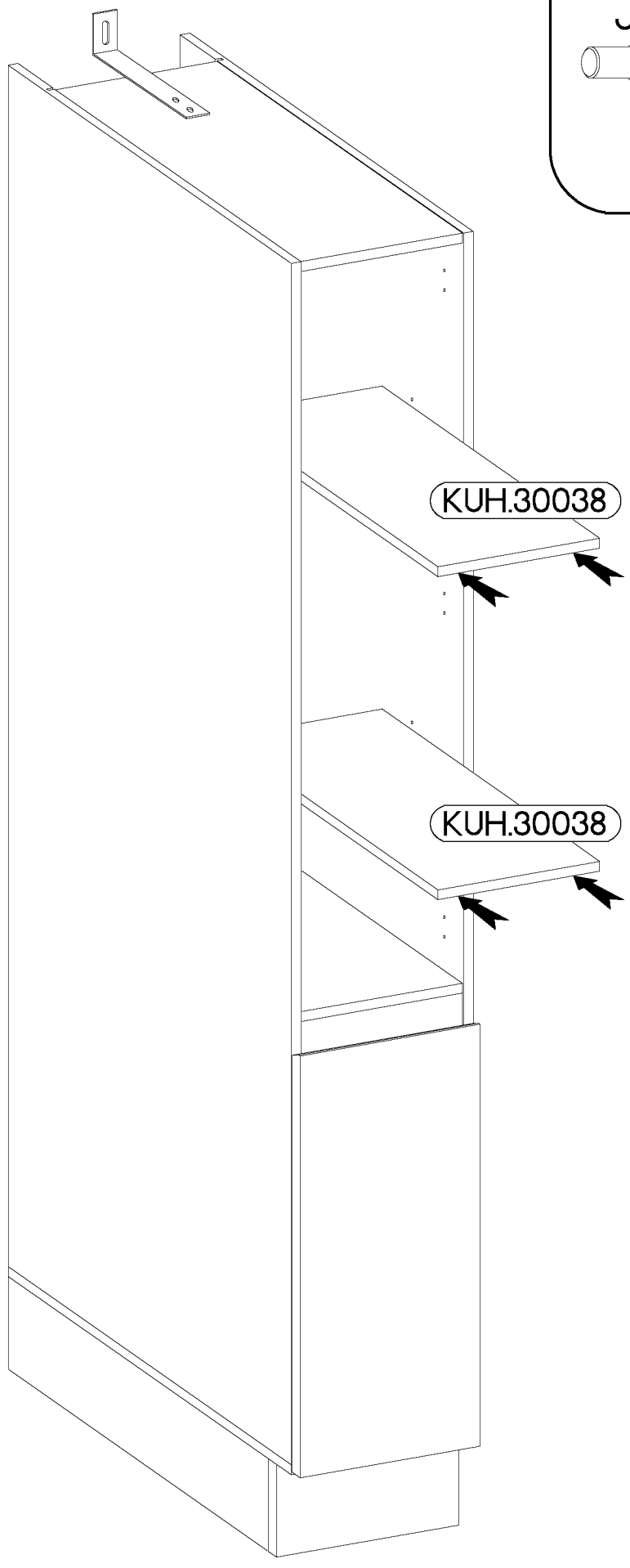
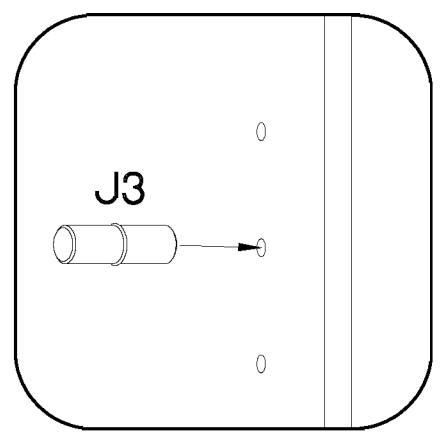




±3.0x20mm  
  
P7  
4

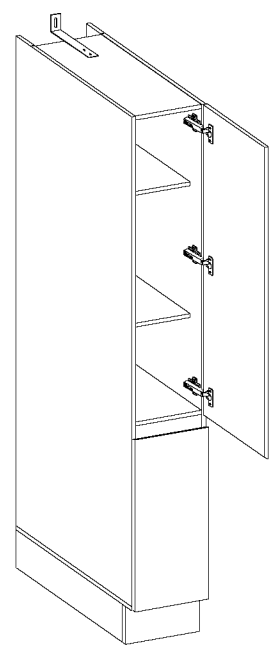
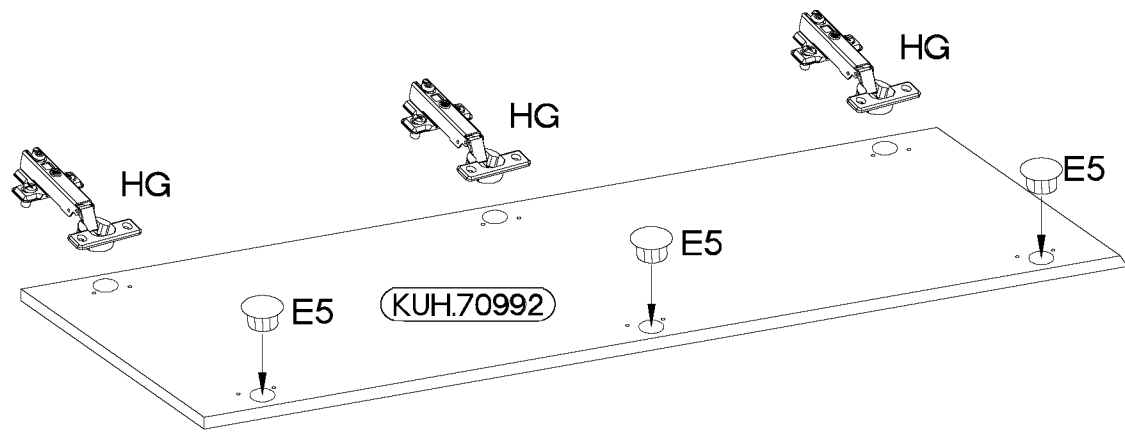


±5/16mm  
  
J3  
8

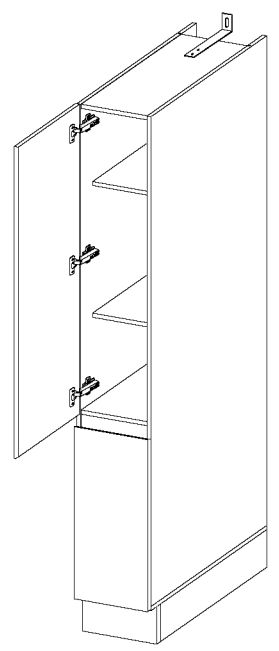
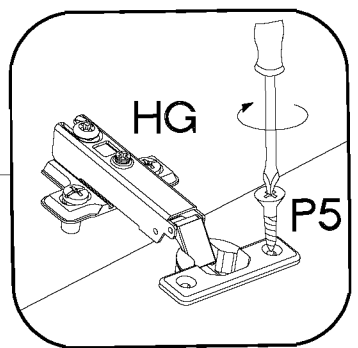
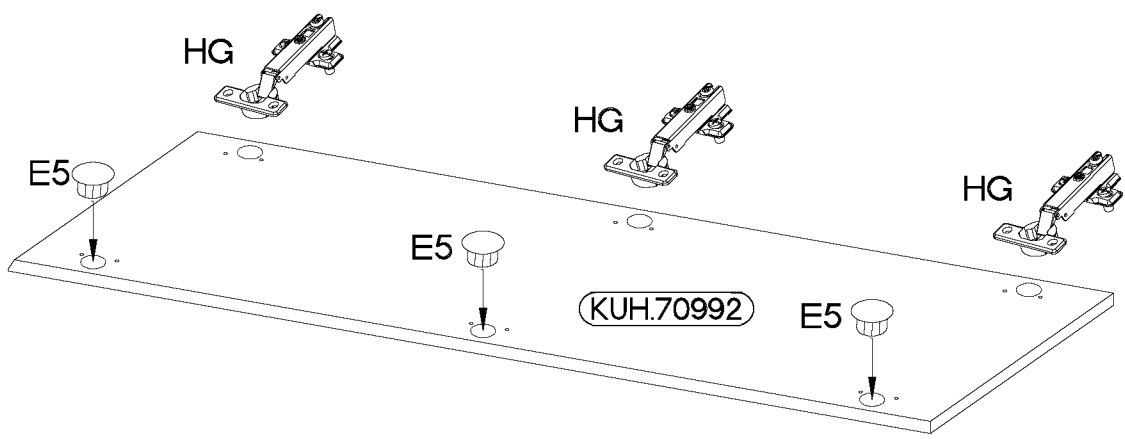


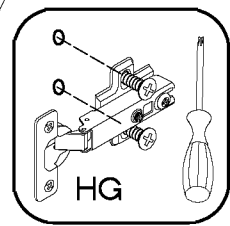
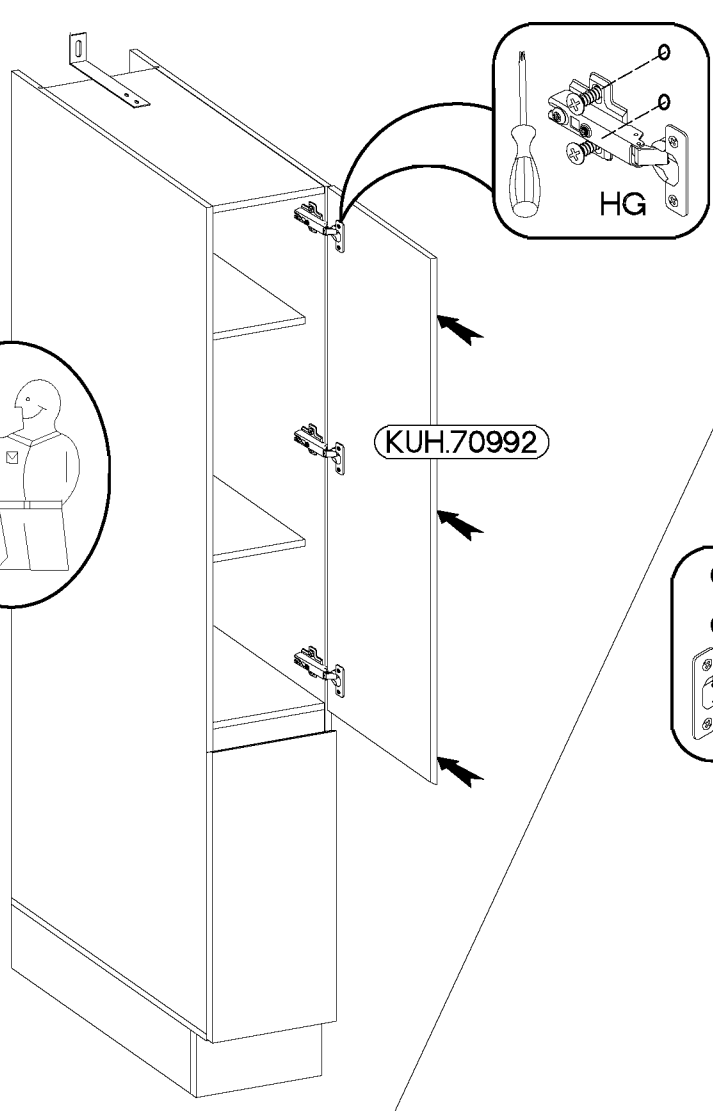
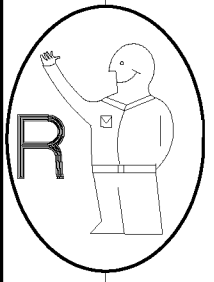
±35/0mm HG 3	±3.5x13mm P5 6	±35mm E5 3
--------------------	----------------------	------------------

# RIGHT



# LEFT





KUH.70992

