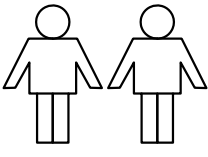
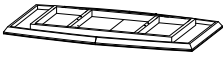

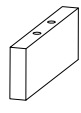
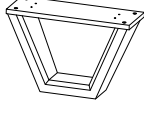



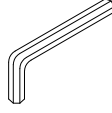


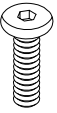
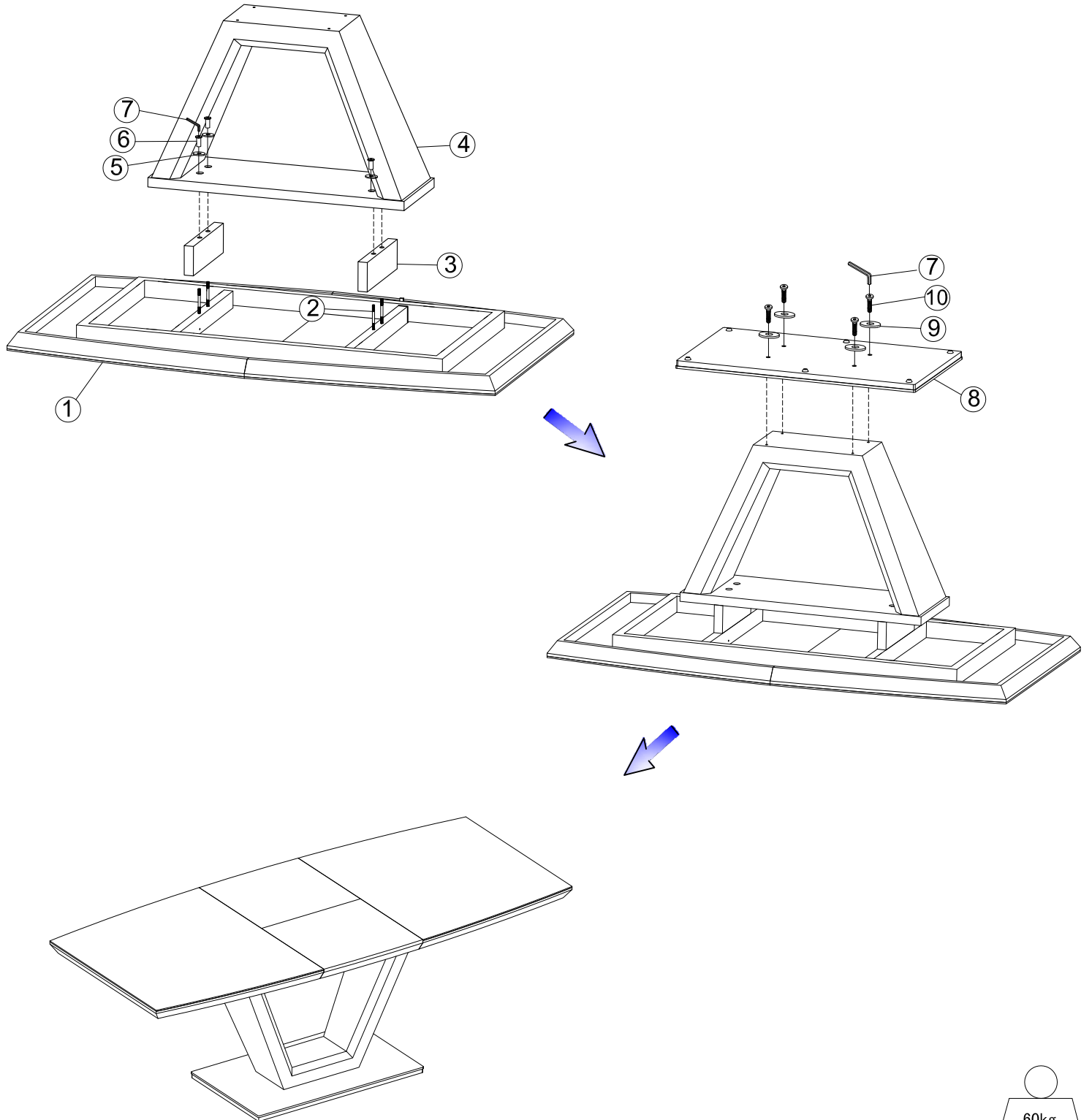



# 80953050006

# ASSEMBLY INSTRUCTION

	 (1600-2100) × 900 × 80mm ① × 1	 M8 × 155mm ② × 4	 240 × 30 × 120mm ③ × 2	 840 × 290 × 540mm ④ × 1	 M10 × 20mm ⑤ × 4
	 M8 × 25mm ⑥ × 4	 5# ⑦ × 1	 835 × 485 × 31mm ⑧ × 1	 M8 × 25mm ⑨ × 4	 M8 × 50mm ⑩ × 4



  
60kg