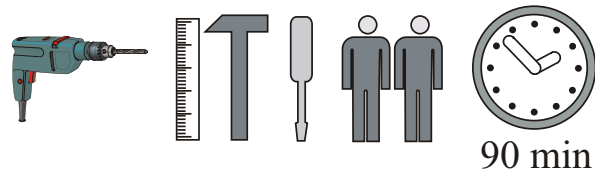
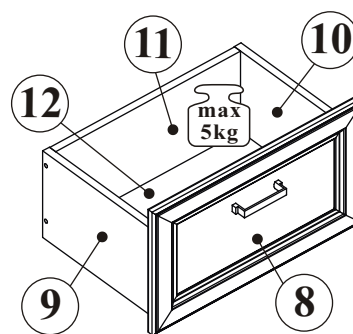
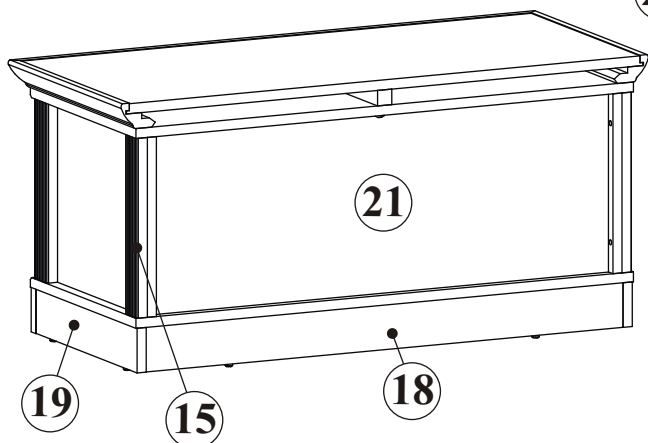
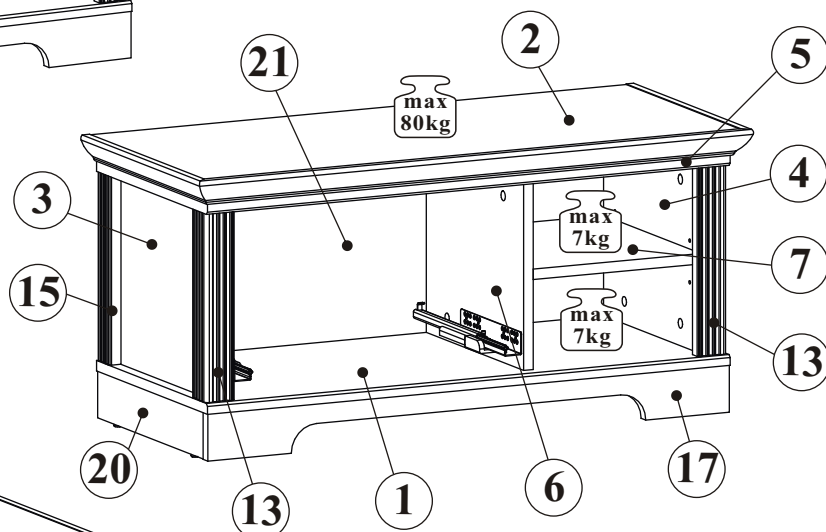
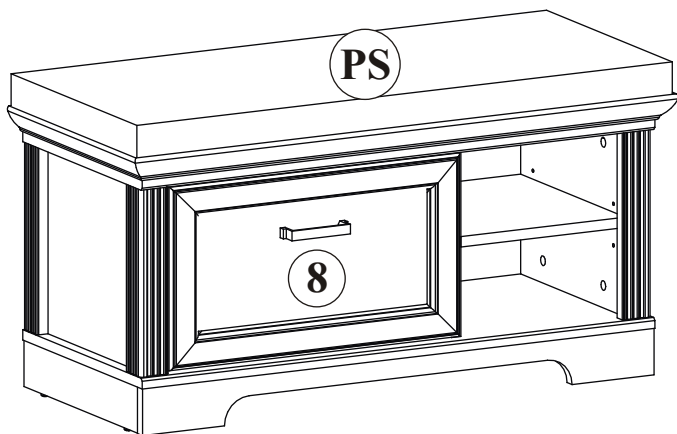
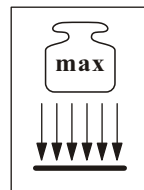


JASMIN 30B1_60

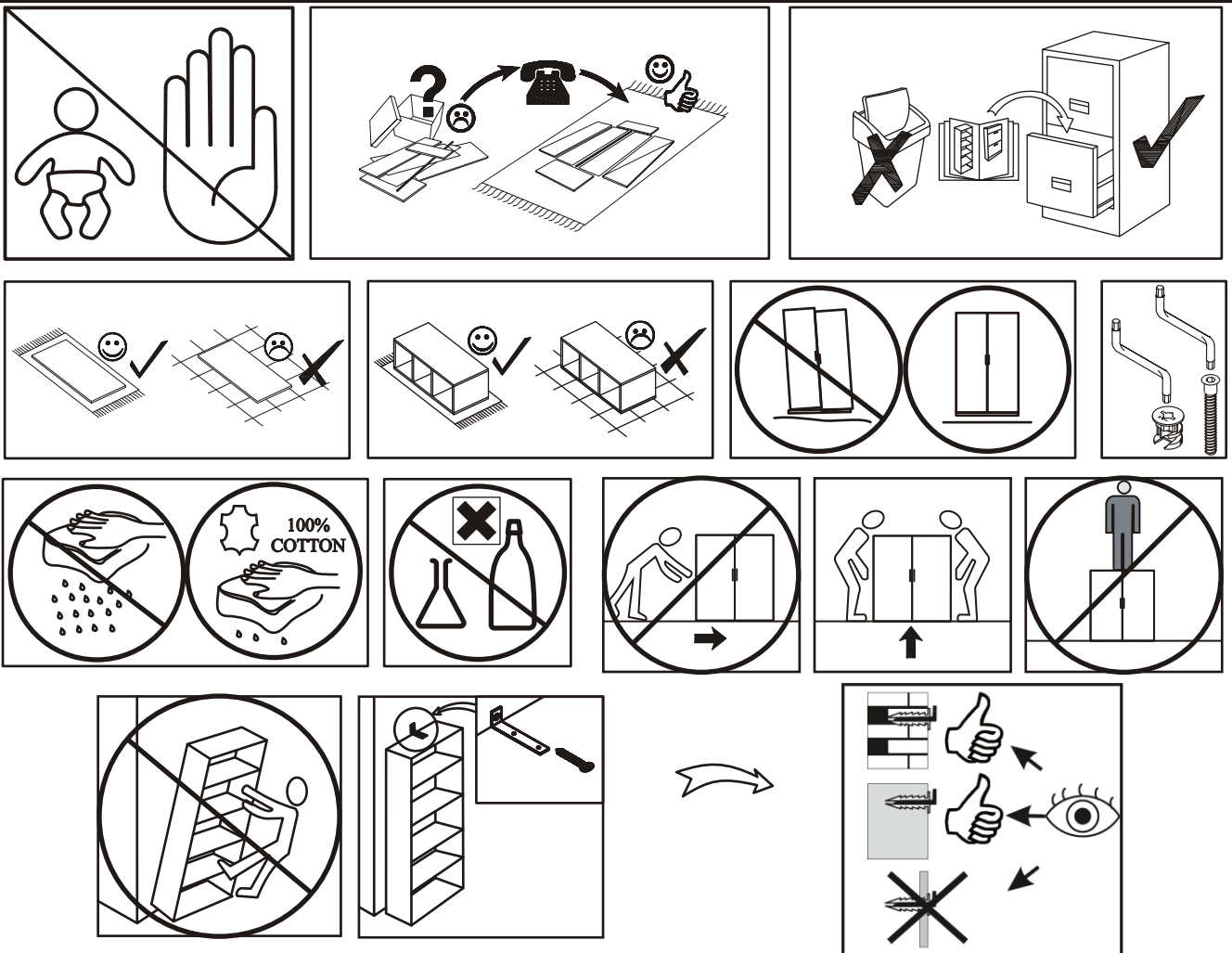
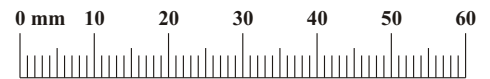


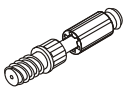
NO	Dim.		Col.-No	Qty
1	876	380	1	1
2	929	406	1	1
3	290	353	2	1
4	290	353	2	1
5	876	380	1	1
6	290	333	2	1
7	281	318	2	1
8	496	283	2	1
9	300	200	2	1
10	300	200	2	1

NO	Dim.		Col.-No	Qty
11	442	186	2	1
12	304	454	2	1
13	290	49	2	2
15	290	43	2	2
17	874	72	1	1
18	840	72	1	1
19	363	72	2	1
20	363	72	2	1
21	302	816	1	1

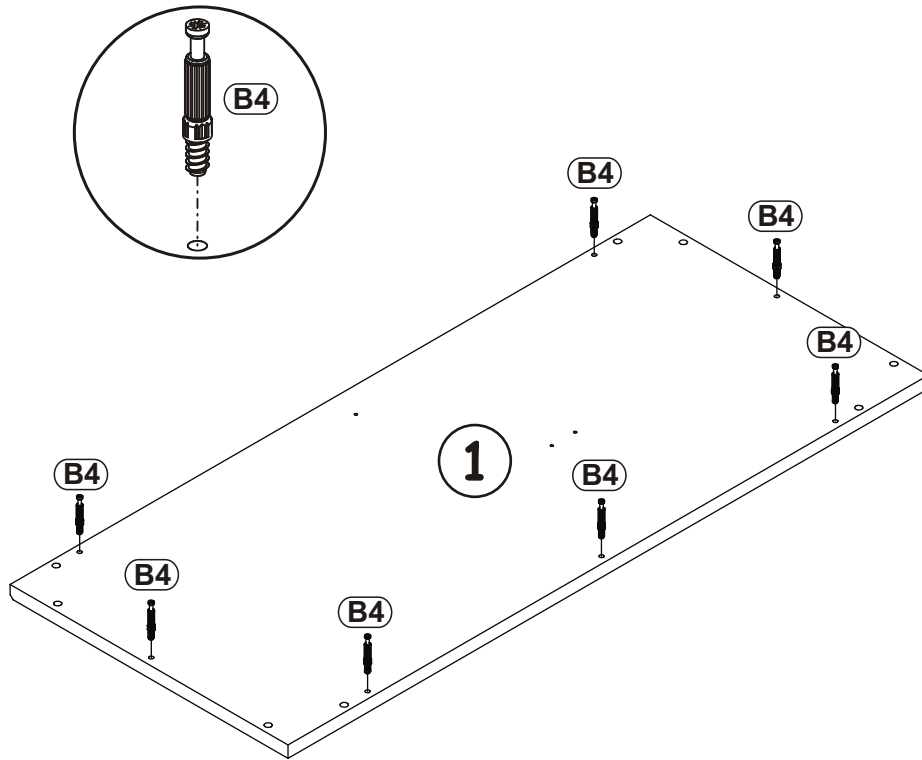
JASMIN 30B1__60

A1 x28 ø8x36	B4 x27	B5 x27 ø15x12	G5 x27	B11 x4 Ø7x50	B14 x15 Ø7x30
QU x1 L-300	D20 x4 ESØ6,3x9,5	H1 x2	EK6 x4 EKØ6,3x13	G4 x12	G12 x7 Ø14
C19 x1	D34 x2 M4x16	KM1 x1	D10 x6 USØ3,5x13	I9 x1 H-60 mm.	UP9 x4 UPØ3,5x16
G7 x4	UP13 x6 UPØ3x16	KR1 x1	I2 x6	S1 x9	G2 x1
L1 x1					

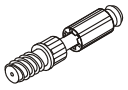


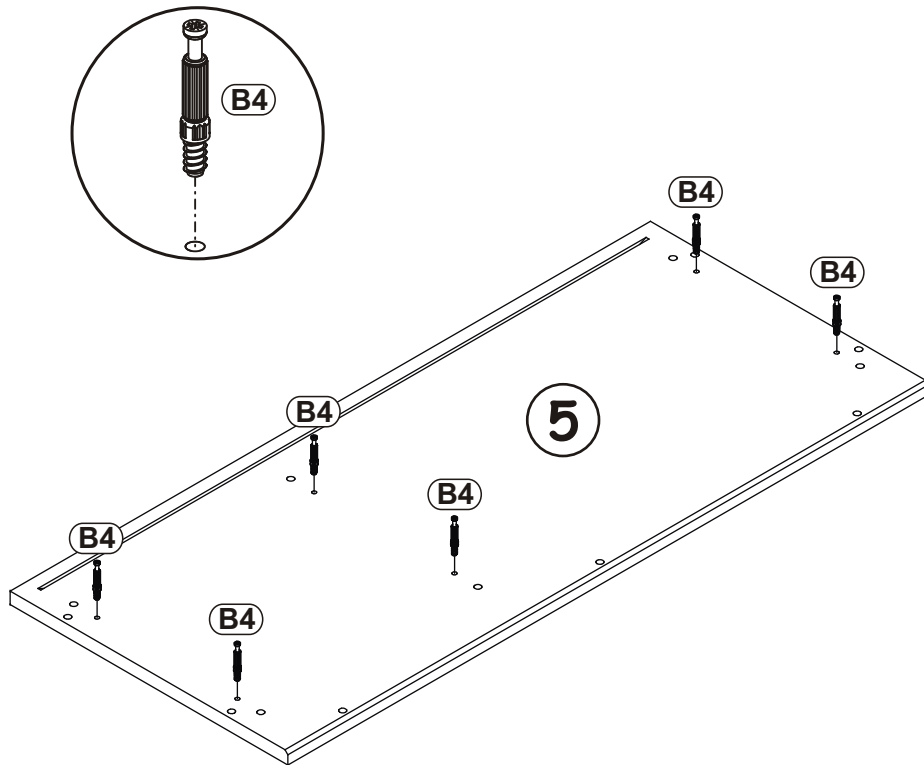
B4	
x7	

1

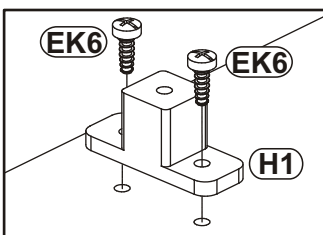
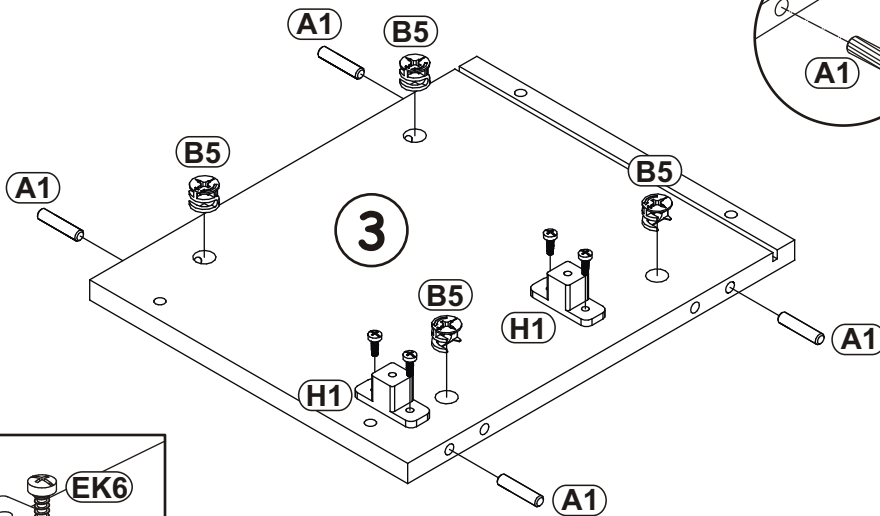
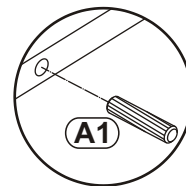
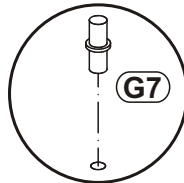
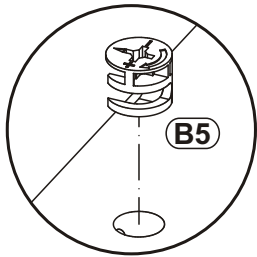
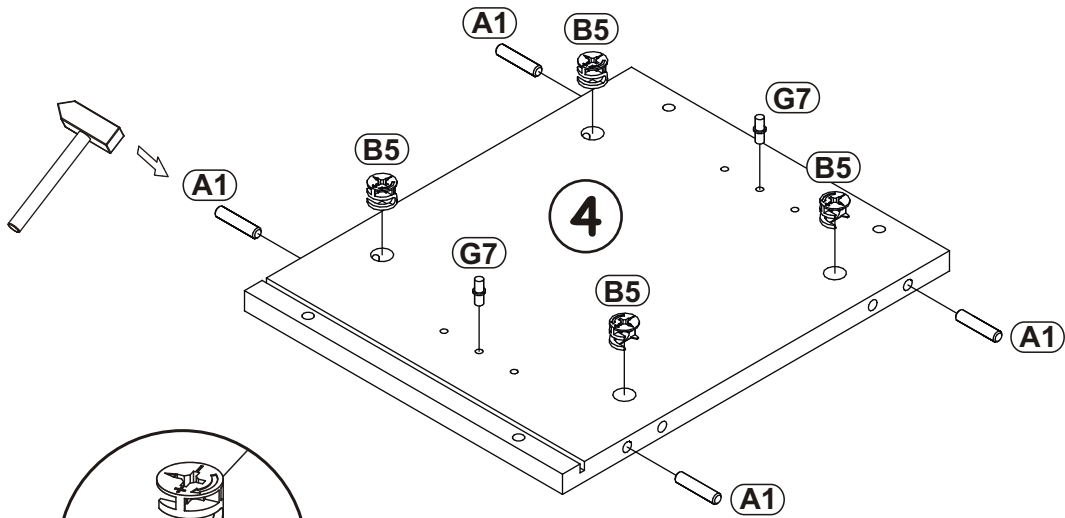
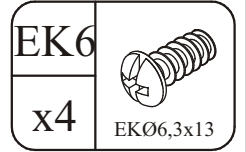
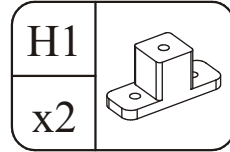
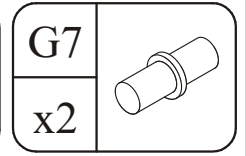
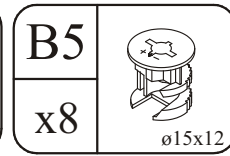
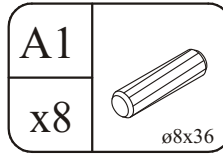


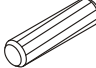

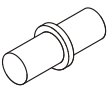
2

B4	
x6	

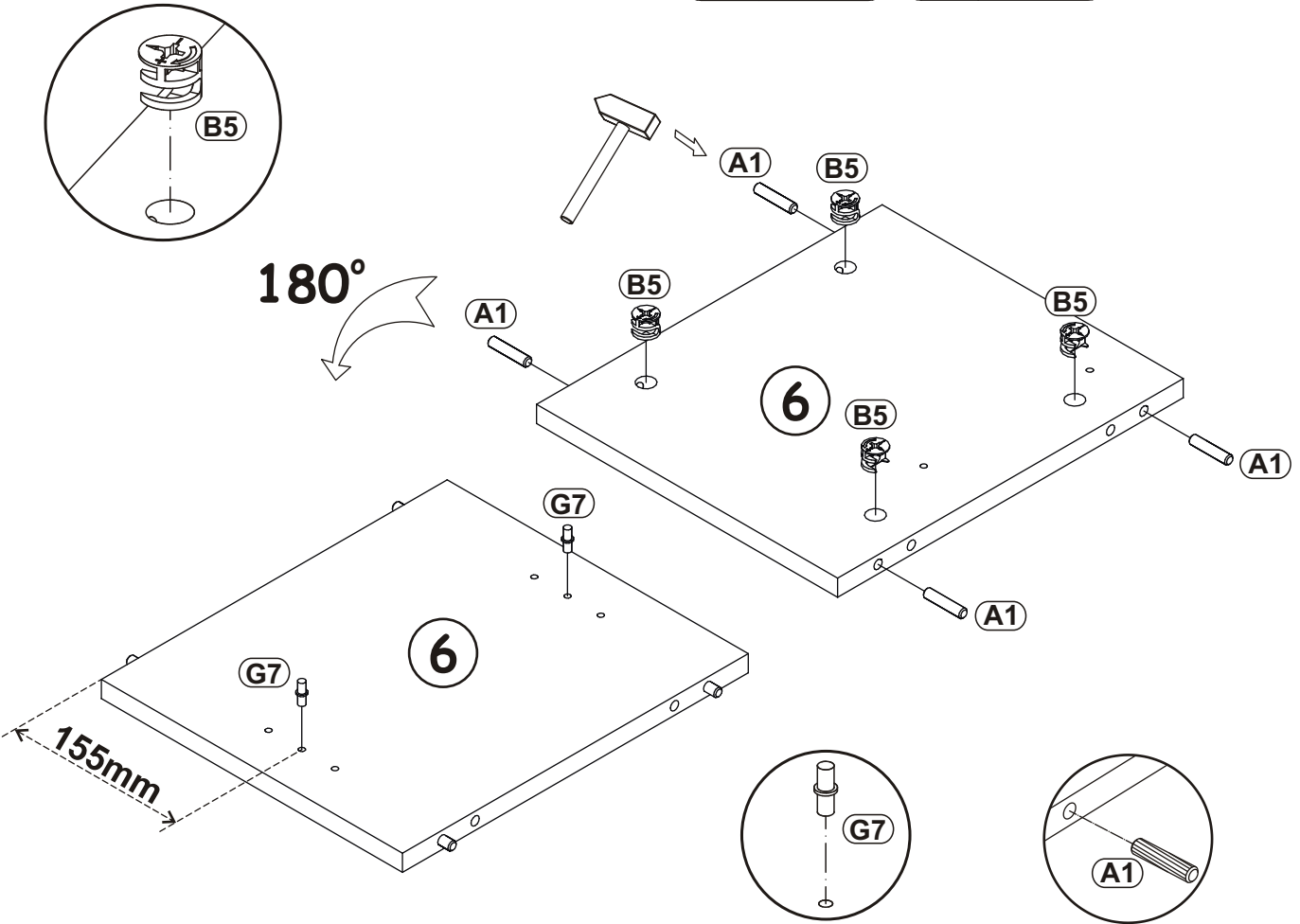


3

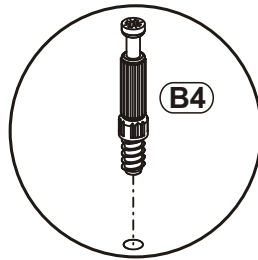
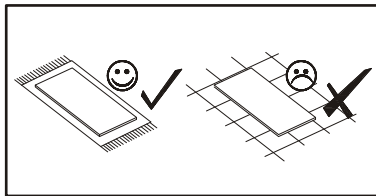


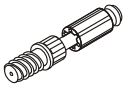
A1		B5		G7	
x4	ø8x36	x4	ø15x12	x2	

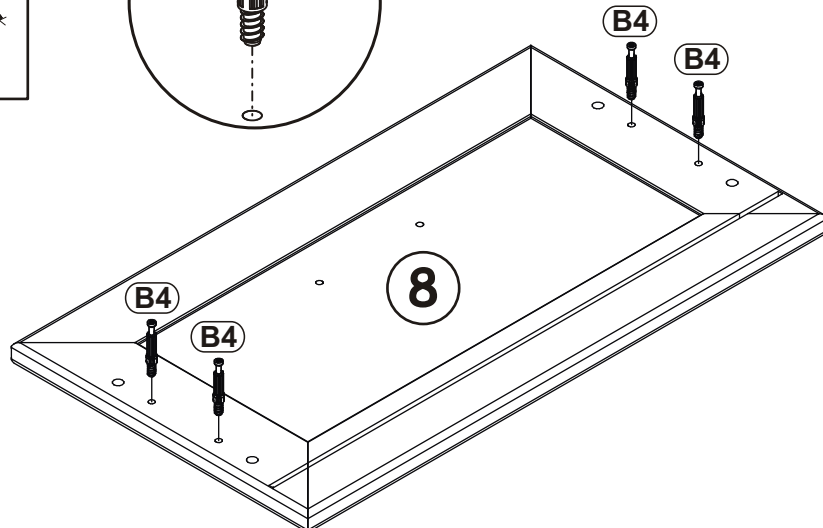
4



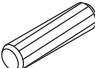

5

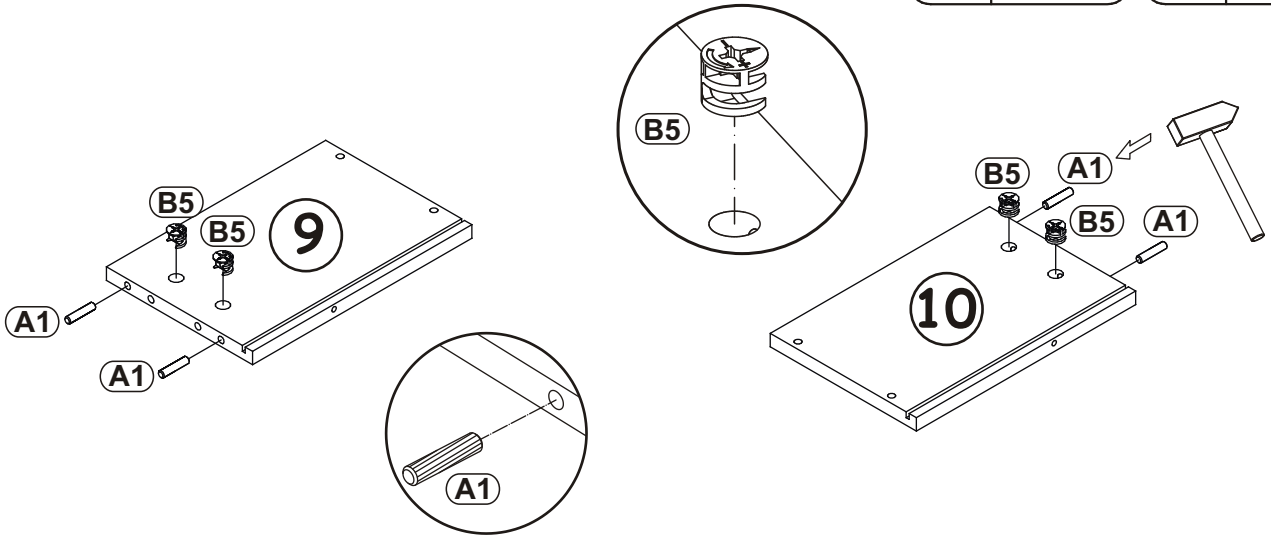


B4	
x4	

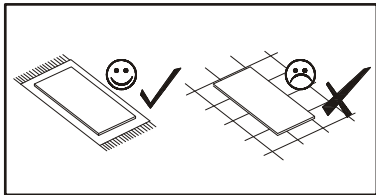


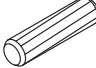
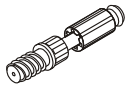

6

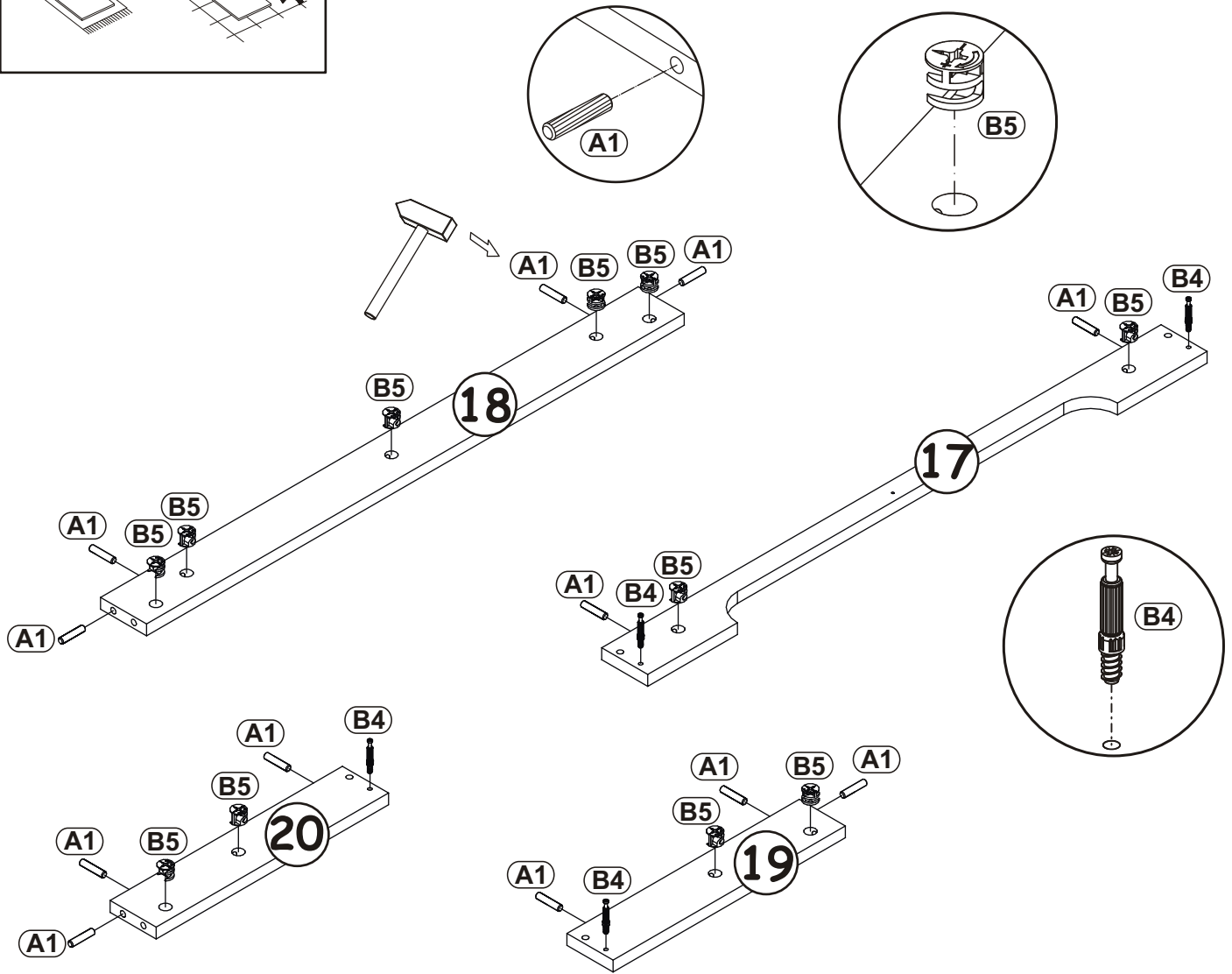
A1		B5	
x4	ø8x36	x4	ø15x12



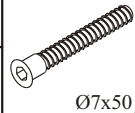

7

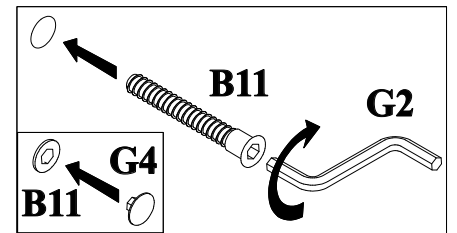
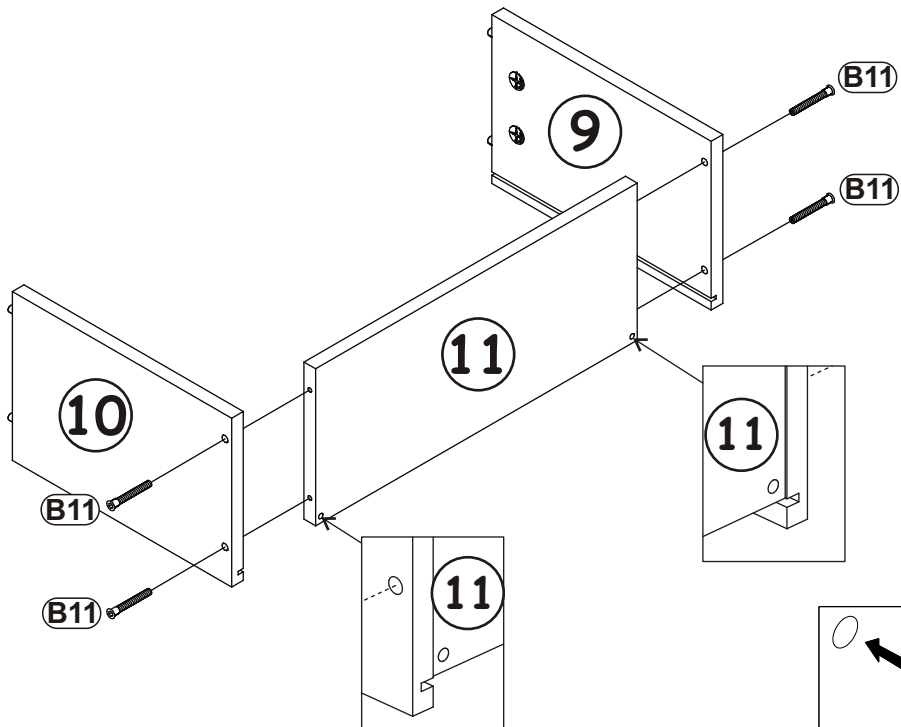


A1		B4		B5	
x12	ø8x36	x4		x11	ø15x12




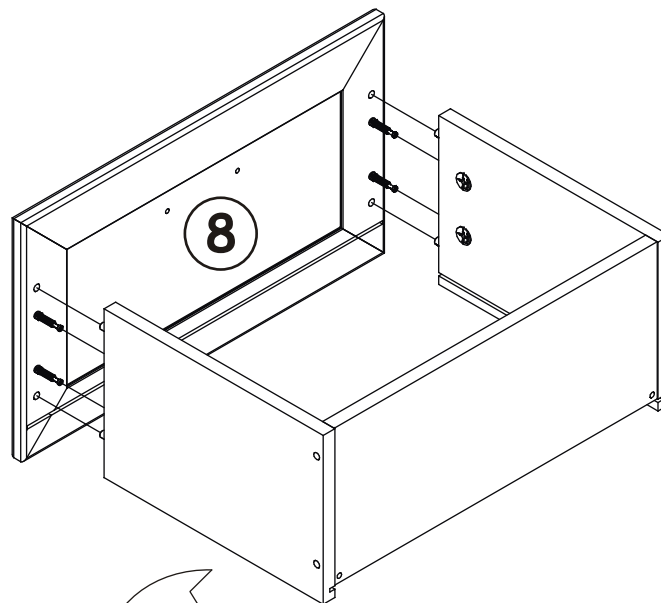
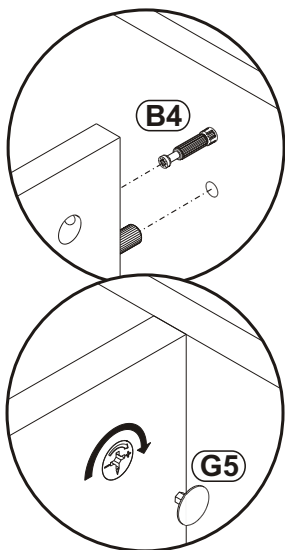
8

B11		G4	
x4	Ø7x50	x4	



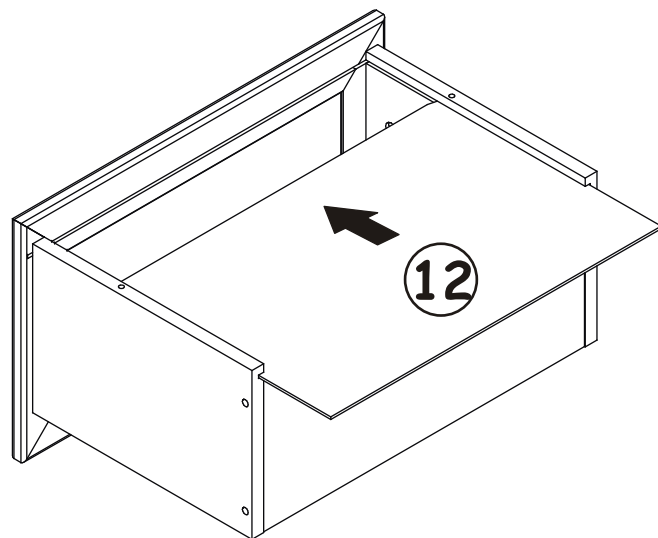
9

G5	
x4	



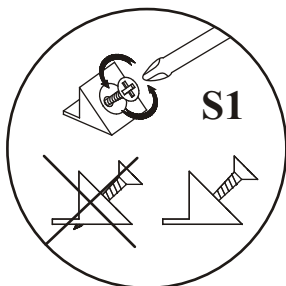
180°

10

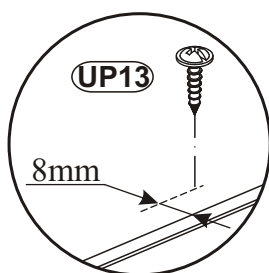
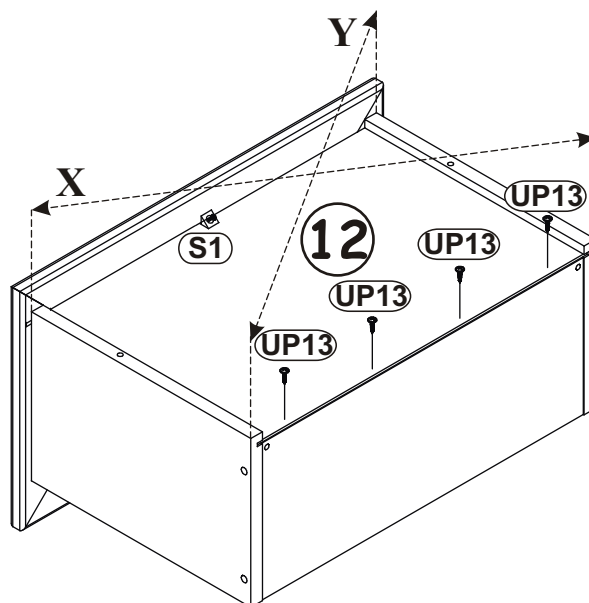


11



S1		UP13	
x1		x4	UPØ3x16

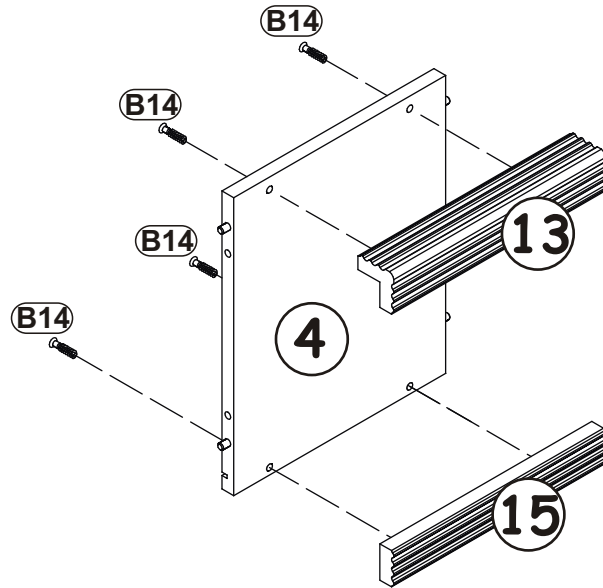
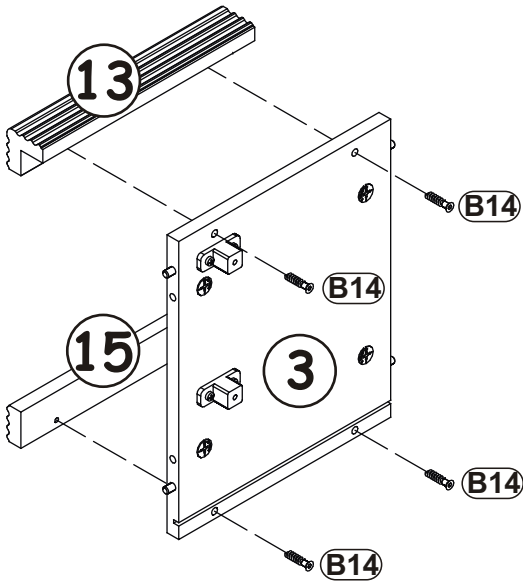
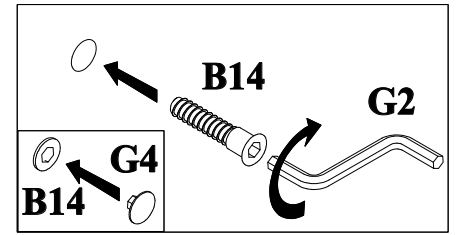


X=Y




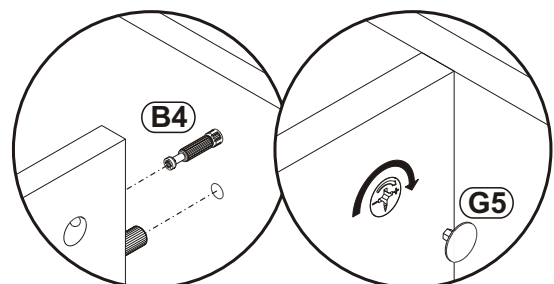
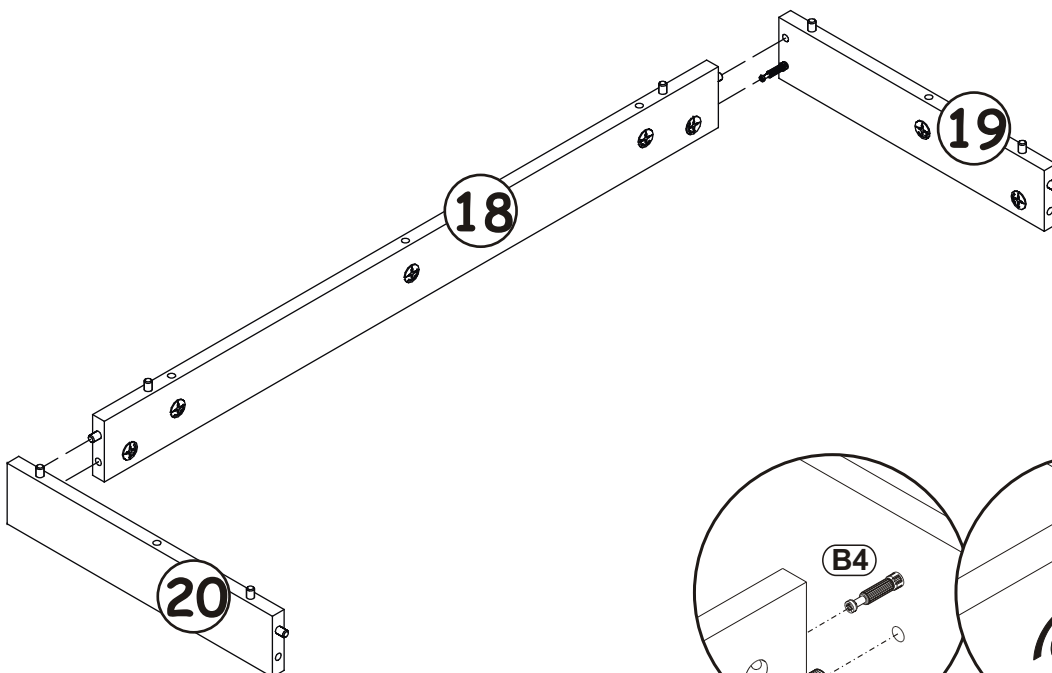
12


B14		G4	
x8	Ø7x30	x8	



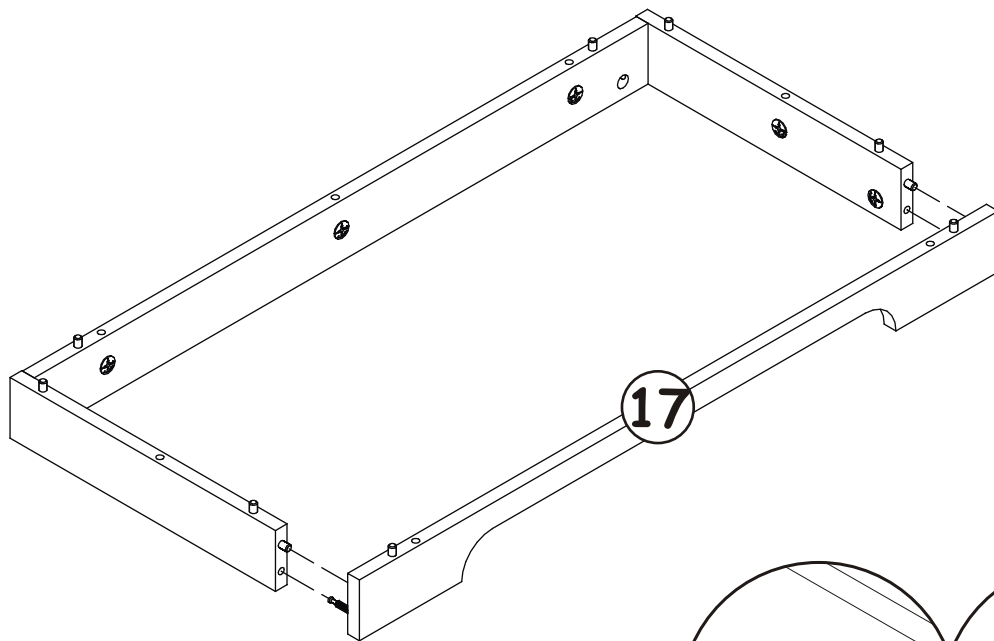
13

G5	
x2	

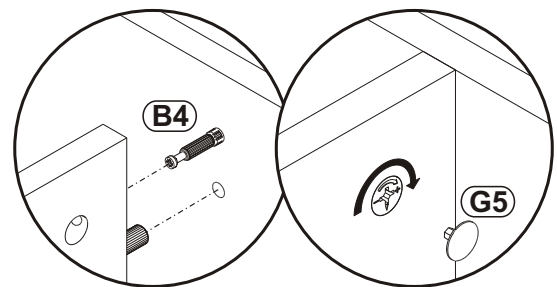


G5	
x2	


14

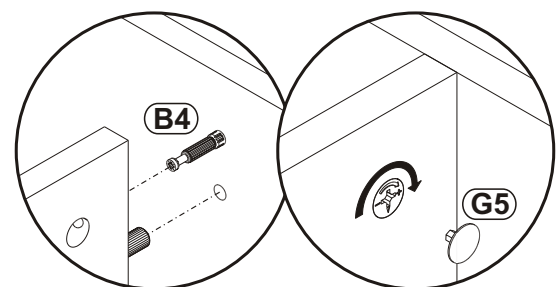
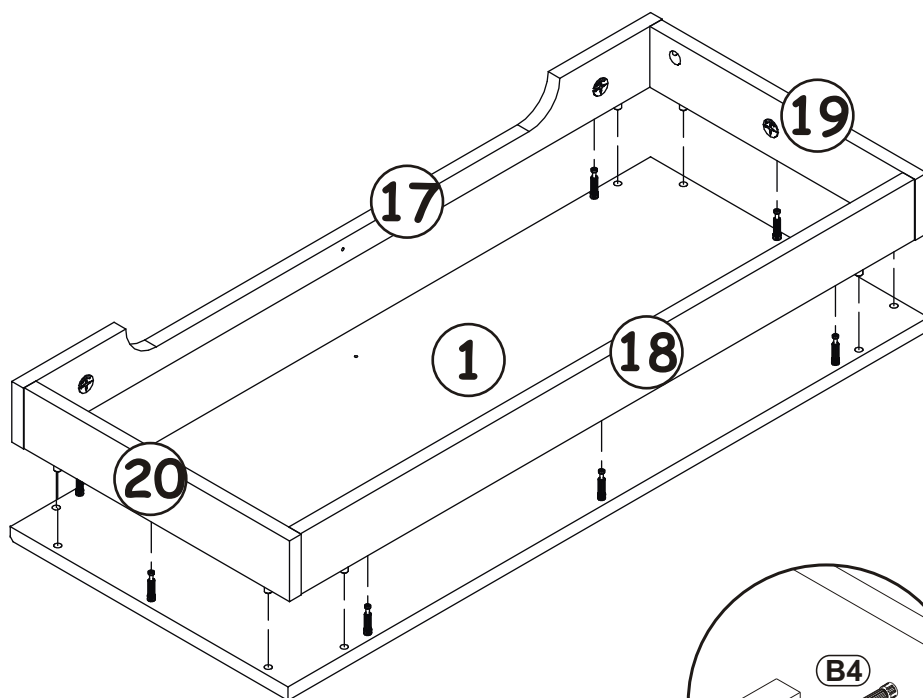


180°

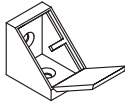



15

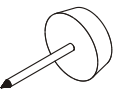
G5	
x7	

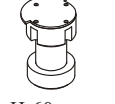



16

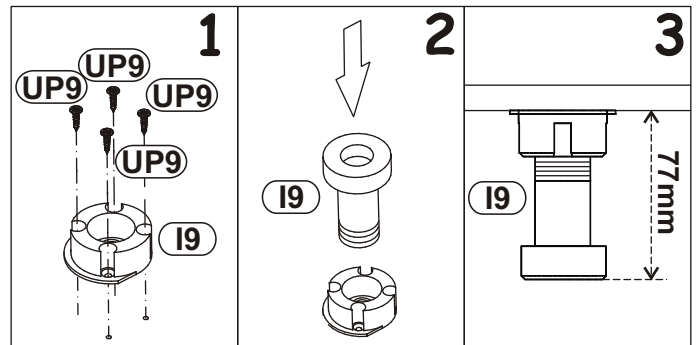
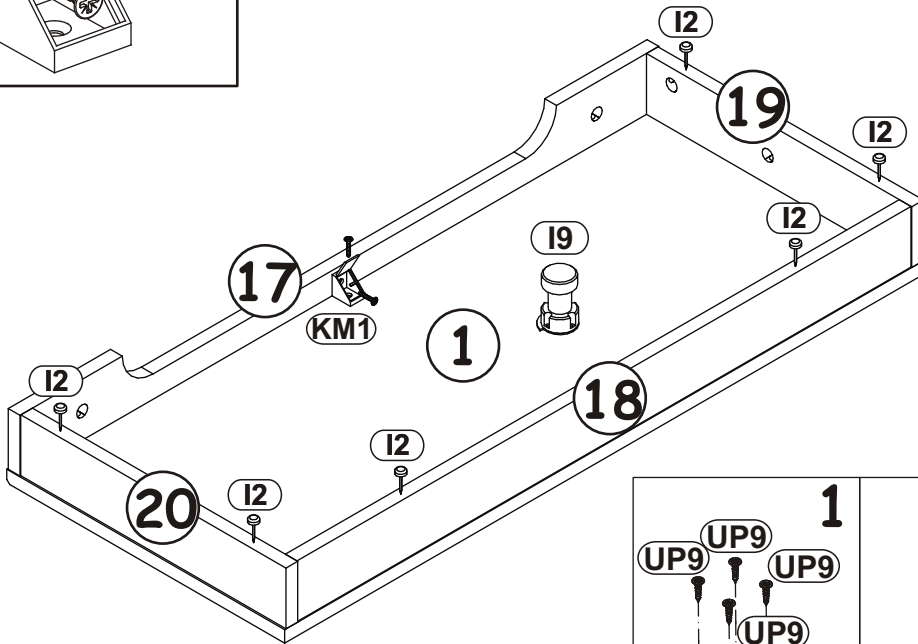
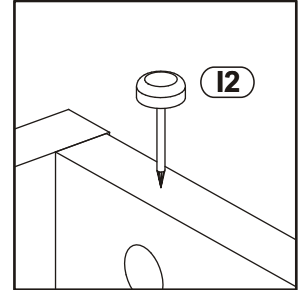
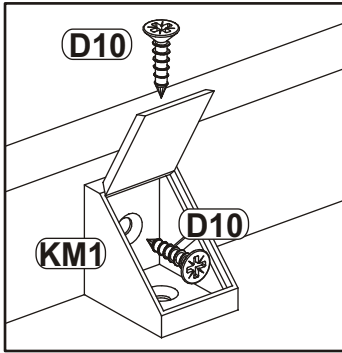
KM1	
x1	

D10	
x2	USØ3,5x13

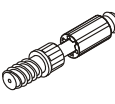
I2	
x6	

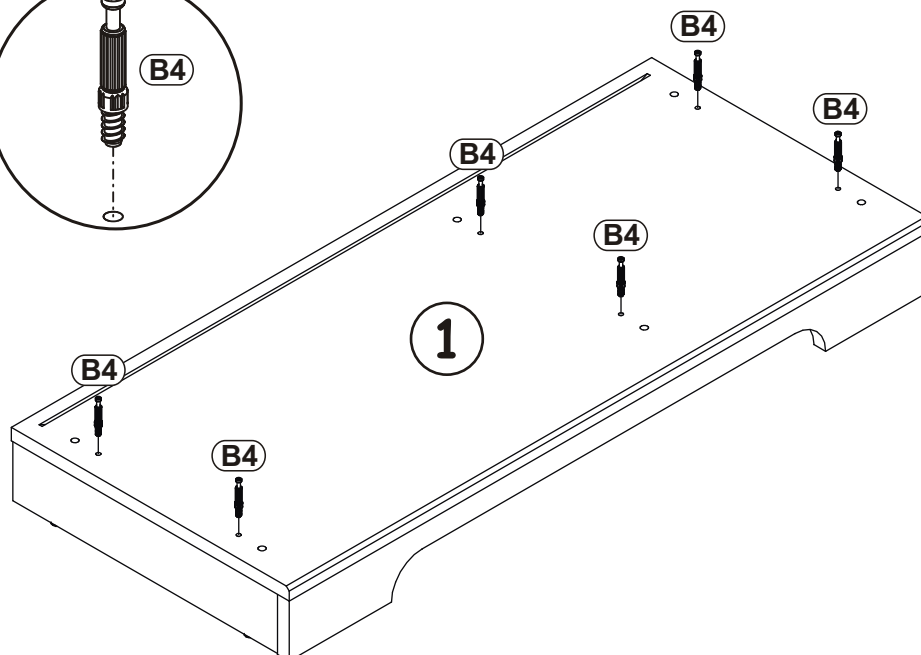
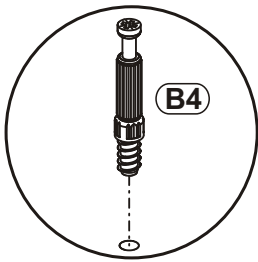
I9	
x1	H-60 mm.

UP9	
x4	UPØ3,5x16



17

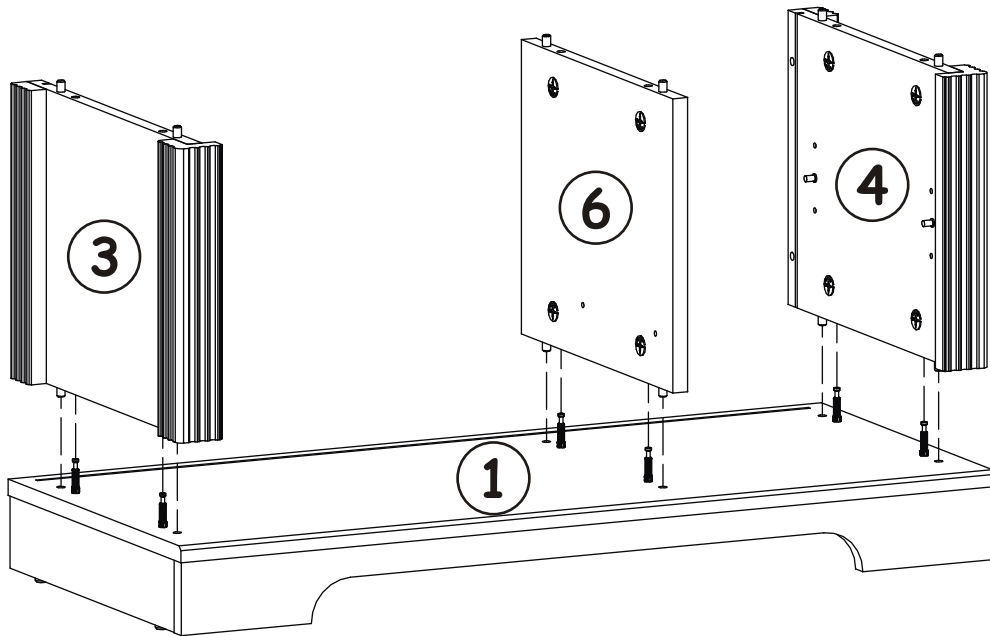
B4	
x6	



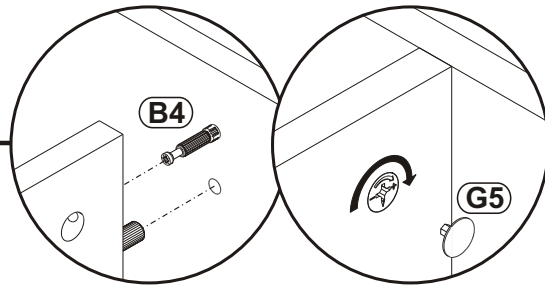
18

G5

x6

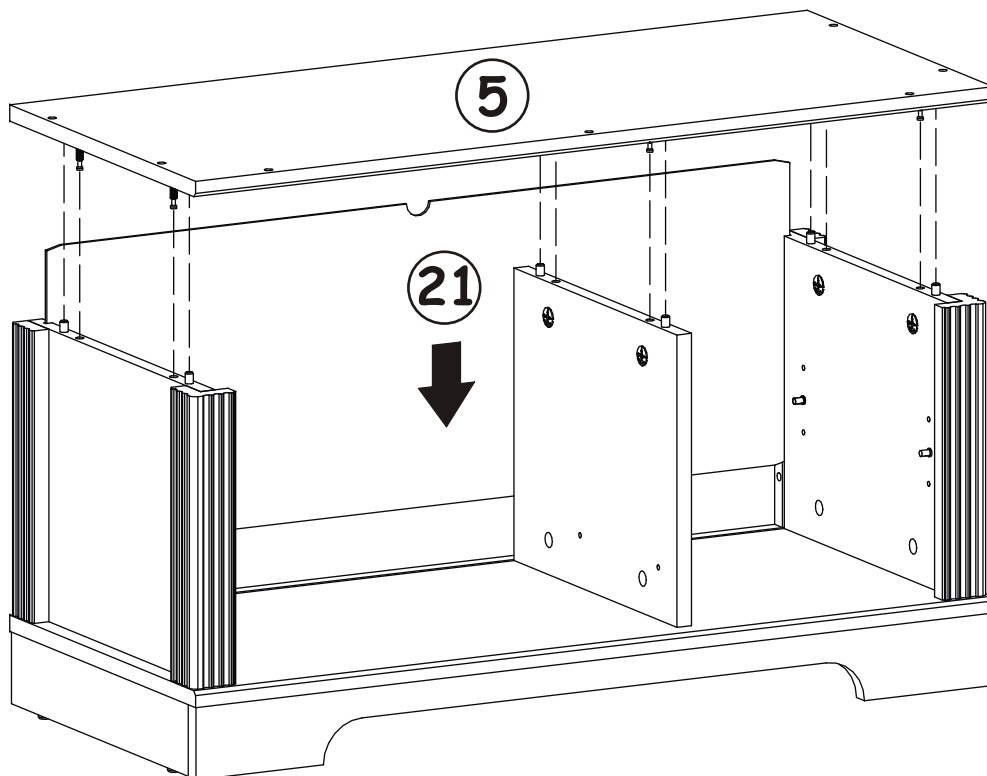


19

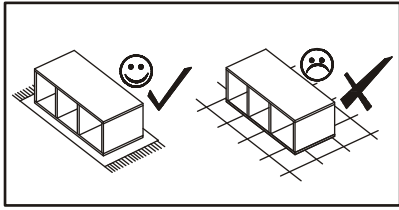


G5

x6



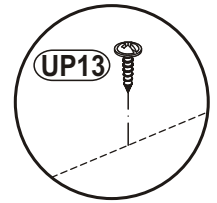
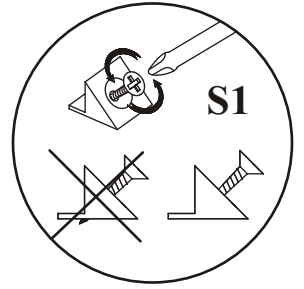
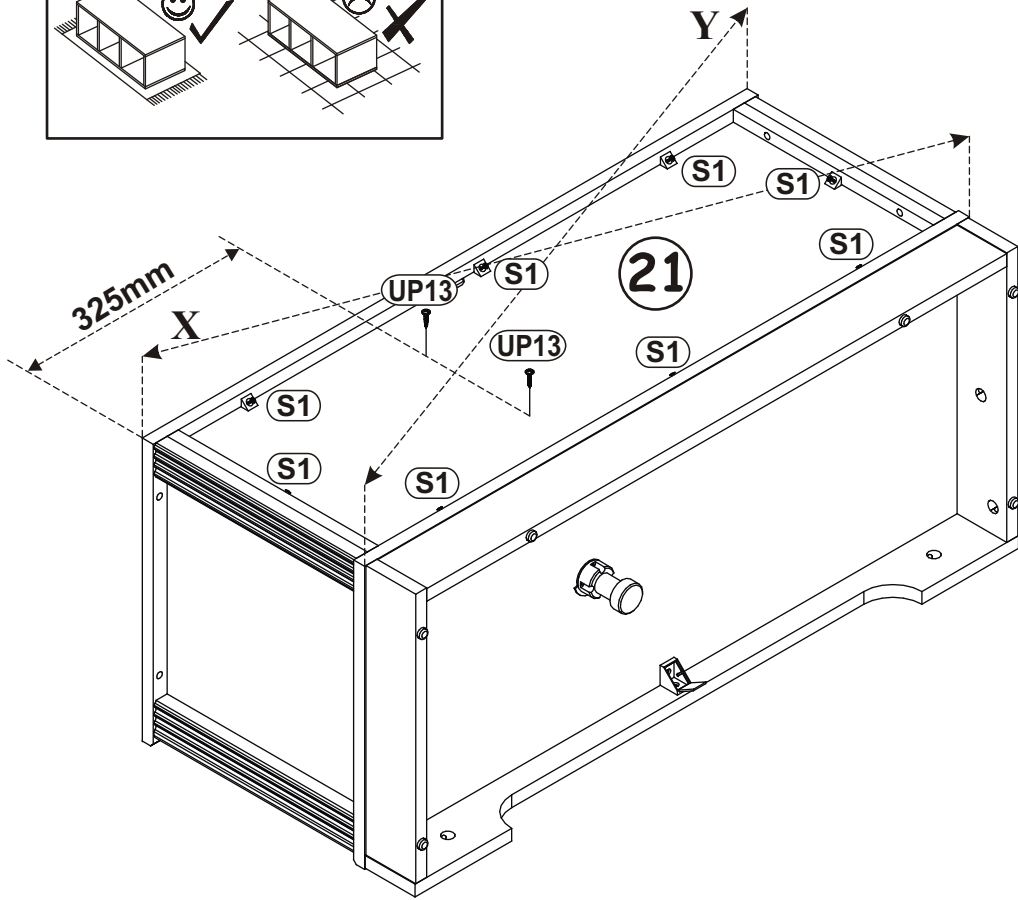
20



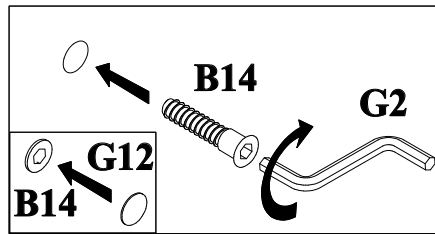
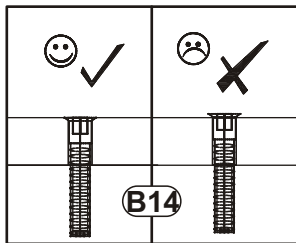
$X=Y$ 90°

S1	
x8	

UP13	
x2	UPØ3x16

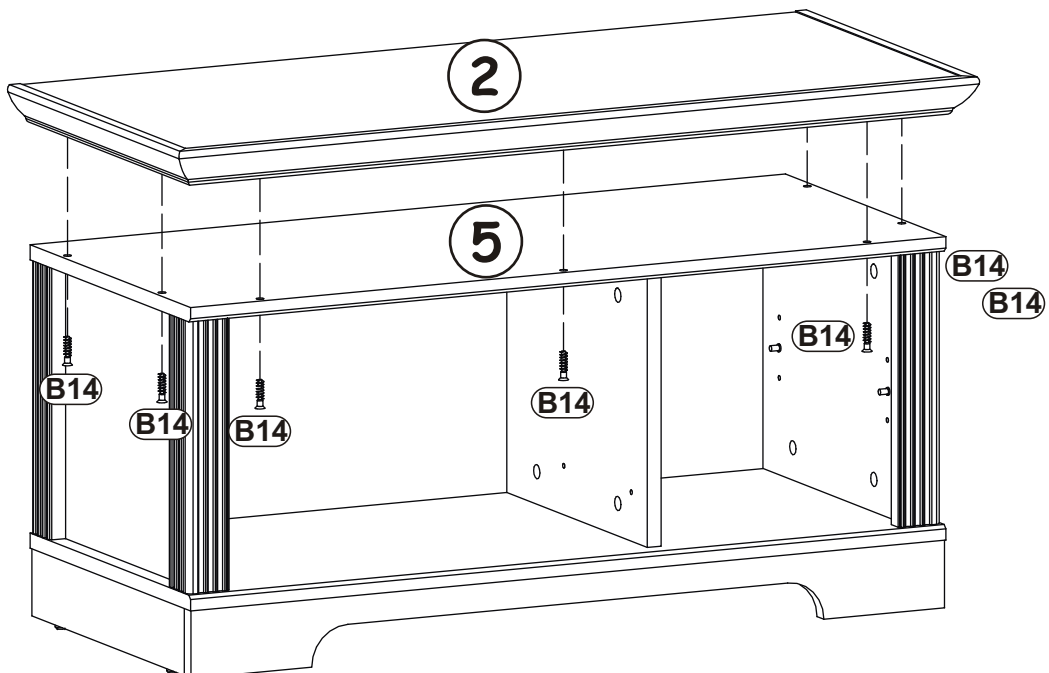


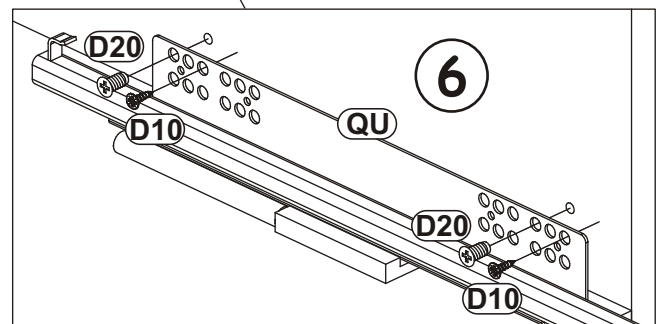
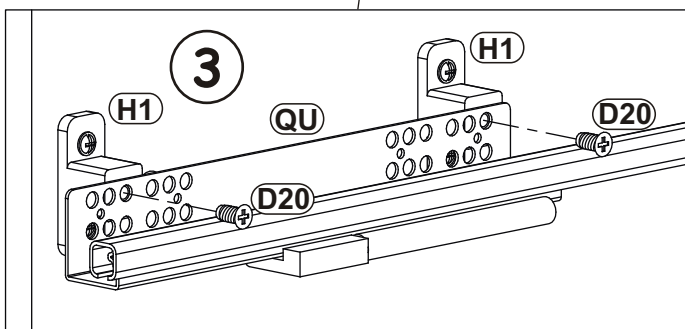
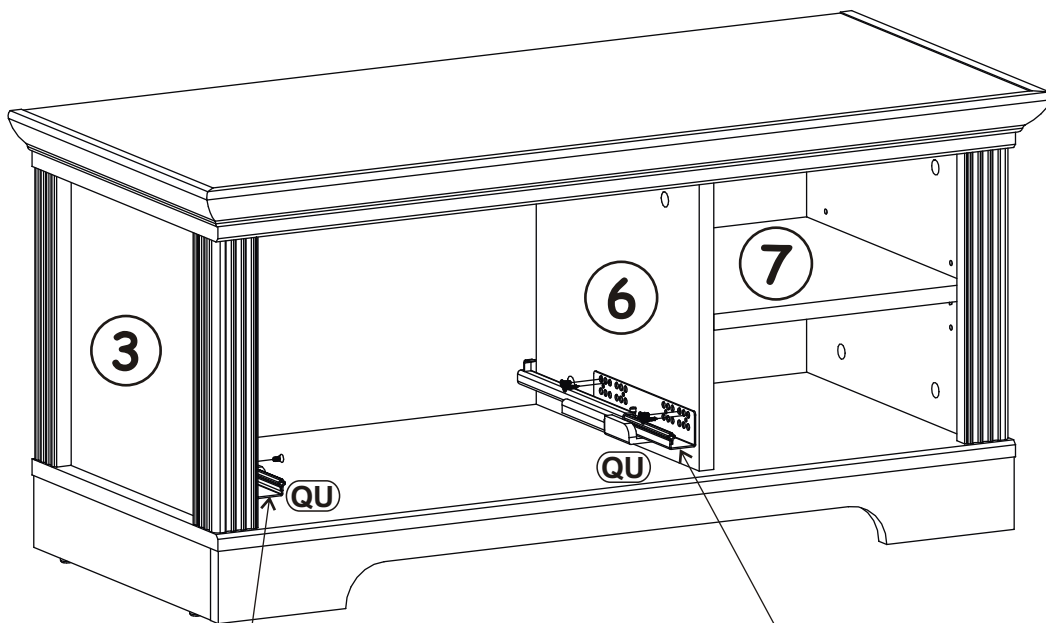
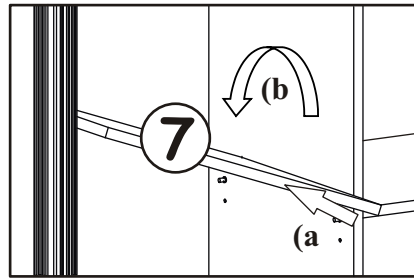
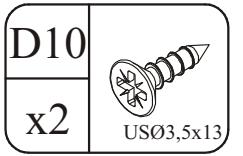
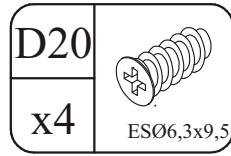
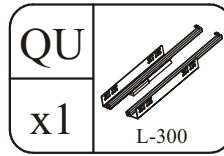
21

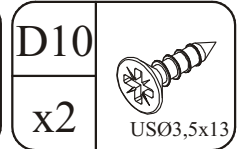
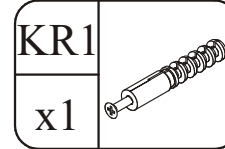
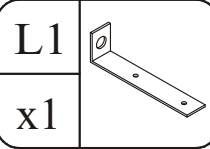


B14	
x7	Ø7x30

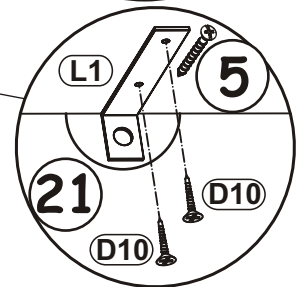
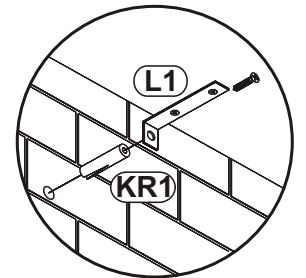
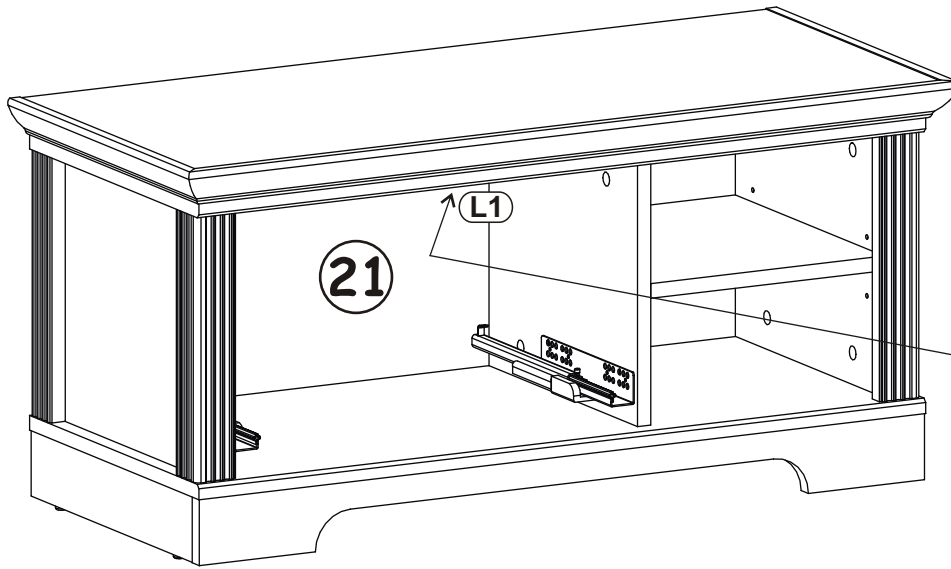
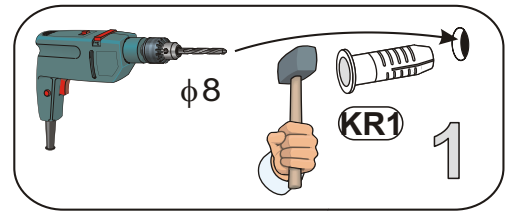
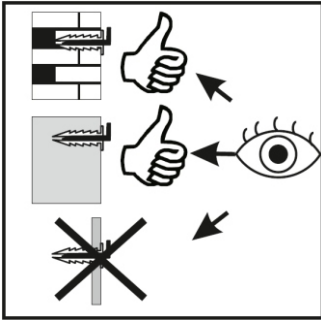
G12	
x7	Ø14



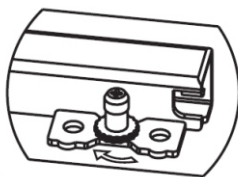
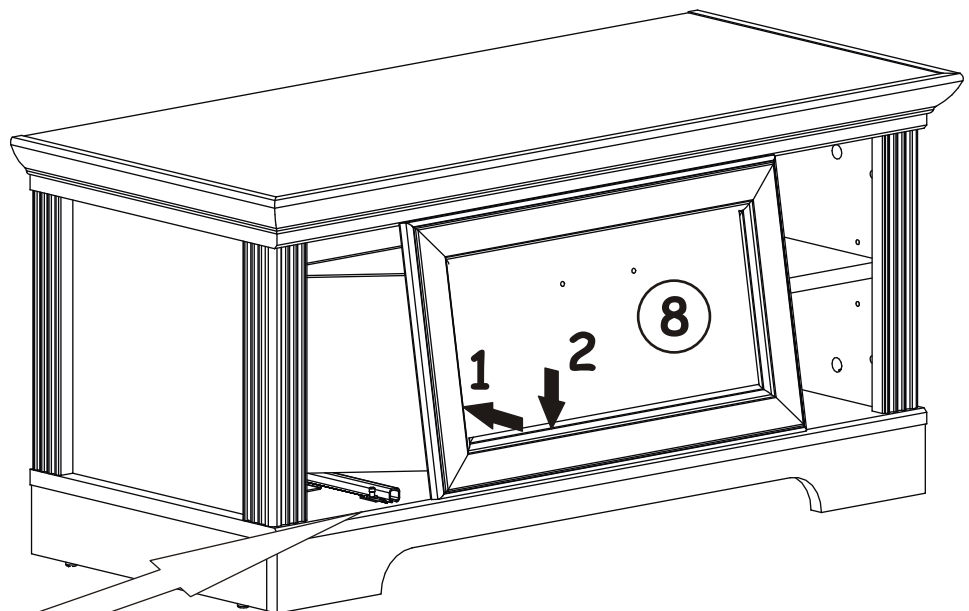




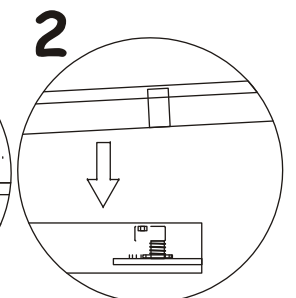
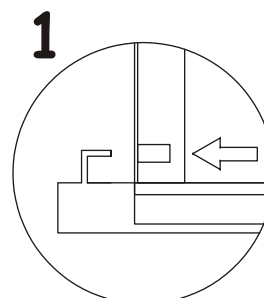
23



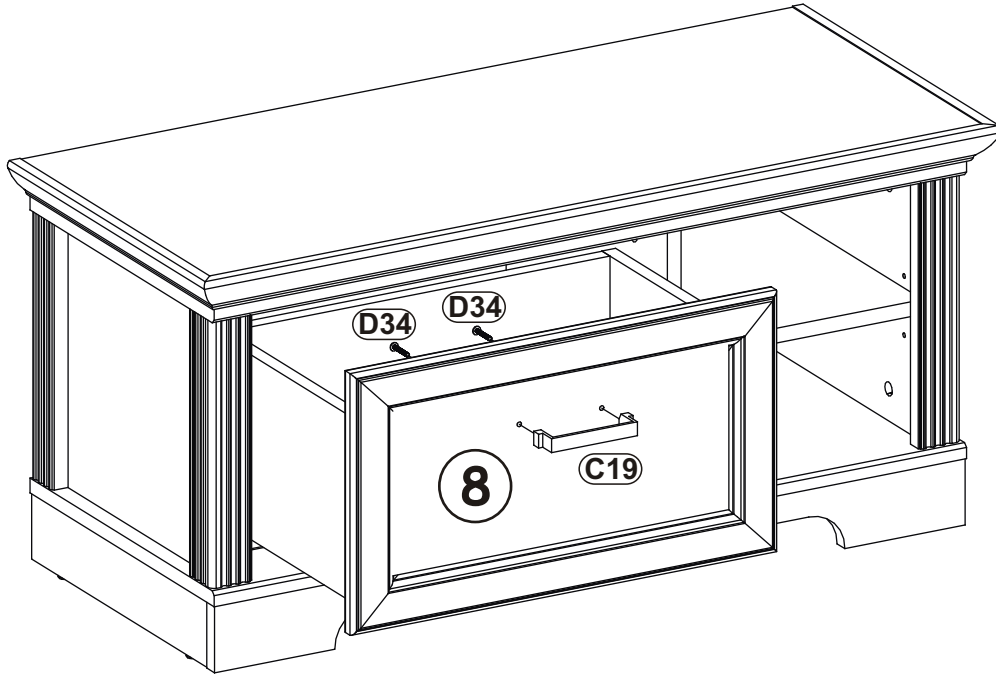
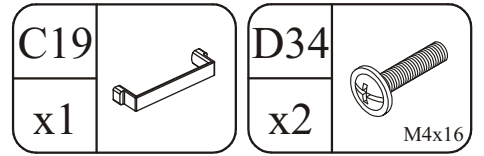
24



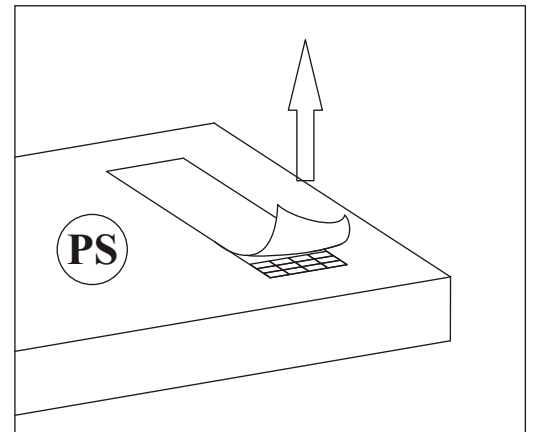
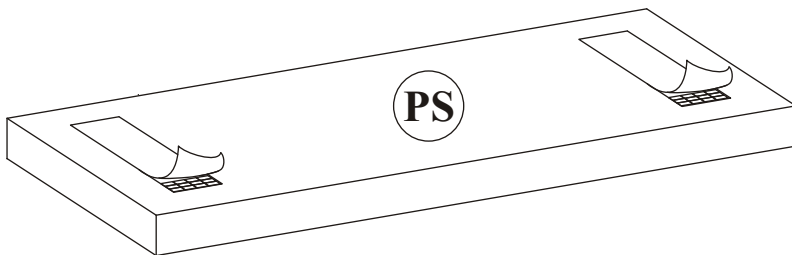
+4mm ↑



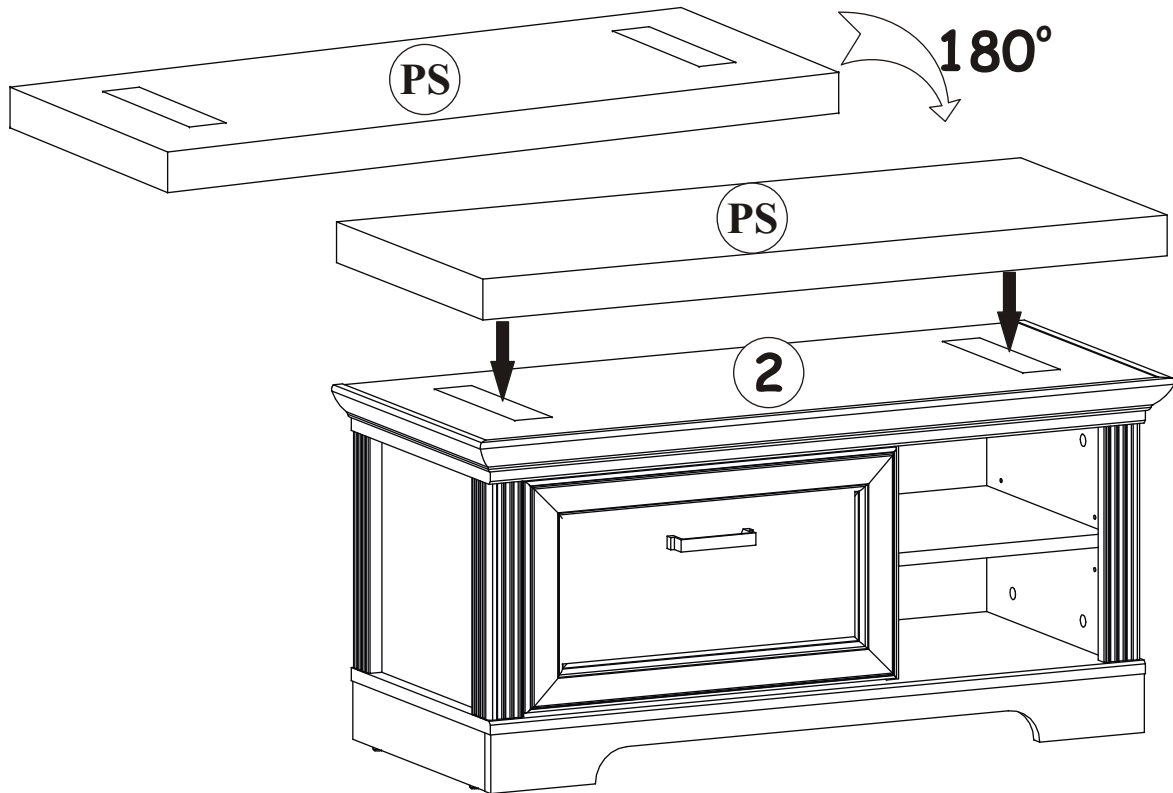
25



26



27



28

