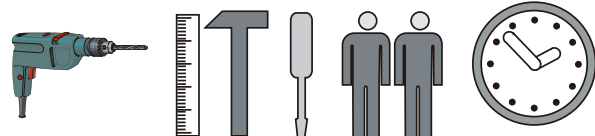
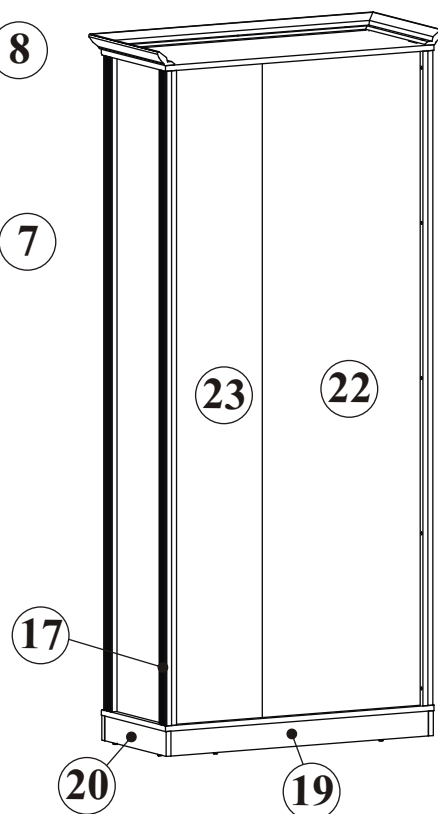
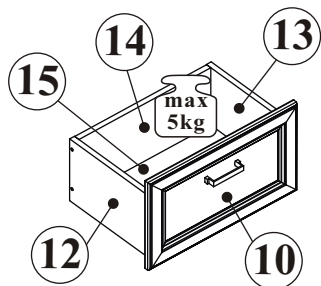
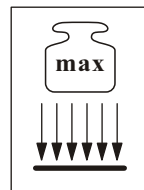
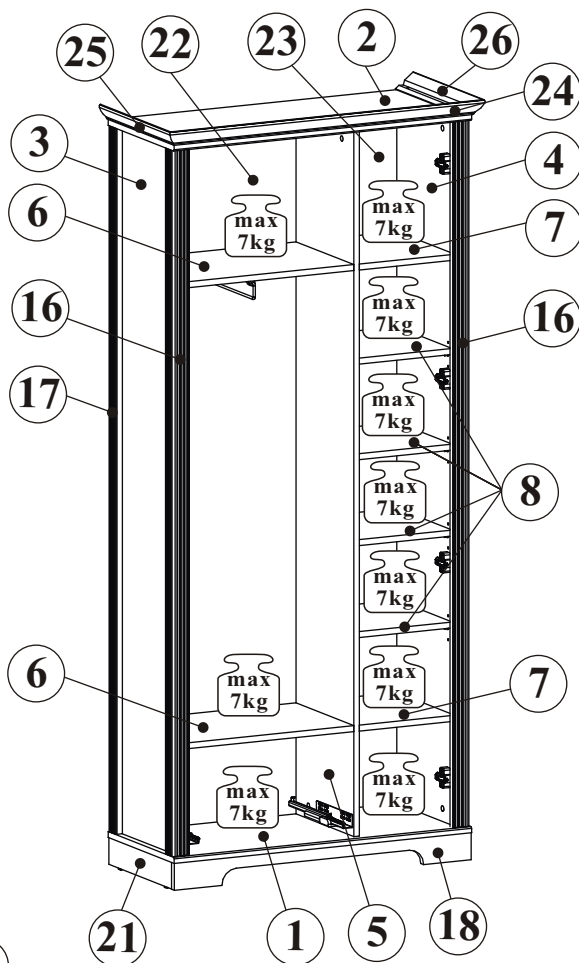
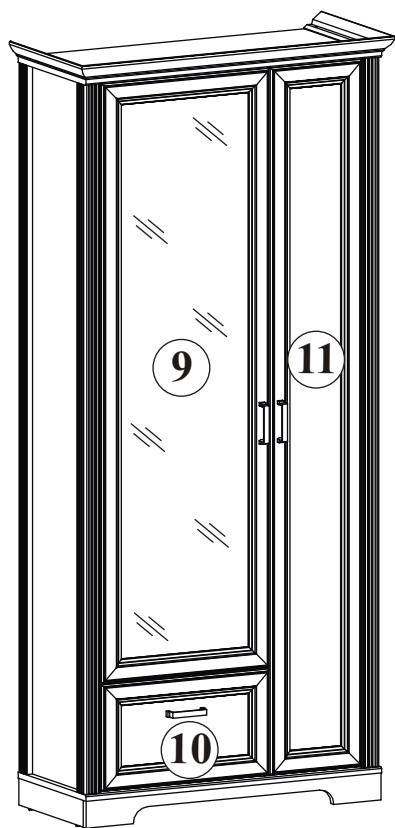


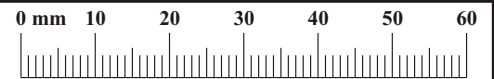
# JASMIN 30B1\_03



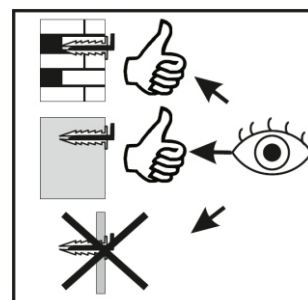
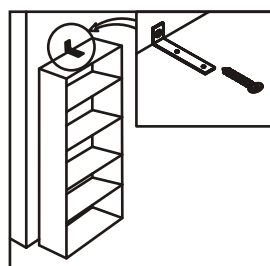
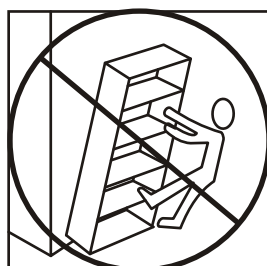
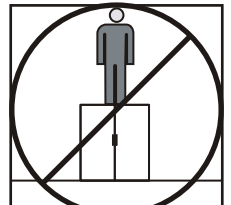
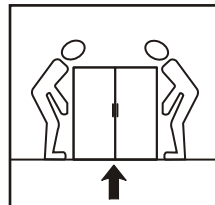
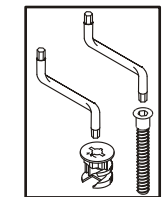
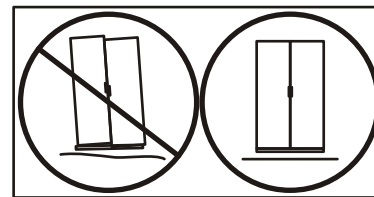
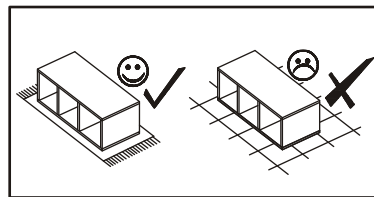
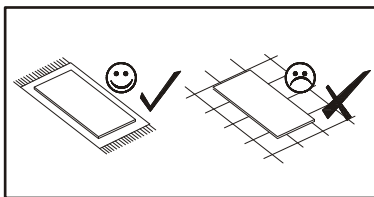
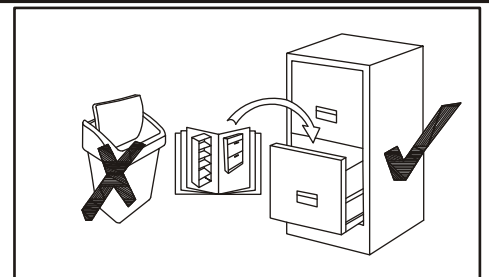
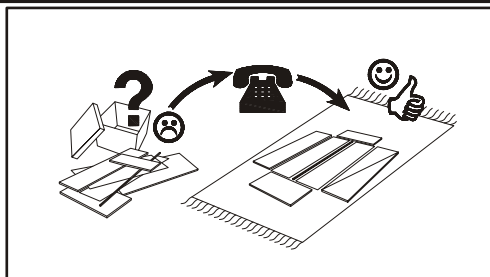
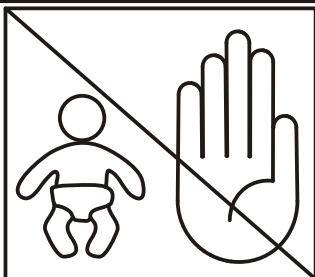
150 min

NO	Dim.	Col.-No	Qty
1	876 380	1	1
2	876 380	1	1
3	1890 353	2	1
4	1890 353	2	1
5	1890 333	2	1
6	507 333	3	2
7	281 333	1	2
8	281 318	1	4
9	1596 496	3	1
10	496 283	3	1
11	1883 270	3	1
12	300 200	1	1
13	300 200	1	1

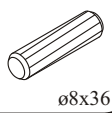

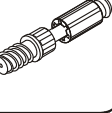
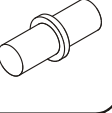
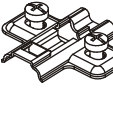
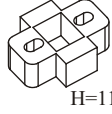

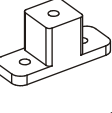

NO	Dim.	Col.-No	Qty
14	442 186	1	1
15	304 454	1	1
16	1890 49	2	2
17	1890 43	2	2
18	874 72	1	1
19	840 72	1	1
20	363 72	1	1
21	363 72	1	1
22	1902 521	3	1
23	1902 295	3	1
24	929 67	1	1
25	406 67	1	1
26	406 67	1	1

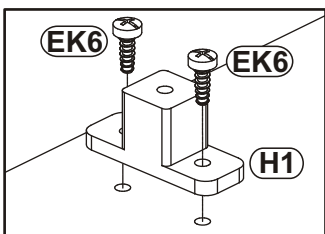
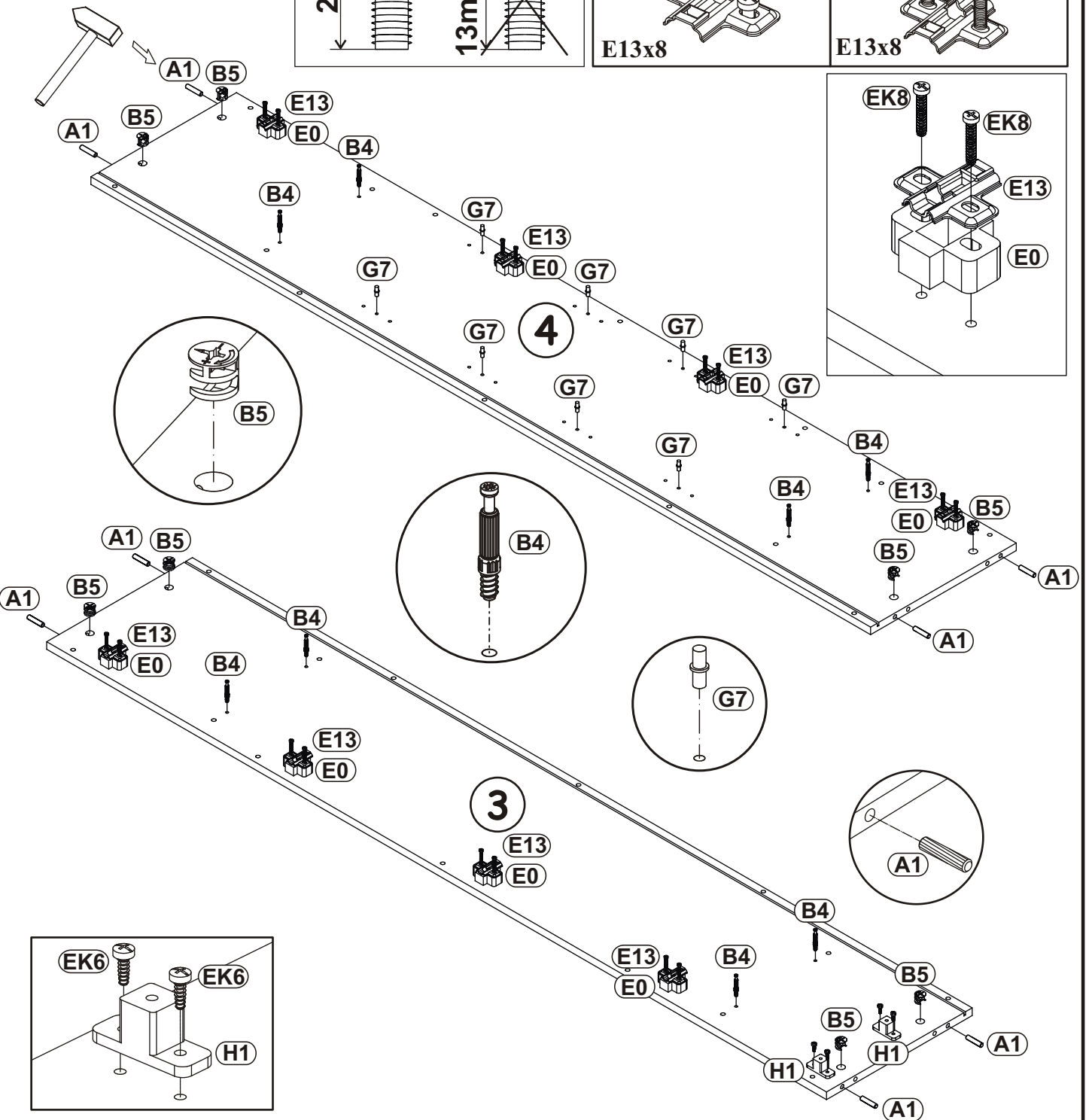
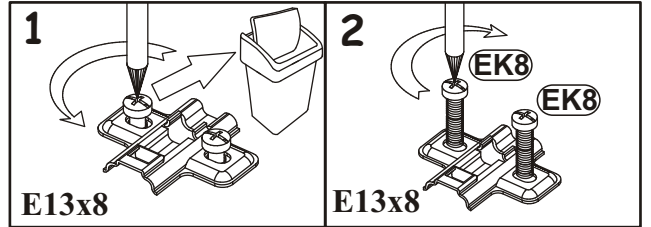
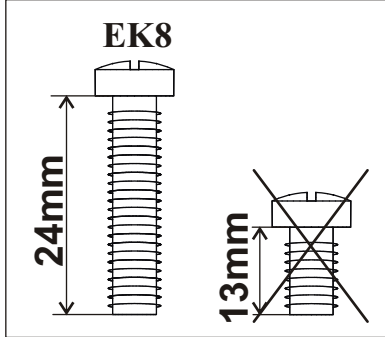
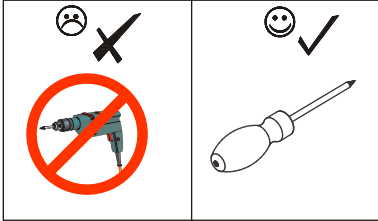




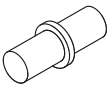
A1 x44 ø8x36	B4 x35	B5 x43 ø15x12	G5 x43	B11 x4 Ø7x50	B14 x20 Ø7x30
E17 x8 H=16	E13 x8	E0 x8 H=11	EK8 x16 EKØ6,3x24	B6 x4 Ø7x76	G4 x24
QU x1 L-300	D20 x4 ESØ6,3x9,5	D10 x22 USØ3,5x13	H1 x2	EK6 x4 EKØ6,3x13	G7 x16
C19 x3	D34 x2 M4x16	D4 x4 M4x30	G16 x13	UP13 x33 UPØ3x16	C6 x1 L=260
I9 x1 H-60 mm.	UP9 x4 UPØ3,5x16	I2 x6	KM1 x1	S1 x21	D9 x7 USØ3x20
L1 x1	KR1 x1	G2 x1	Z2 x2 Ø5		



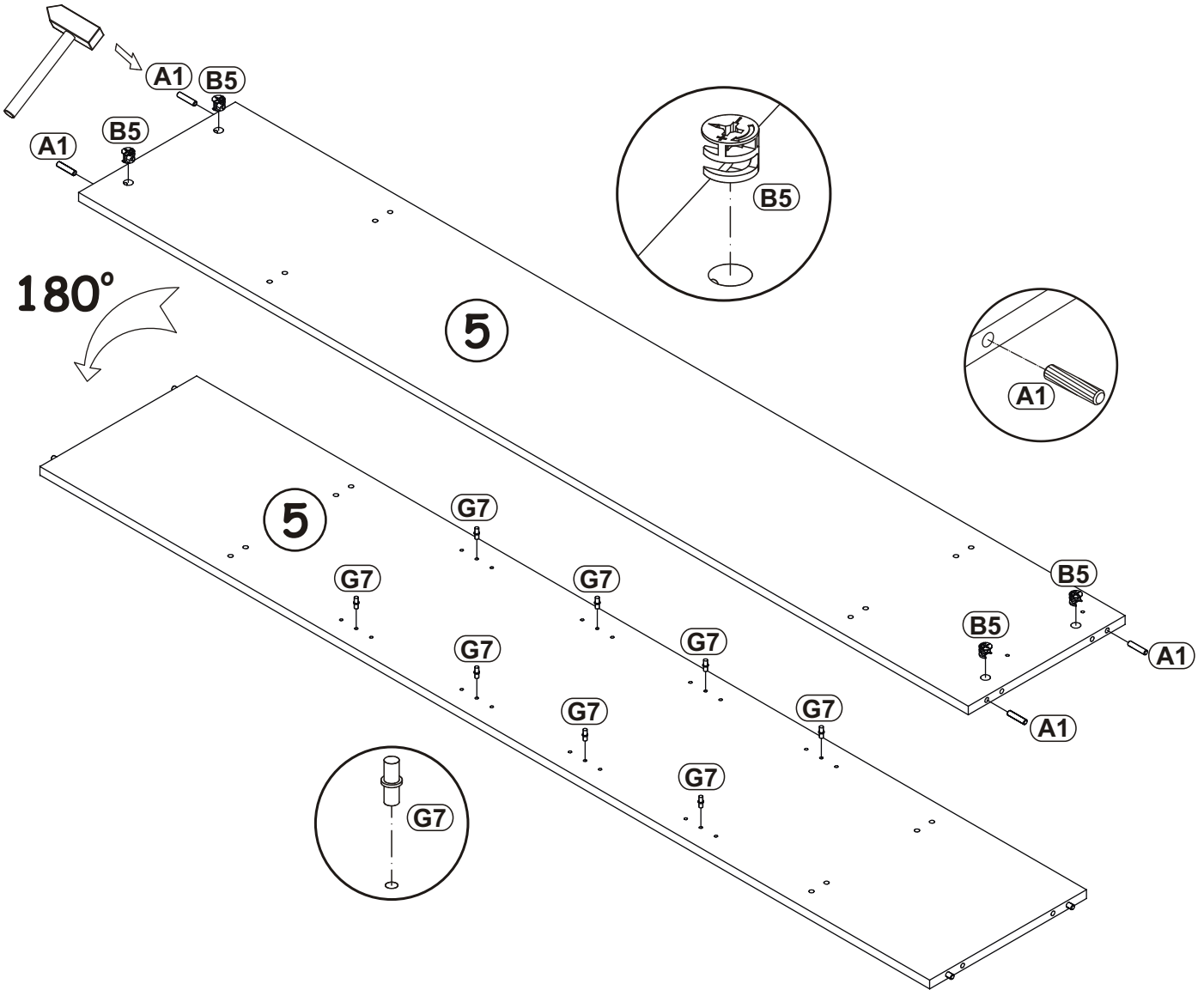
1

A1 x8		B5 x8		B4 x8		G7 x8	
E13 x8		E0 x8		EK8 x16		H1 x2	
						EK6 x4	

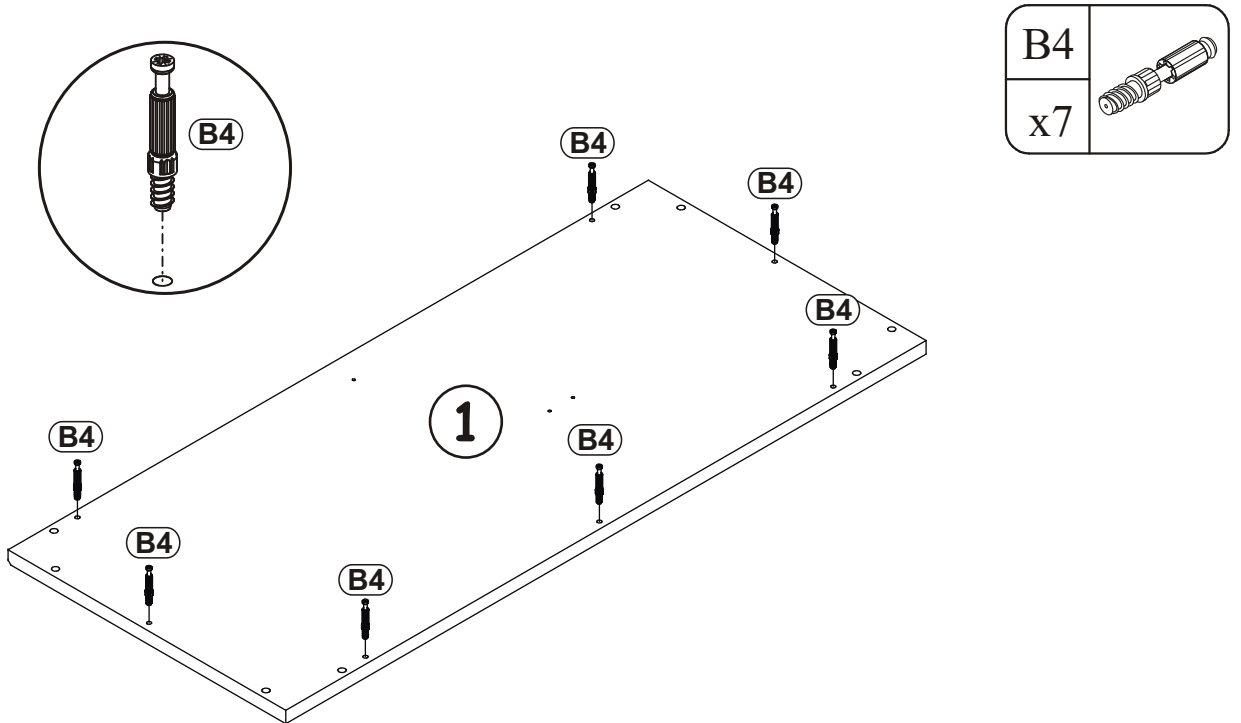


A1		B5		G7	
x4	ø8x36	x4	ø15x12	x8	

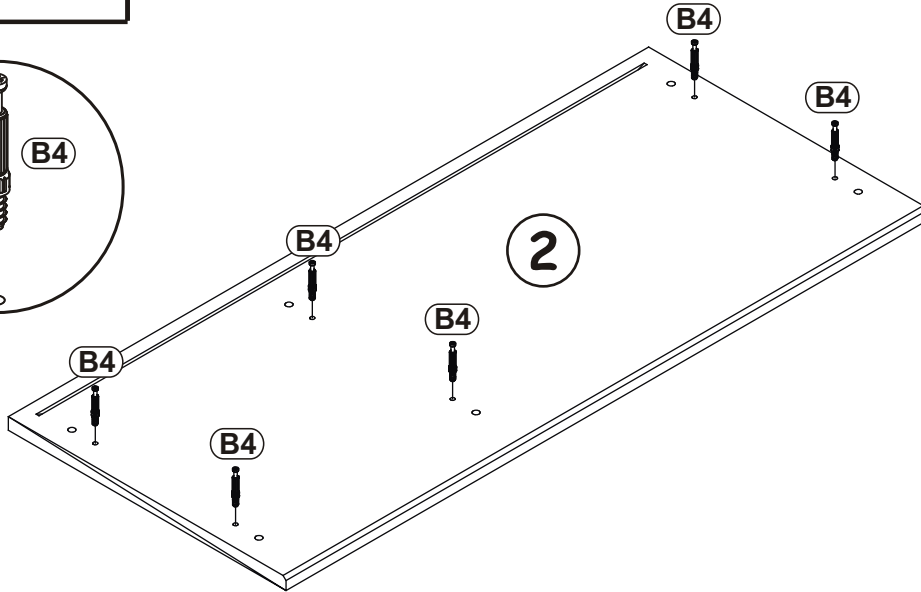
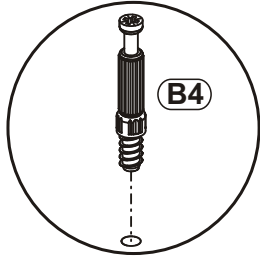
2

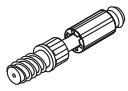


3

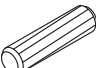


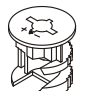
4

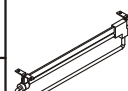



B4	
x6	

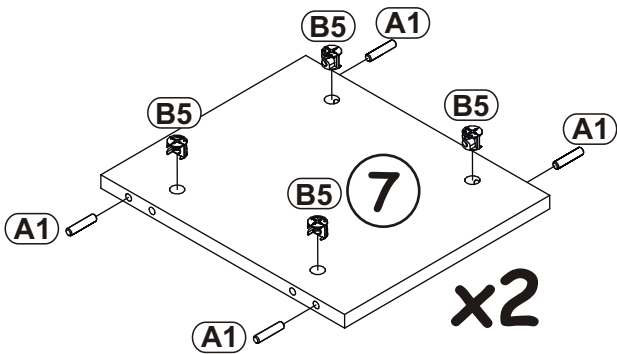
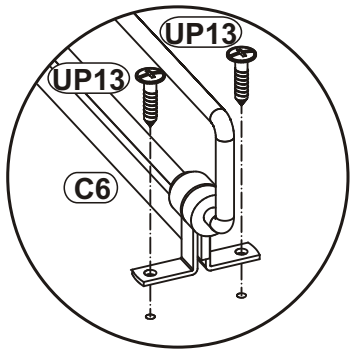
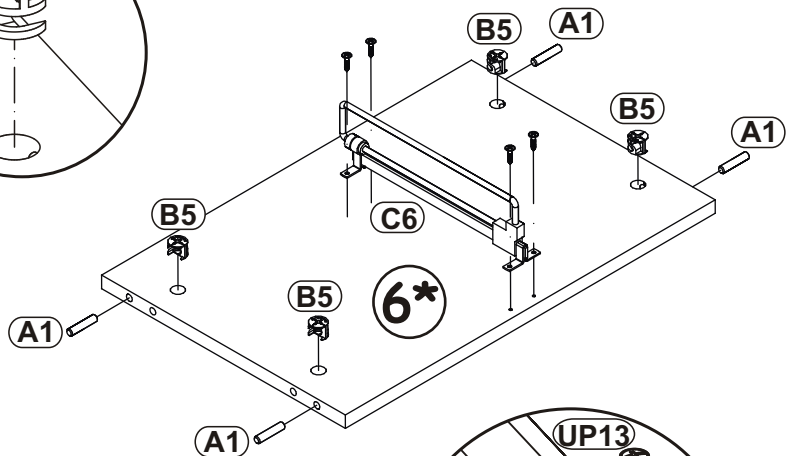
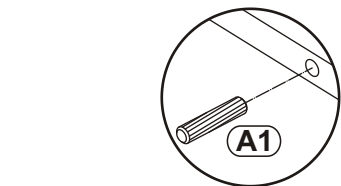
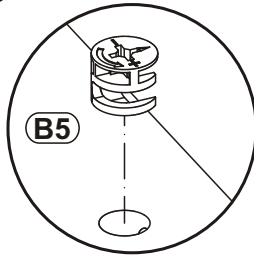
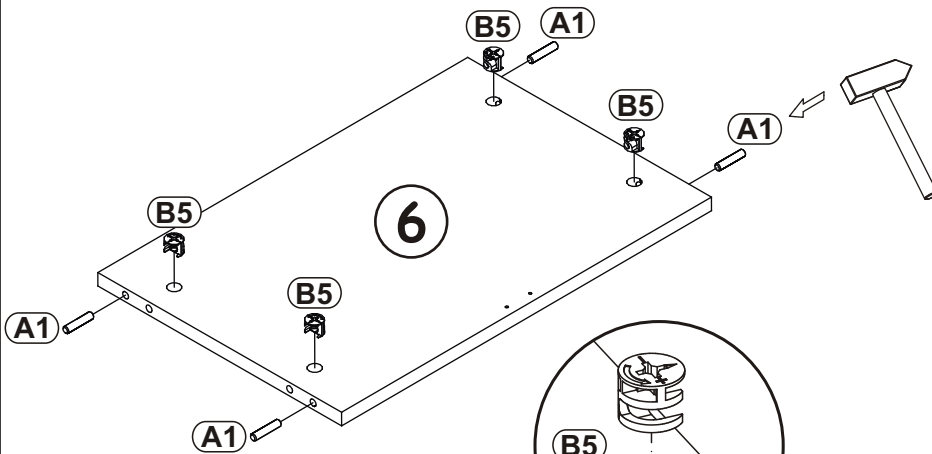
5

A1	
x16	ø8x36

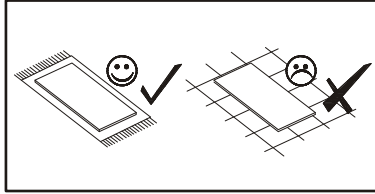
B5	
x16	ø15x12

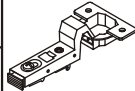
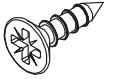
C6	
x1	L=260

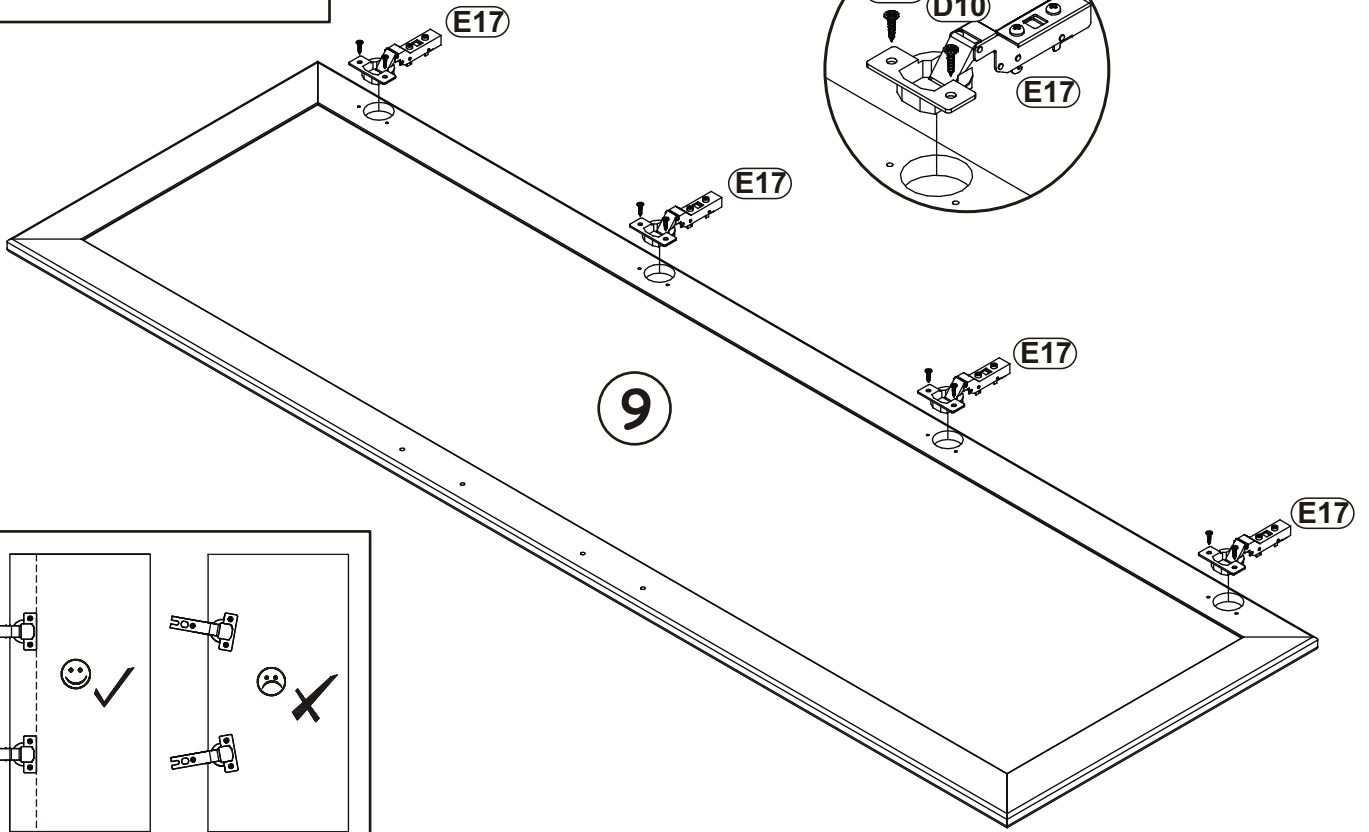
UP13	
x4	UPØ3x16



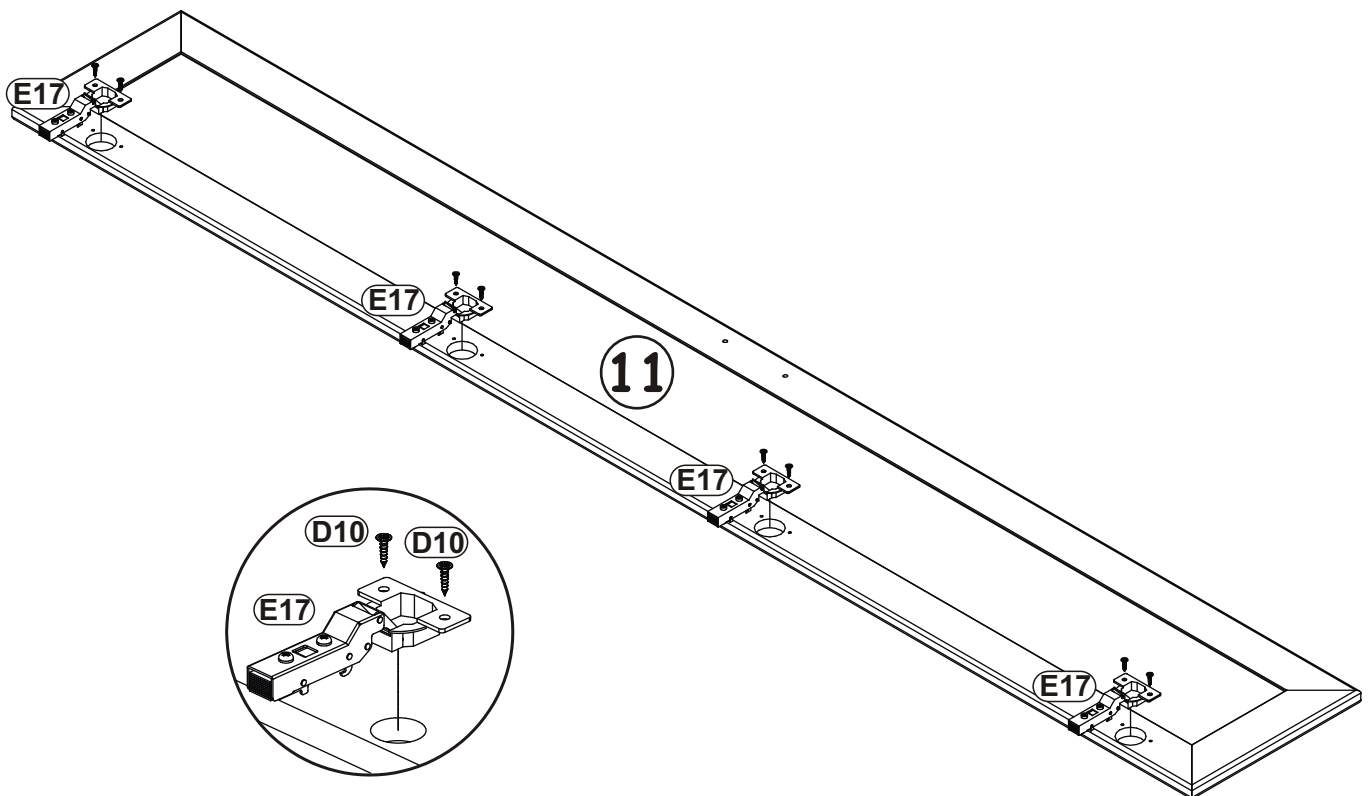
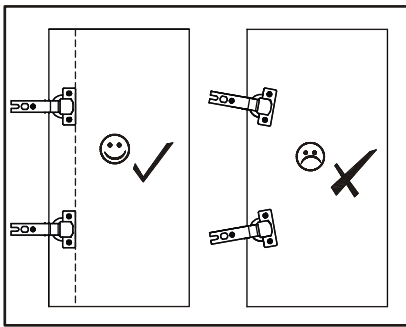
6



E17		D10	
x8	H=16	x16	US03,5x13

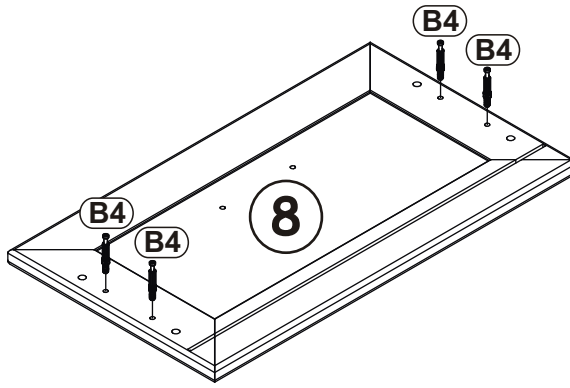
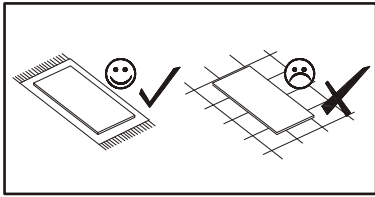


9

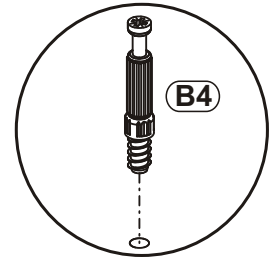


11

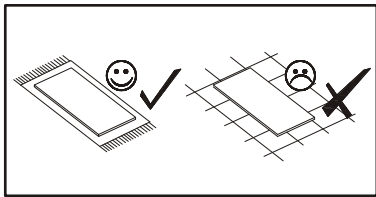
7



B4	
x4	



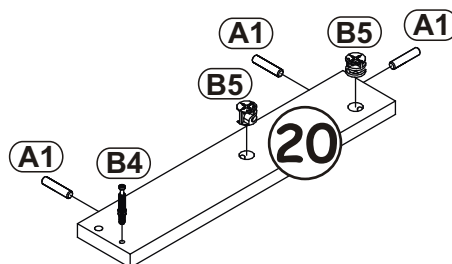
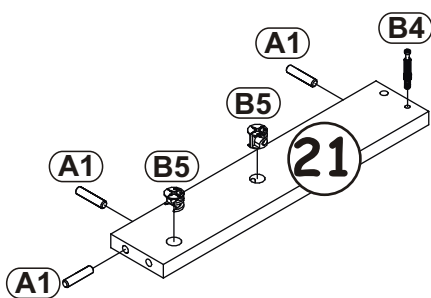
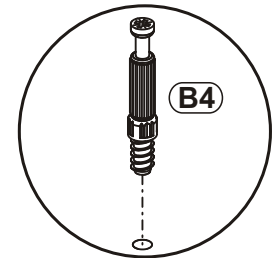
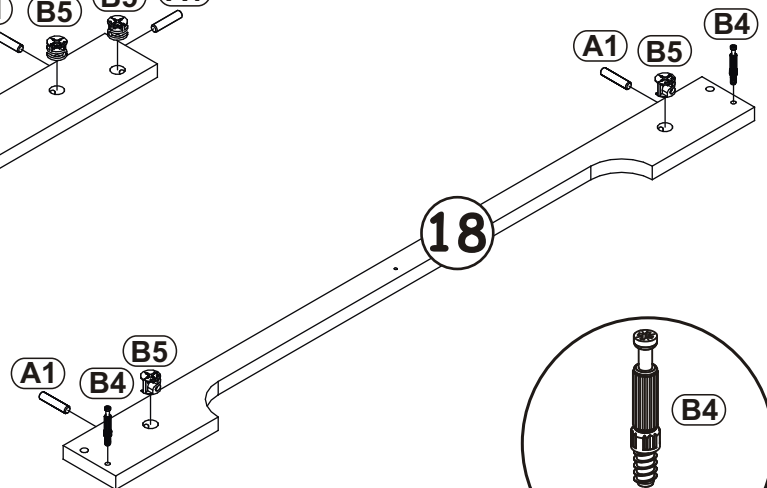
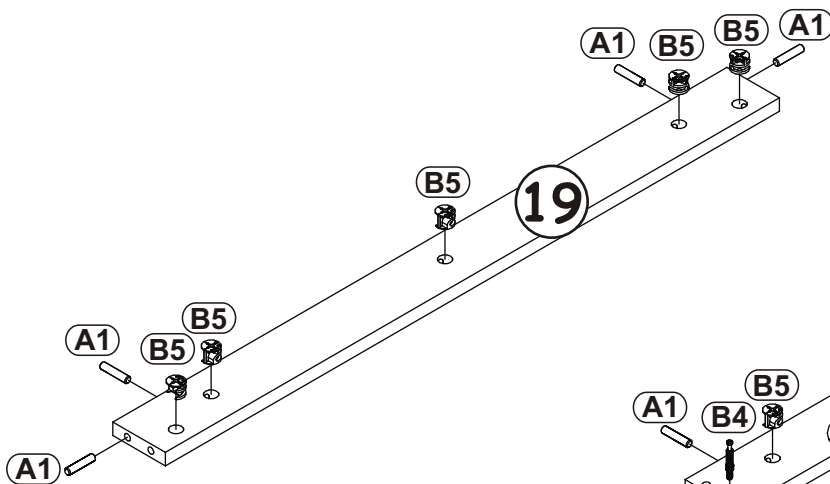
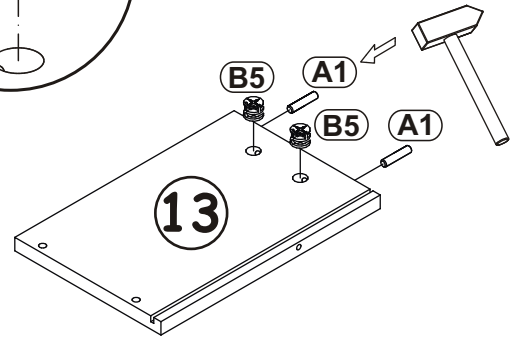
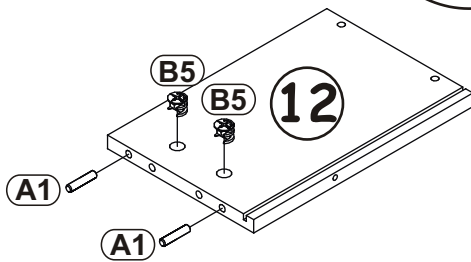
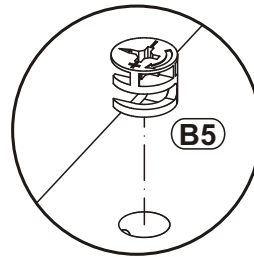
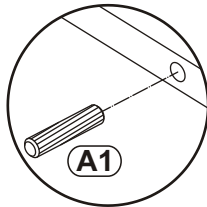
8



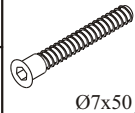

A1	
x16	ø8x36

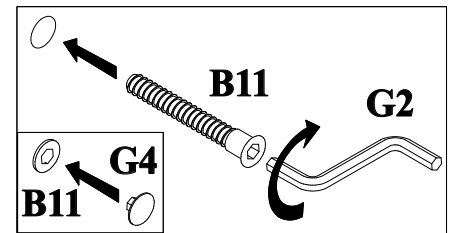
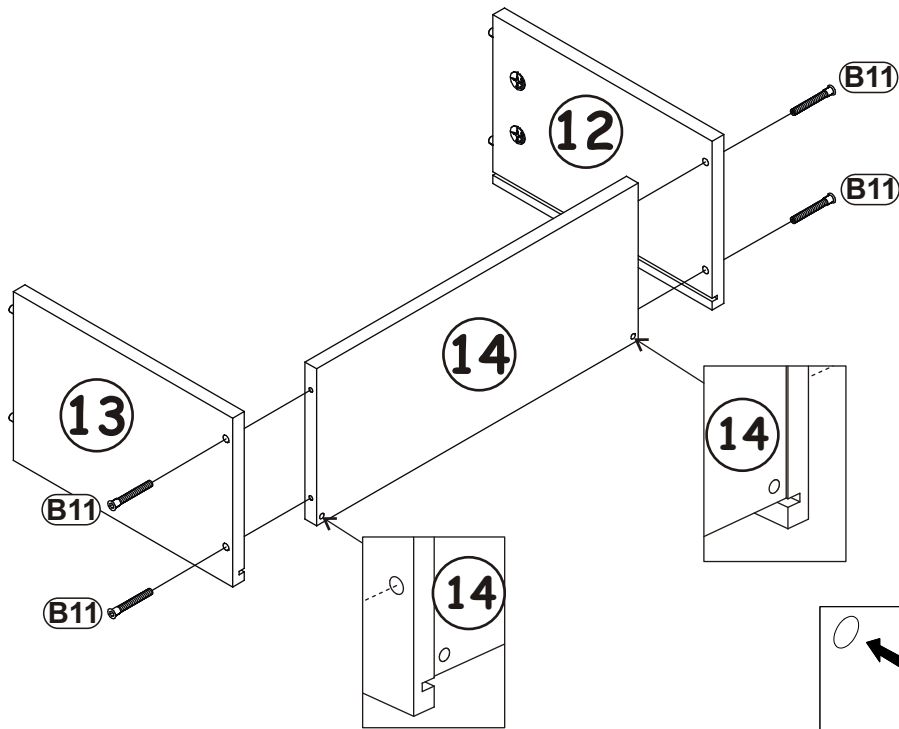
B4	
x4	

B5	
x15	ø15x12




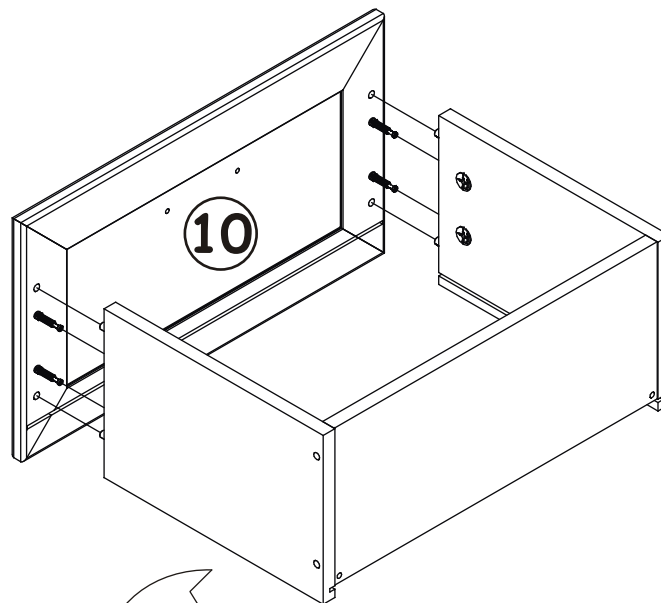
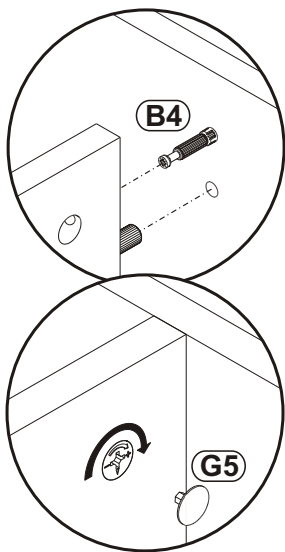
9

B11		G4	
x4	Ø7x50	x4	



10

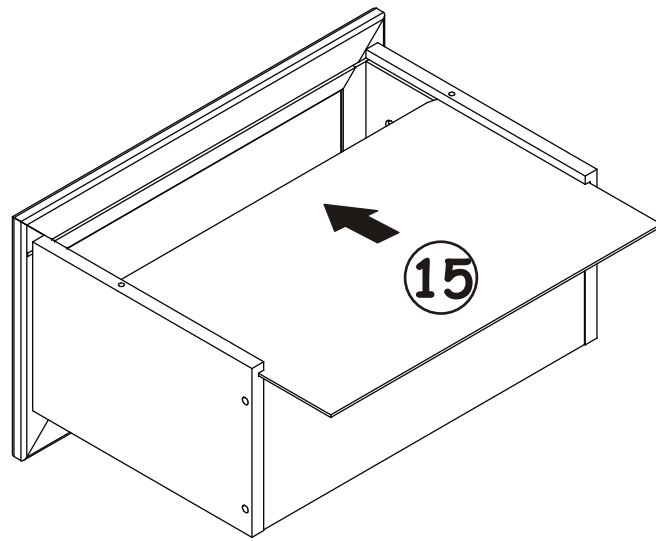
G5	
x4	



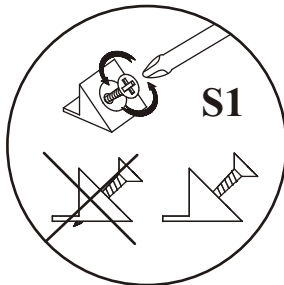
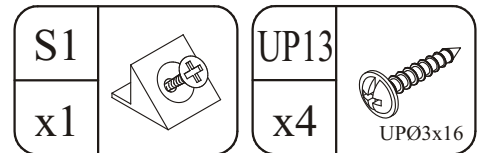
180°



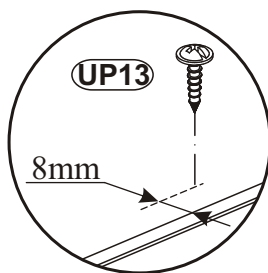
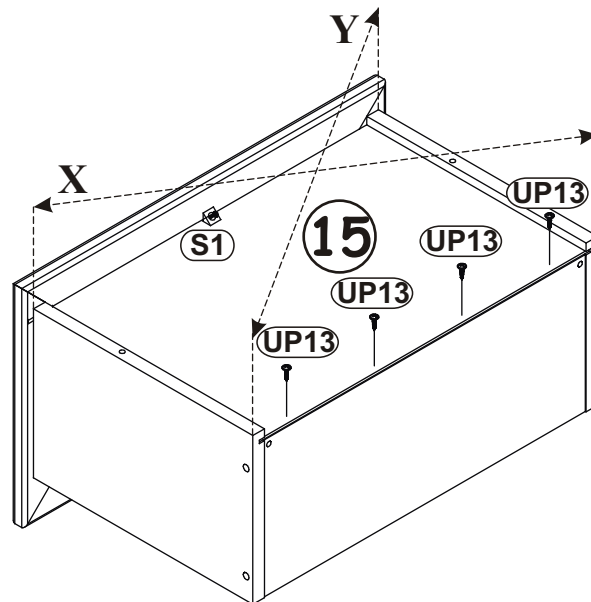
11





12

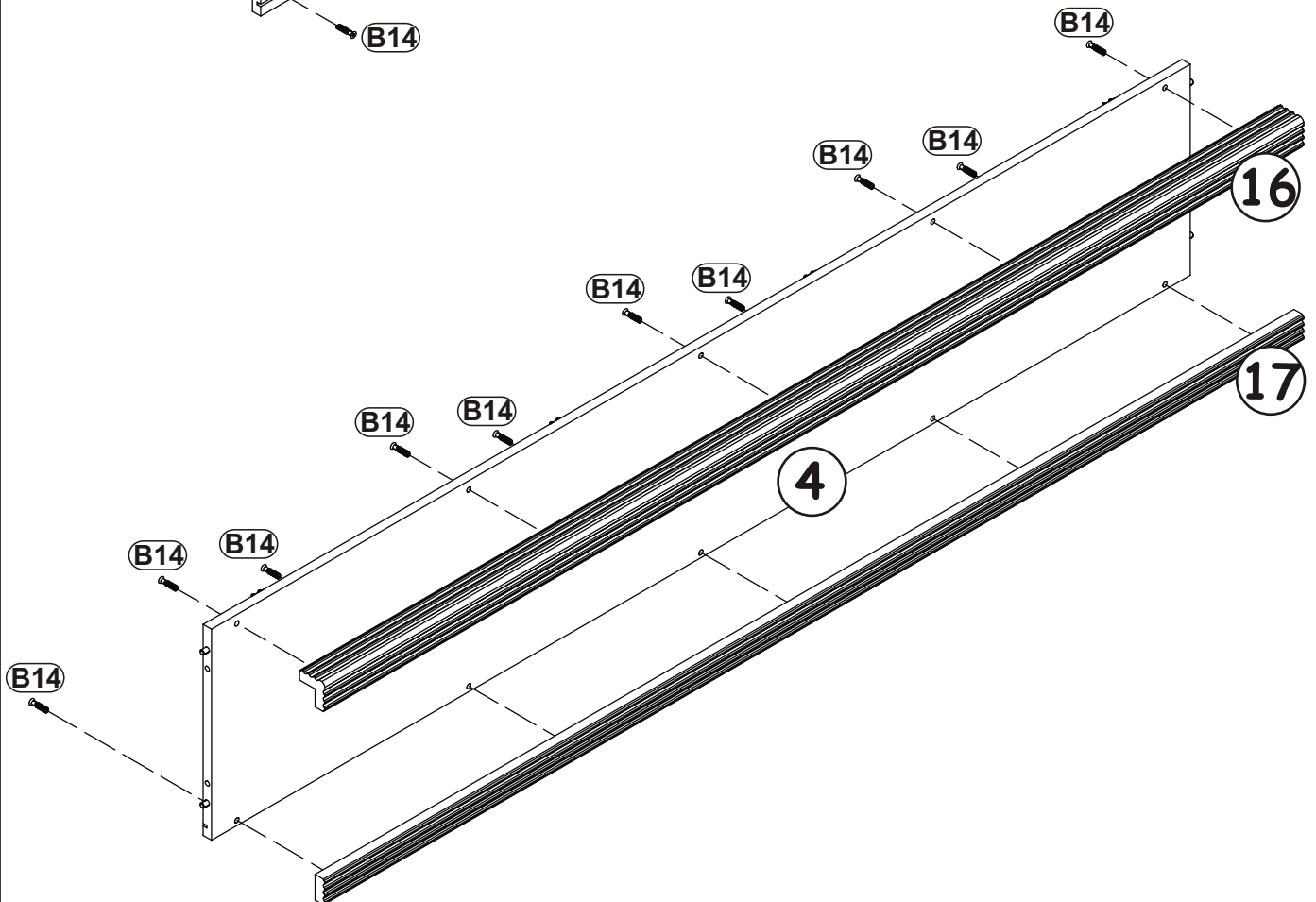
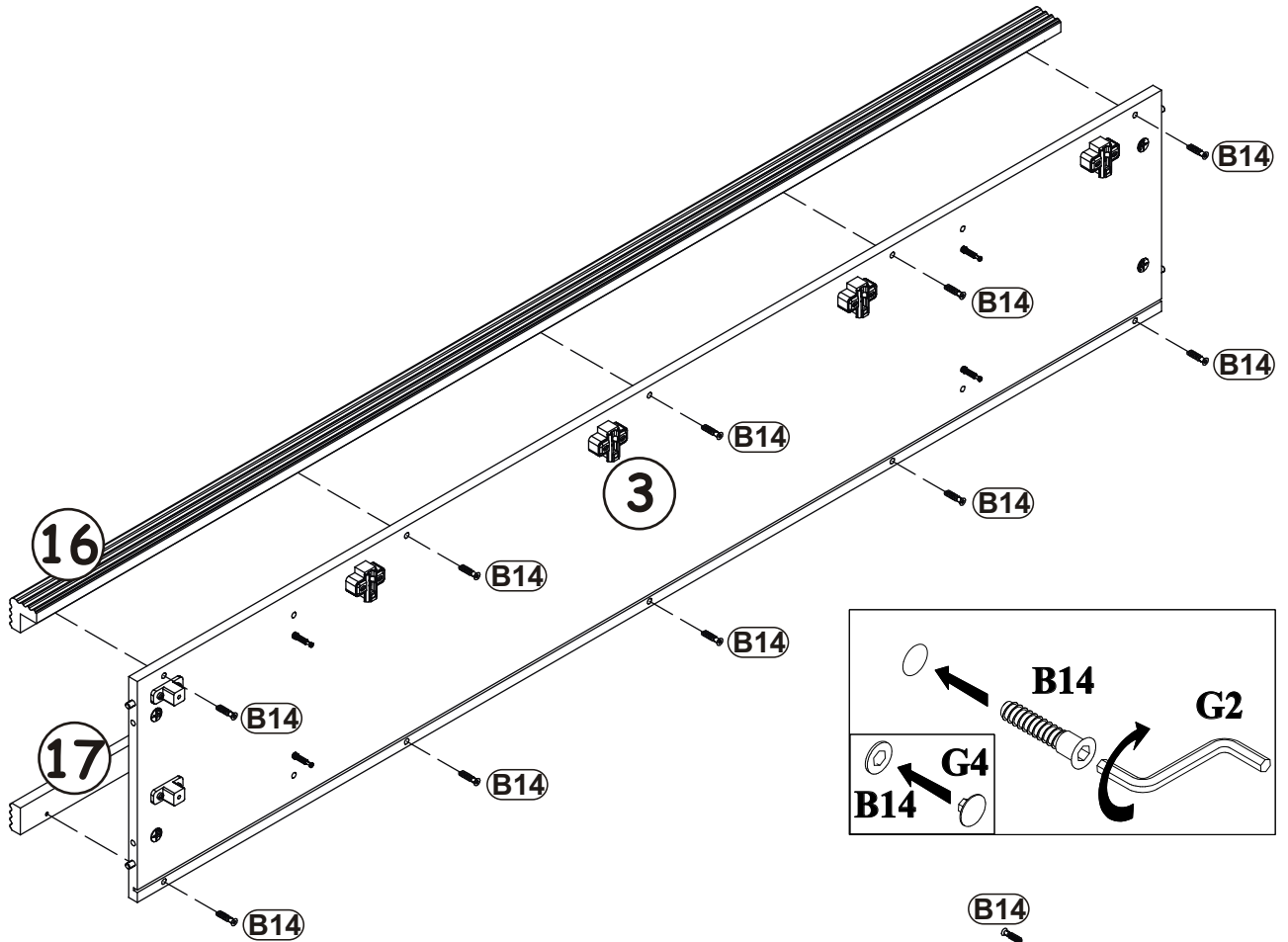


X=Y




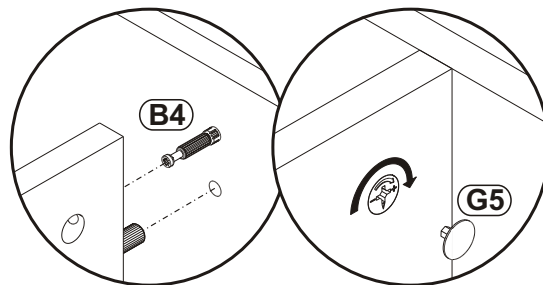
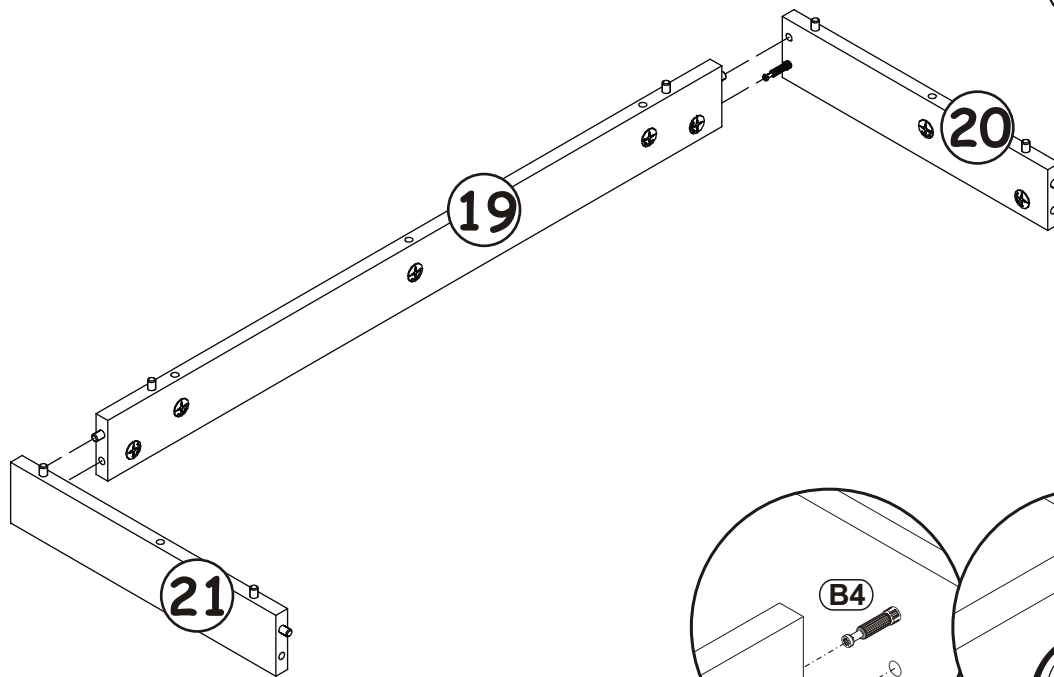
13

B14		G4	
x20	Ø7x30	x20	




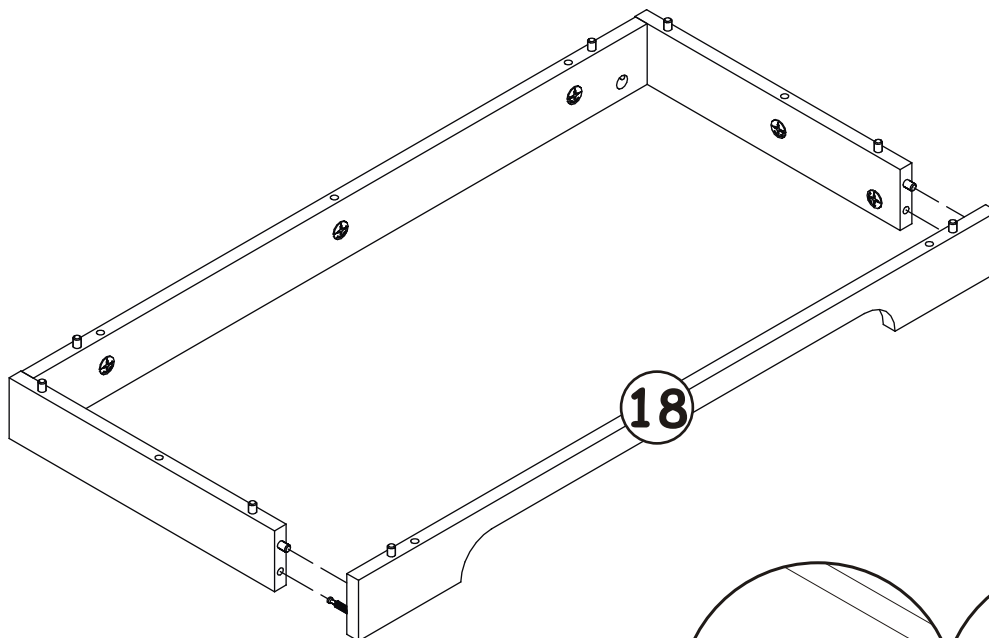
14

G5	
x2	

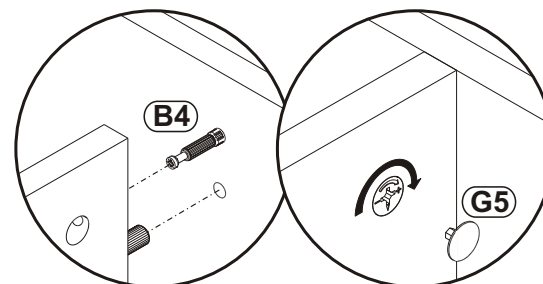


15


G5	
x2	

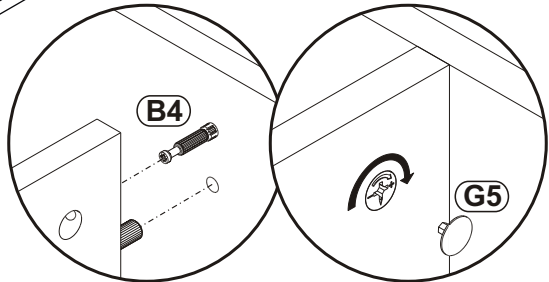
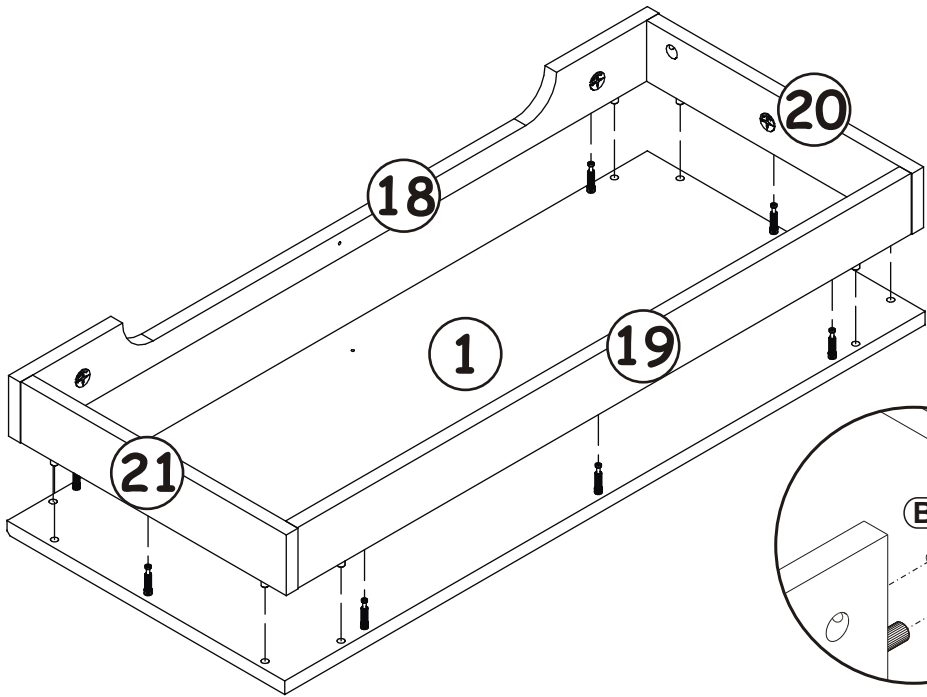


180°

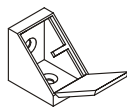


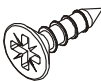
16


G5	
x7	

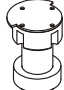


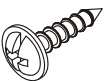
17

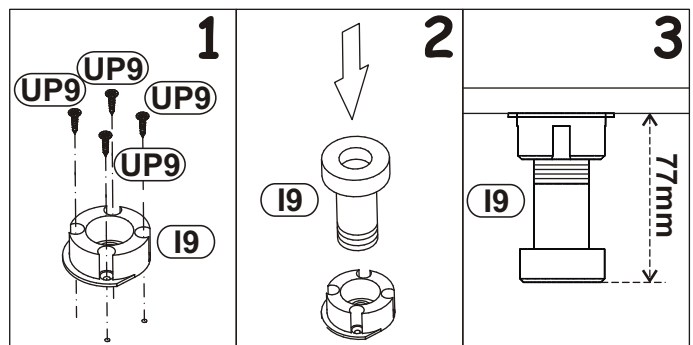
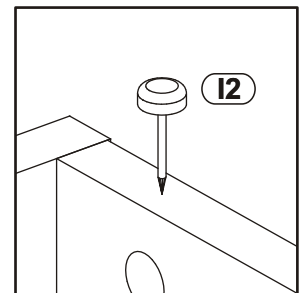
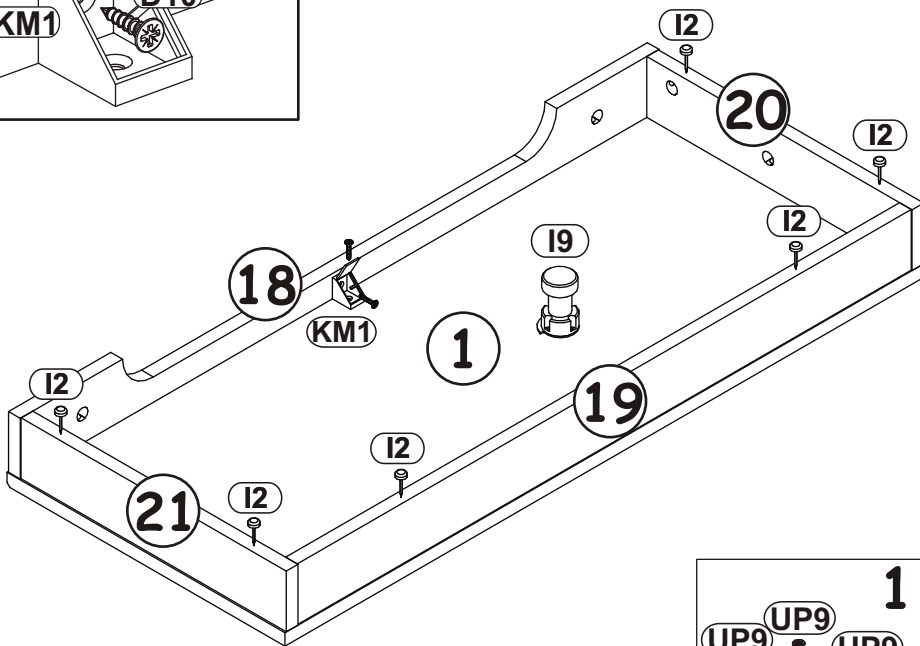
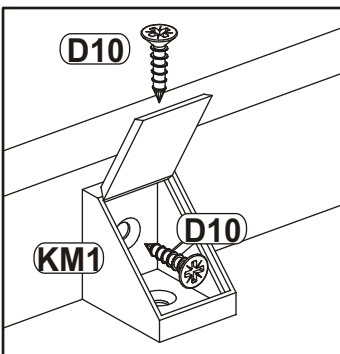
KM1	
x1	

D10	
x2	USØ3,5x13

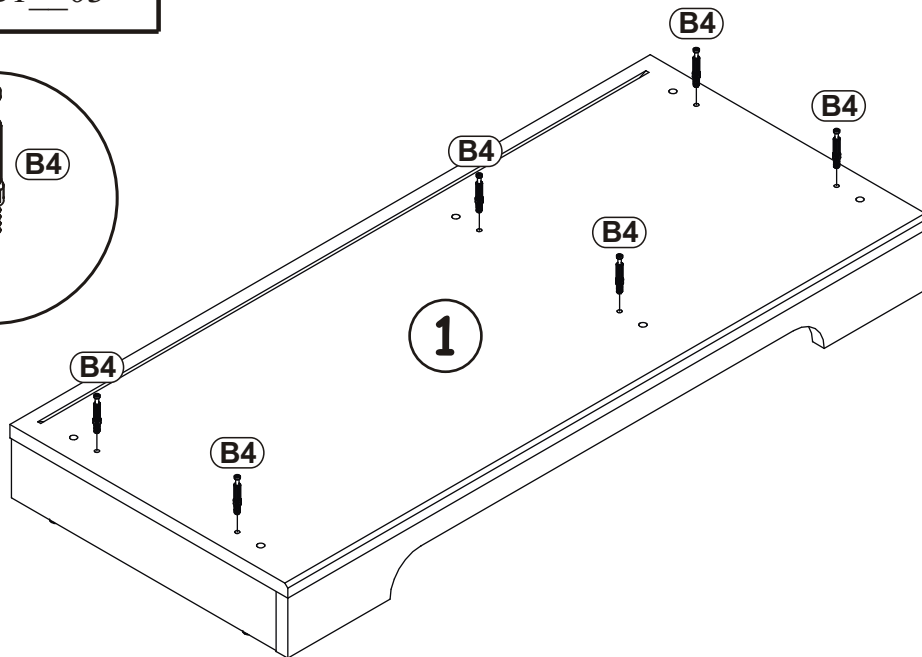
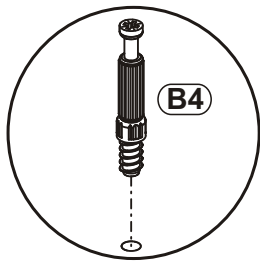
I2	
x6	

I9	
x1	H-60 mm.

UP9	
x4	UPØ3,5x16

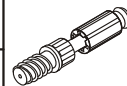


18

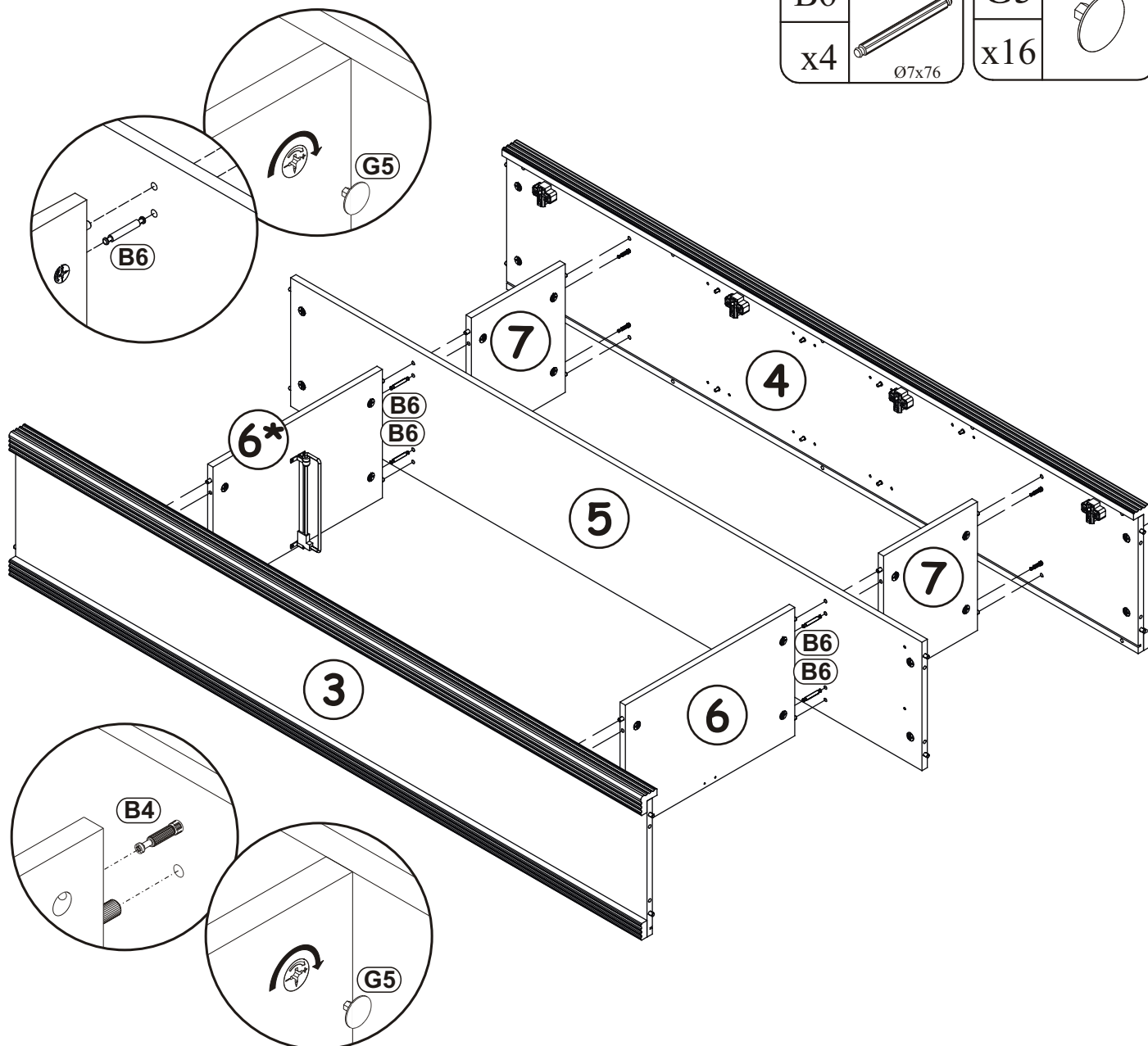
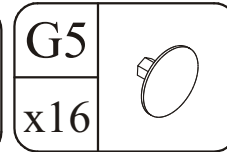
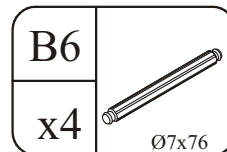



B4

x6

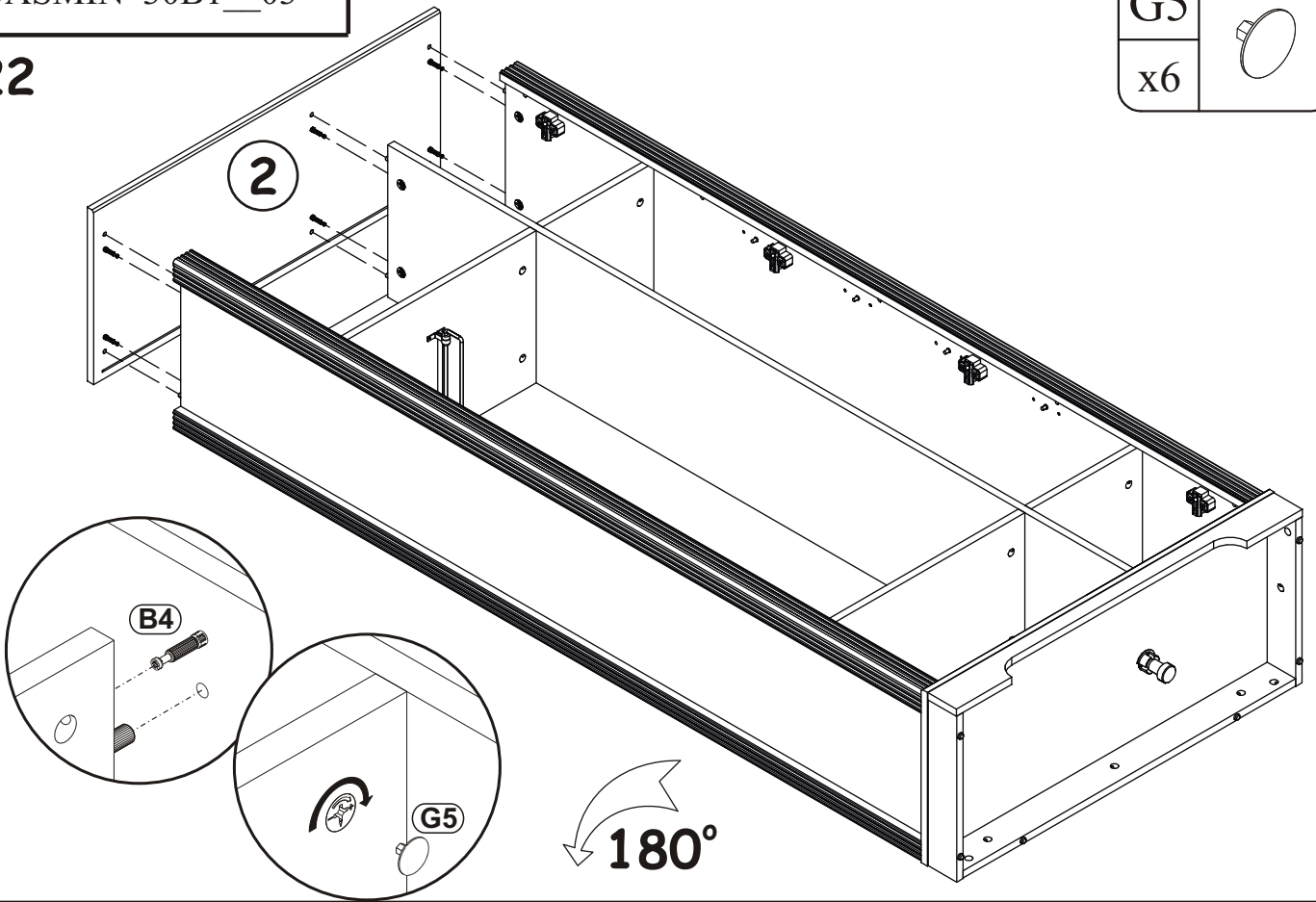


19



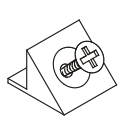
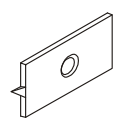

G5	
x6	

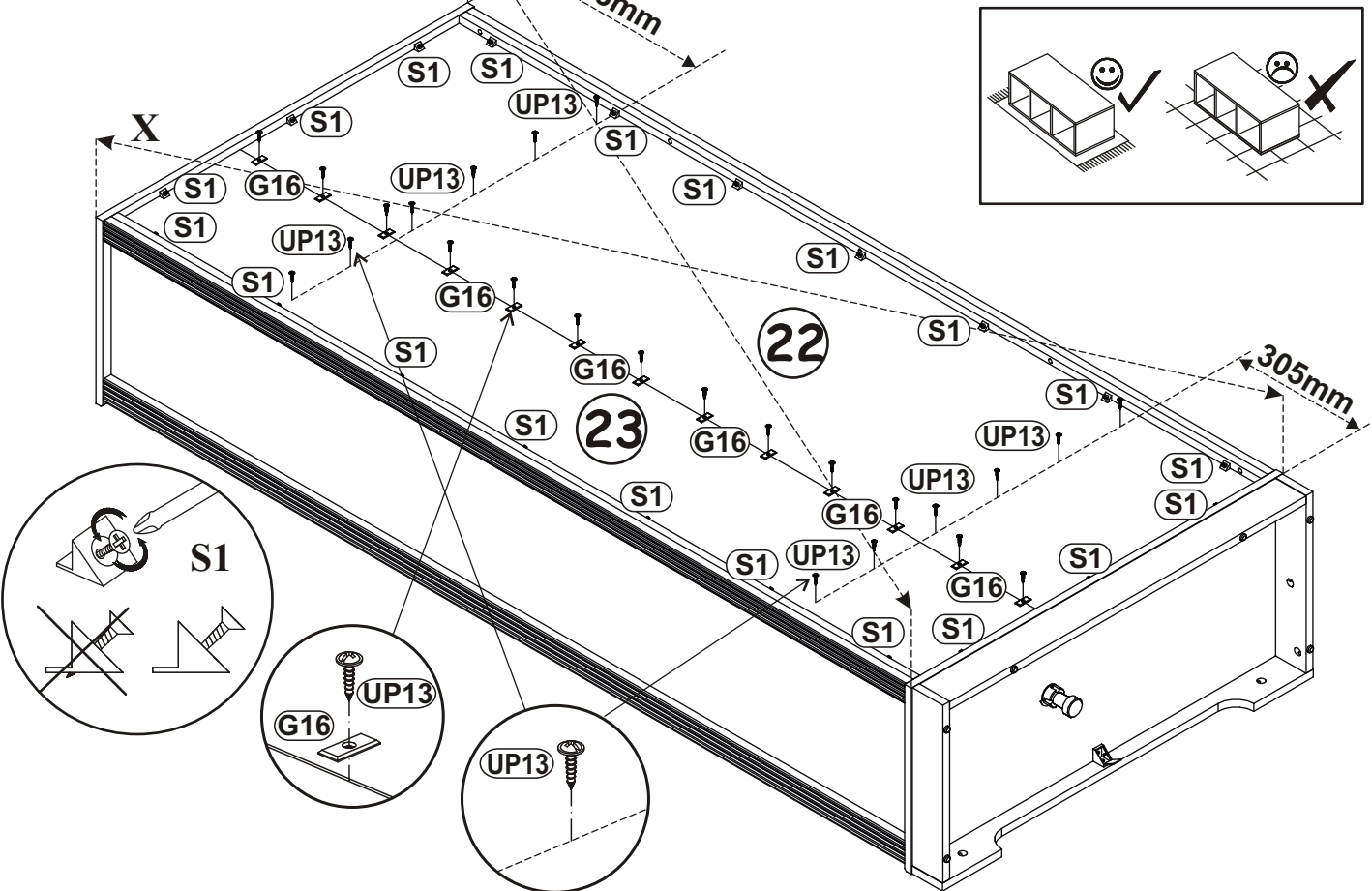
22



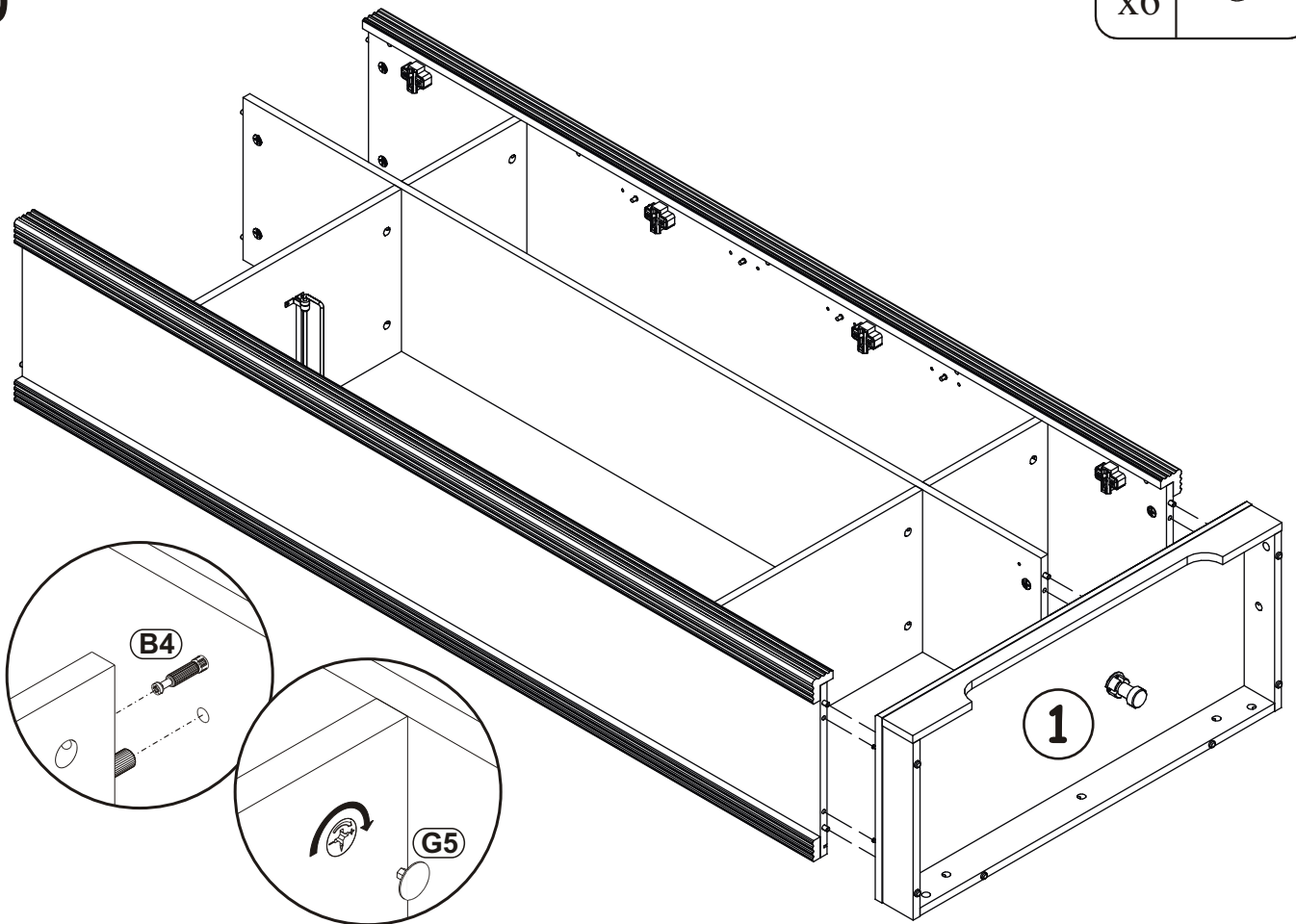
23

X=Y 90°

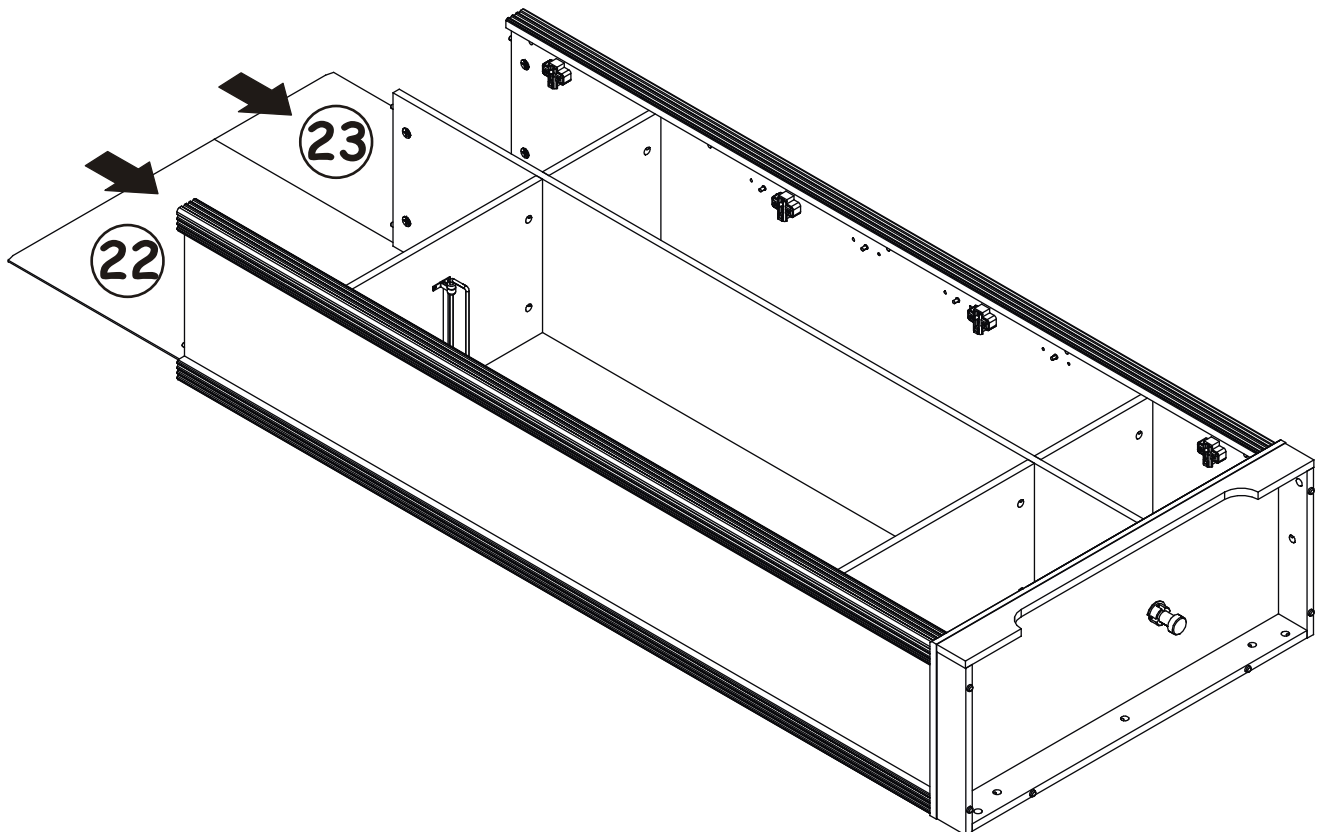
S1		G16		UP13	
x20		x13		x25	UPØ3x16



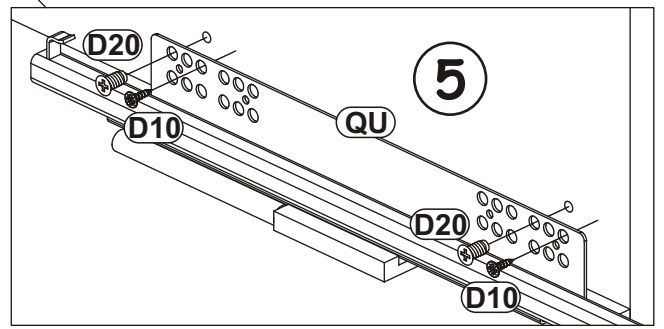
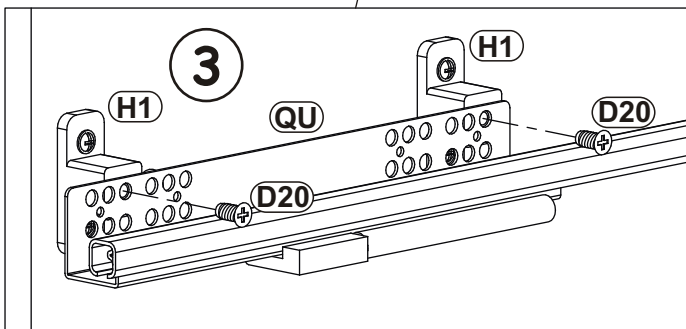
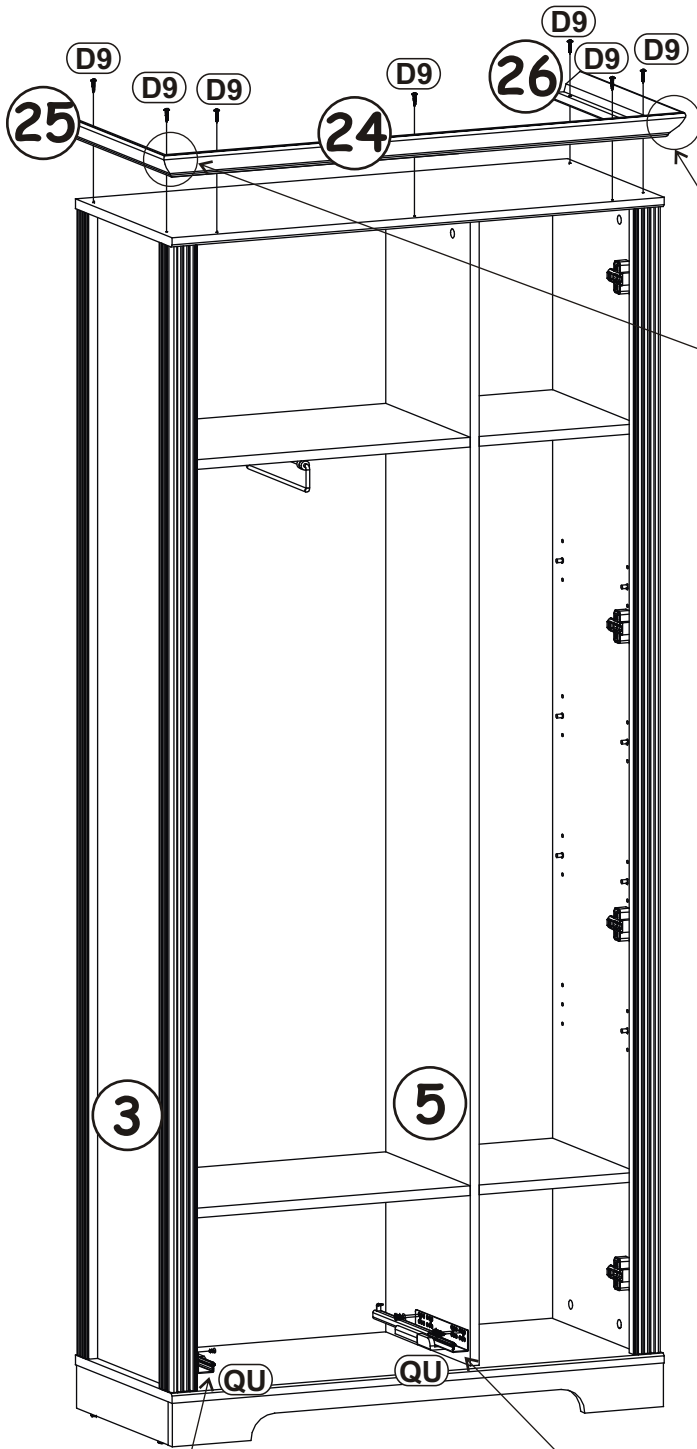
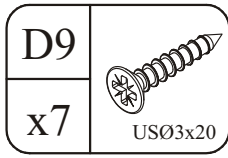
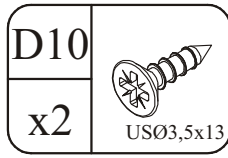
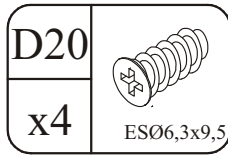
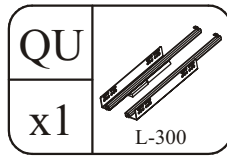
20



21



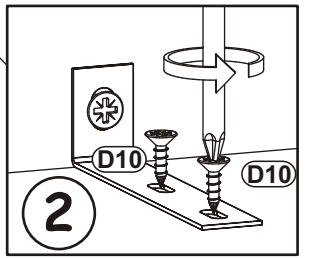
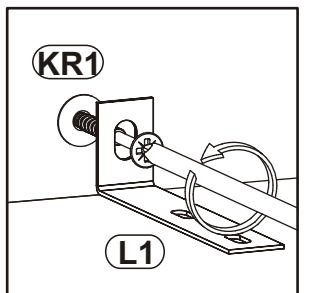
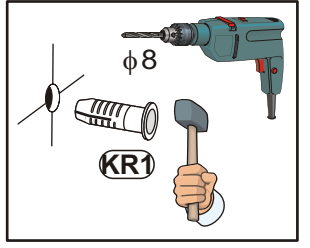
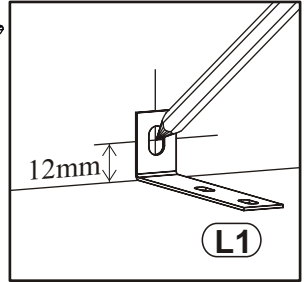
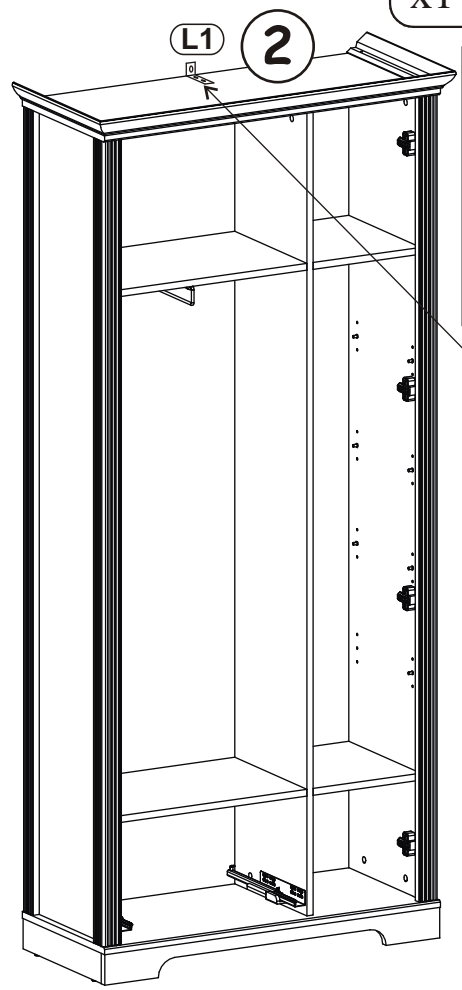
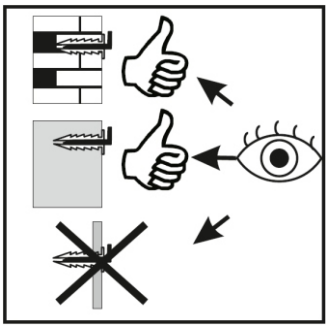
24



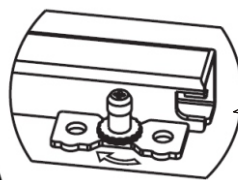
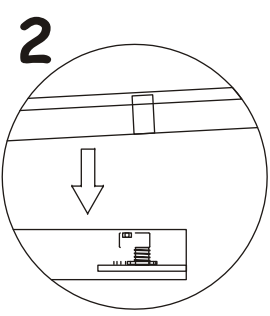
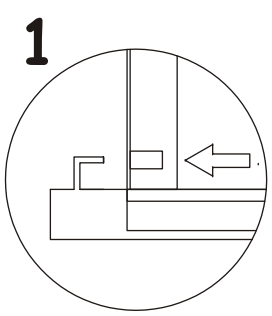
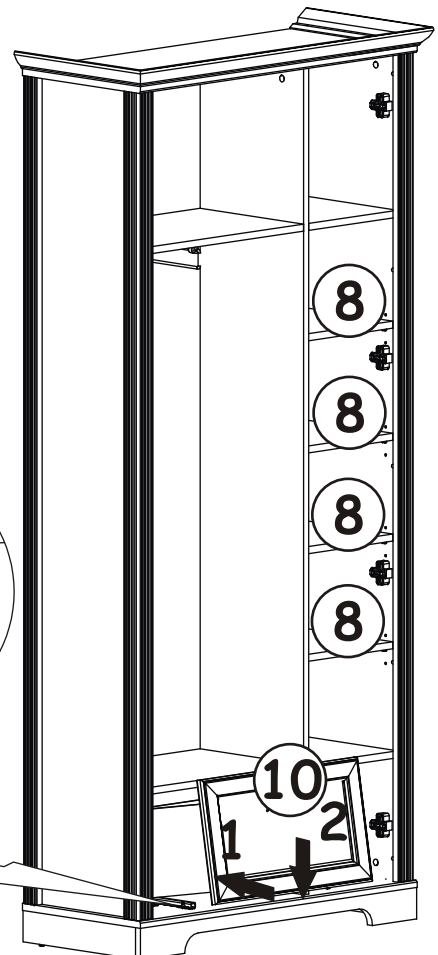


L1		KR1		D10	
x1		x1		x2	US03,5x13

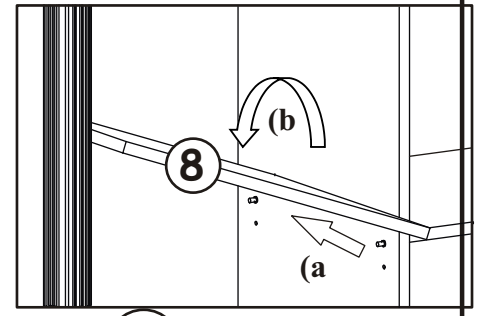
25



26

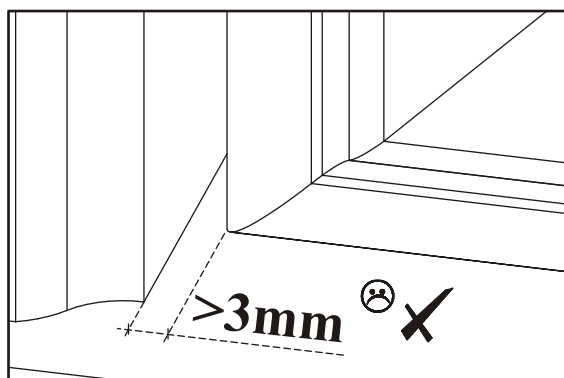
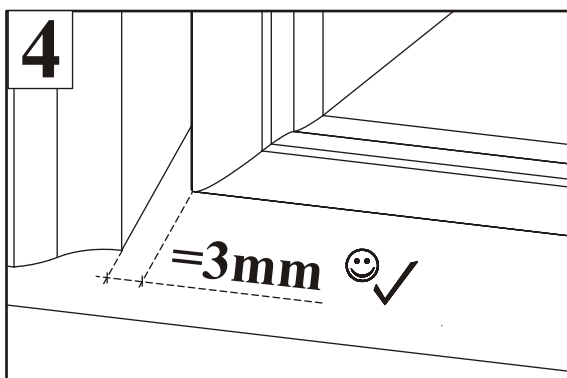
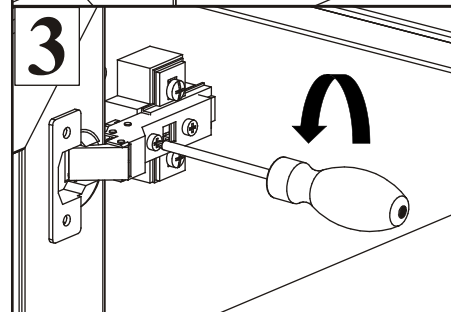
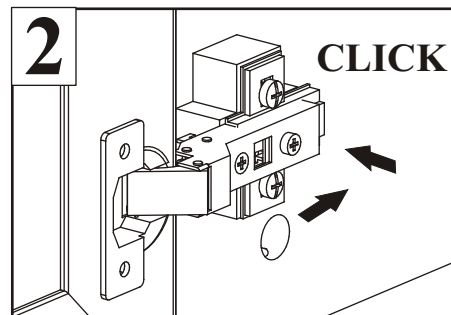
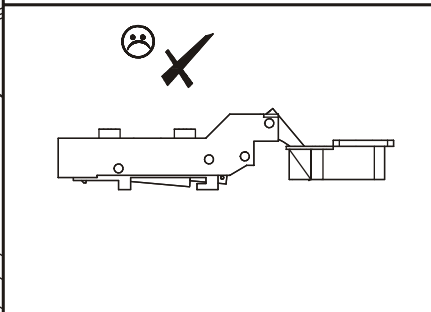
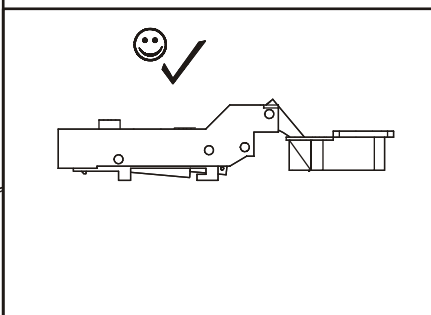
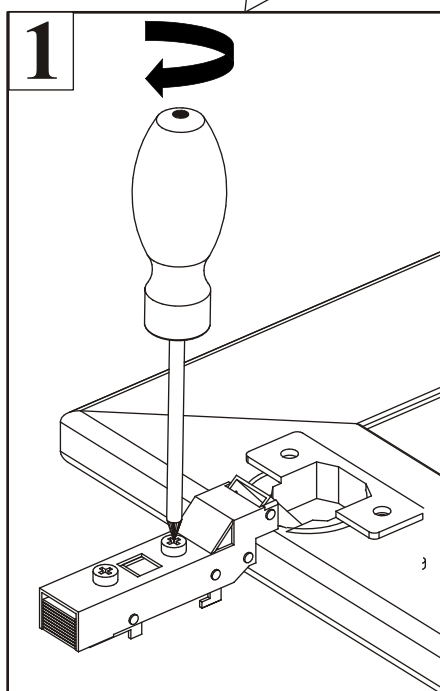
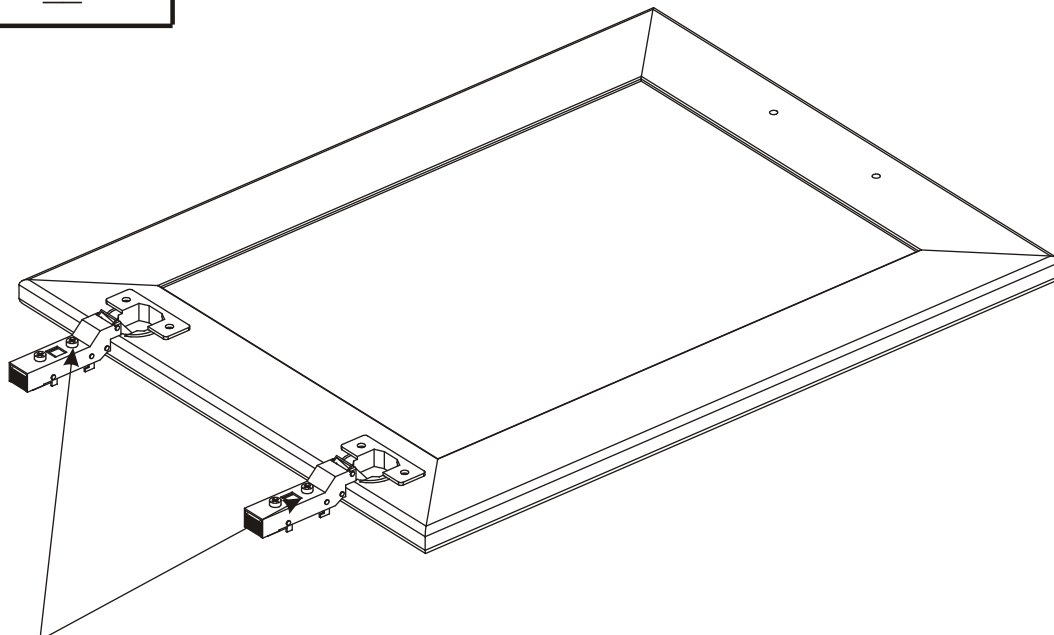


+4mm ↑

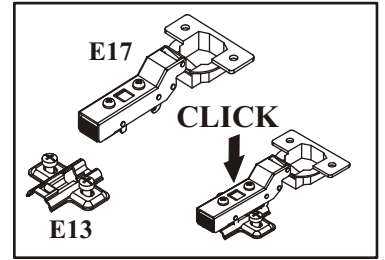
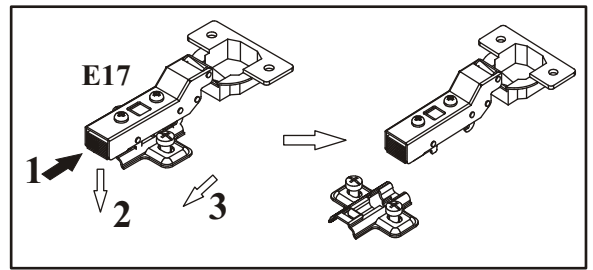
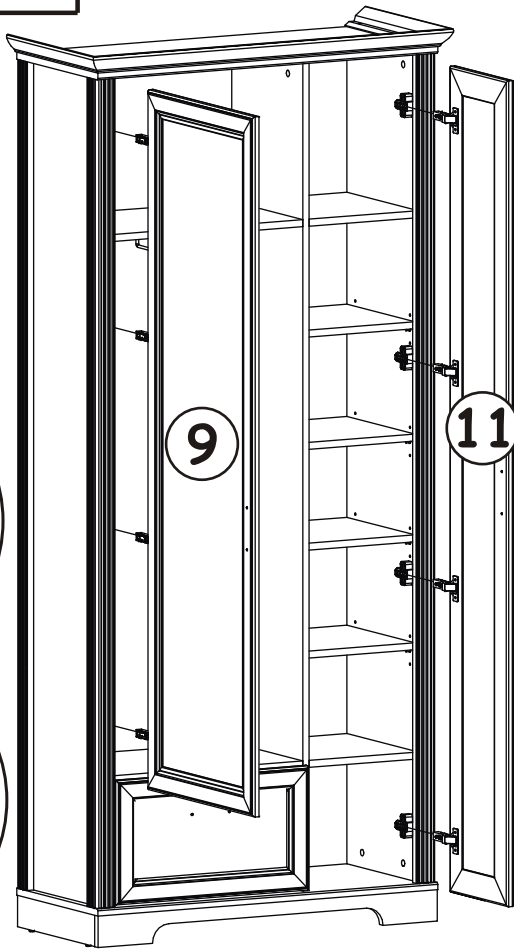
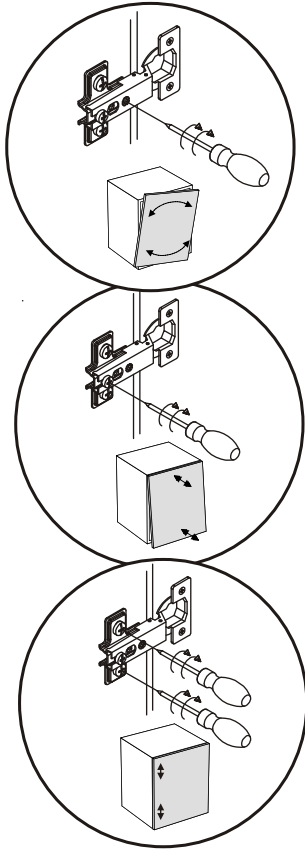


2

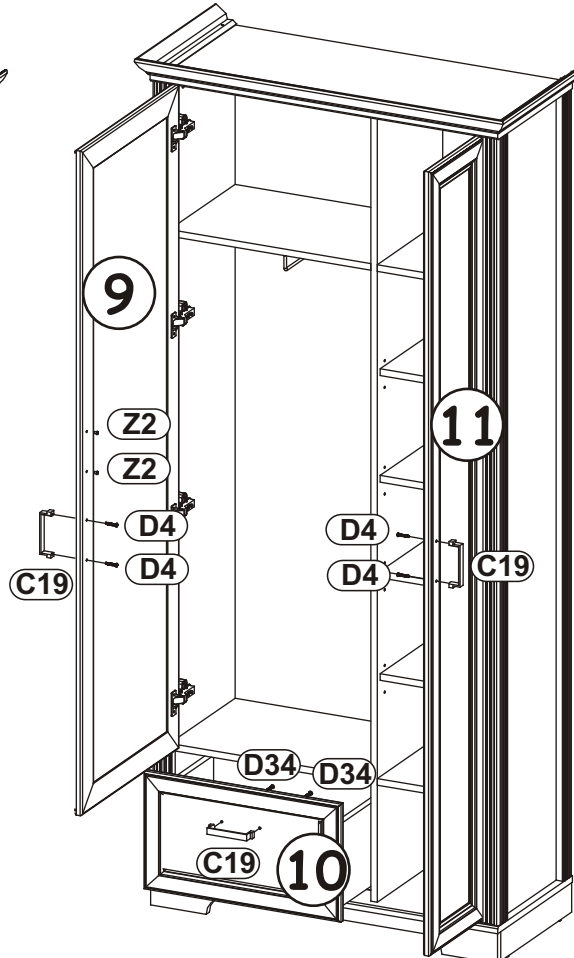
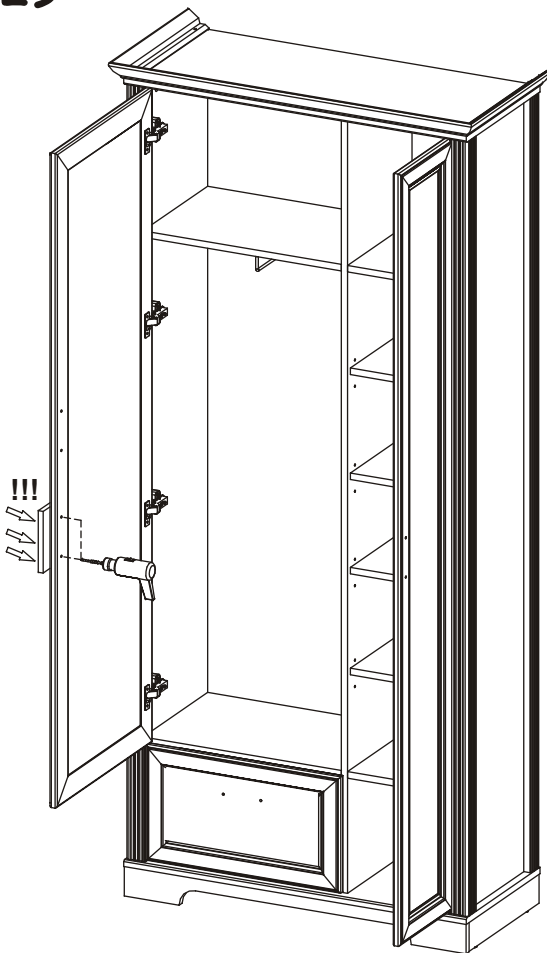
27



28



29



C19	
x3	
D34	
x2	M4x16
D4	
x4	M4x30
Z2	
x2	Ø5

