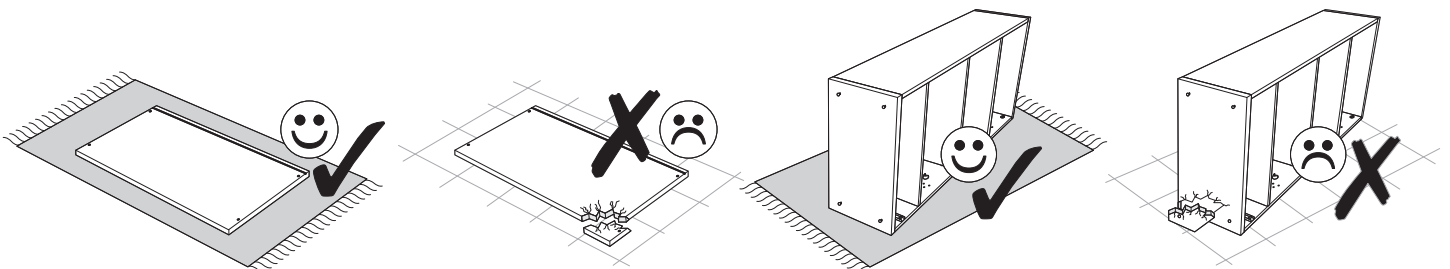
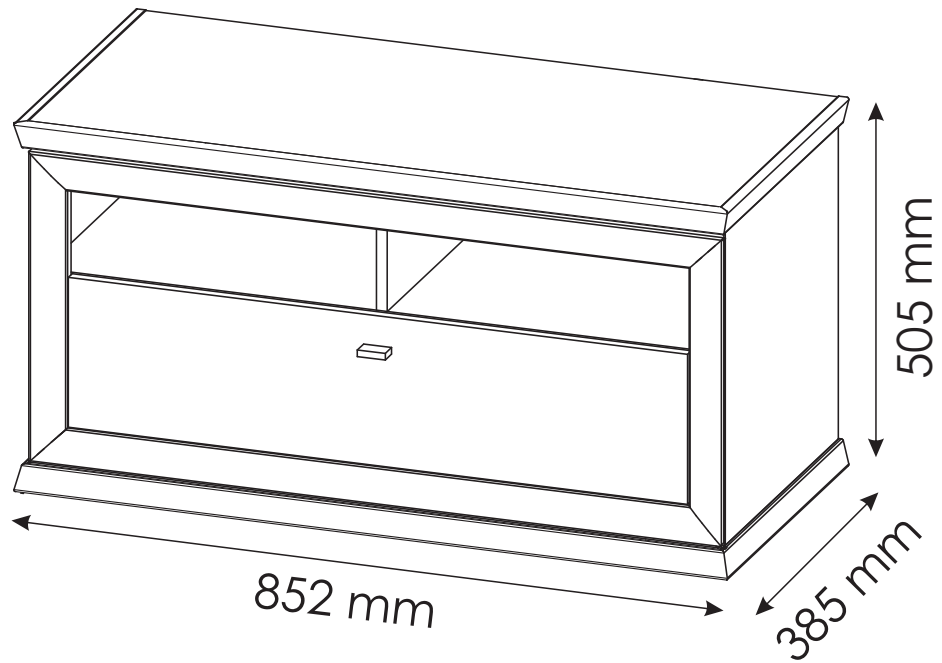
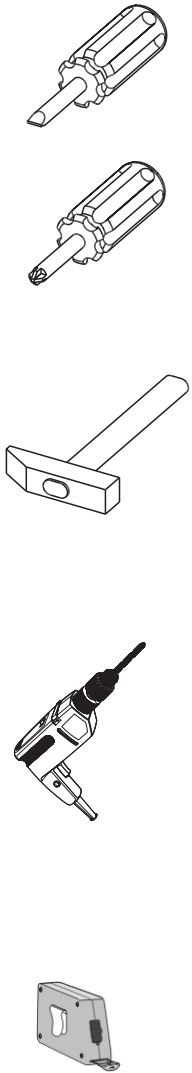
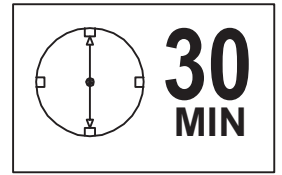
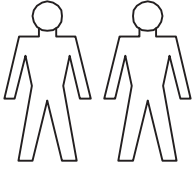
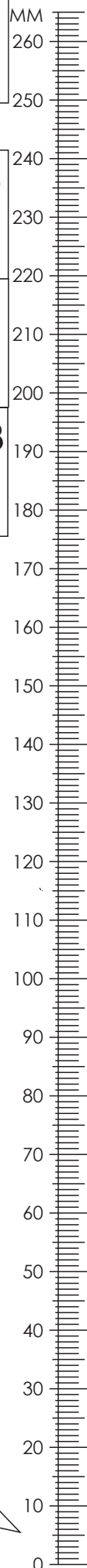

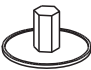




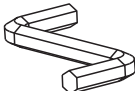

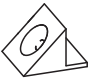
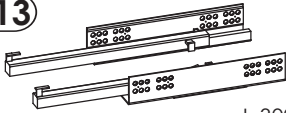



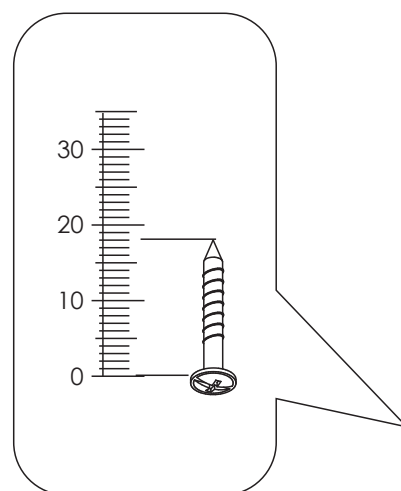
CAMRON - GARDEROBENBANK



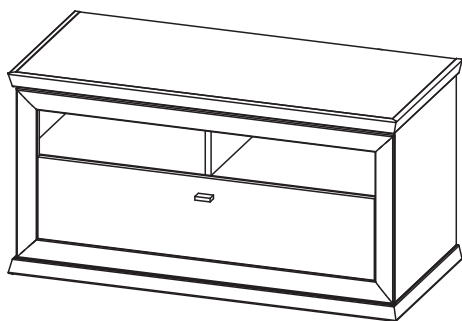
CAMRON - GARDEROBENBANK




B1 f 7 x 50 mm x6 	C0 x14 	C2 x28 
D0 3 x 15 mm x18 	D31 6,3 x 13 mm x8 	H2 4 x 22 mm x2 
K x1  4mm	L6 x1 	M1 x18 
N13 x1  L-300mm	U2 x6 	

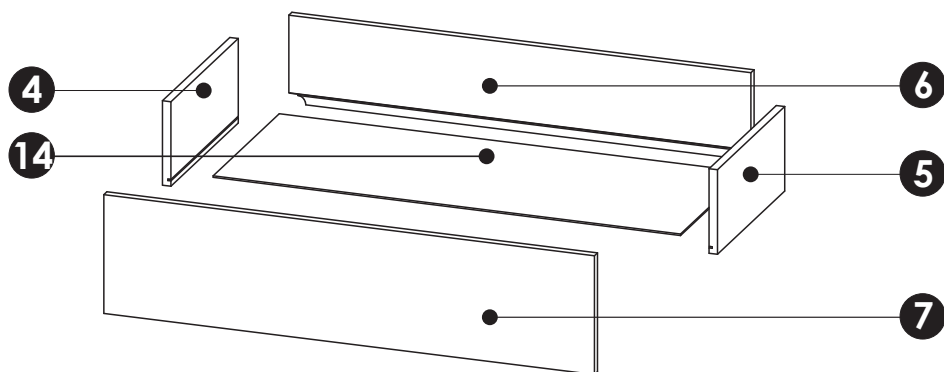
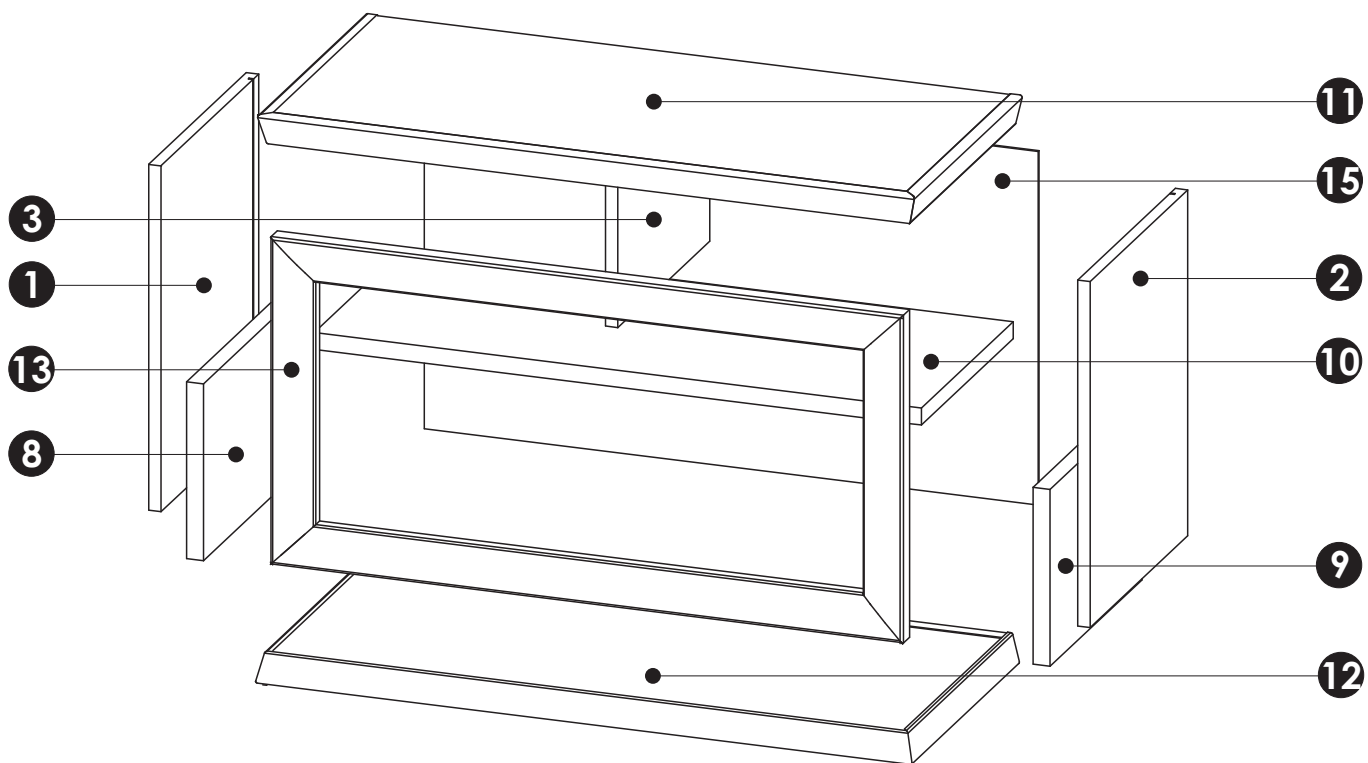


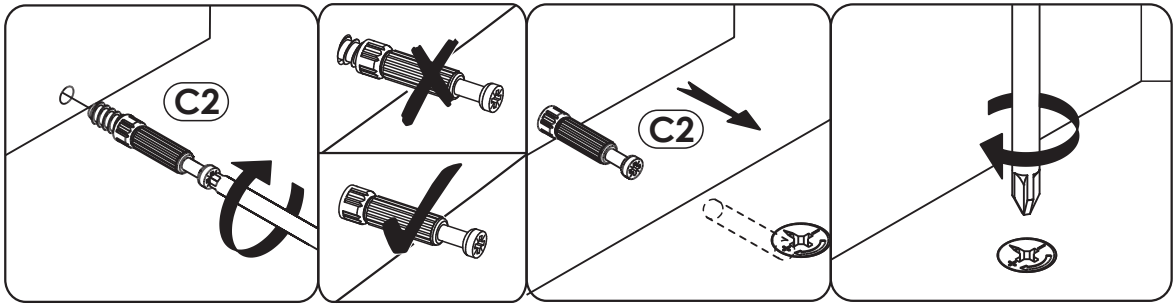
CAMRON - GARDEROBENBANK



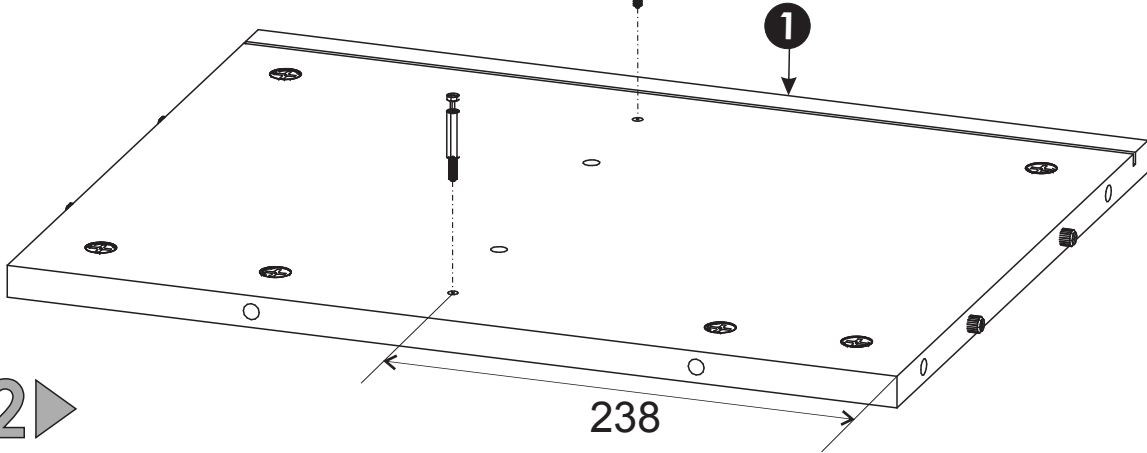
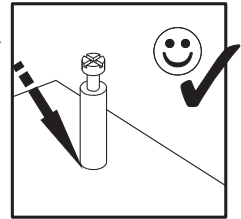
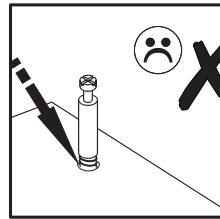
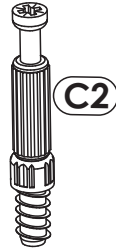
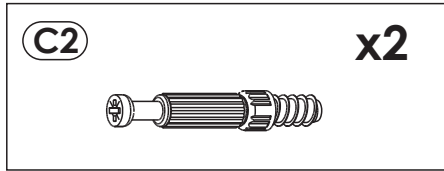
1	449	348	16 x1	1/2
2	449	348	16 x1	1/2
3	197.5	328	16 x1	1/2
4	300	120	16 x1	1/2
5	300	120	16 x1	1/2
6	668	117	16 x1	1/2
7	702	188	16 x1	1/2
8	229.5	328	22 x1	1/2

9	229.5	326	22 x1	1/2
10	788	328	22 x1	1/2
11	852	385	40 x1	2/2
12	852	385	40 x1	2/2
13	816	420	25 x1	2/2
14	678	294	2.8 x1	1/2
15	797	459	2.8 x1	2/2
				1/2

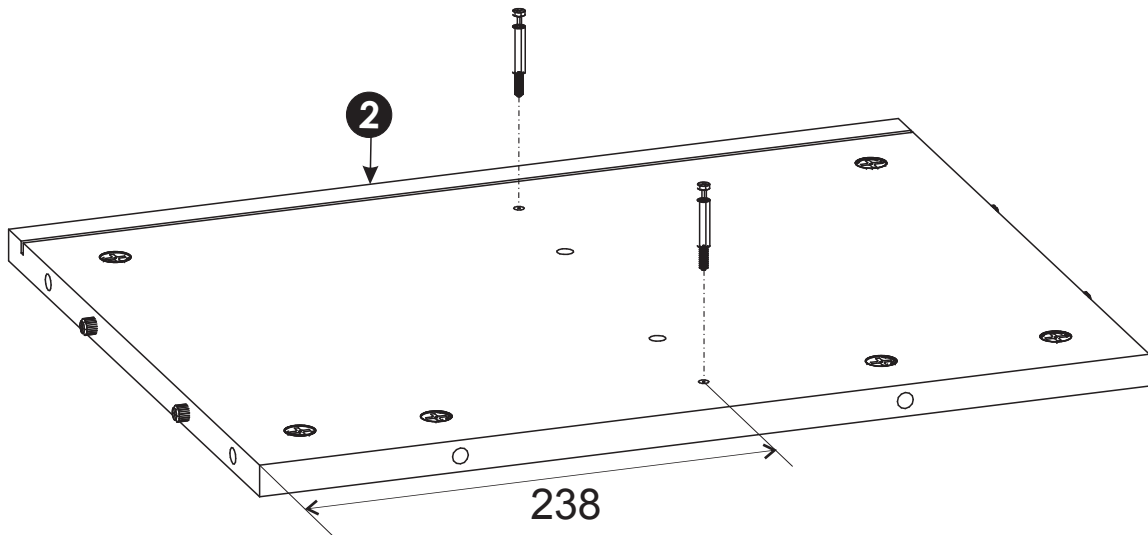
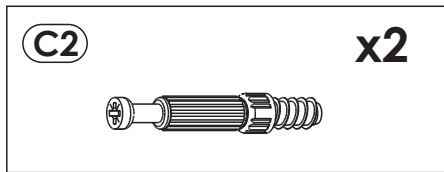




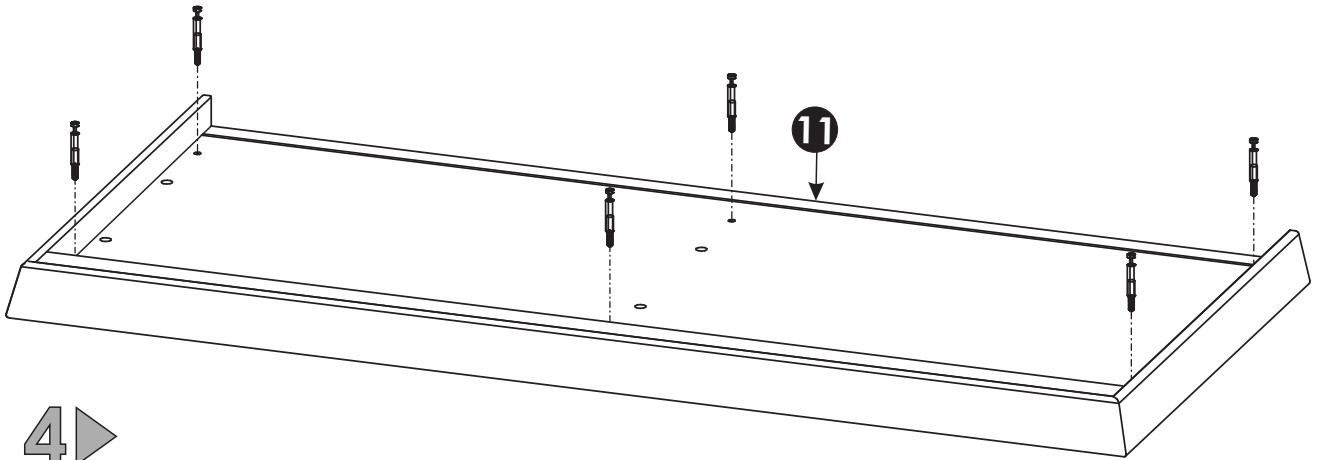
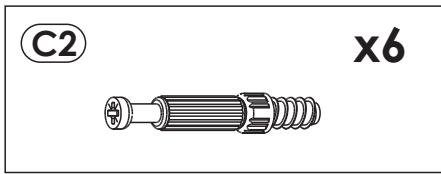
1 ▶



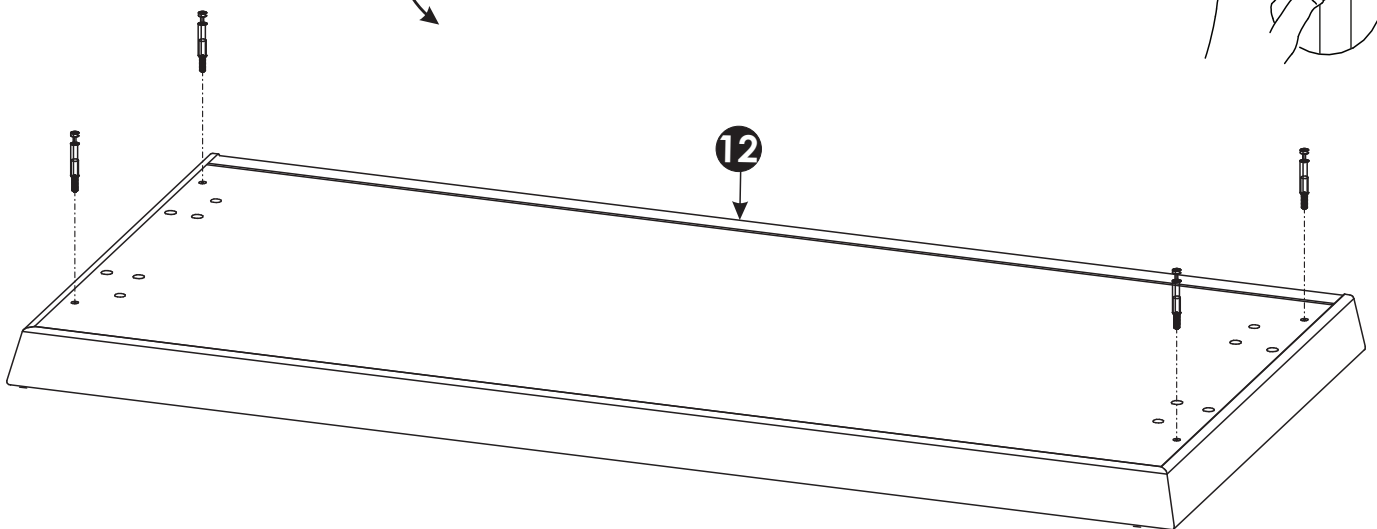
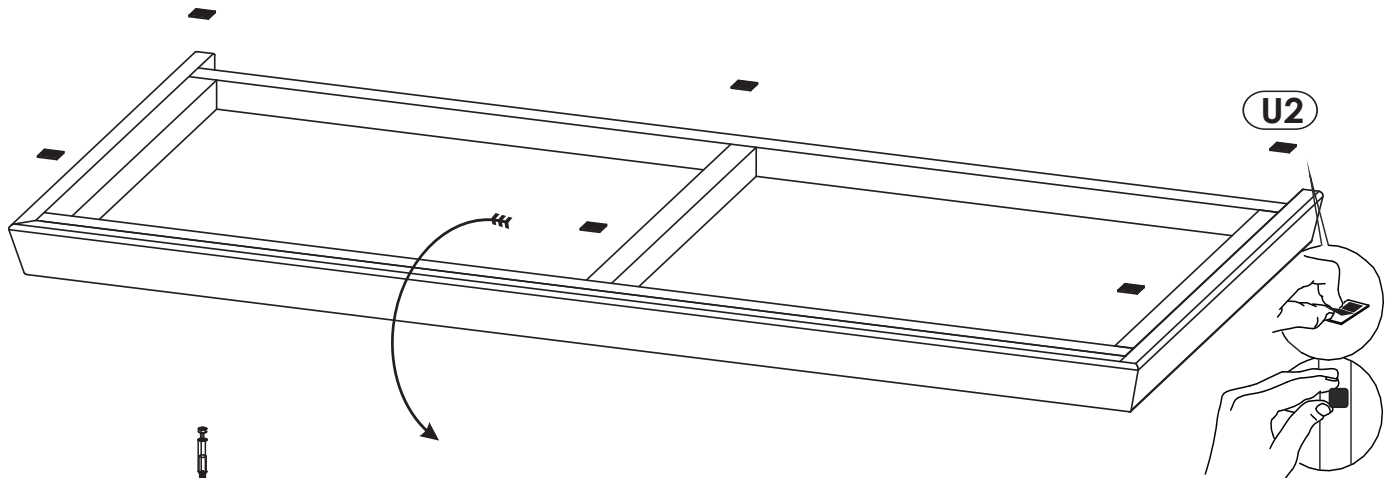
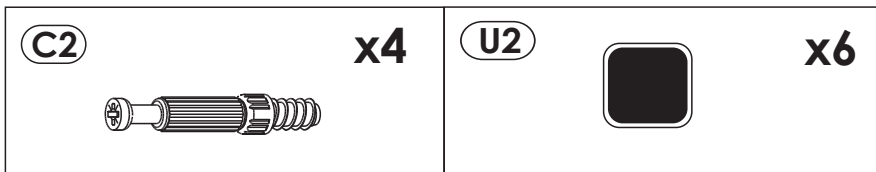
2 ▶



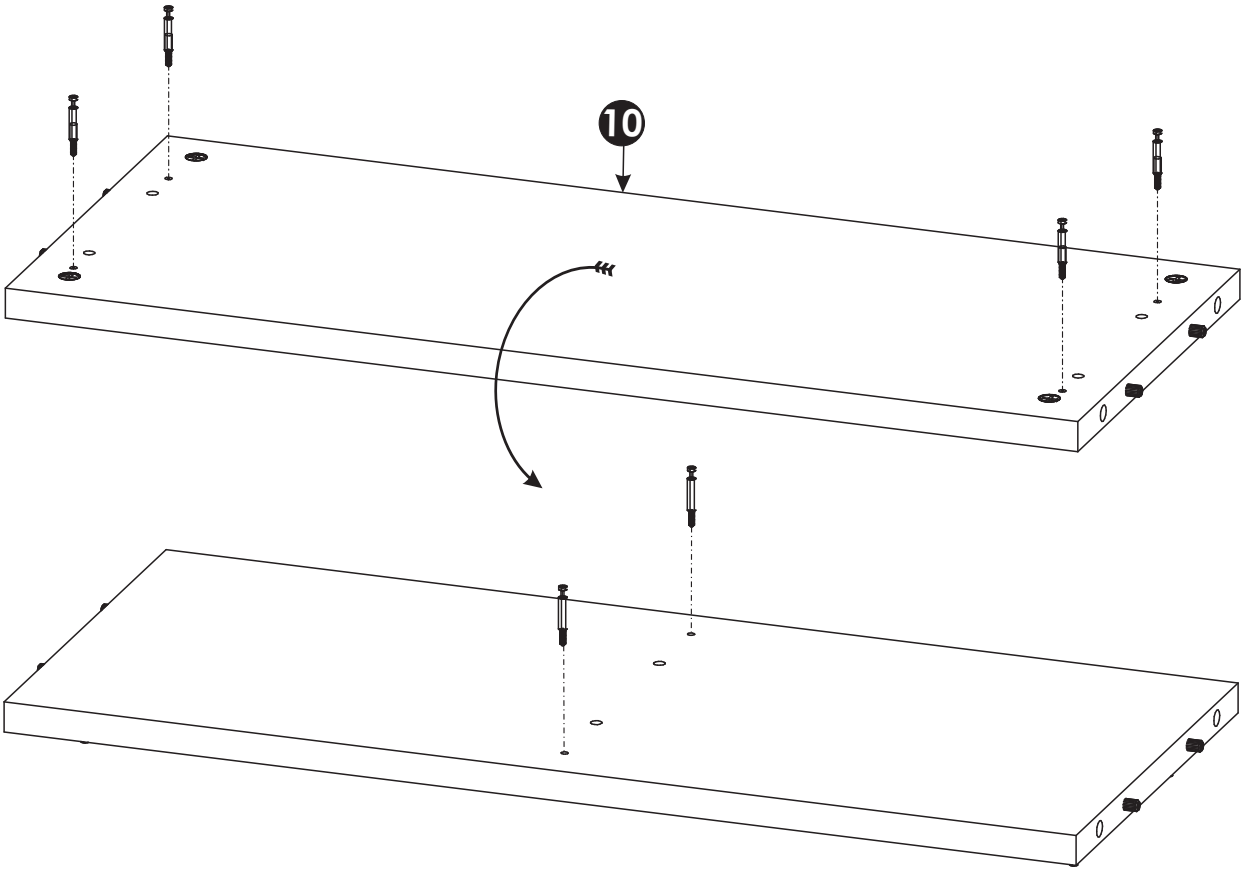
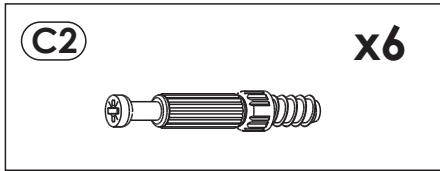
3 ▶



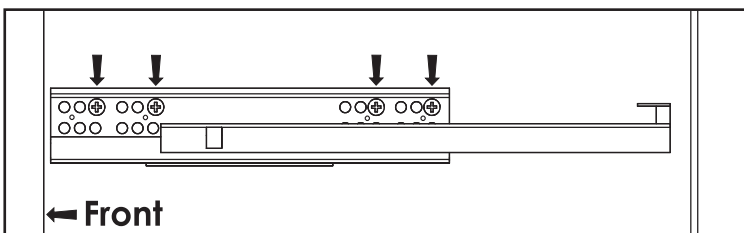
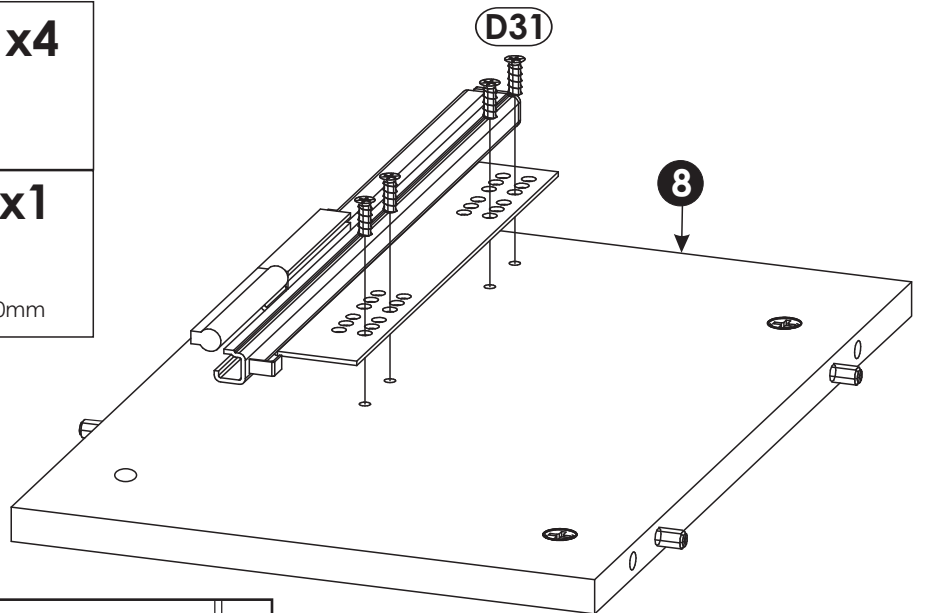
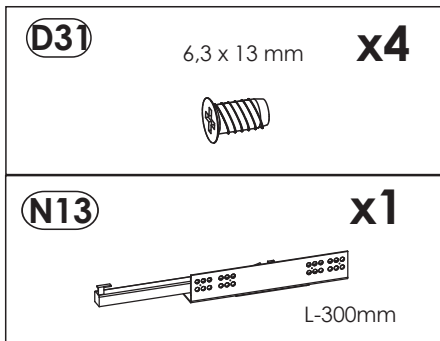
4 ▶

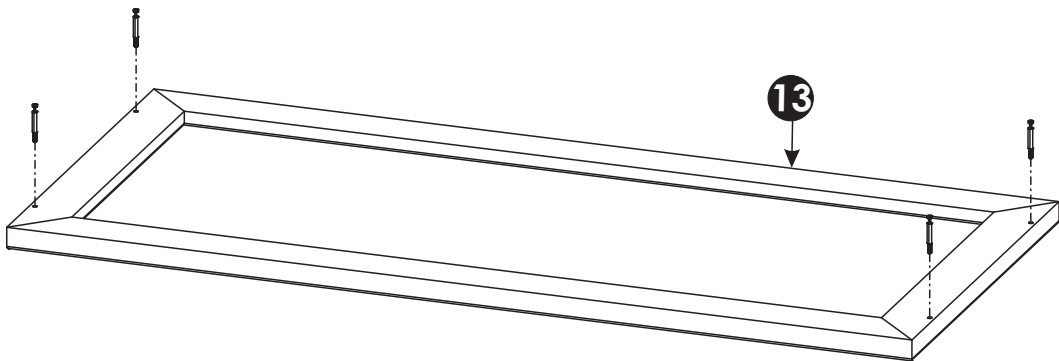
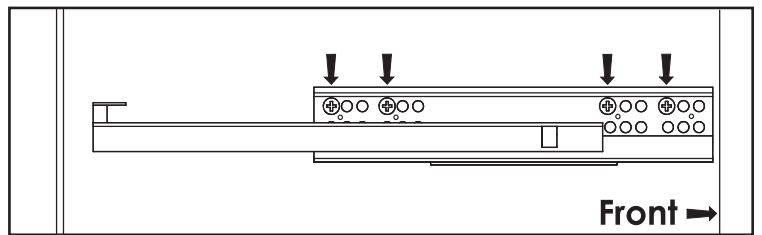
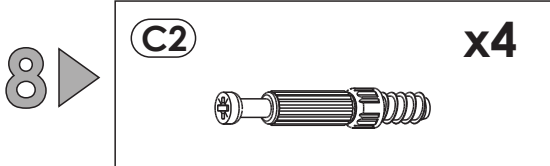
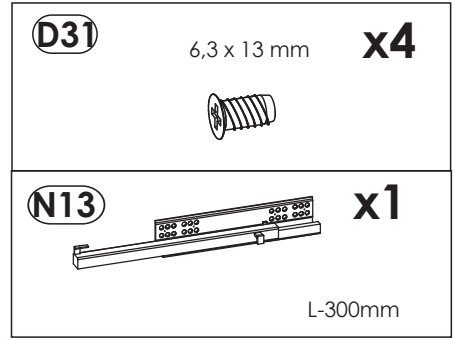
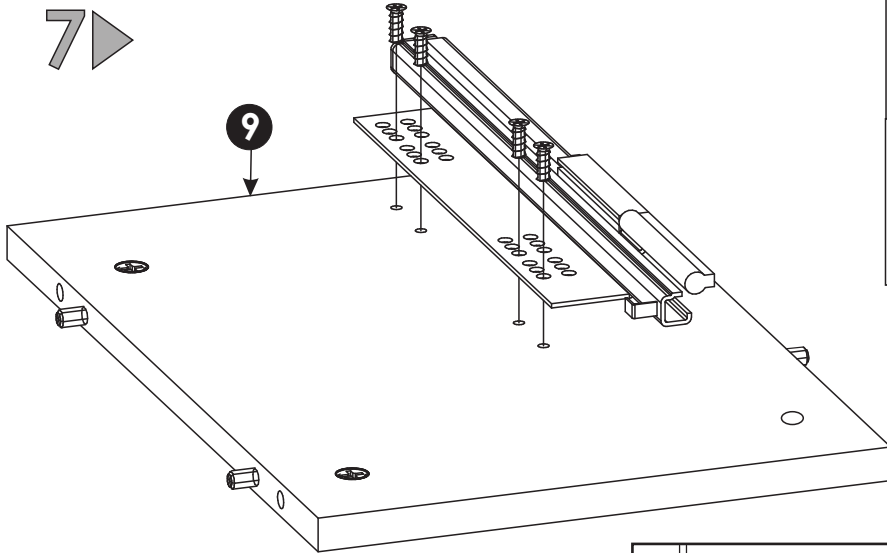


5 ▶

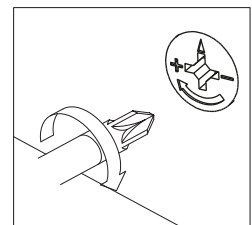
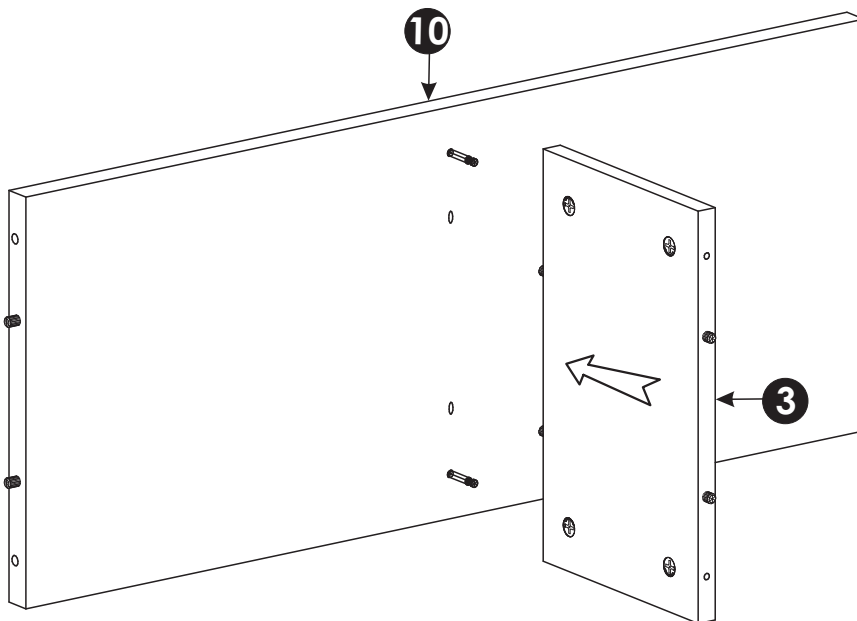


6 ▶

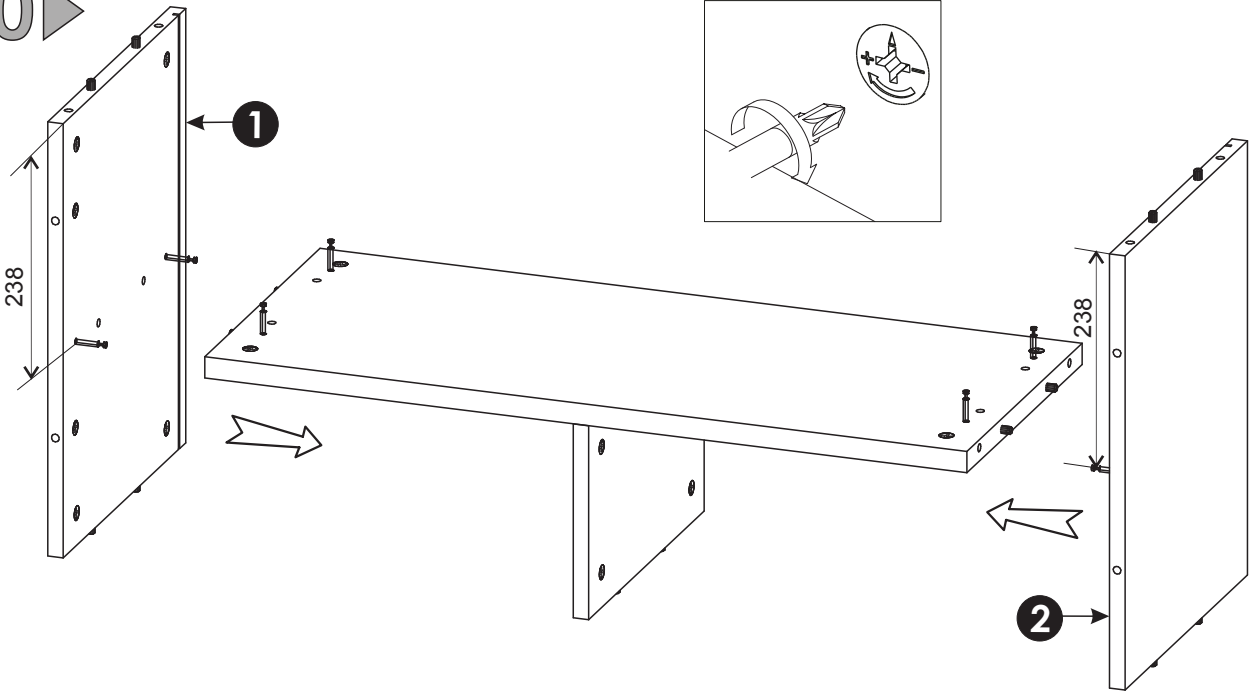




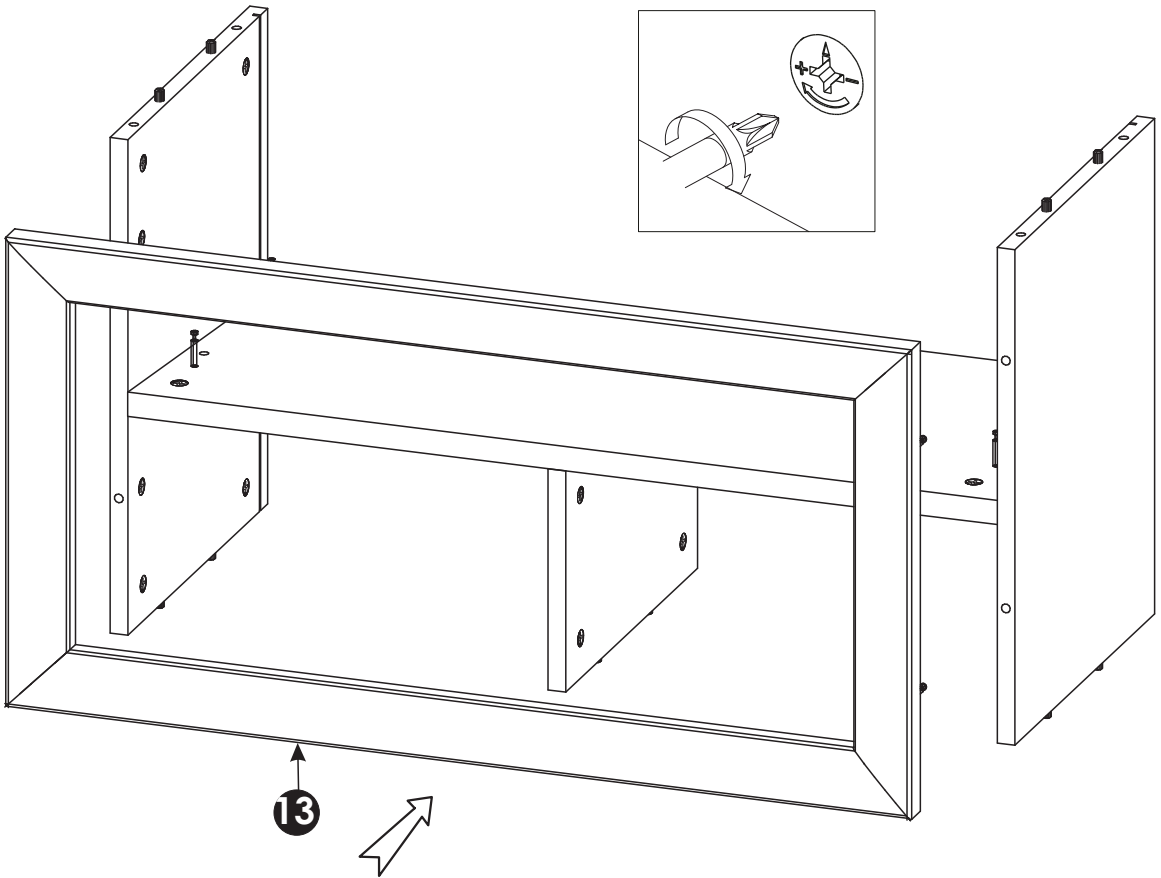
9 ▶



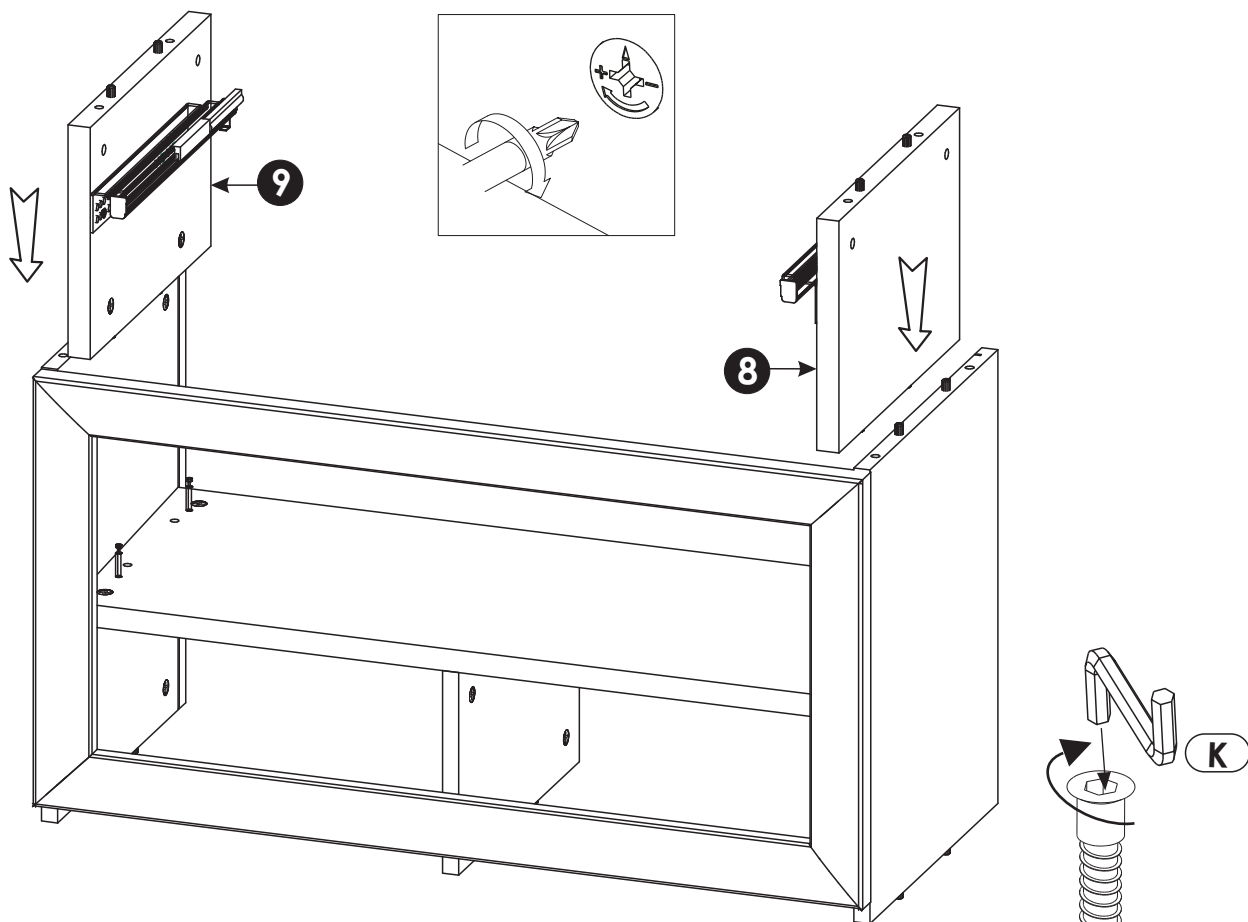
10 ▶



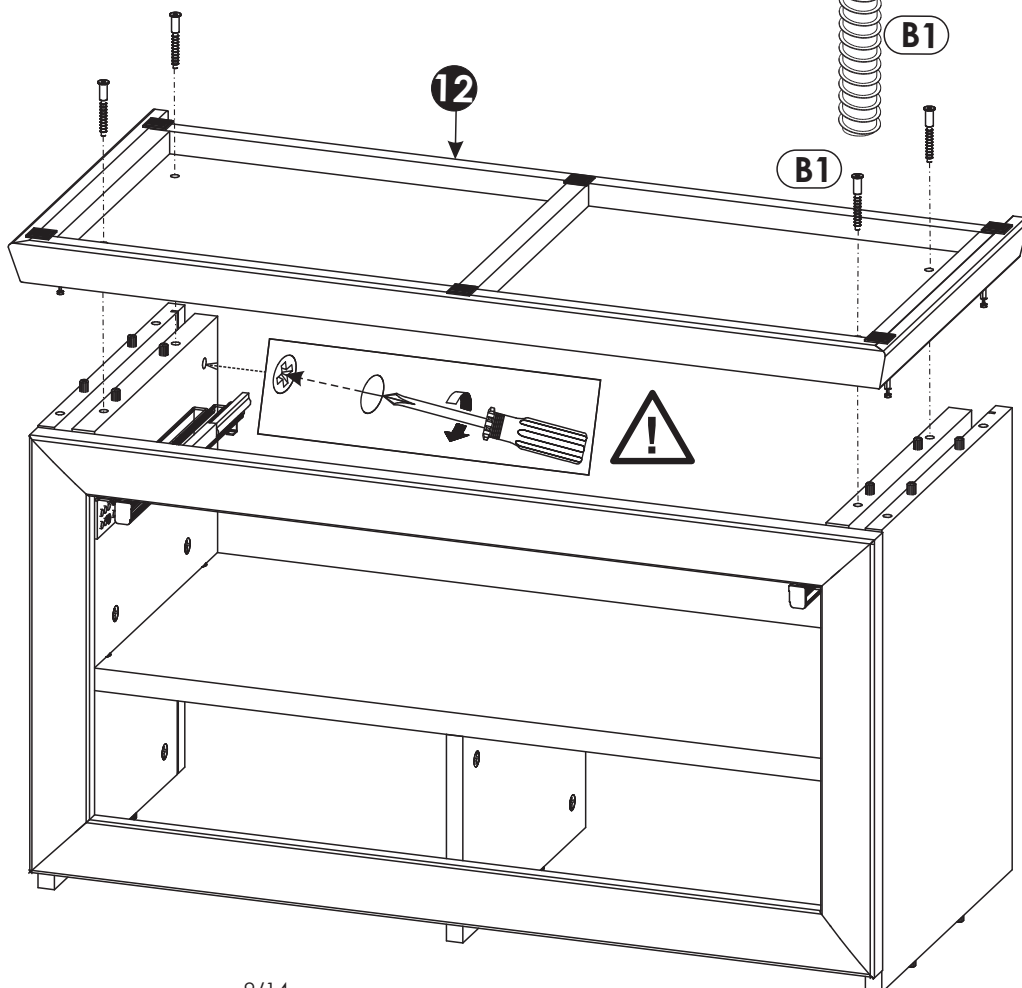
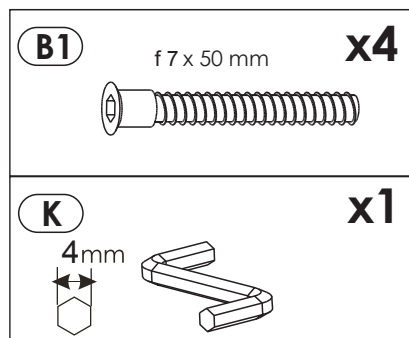
11 ▶



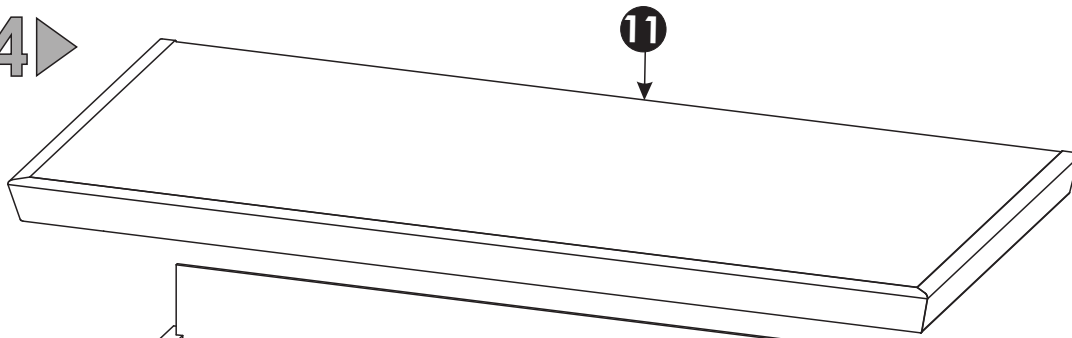
12▶



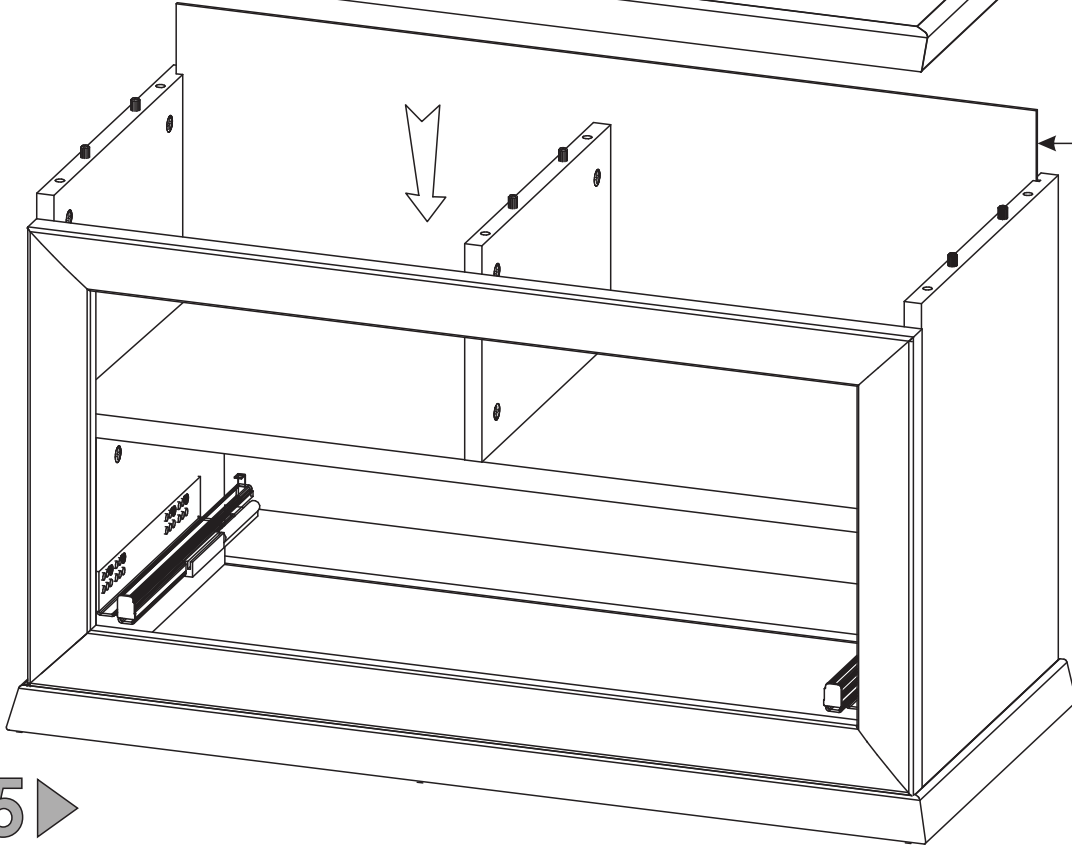
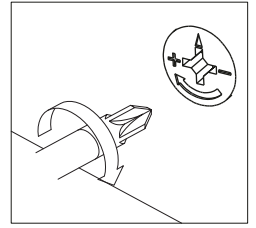
13▶



14 ▶



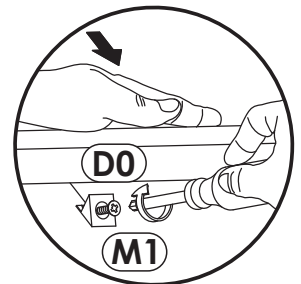
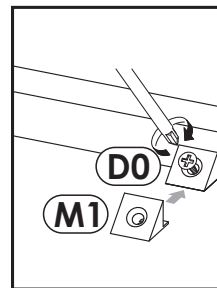
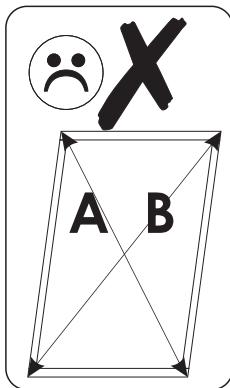
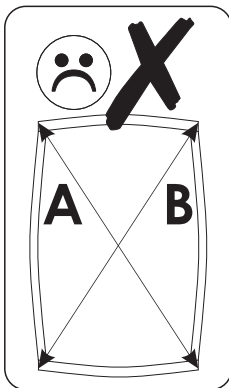
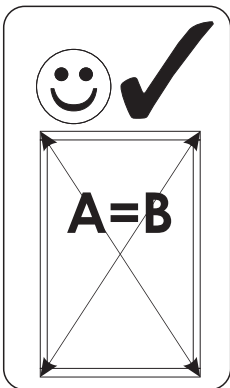
11

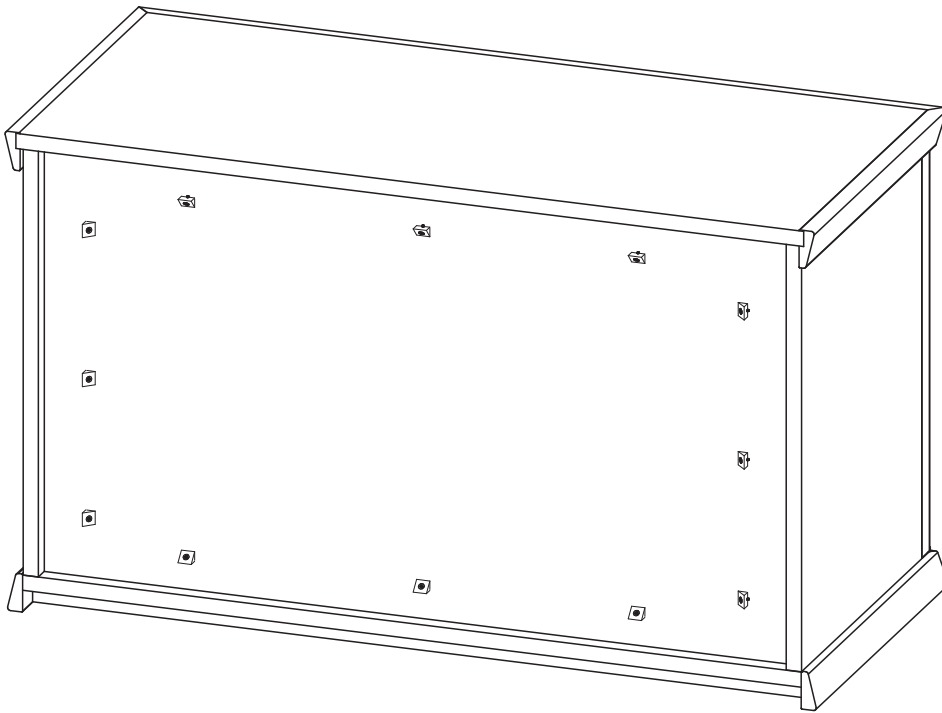


15

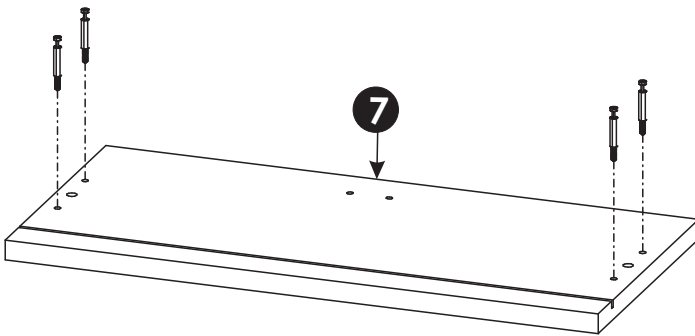
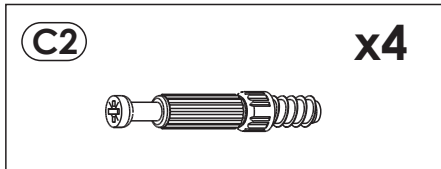
15 ▶

D0	3 x 15 mm	x12	M1	x12

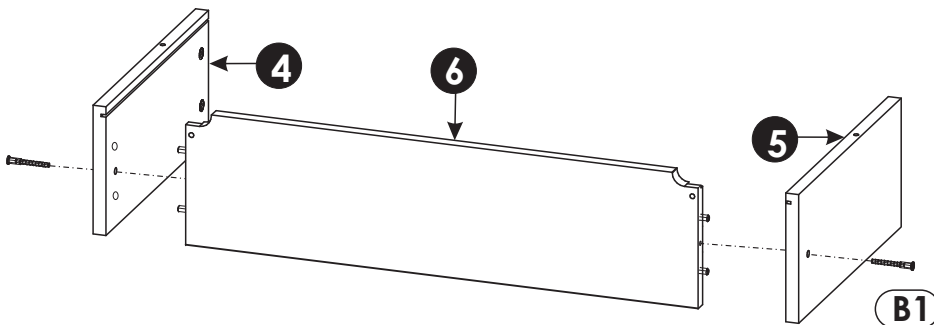
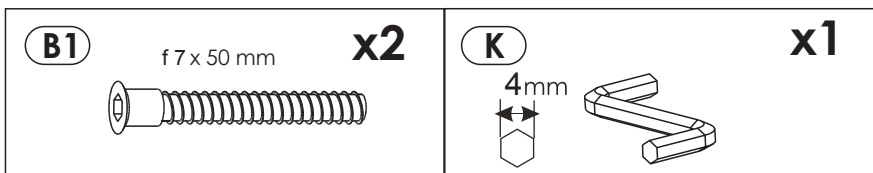


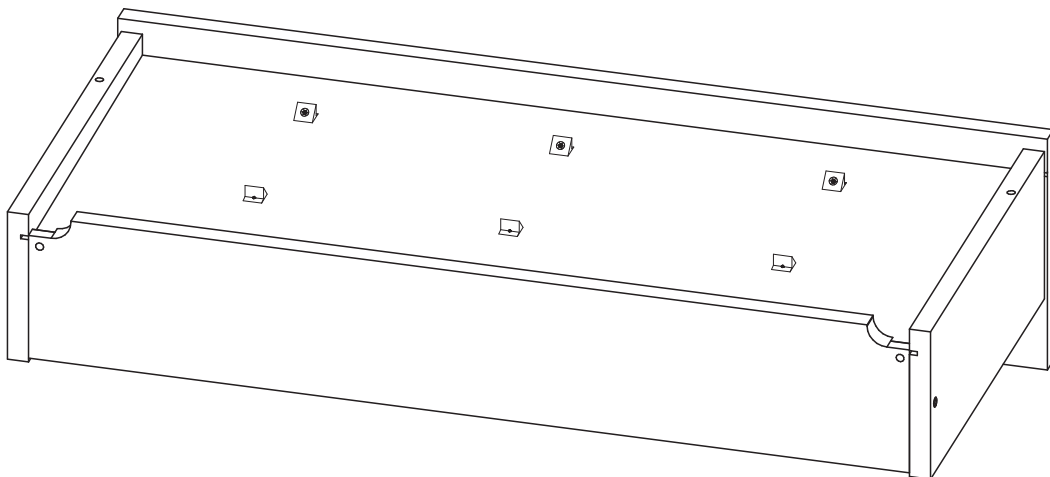
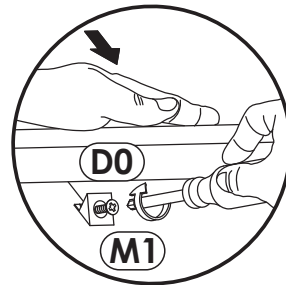
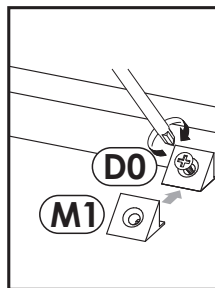
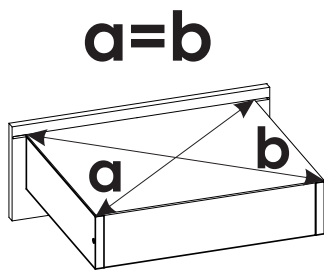
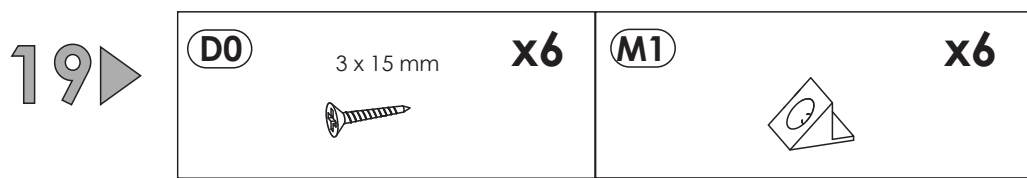
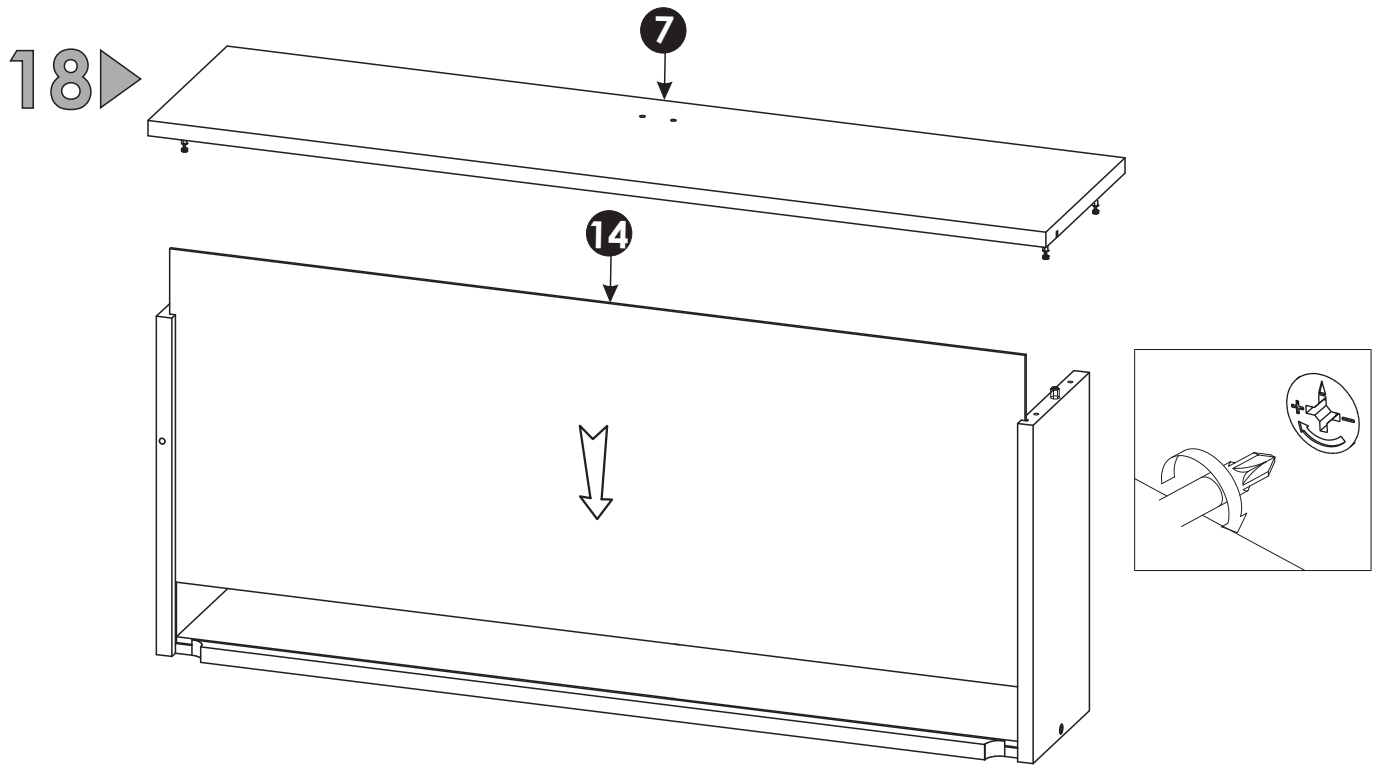


16 ▶

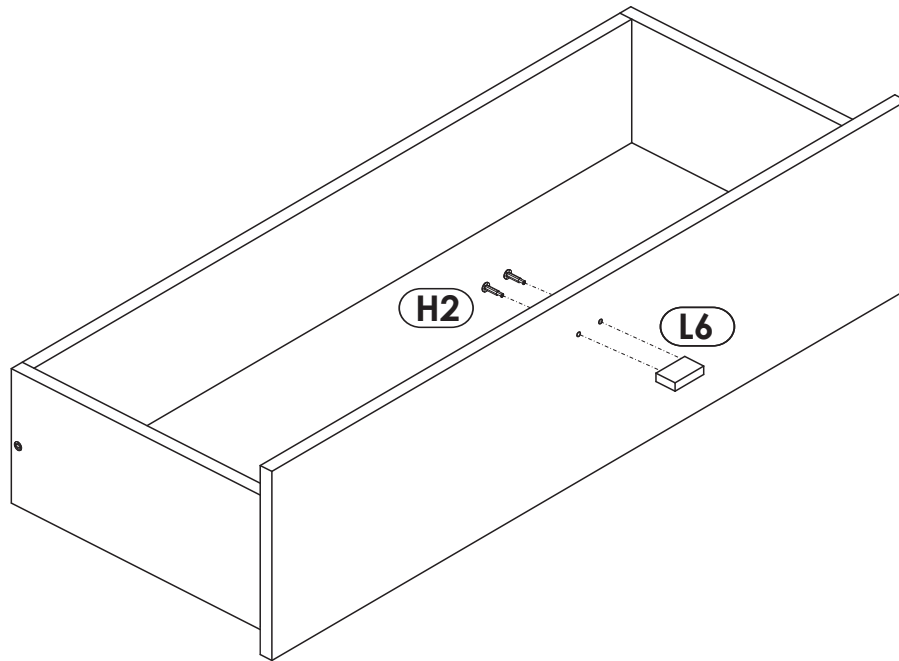
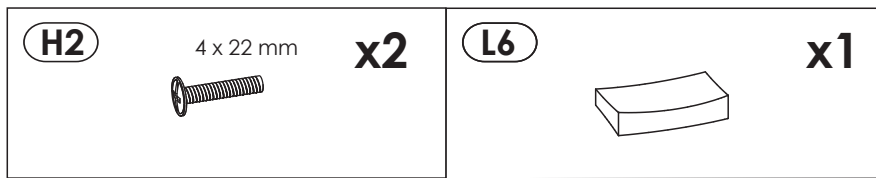


17 ▶

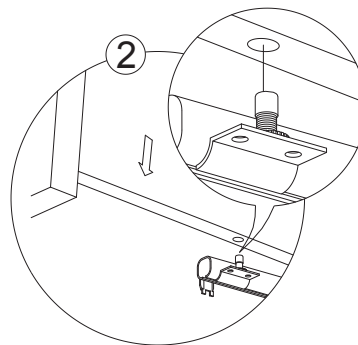
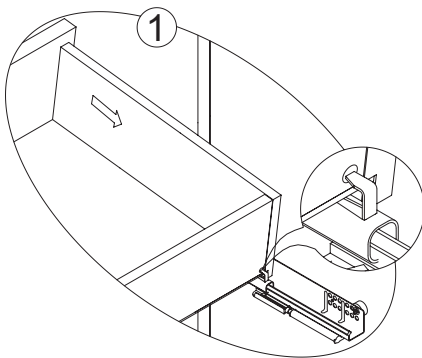
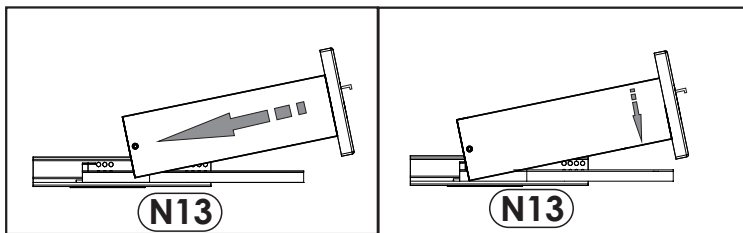
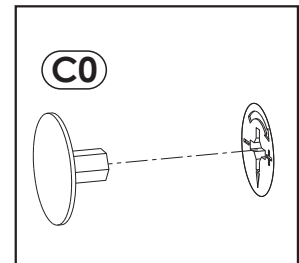
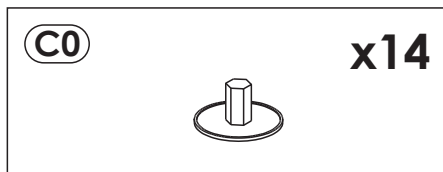


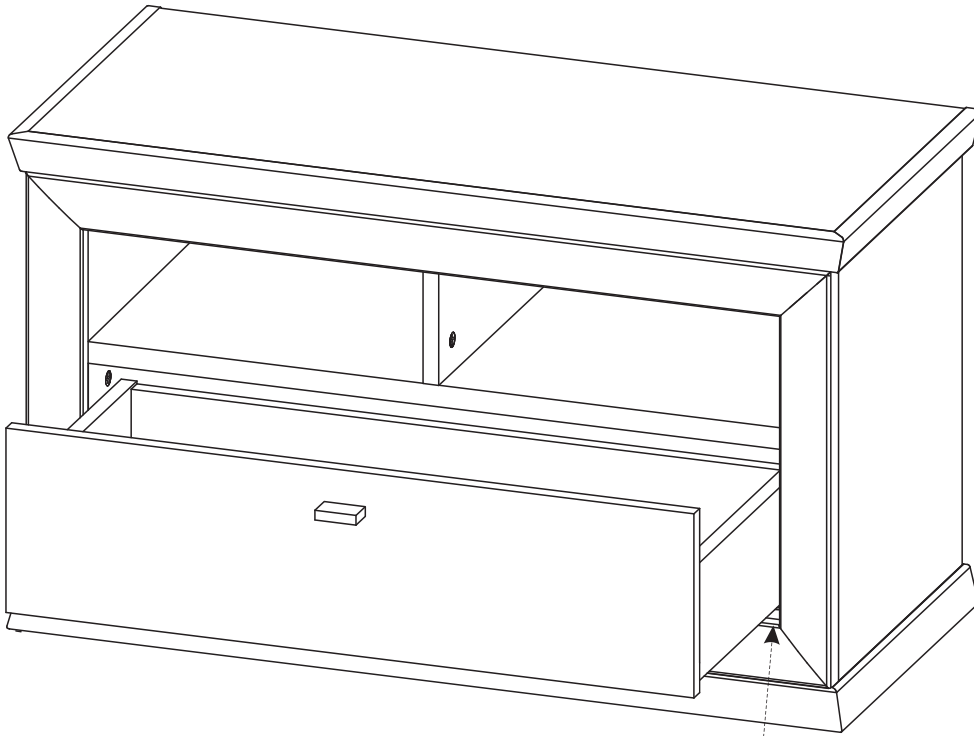


20▶



21▶





22▶

