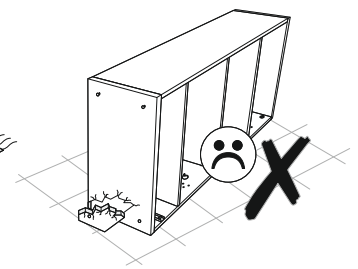
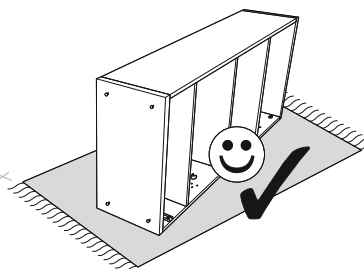
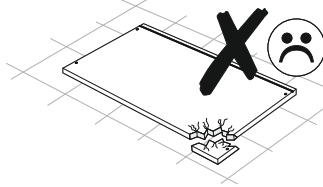
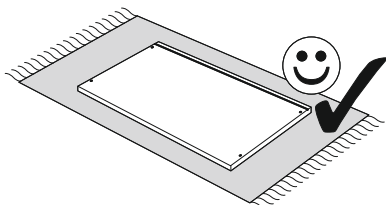
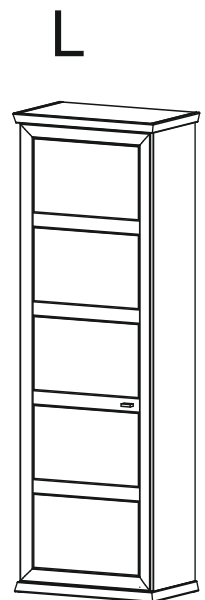
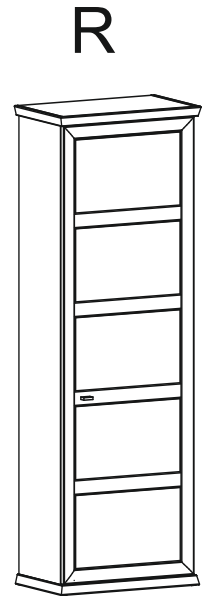
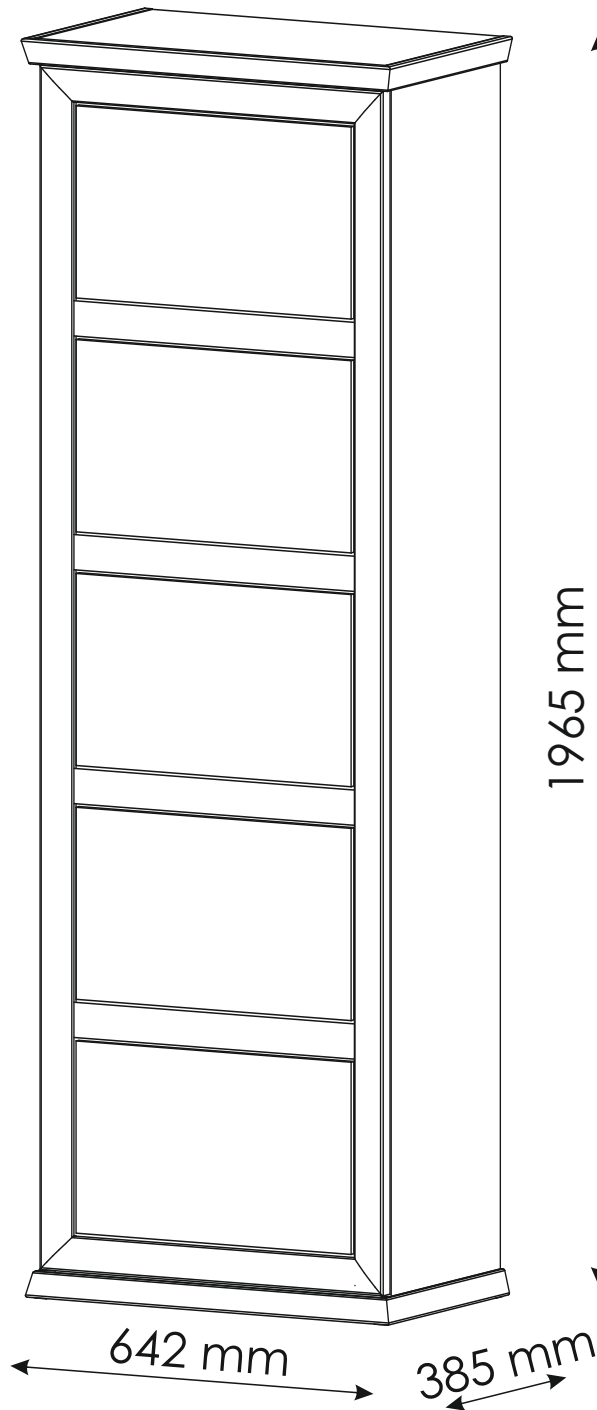
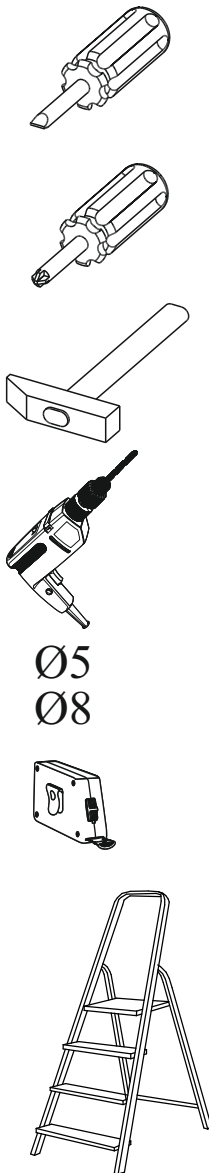
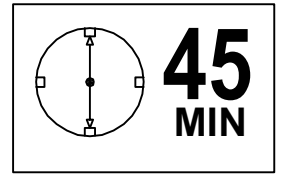
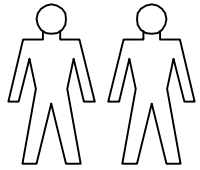
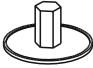


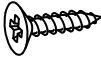

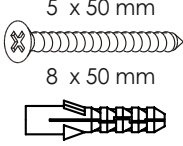


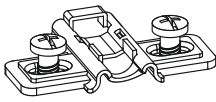
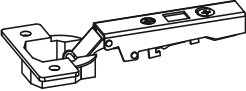

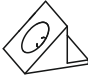
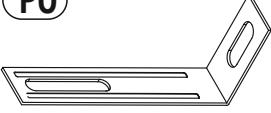
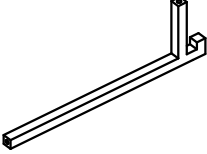

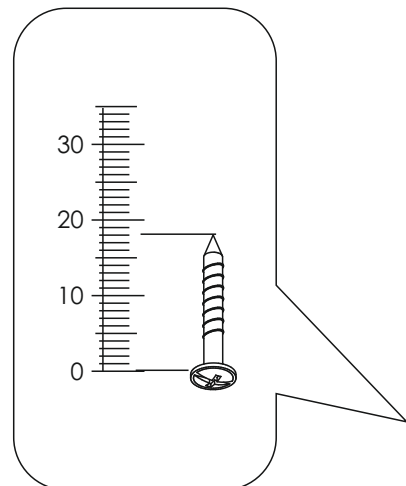
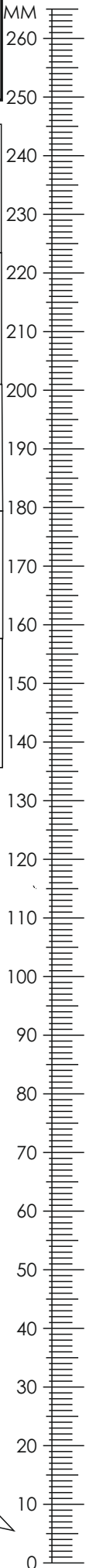


CAMRON- Garderobenschrank

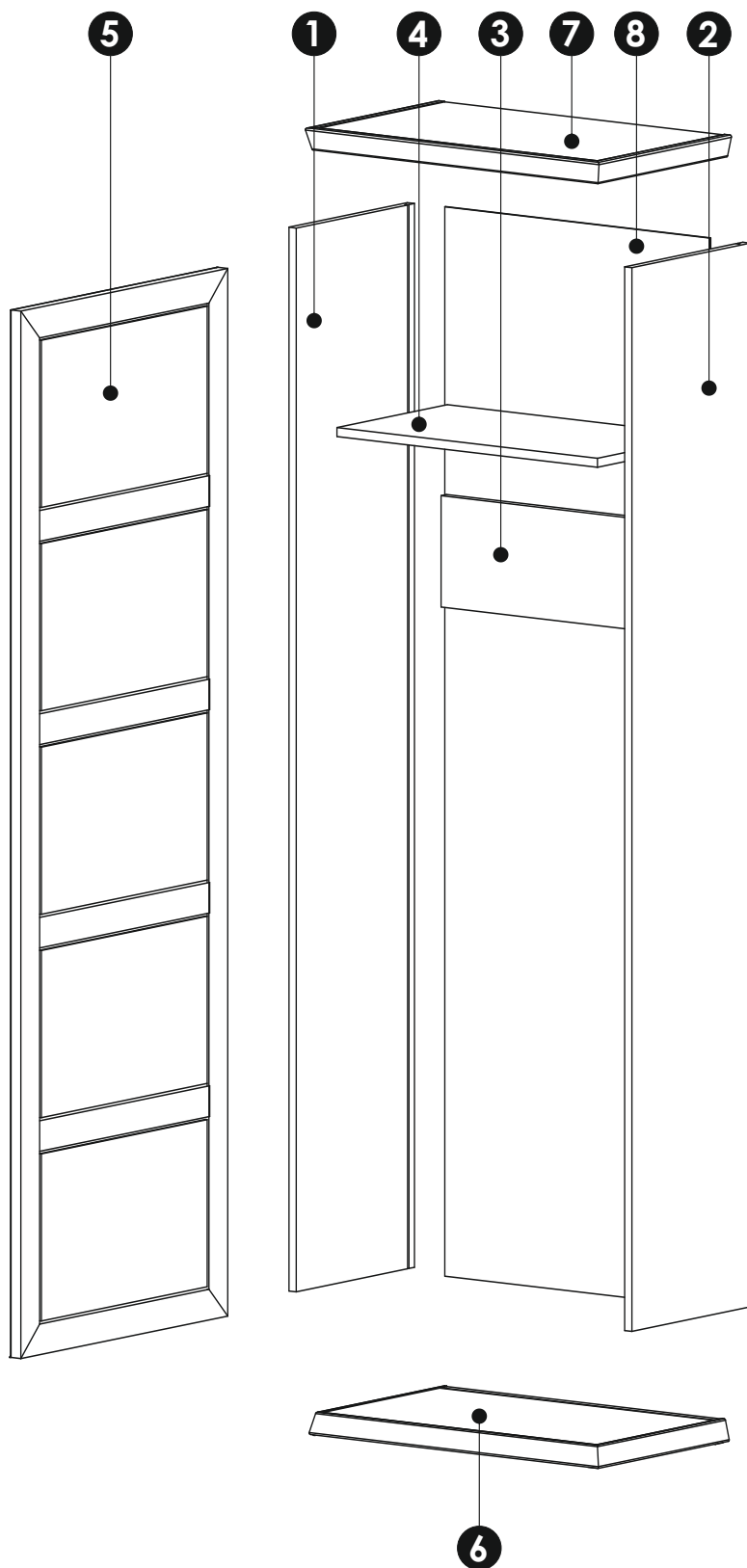



CAMRON- Garderobenschrank

C0  x12	C2  x14	D0 3 x 15 mm  x20
D10 4 x 16 mm  x8	D21 5 x 13 mm  x1	E0 5 x 50 mm 8 x 50 mm  x1
H2 4 x 22 mm  x2	H6 4 x 22 mm  x2	J3  x4
J10  x4	L6  x1	M1  x20
P0  x1	P17  x1	U2  x4



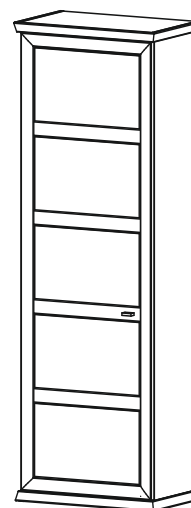
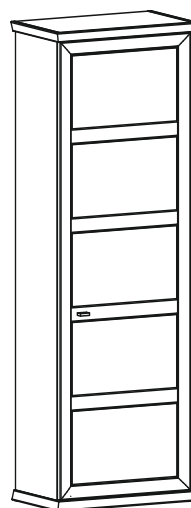
CAMRON- Garderobenschrank

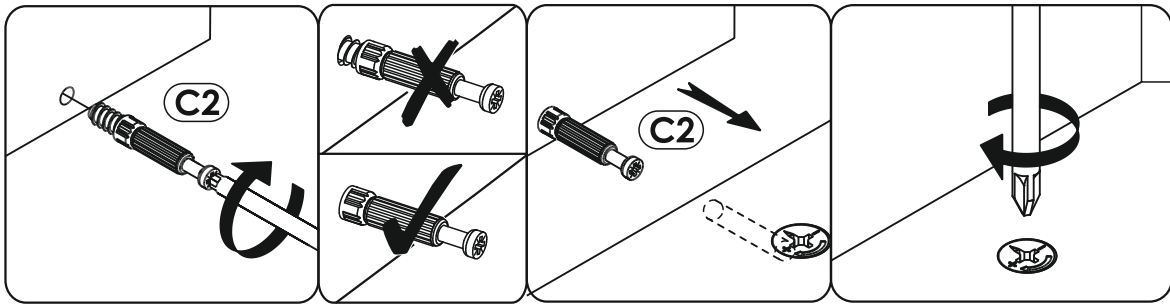


1	1909	348	16	x1	1/4
2	1909	348	16	x1	1/4
3	578	200	16	x1	1/4
4	578	325	16	x1	1/4
5	1880	606	25	x1	4/4
6	642	385	40	x1	3/4
7	642	385	40	x1	3/4
8	588	1919	2,8	x1	4/4
					2/4

R

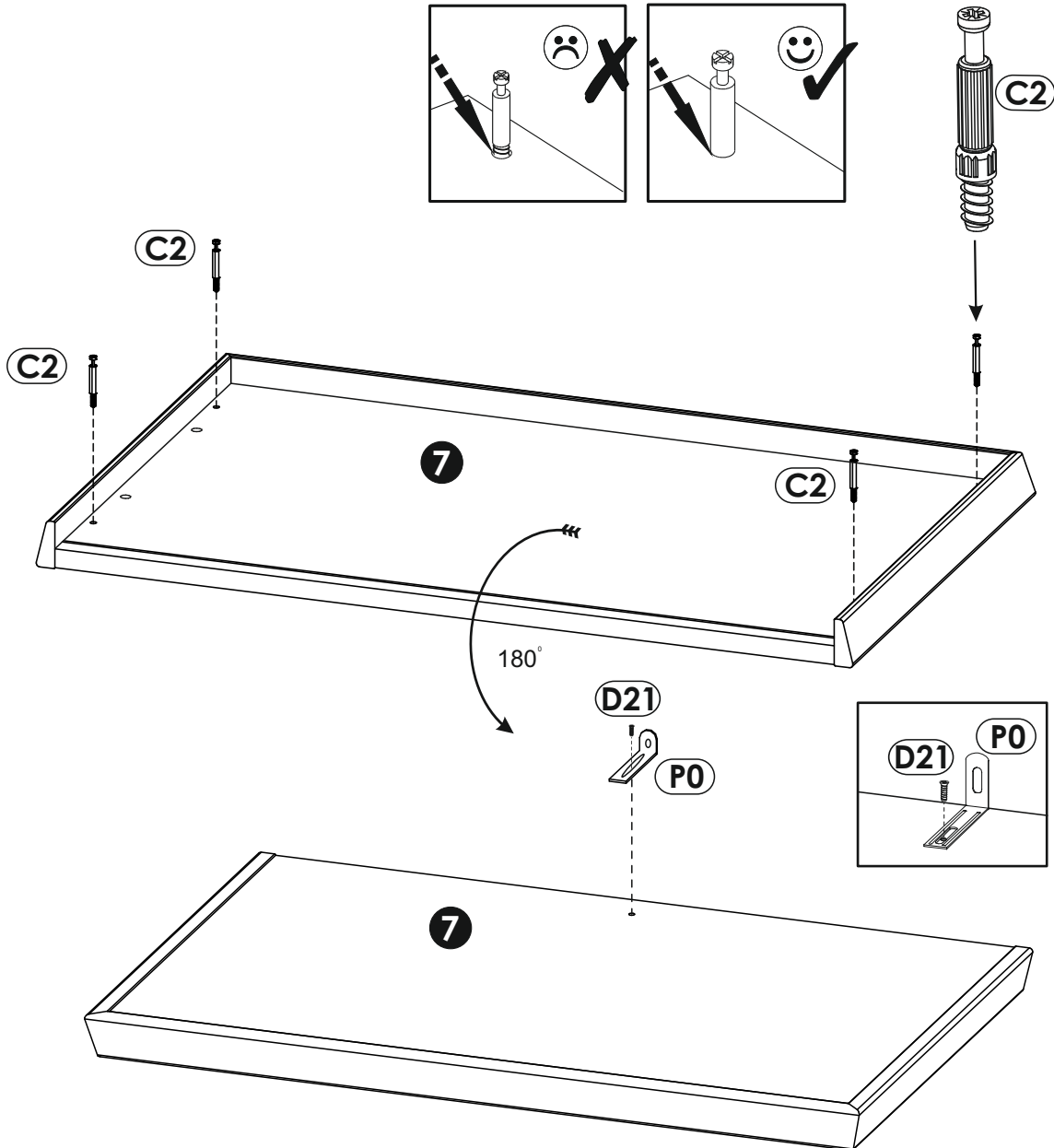
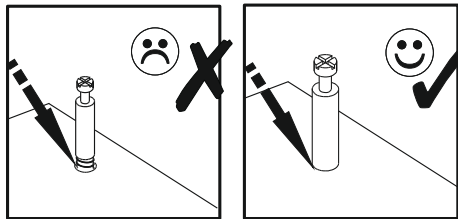
L



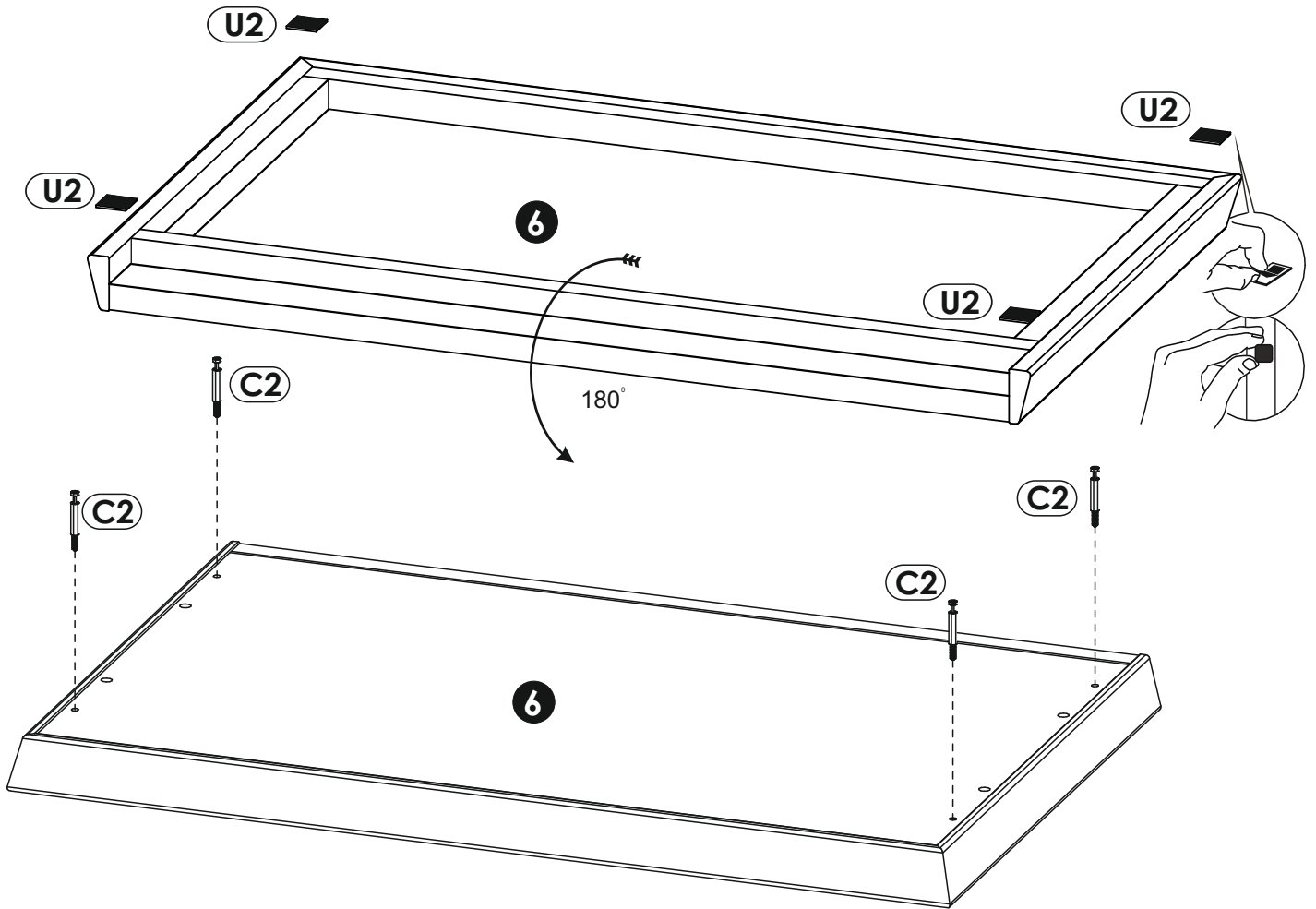
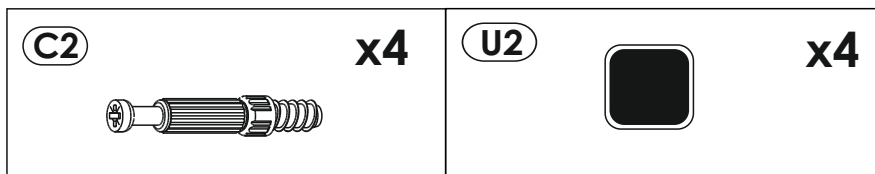


1 ▶

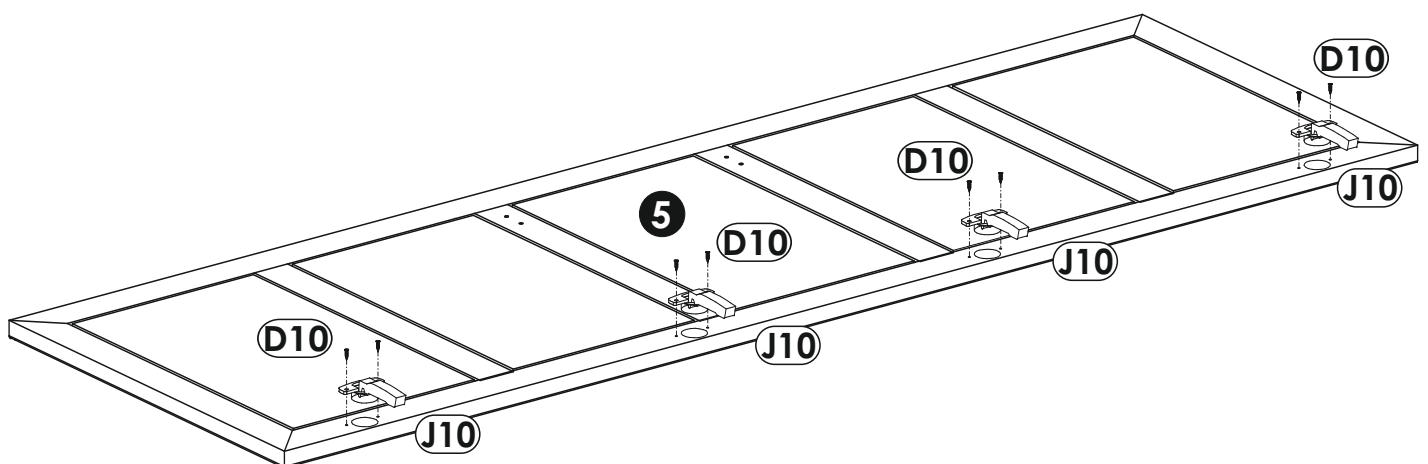
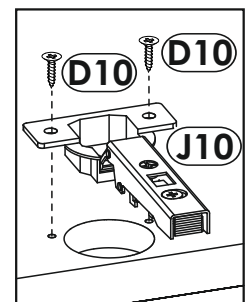
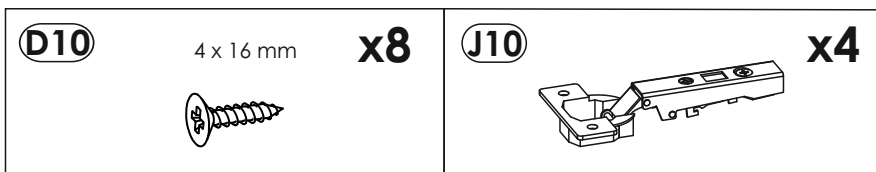
<p>C2</p>  <p>x4</p>	<p>D21</p> <p>5 x 13 mm</p>  <p>x1</p>	<p>P0</p>  <p>x1</p>
---	---	---



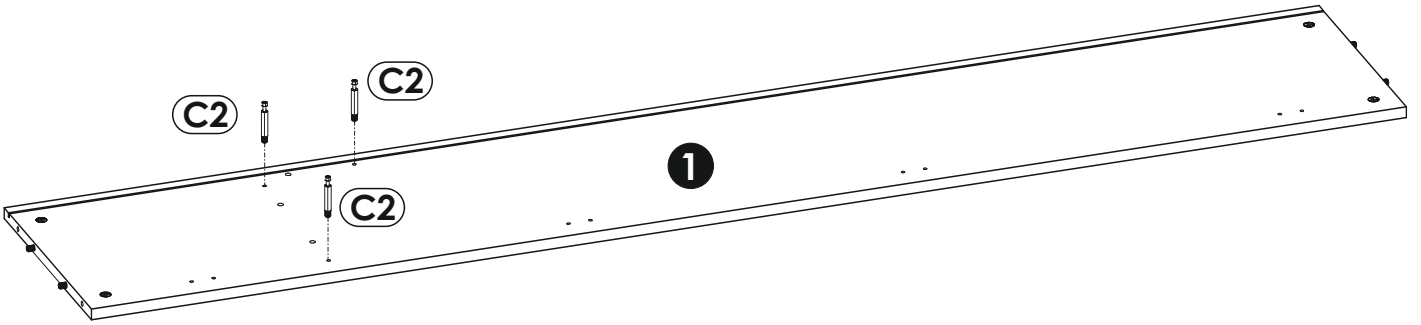
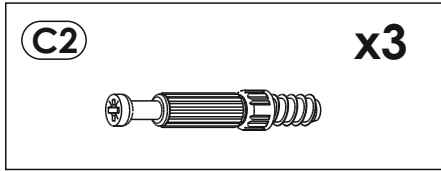
2 ▶



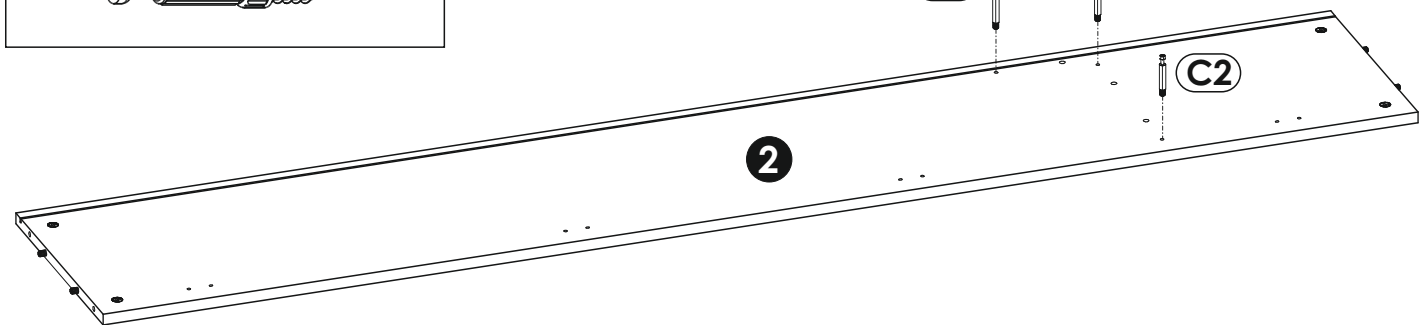
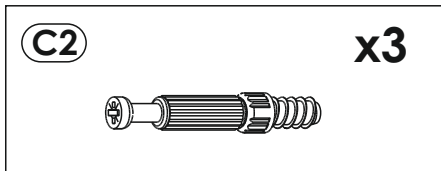
3 ▶



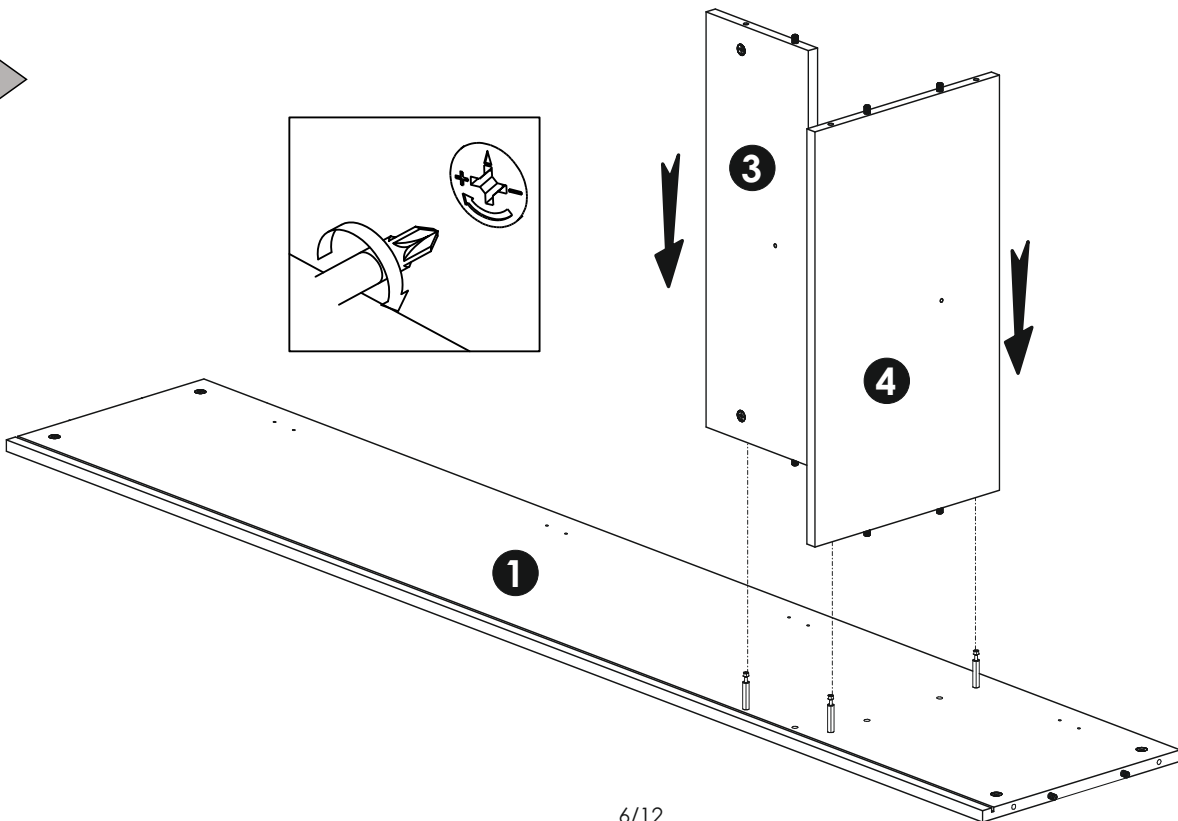
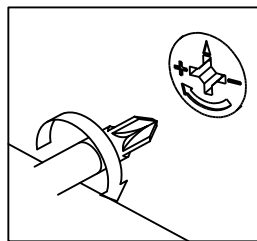
4 ▶



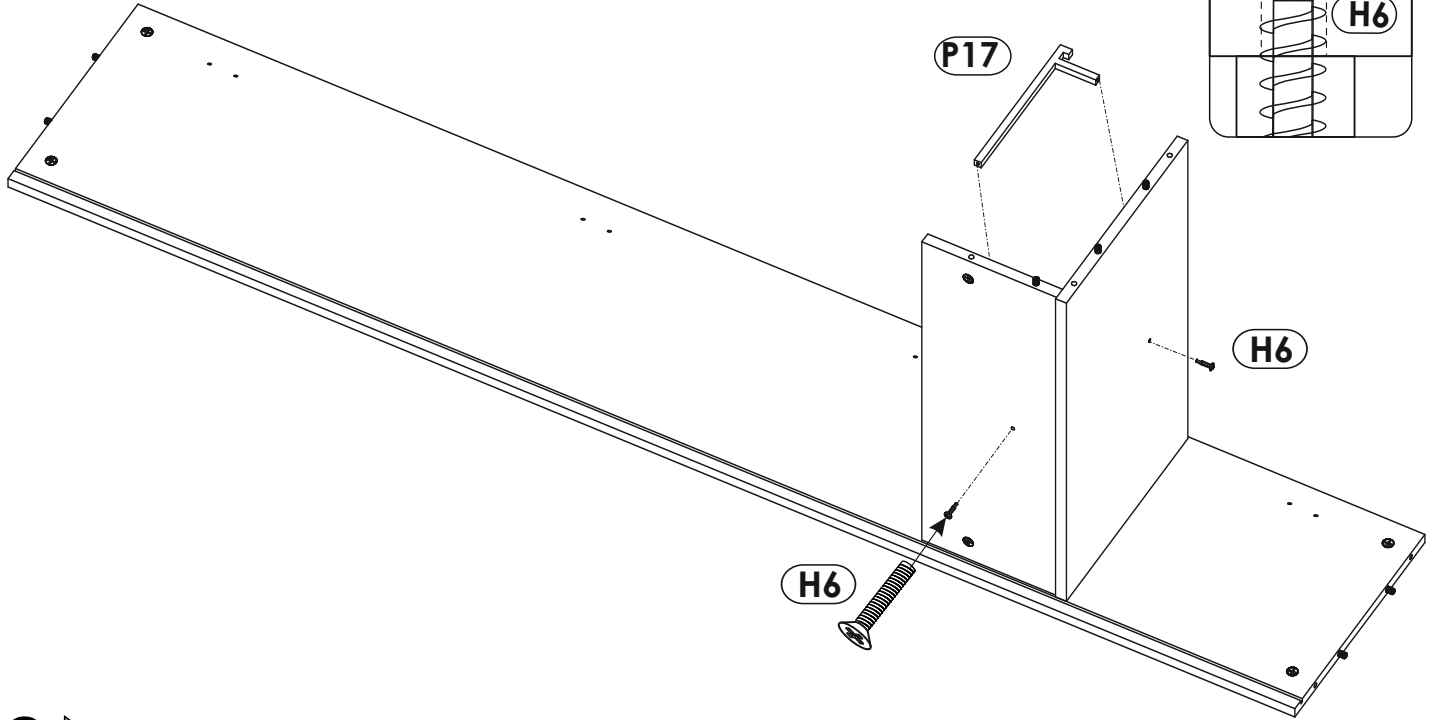
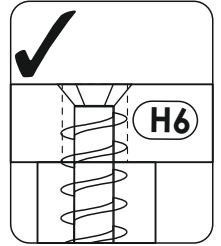
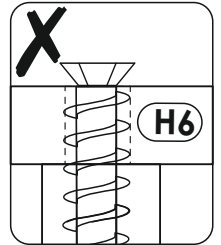
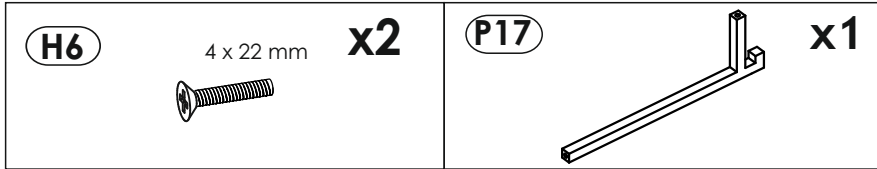
5 ▶



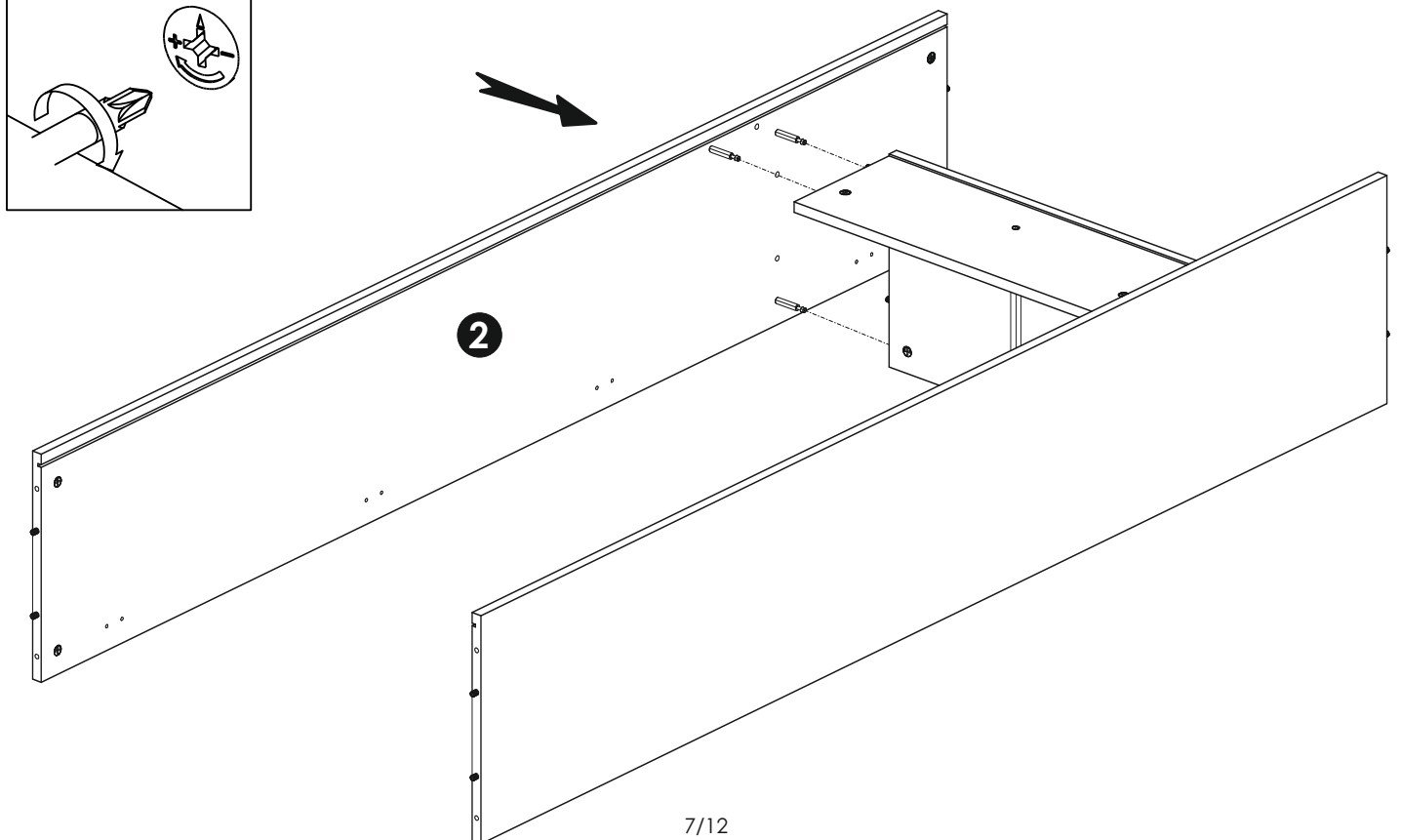
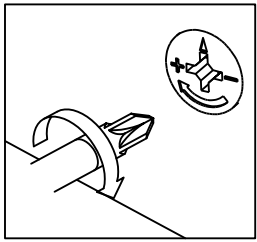
6 ▶



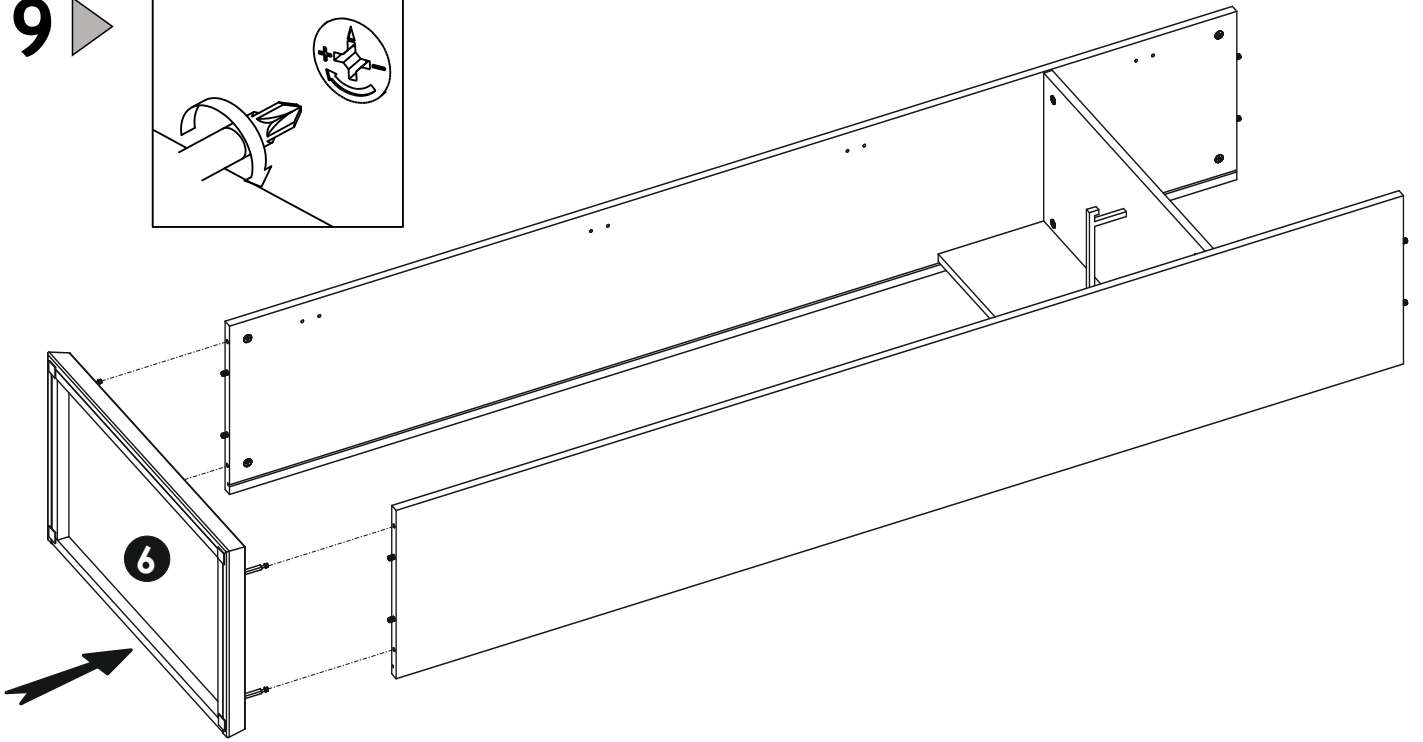
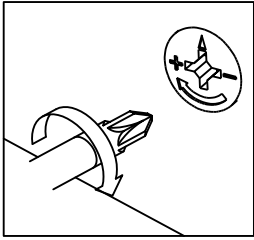
7 ▶



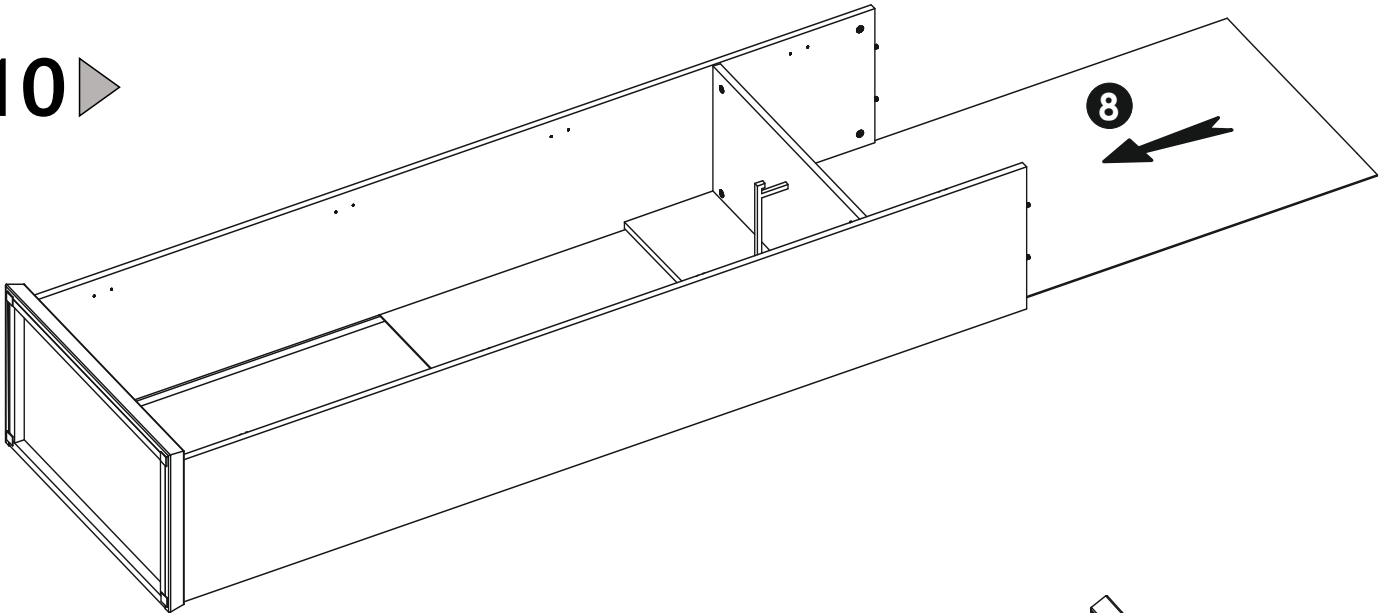
8 ▶



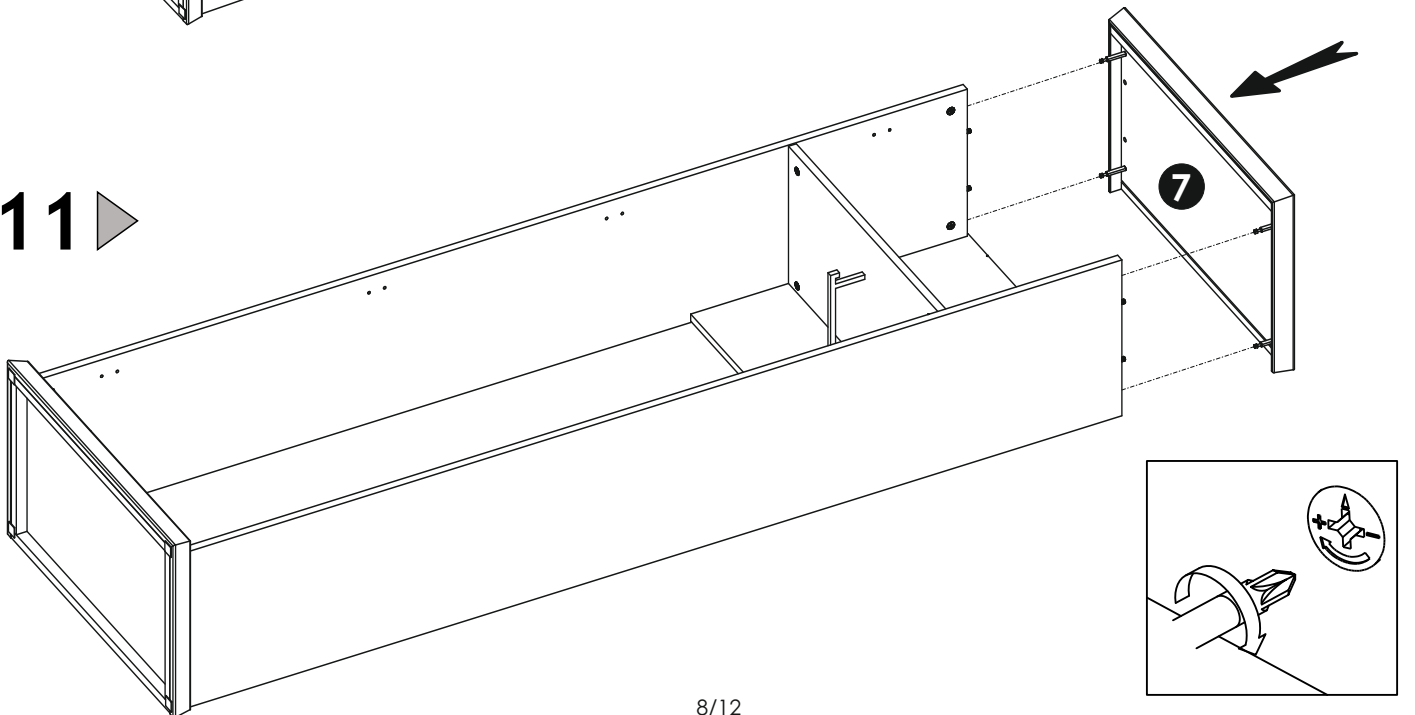
9 ▶




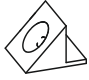
10 ▶




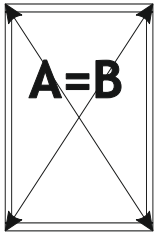
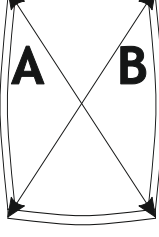
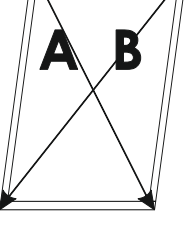


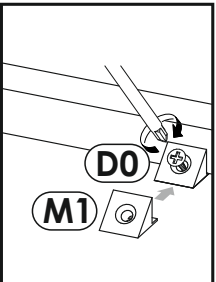
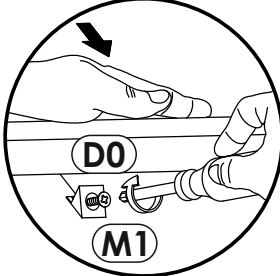
11 ▶

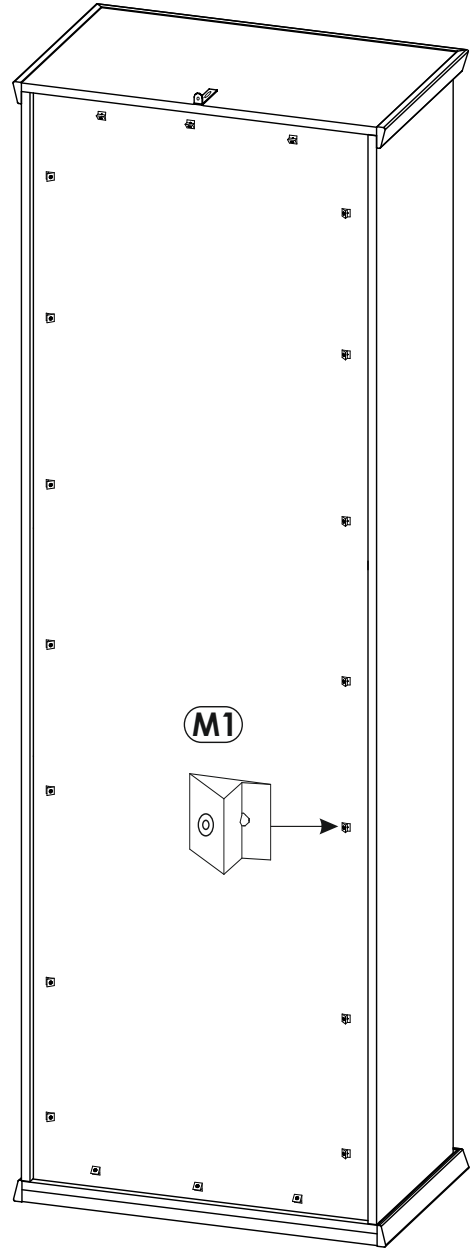


12 ▶

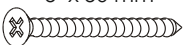

D0	3 x 15 mm	x20
		
M1		x20
		

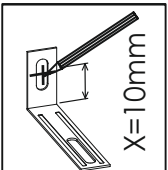
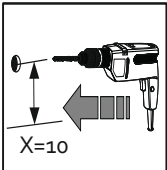
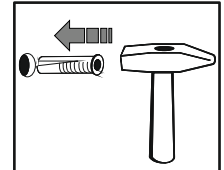
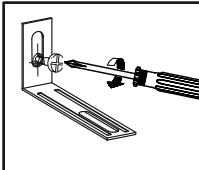
		
		

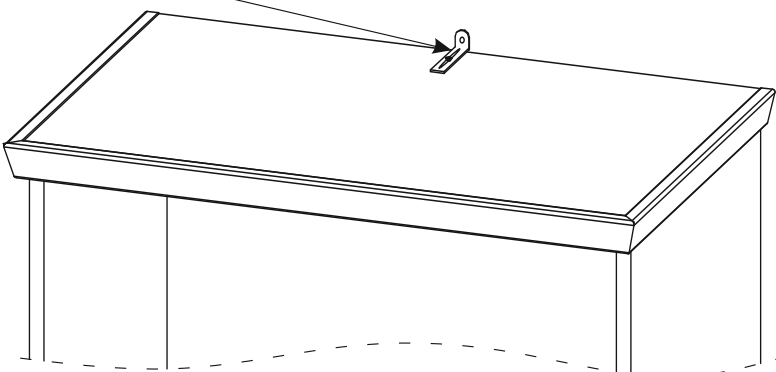
	
--	---




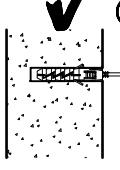
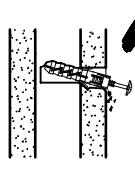
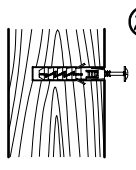




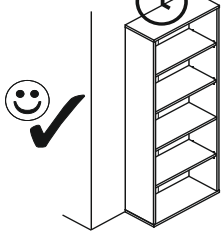
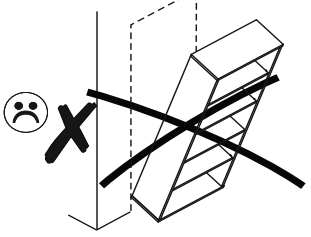
13 ▶

E0	5 x 50 mm	x1
		
8 x 50 mm		
		

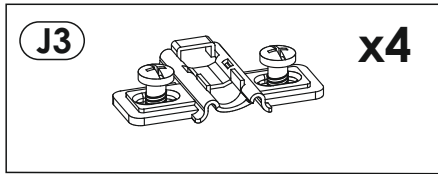
			
--	---	---	---



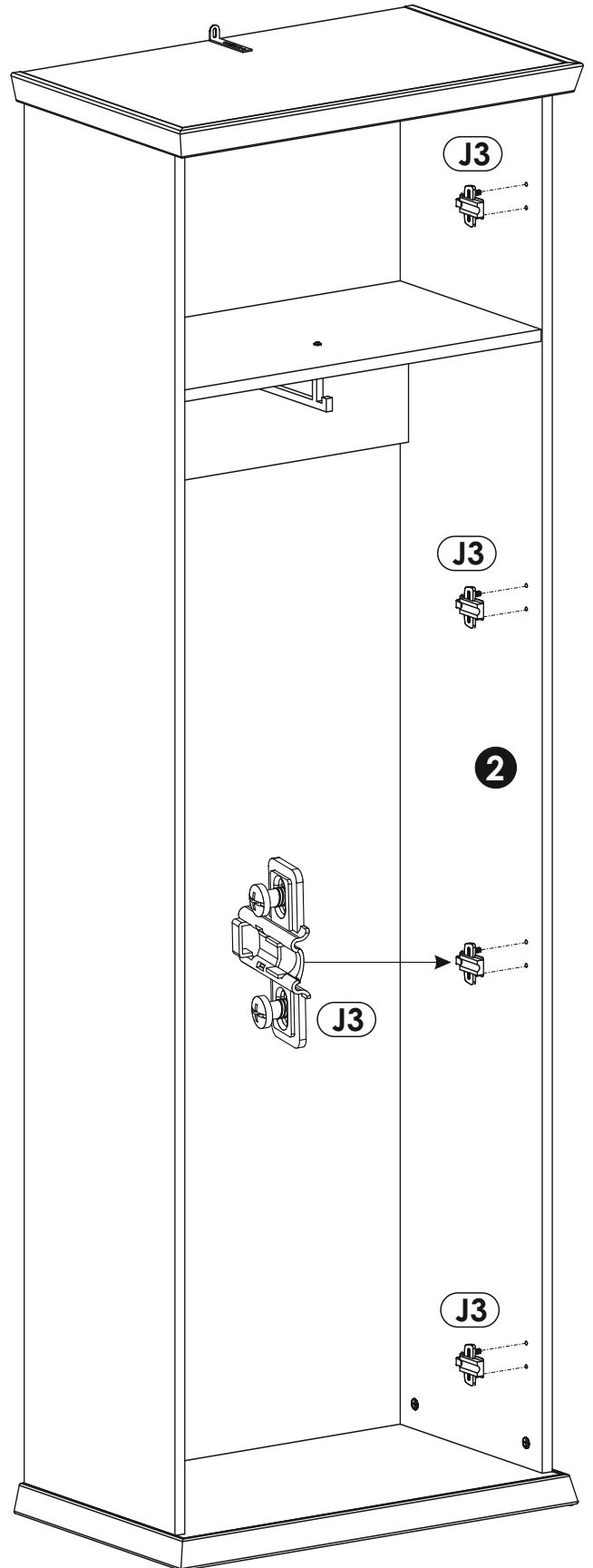
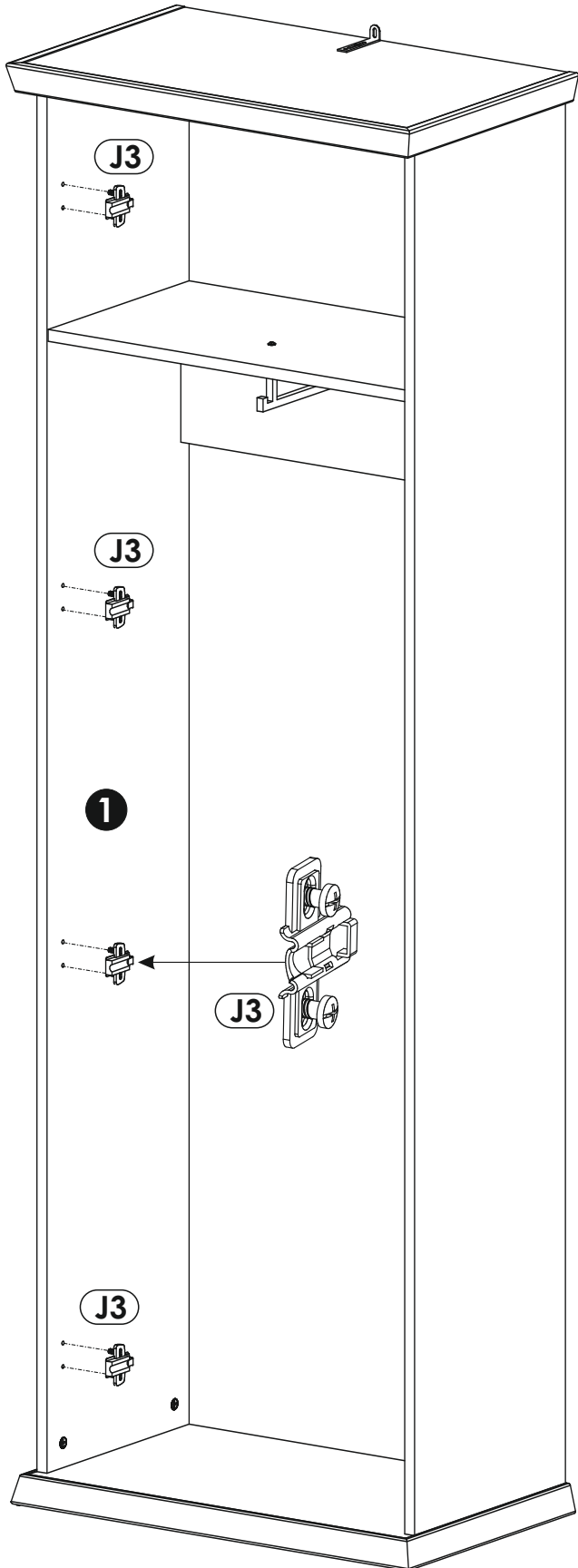
	
	

14 ▶



L

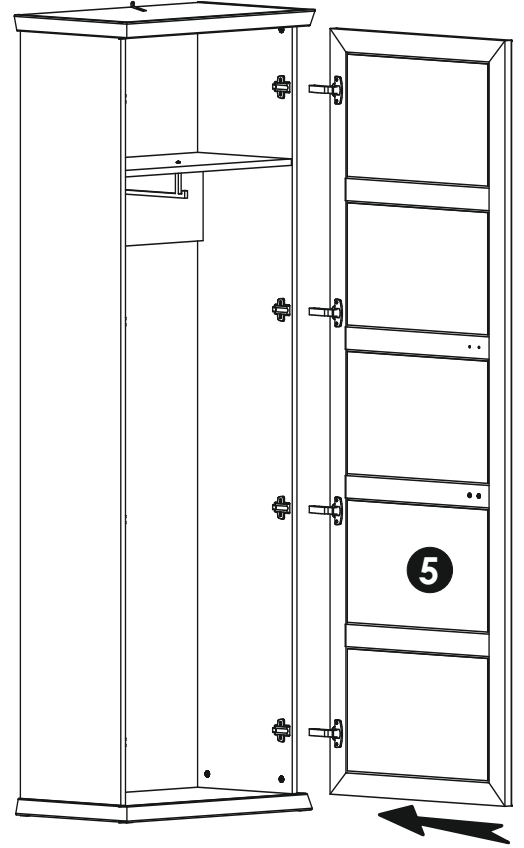
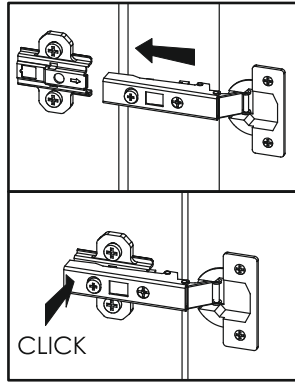
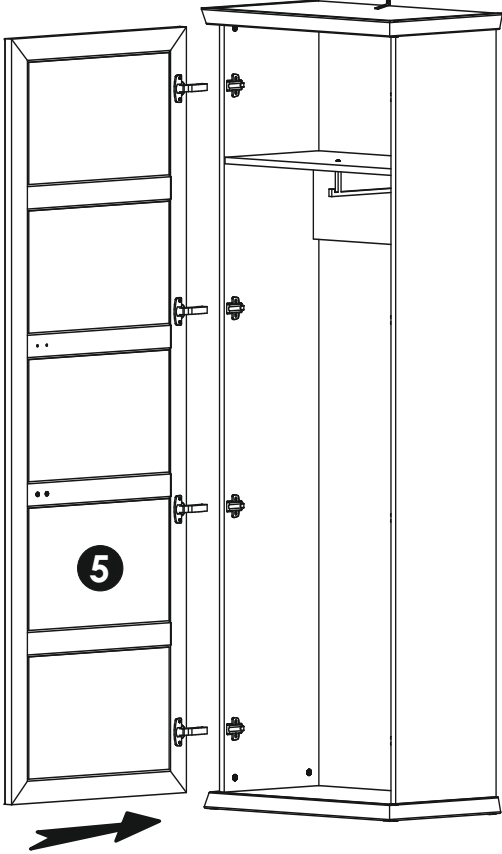
R



15 ▶

L

R



16 ▶

H2

4 x 22 mm

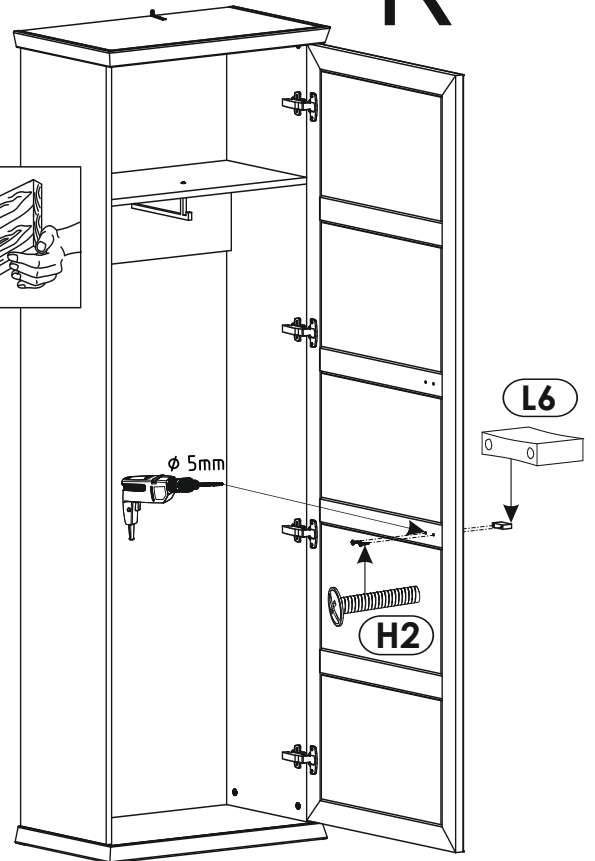
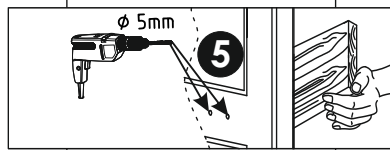
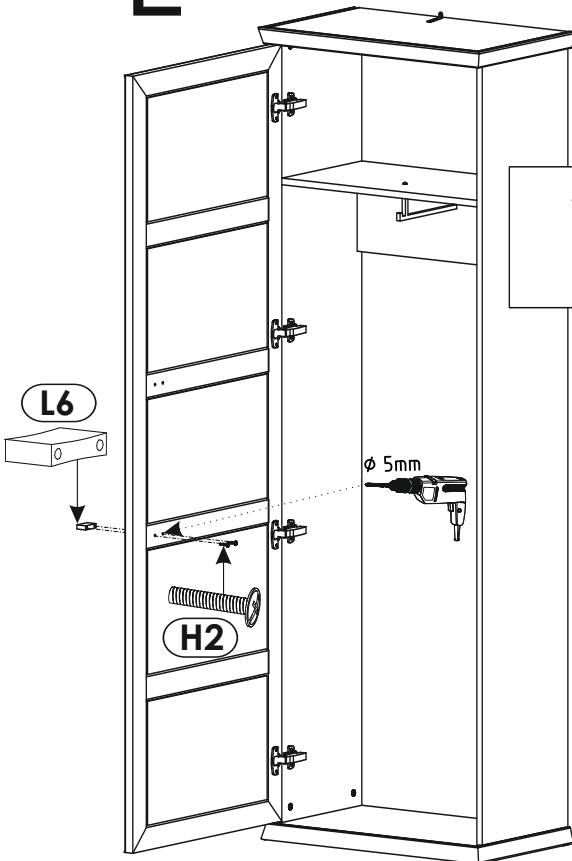
x2

L6

x1

L

R



17 ▶

