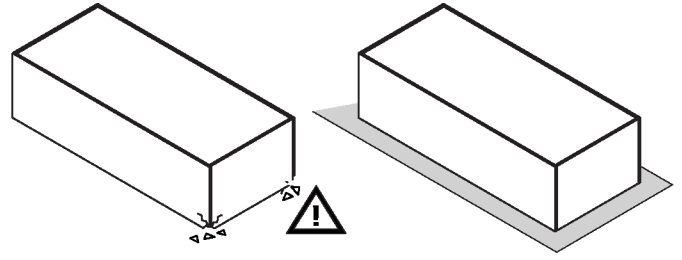
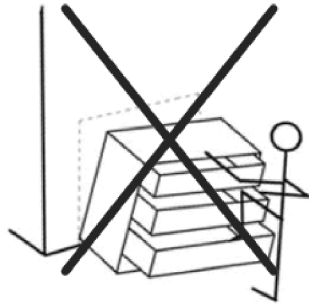
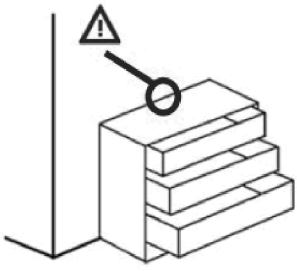
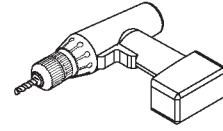
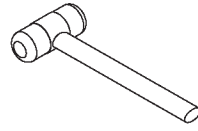
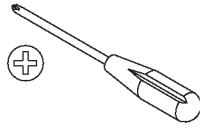


1,5h



**BU3138**



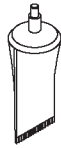
**H54**  
x2



**V5**  
x25



**V13**  
x16



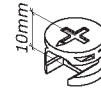
**H14**  
x2



**H113**  
x8



**T28**  
x16



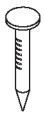
**T98**  
x8



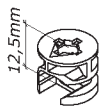
**G136**  
x8



**H2**  
x9



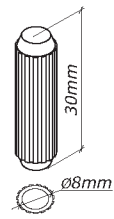
**H15**  
x8



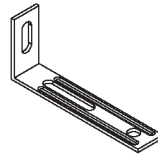
**T7**  
x8



**G57**  
x2



**H1**  
x8



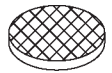
**H185**  
x1



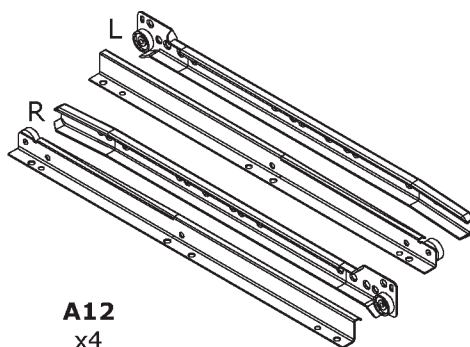
**H129**  
x2



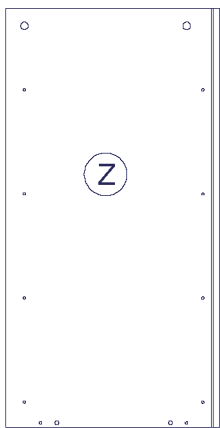
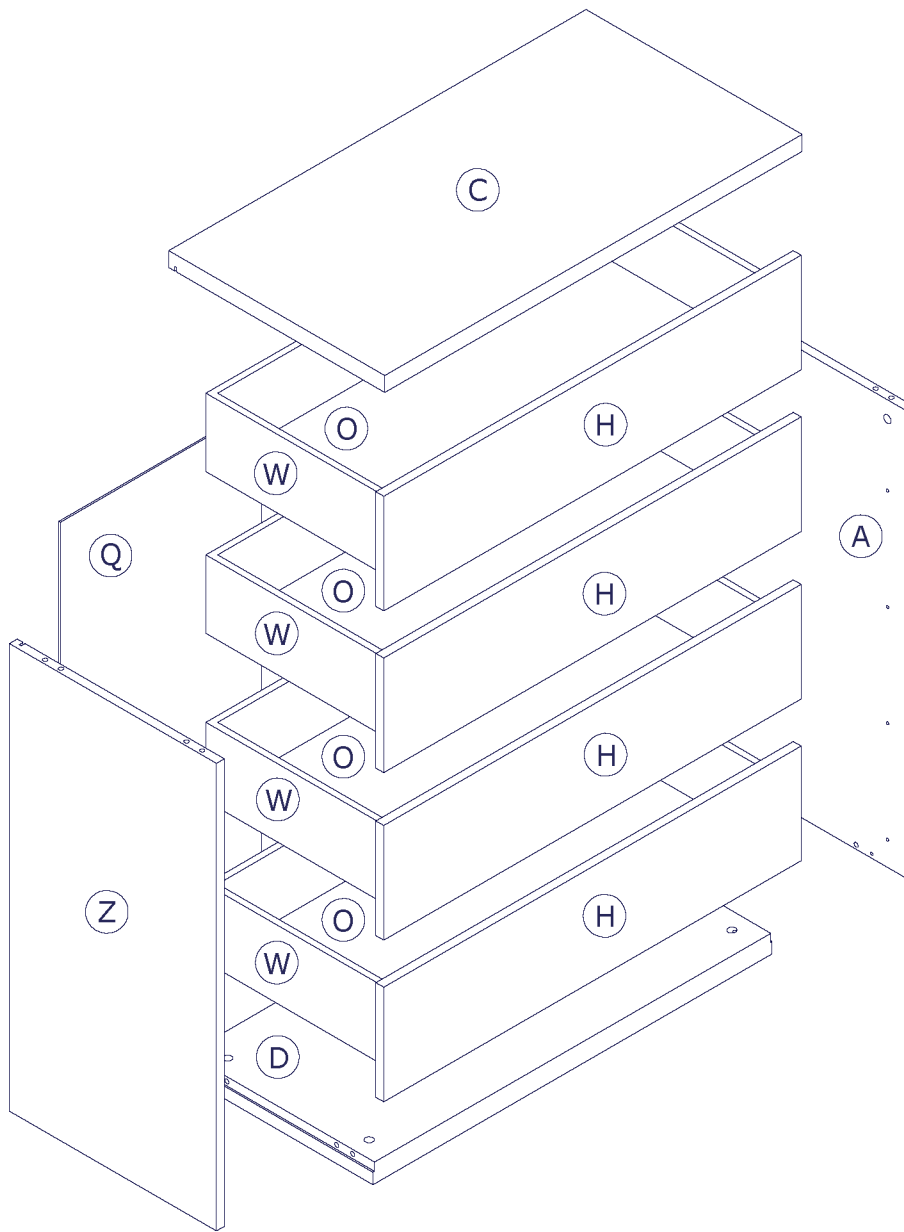
**V81**  
x2



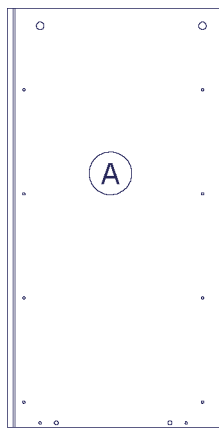
**H139**  
x4



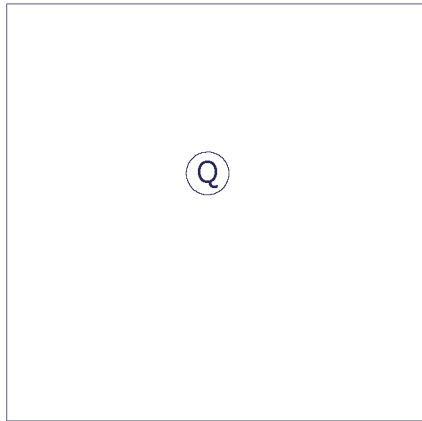
**A12**  
x4



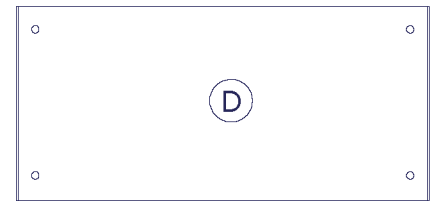
• **FI7088**  
824x422x16mm



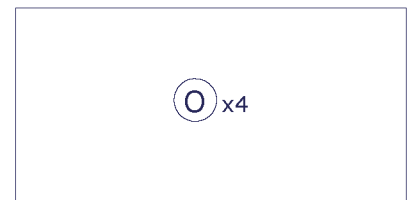
• **FI7086**  
824x422x16mm



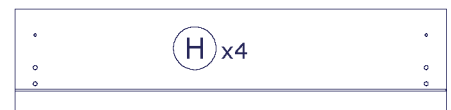
• **SH2635**  
830x821x3mm



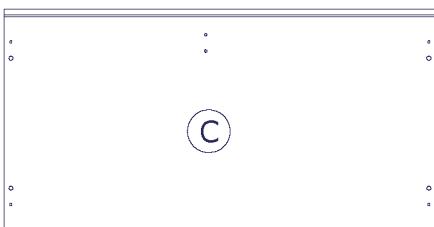
• **BA1760**  
813x382x38mm



• **SH2634**  
770x381x3mm



• **CS2352**  
850x202x16mm

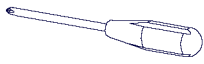


• **CA2894**  
850x440x30mm

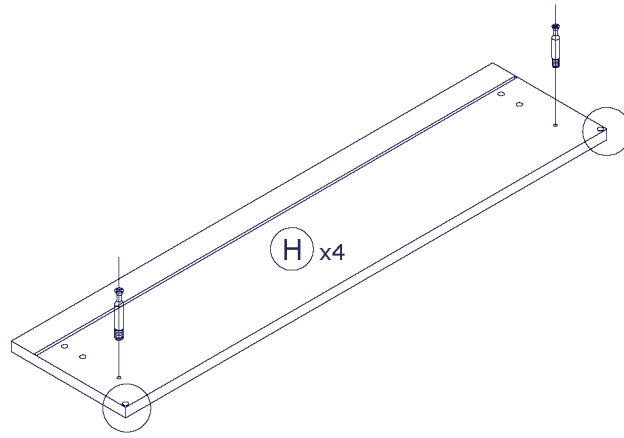
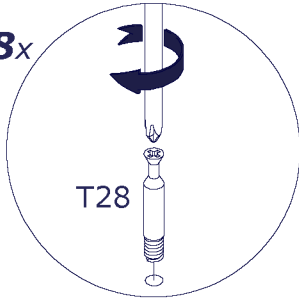


• **OF0308**  
380x783x380mm H.138mm

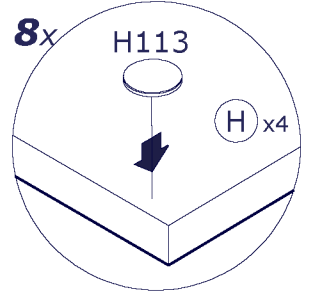
1



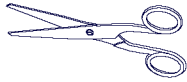
8x



8x

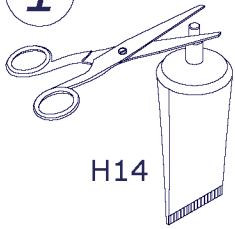


2

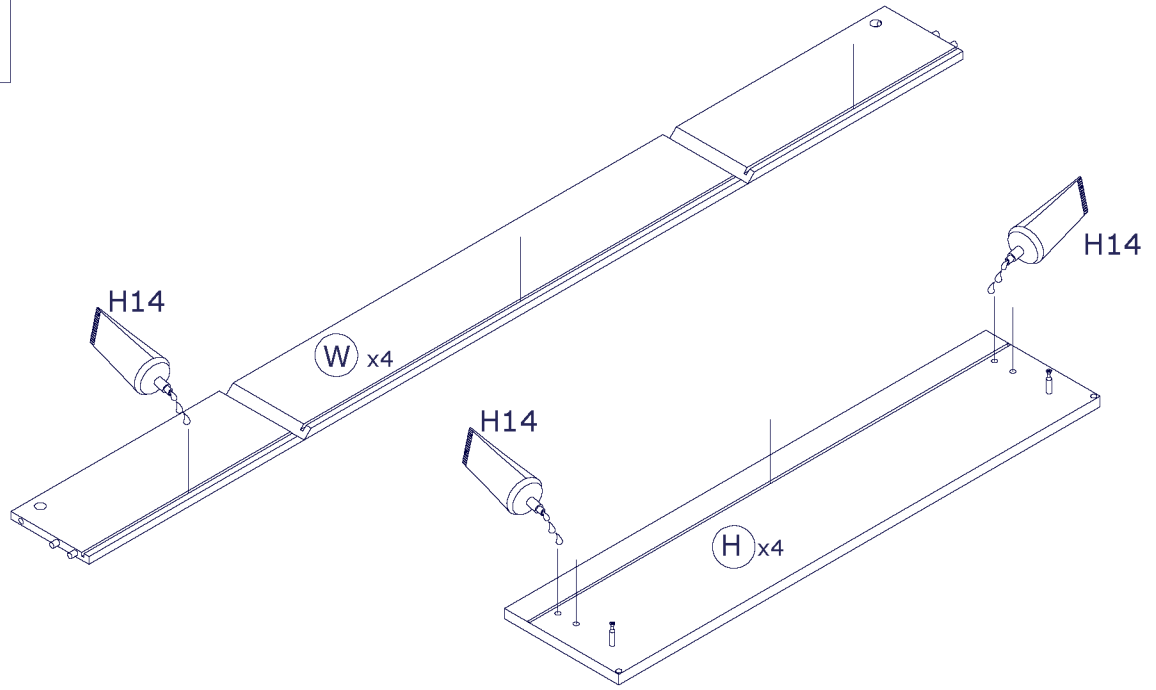
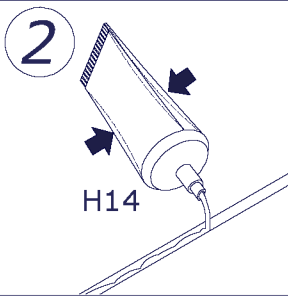


2x

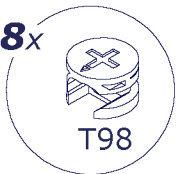
1



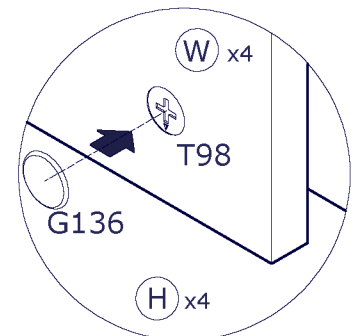
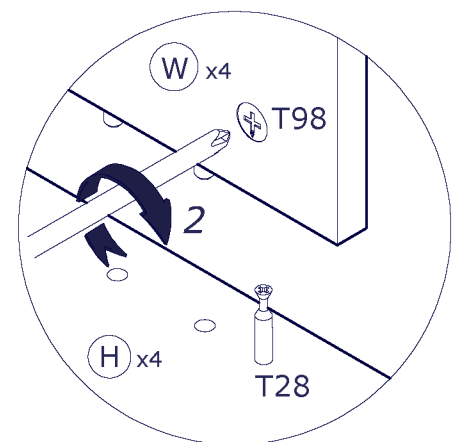
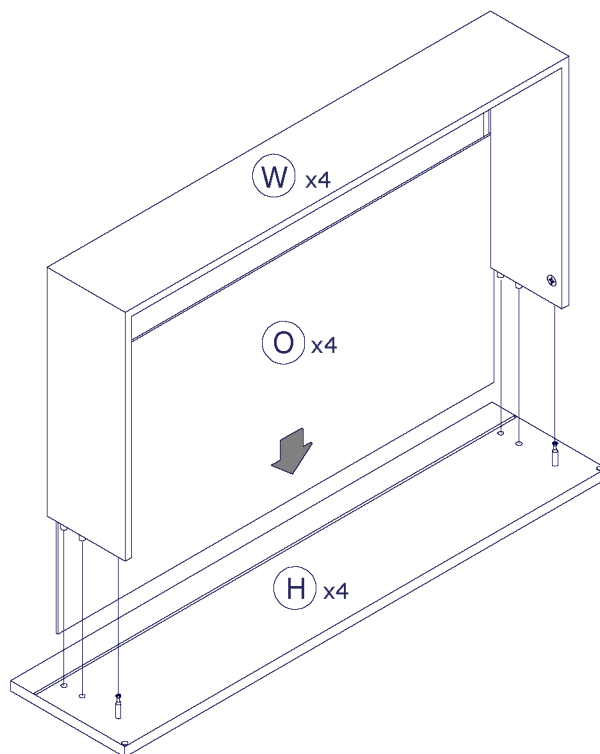
2



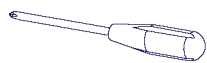
8x



8x

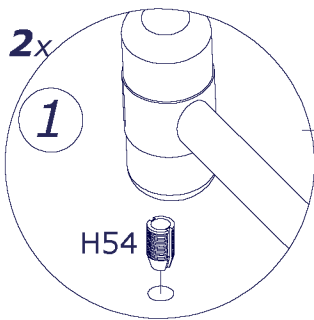


3

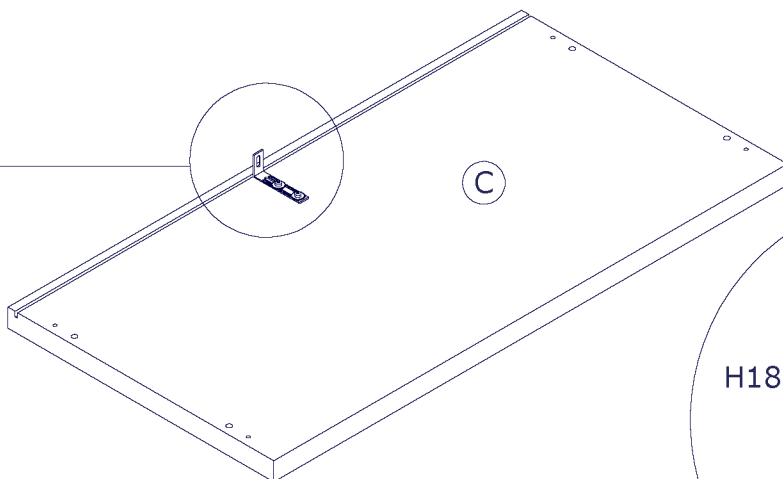


2x

1



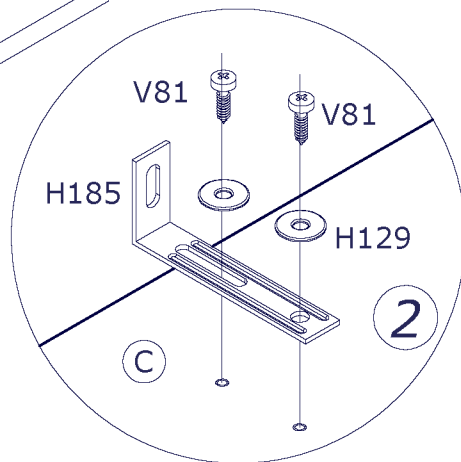
H54



NO

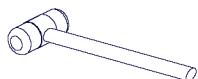
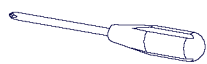


OK

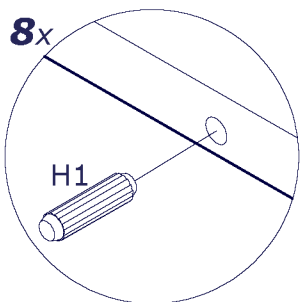


2

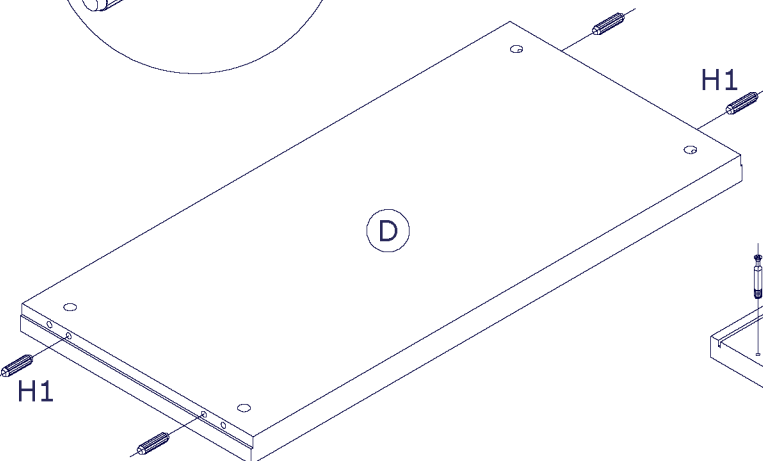
4



8x



H1



H1

H1

H1

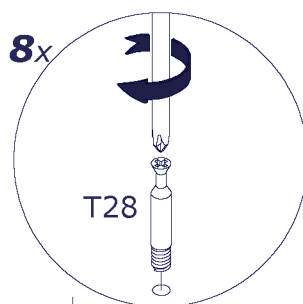
T28

T28

T28

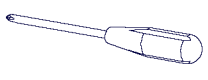
T28

8x



T28

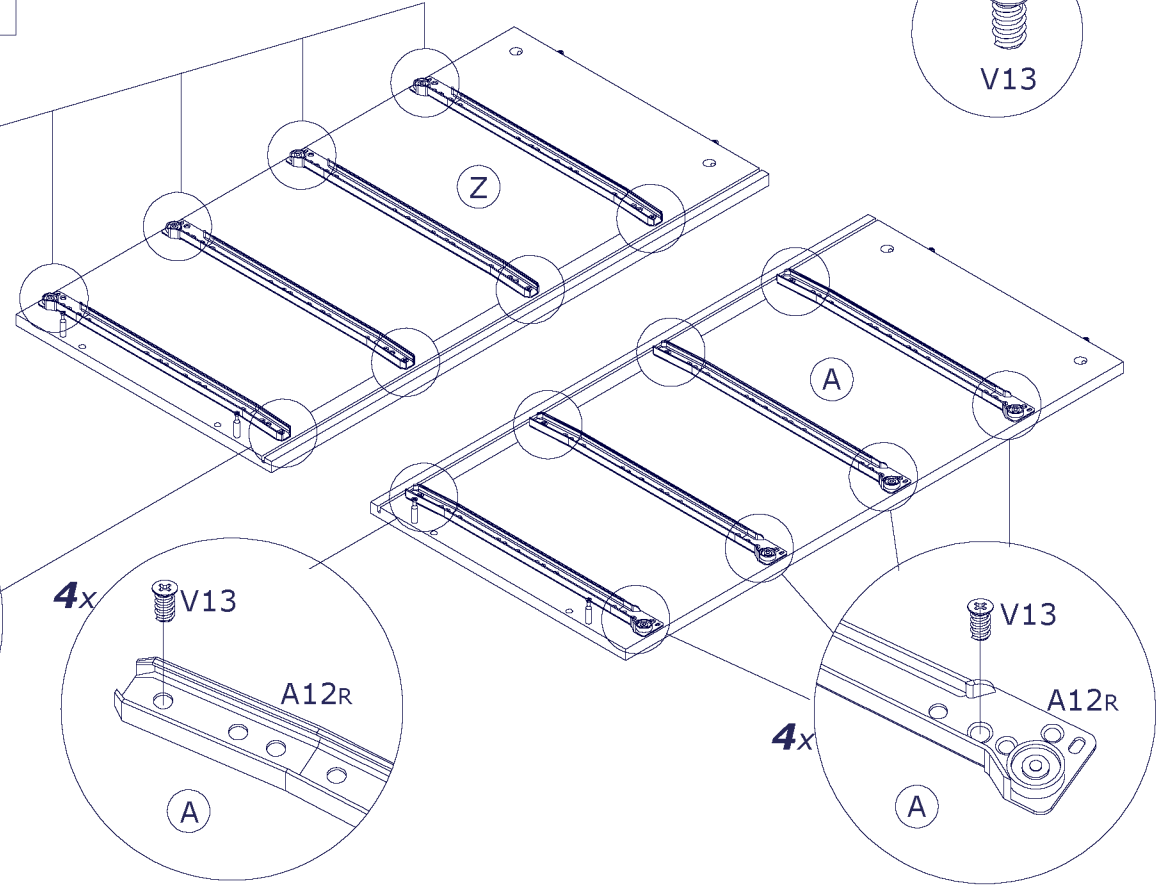
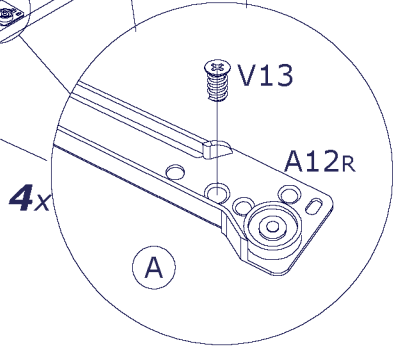
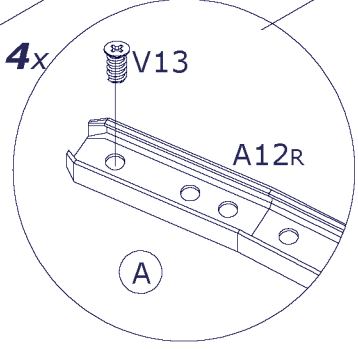
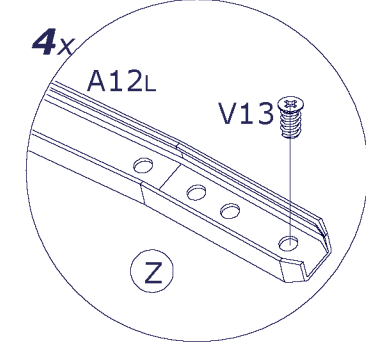
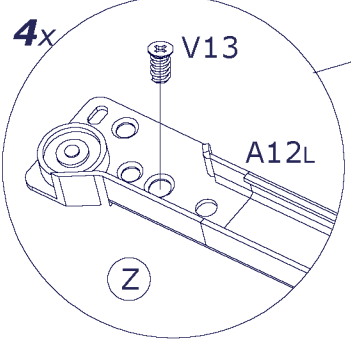
5



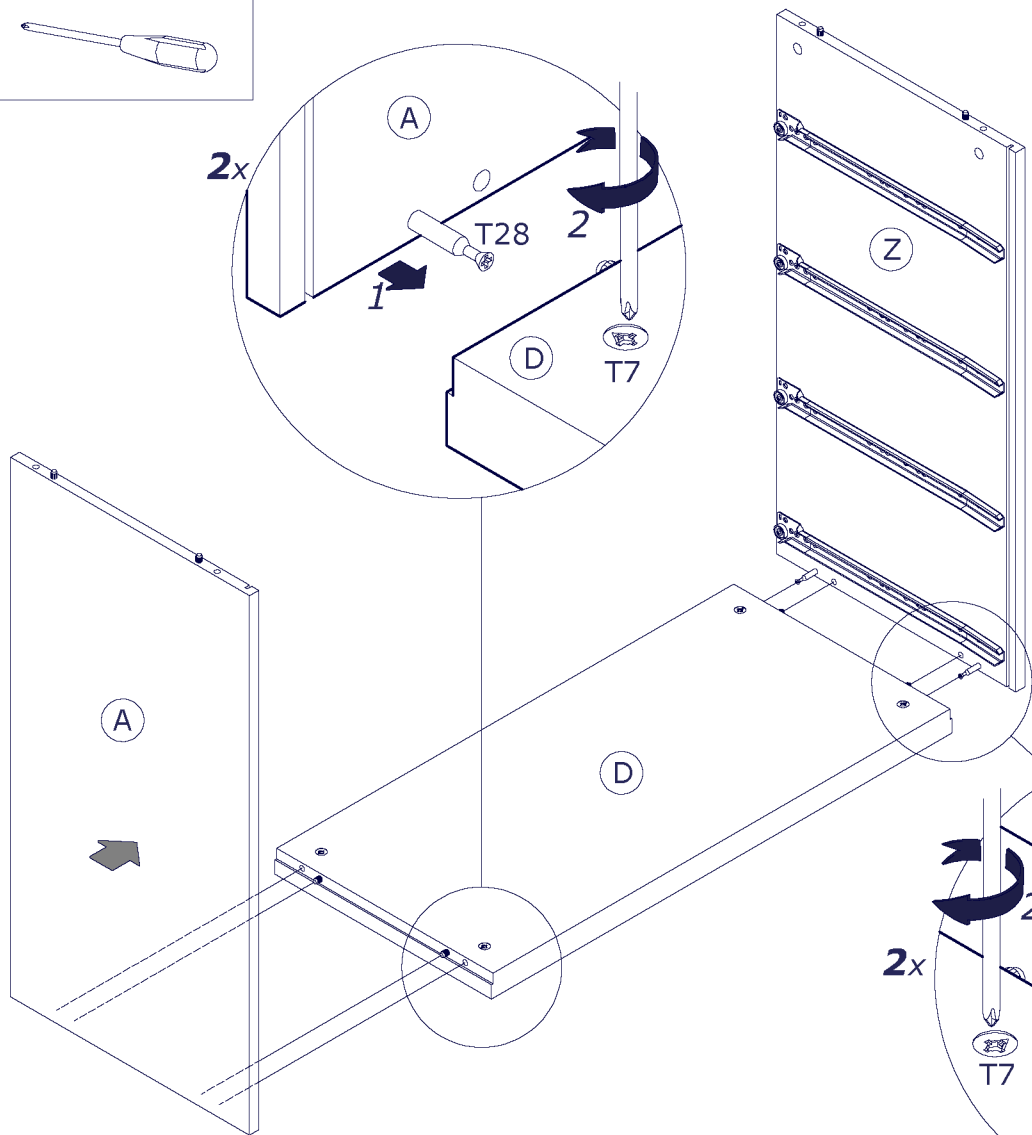
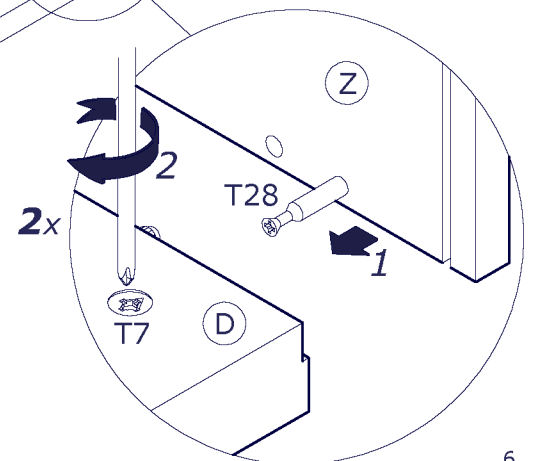
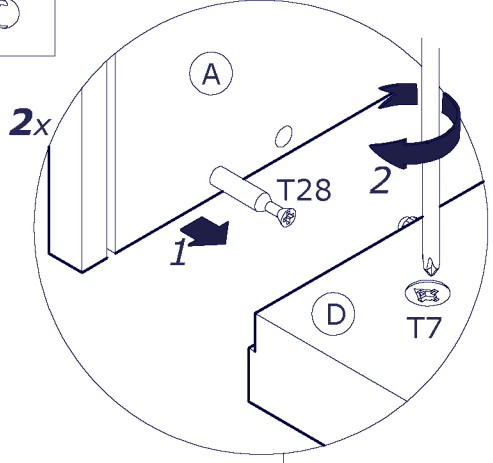
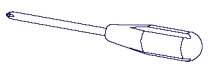
16x



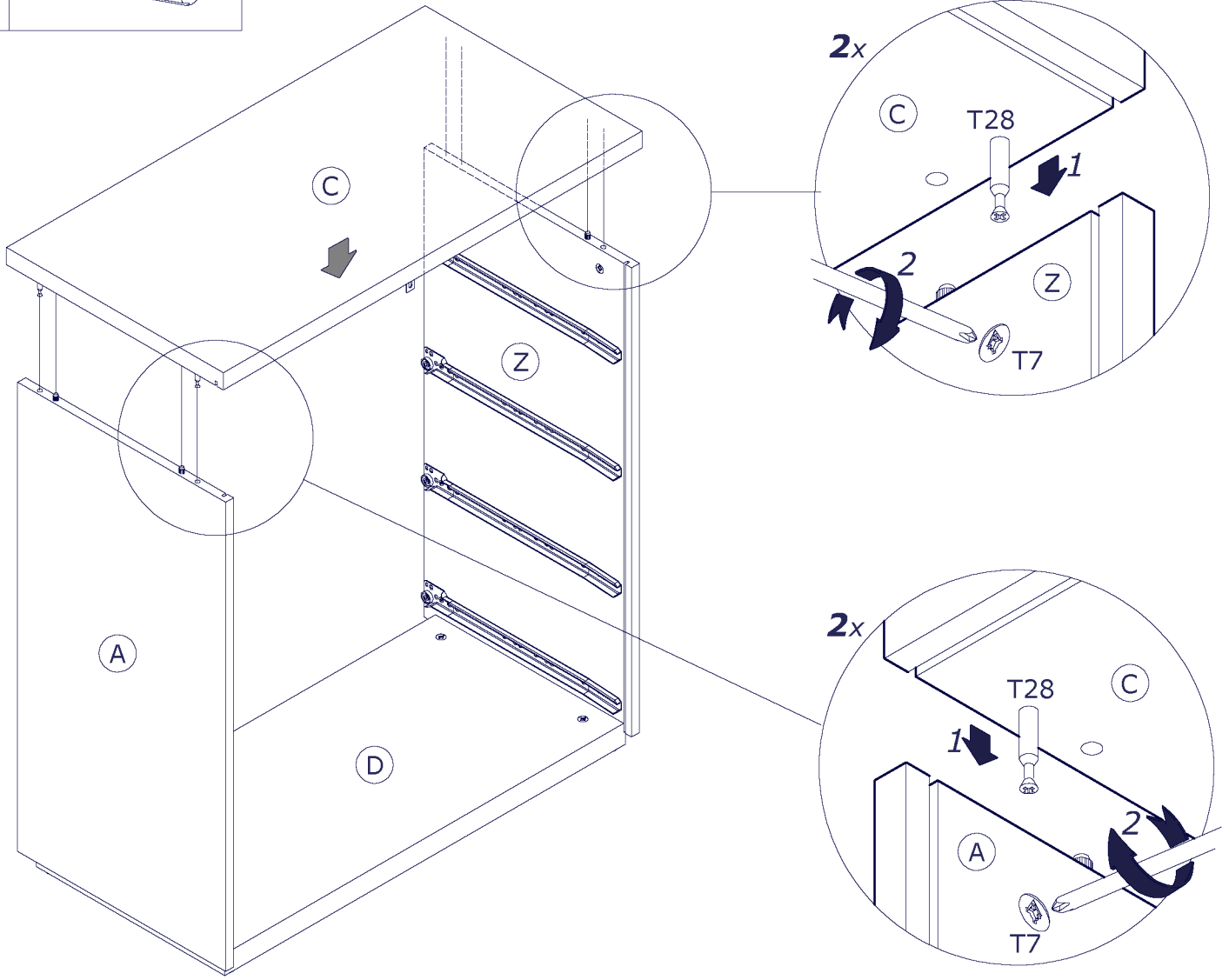
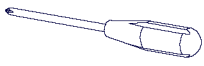
V13



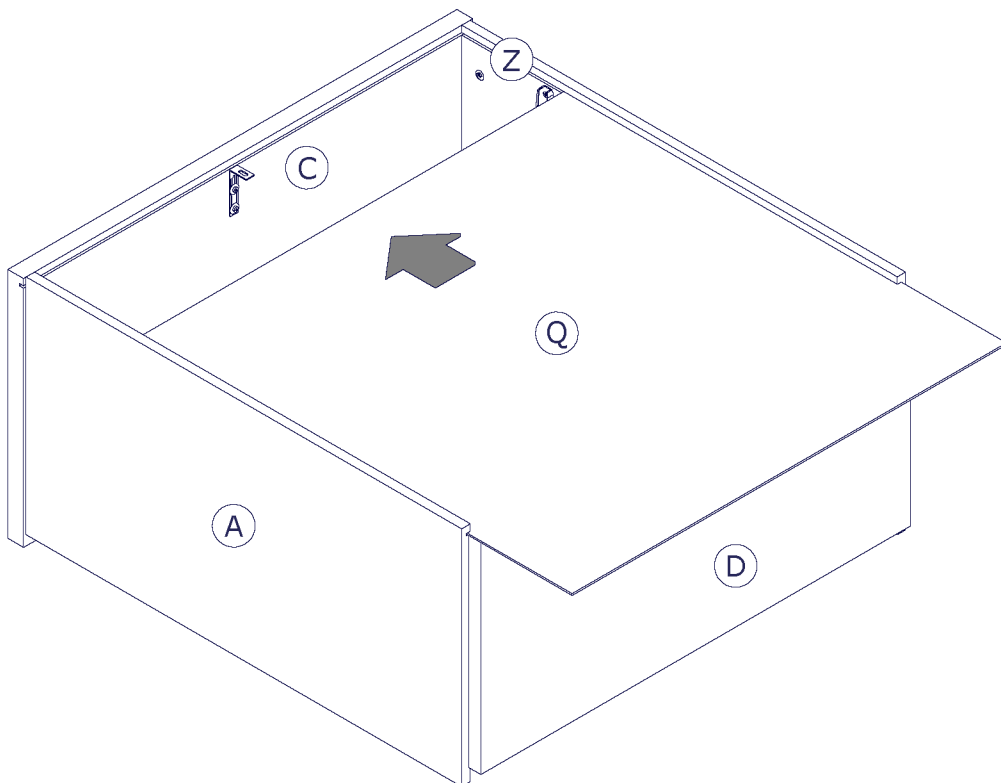
6



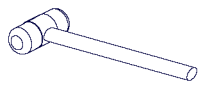
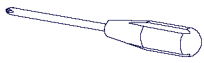
7



8



9



8x



H15

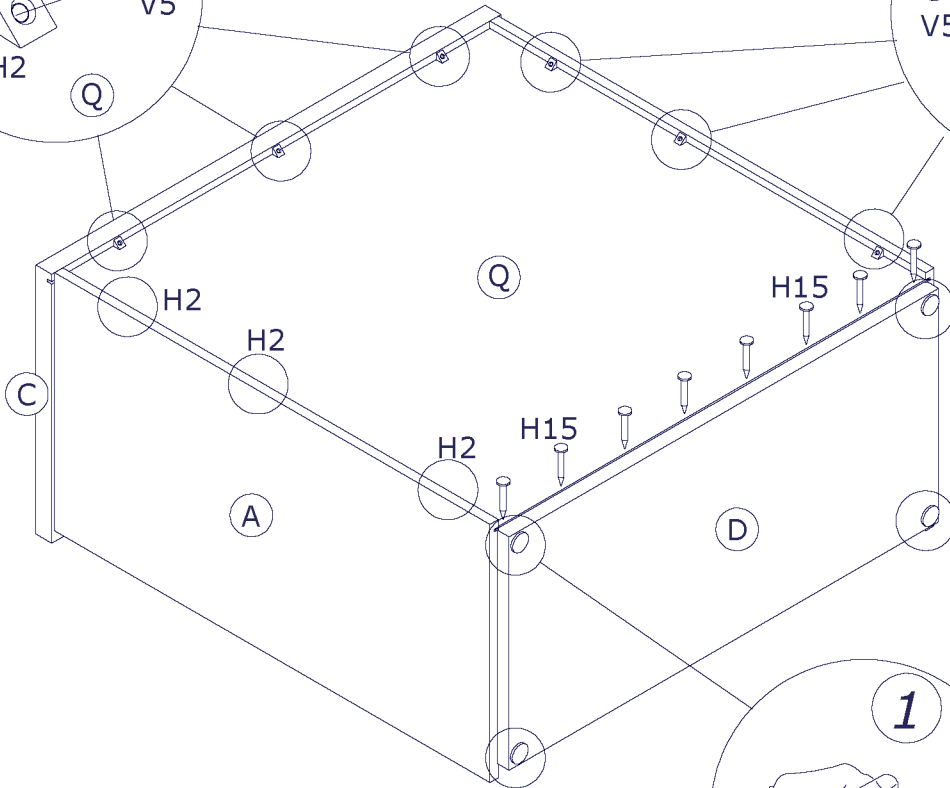
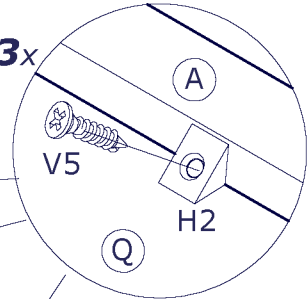
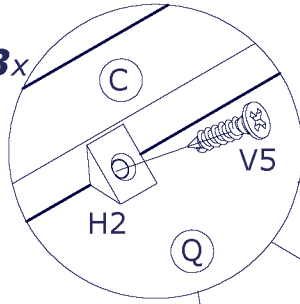
9x



V5

3x

3x



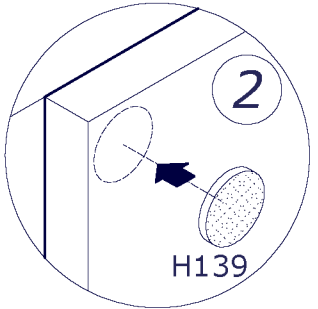
1

4x



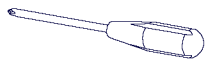
H139

2



H139

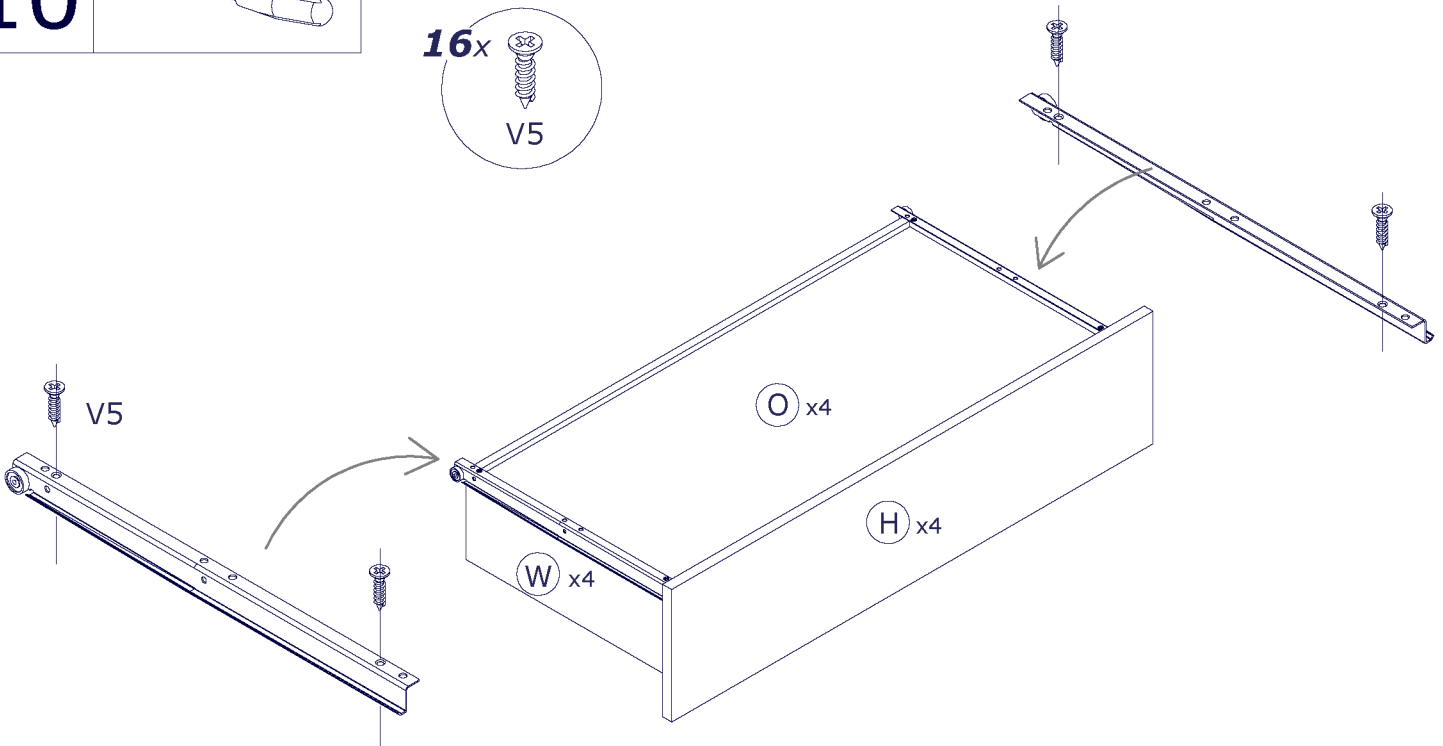
10



16x



V5





# 11

