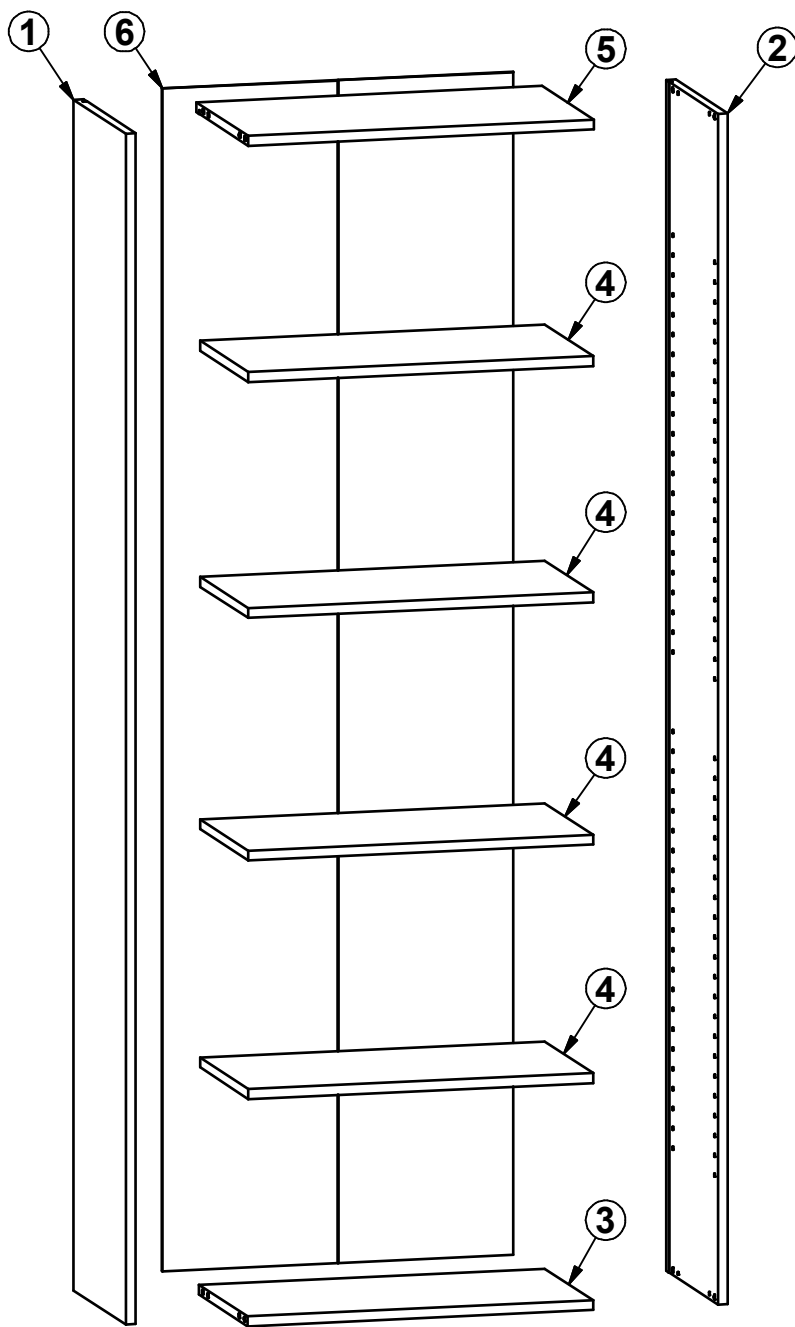
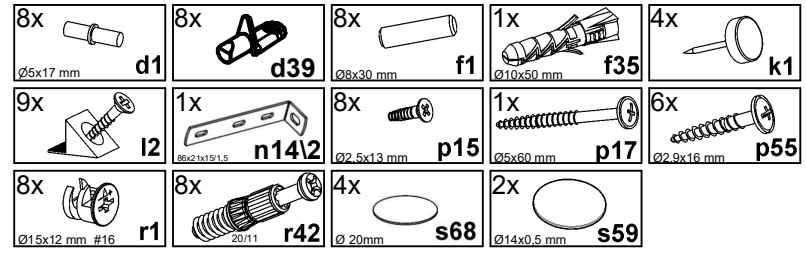
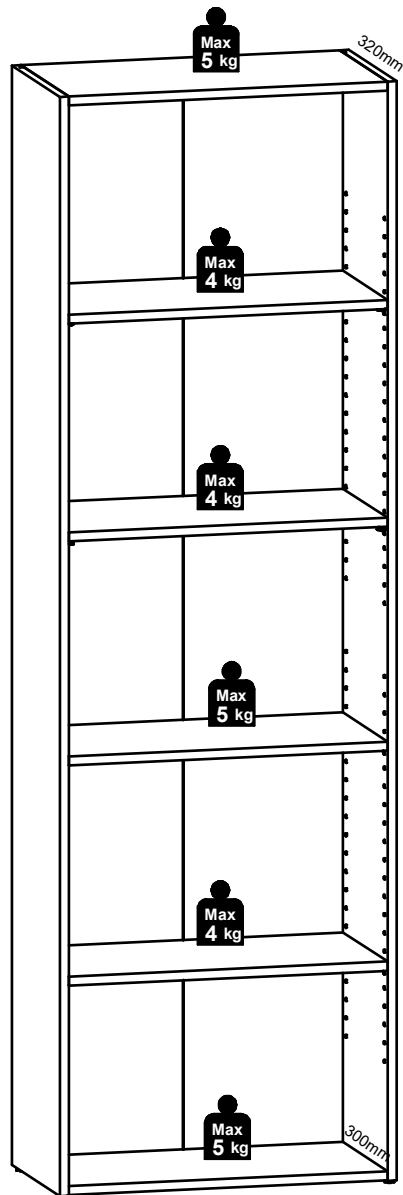
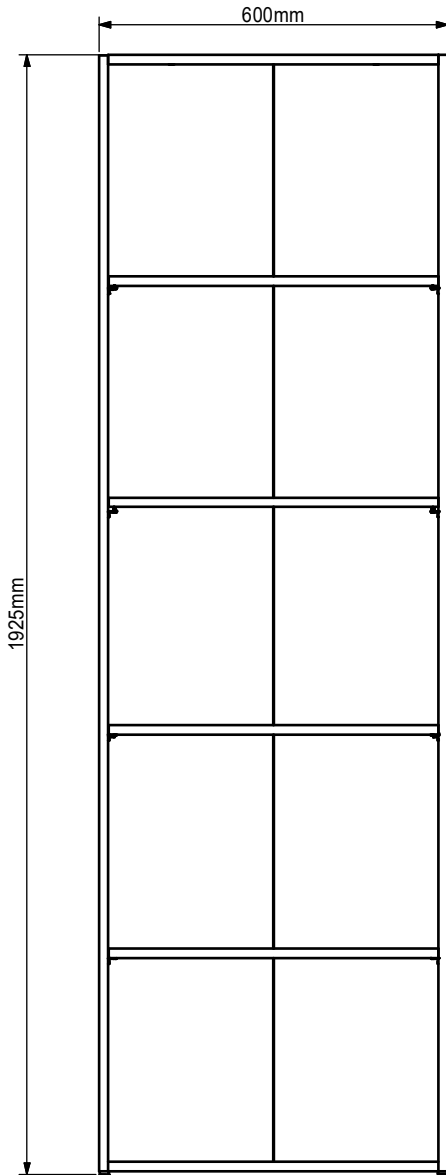
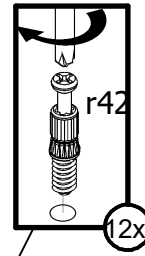




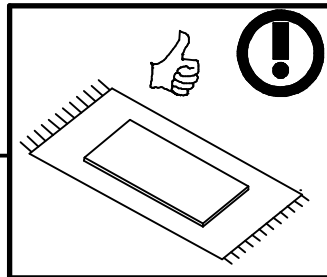
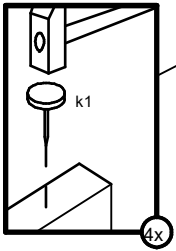
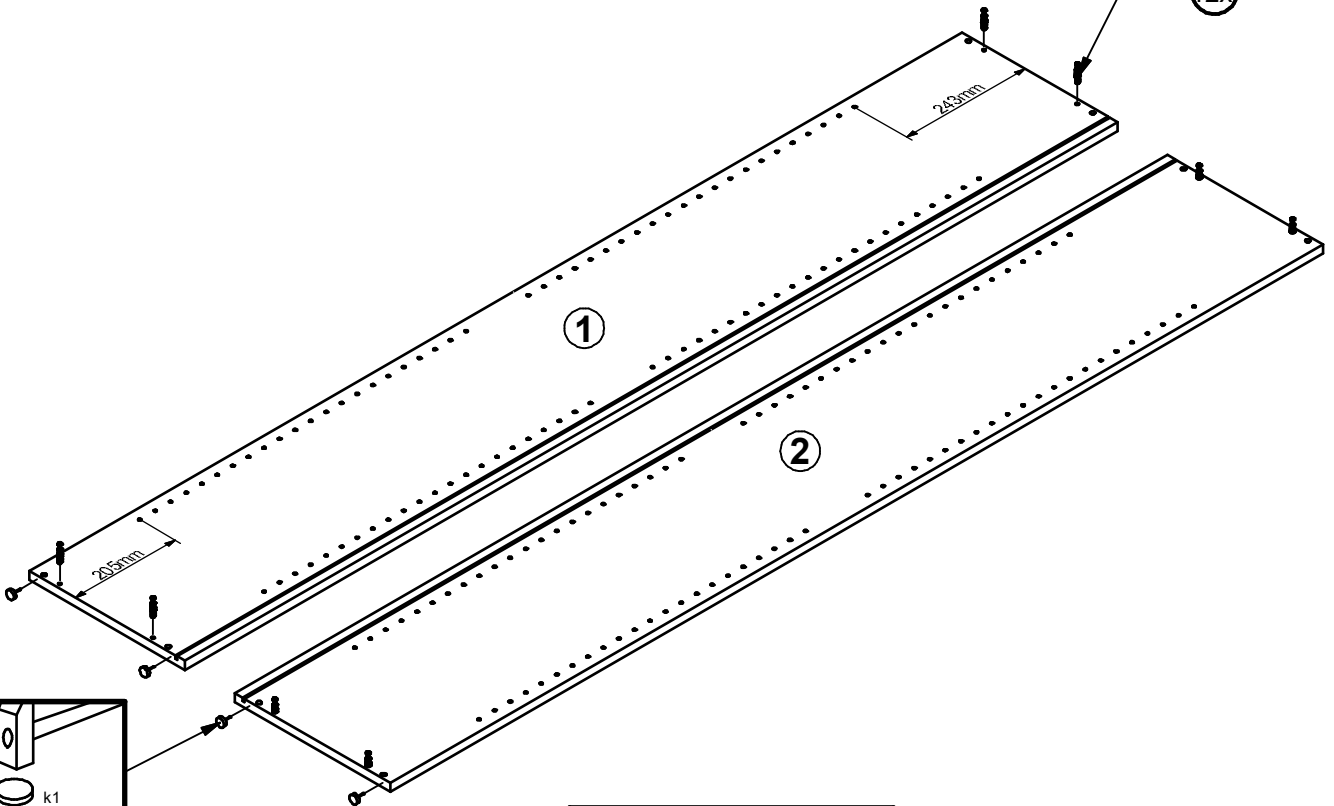
A	B1	B2	C1	C2	C3	D
1	S569-1009	-5	1920	320	16	1/1
2	S569-1010	-5	1920	320	16	1/1
3	S569-3001	-8	568	298	16	1/1
4	S569-3002	-7	567	298	16	1/1
5	S569-3003	-7	568	318	16	1/1
6	S569-9303	-5	1907	577	2,5	1/1





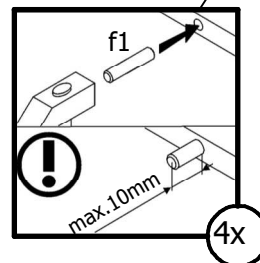
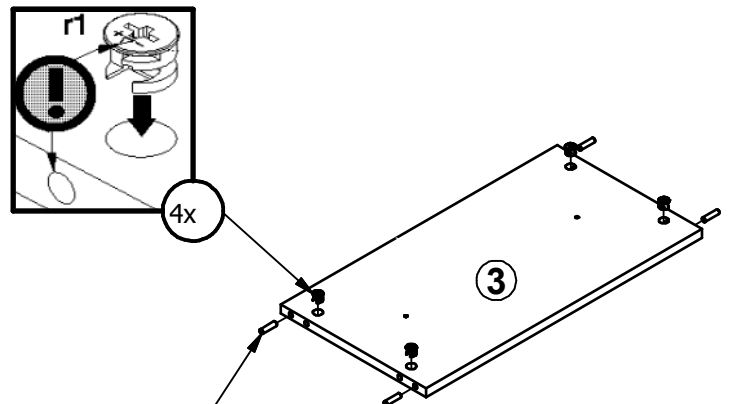
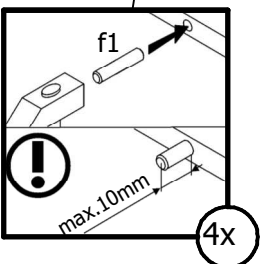
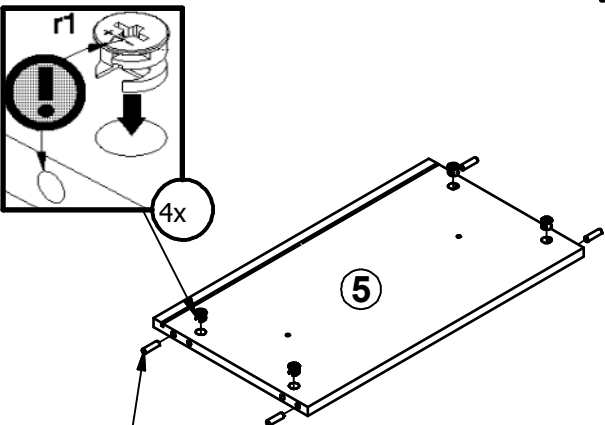


1

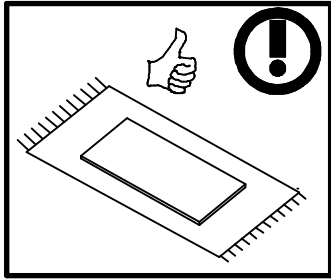
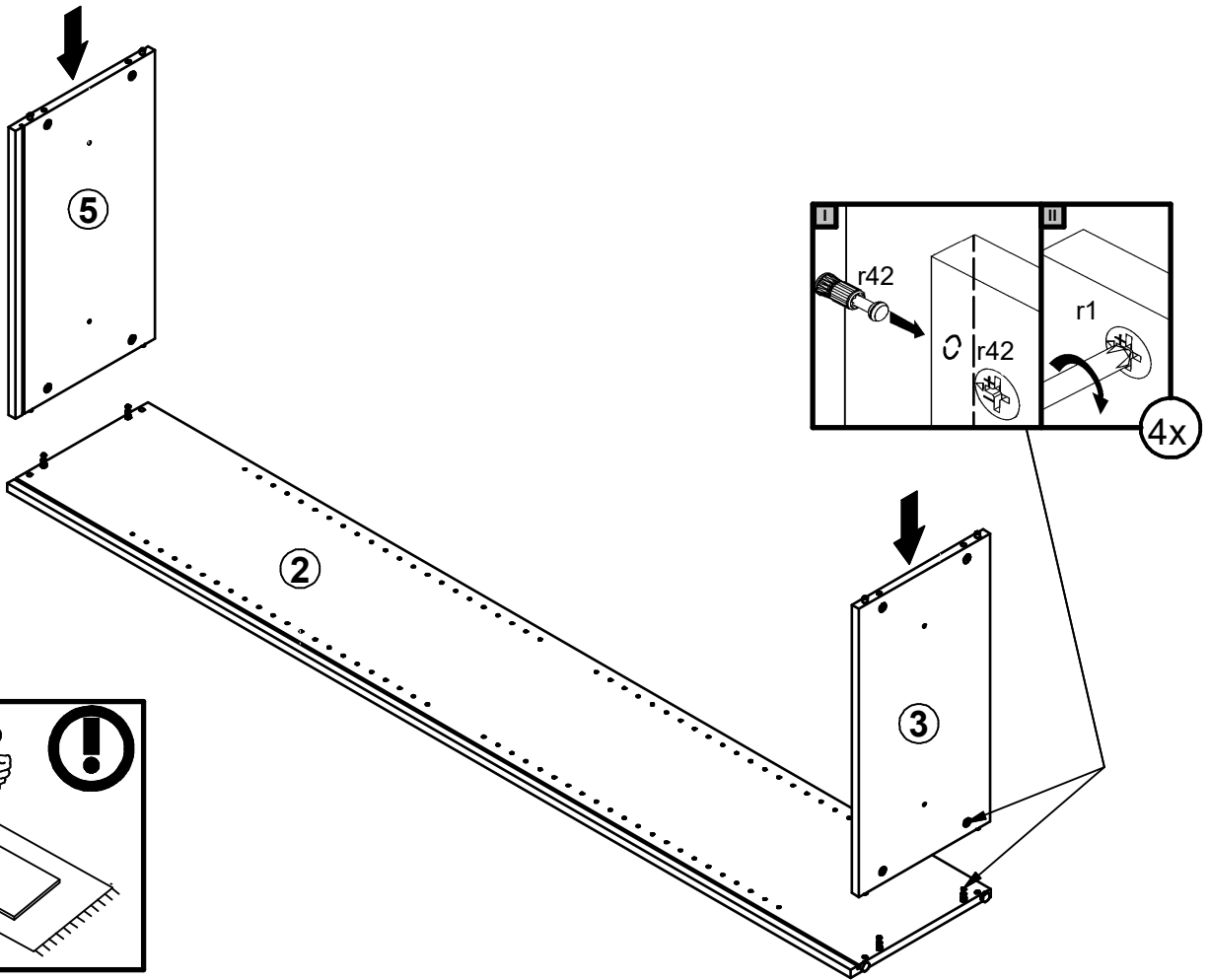


2

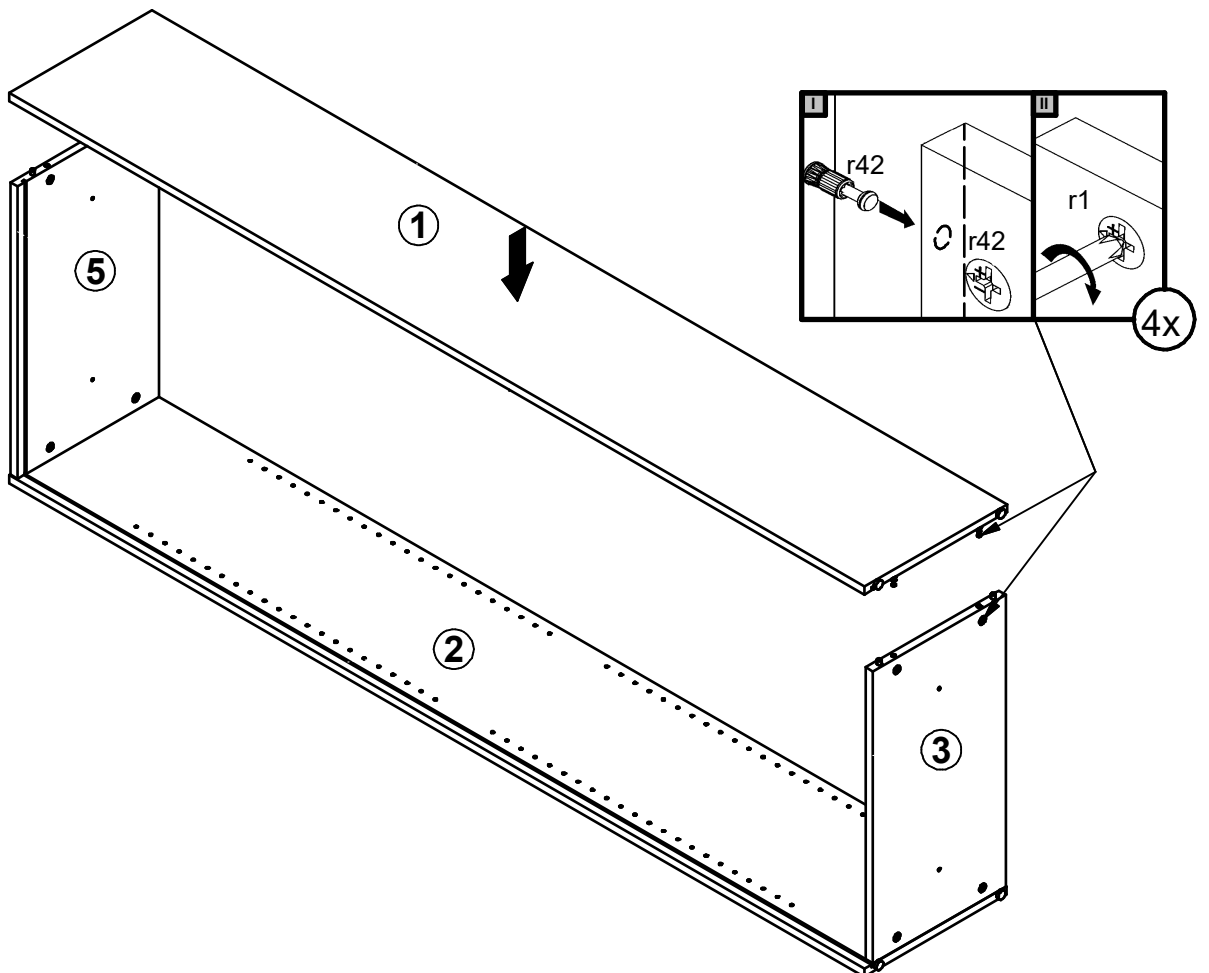
3



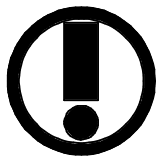
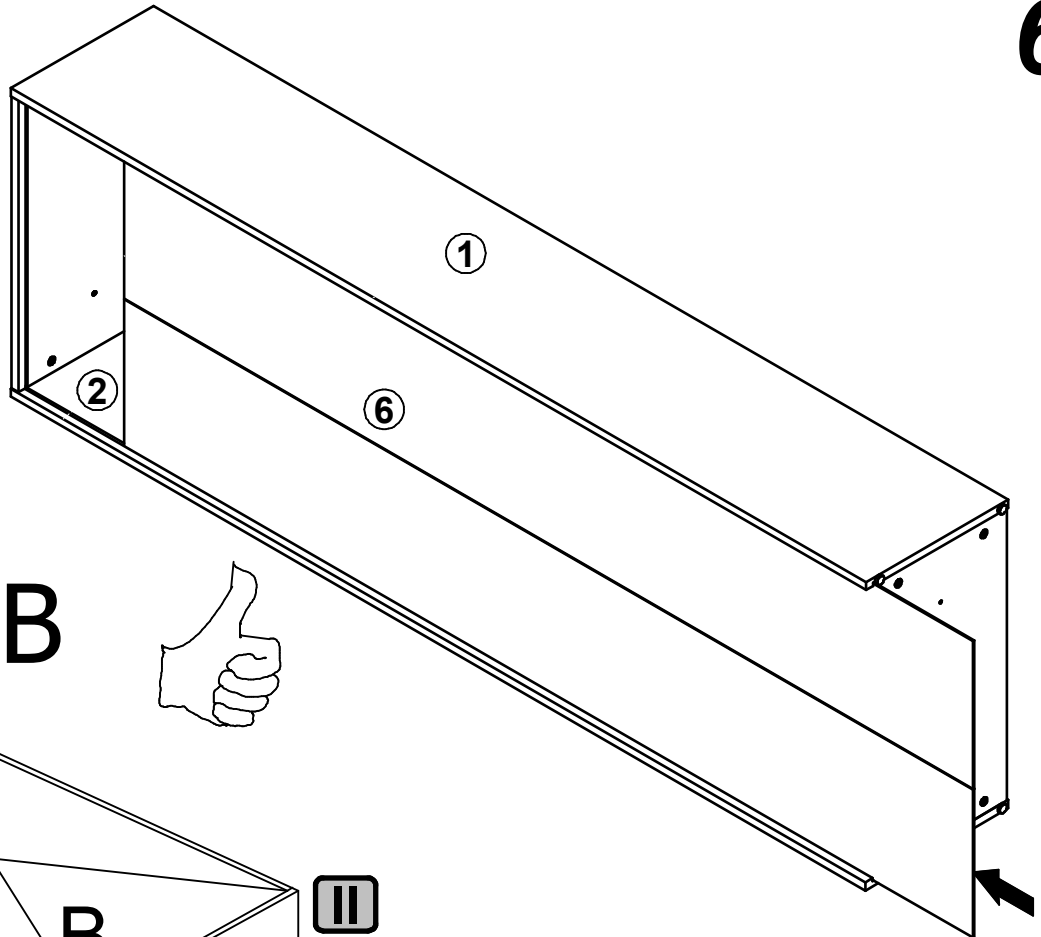
4



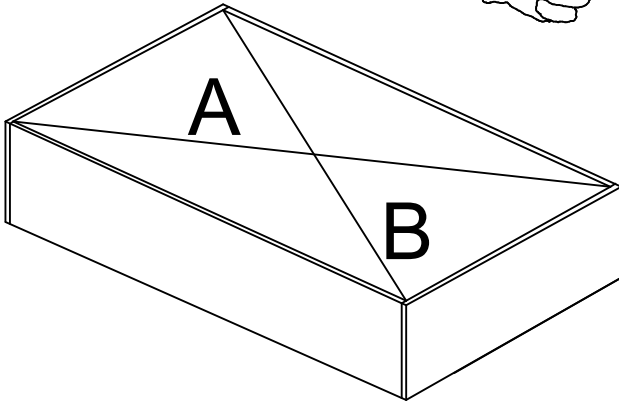
5



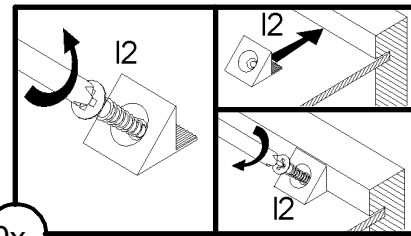
I



A=B

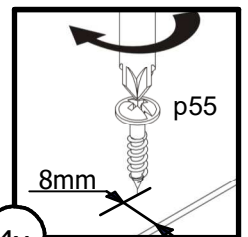
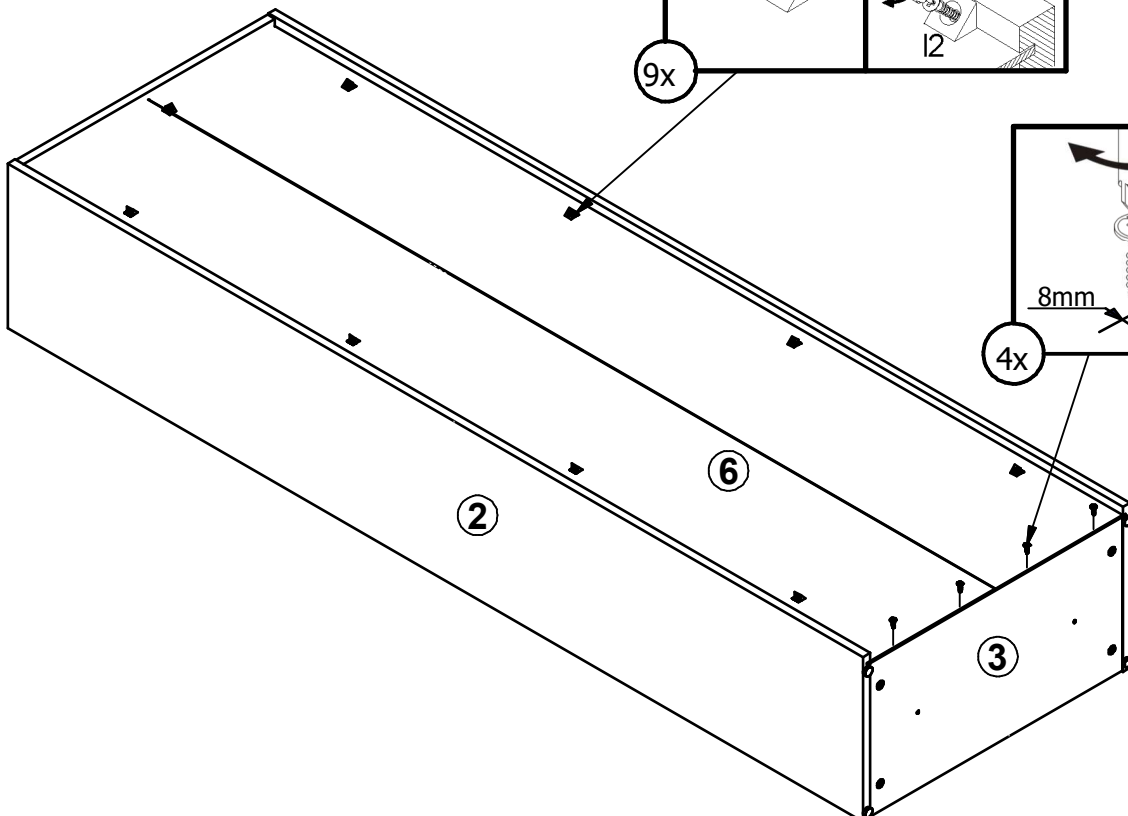


II



9x

III



4x

