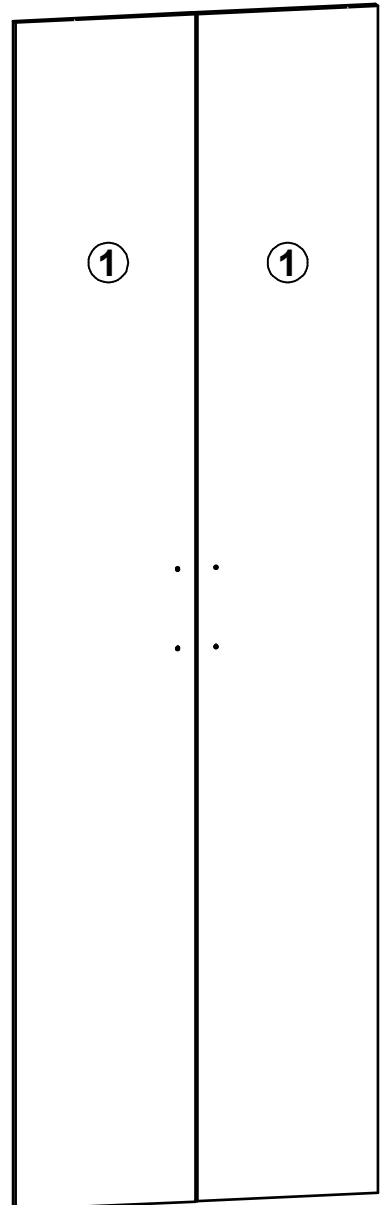
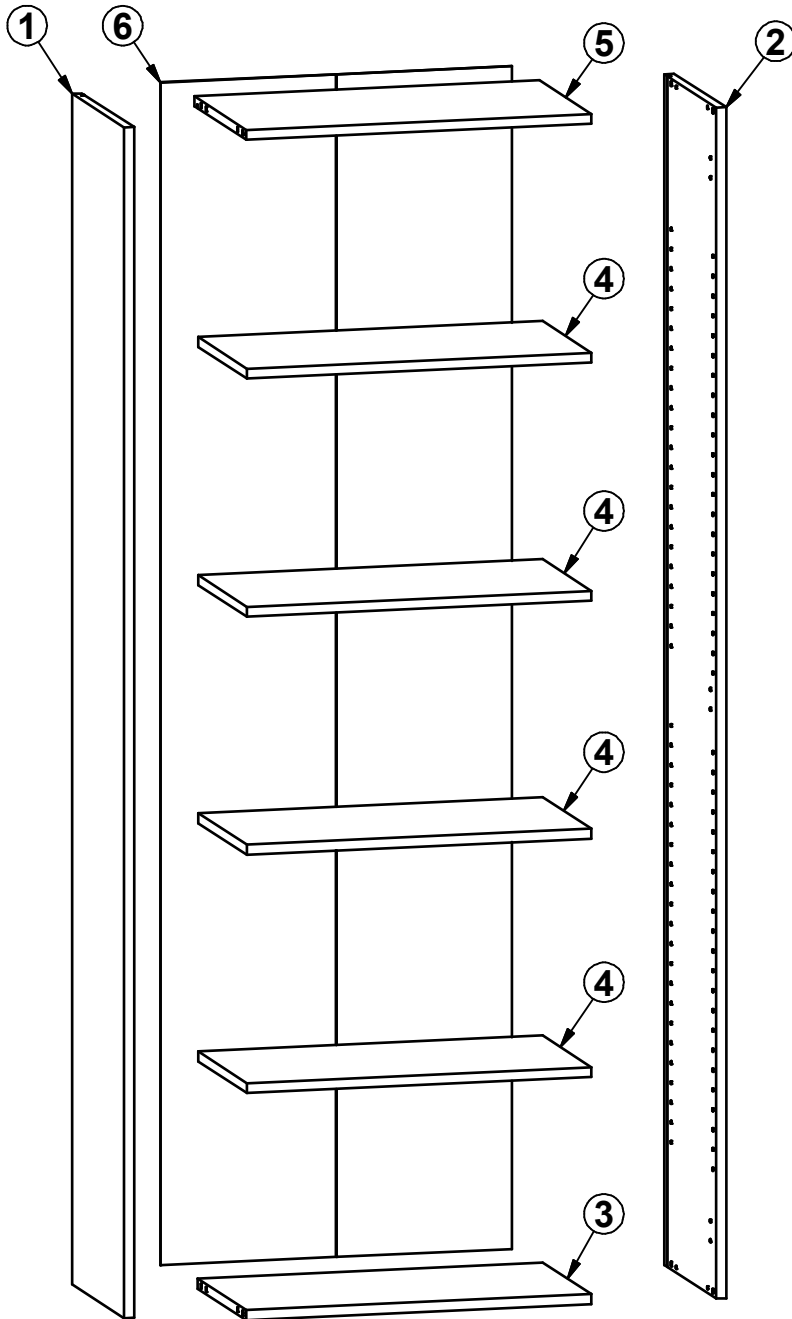
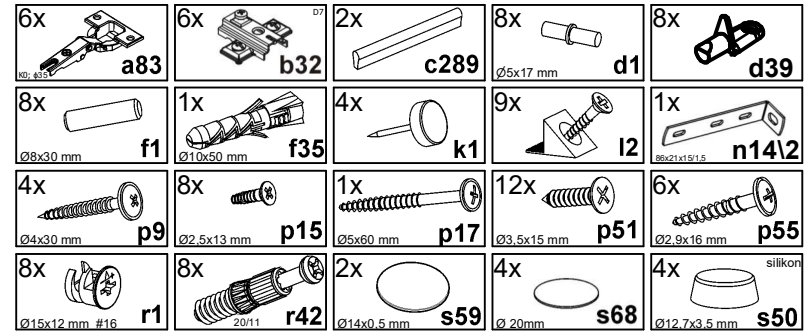
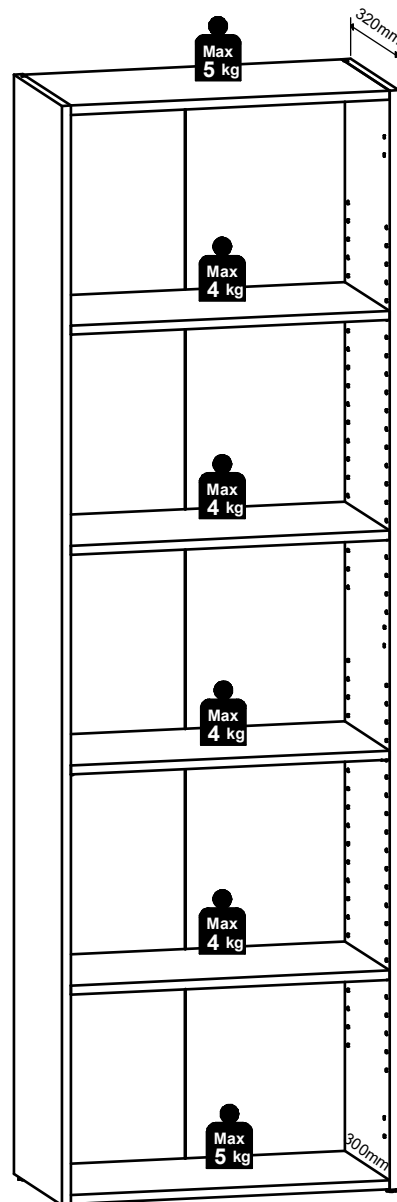
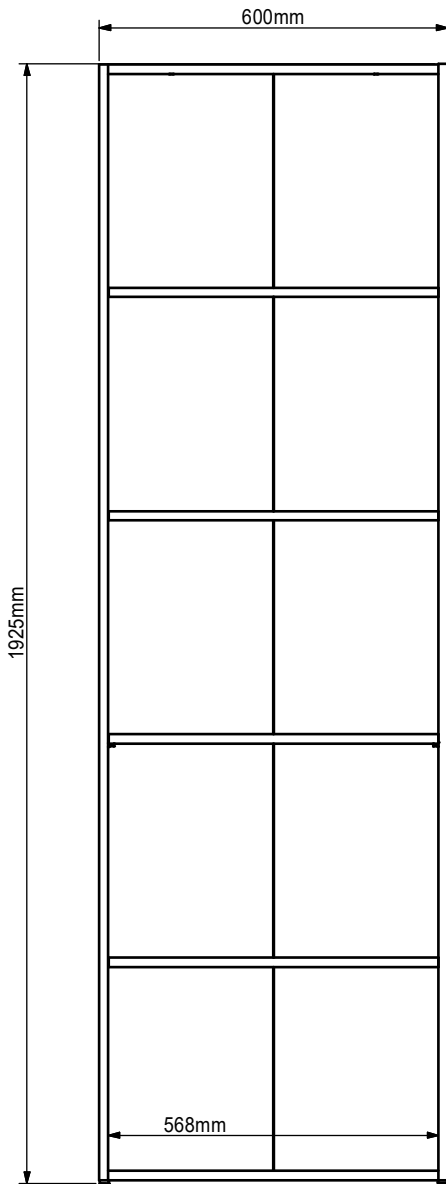
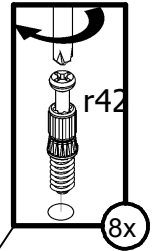




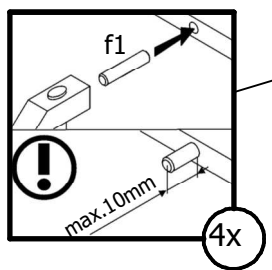
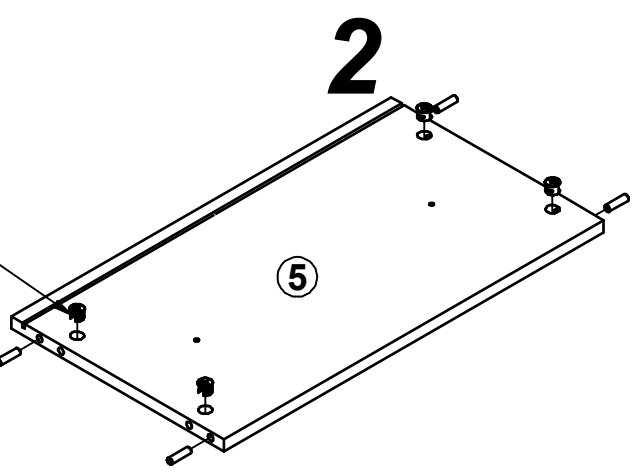
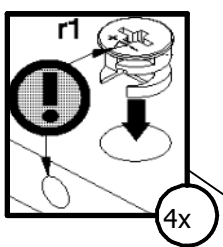
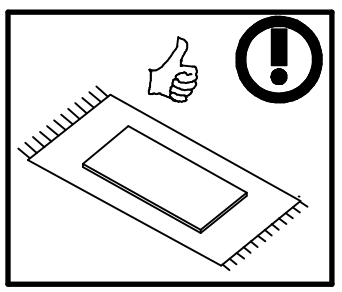
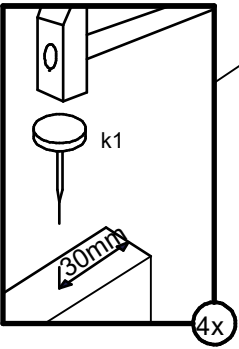
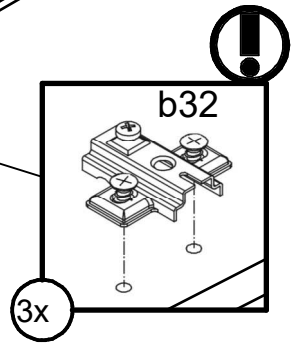
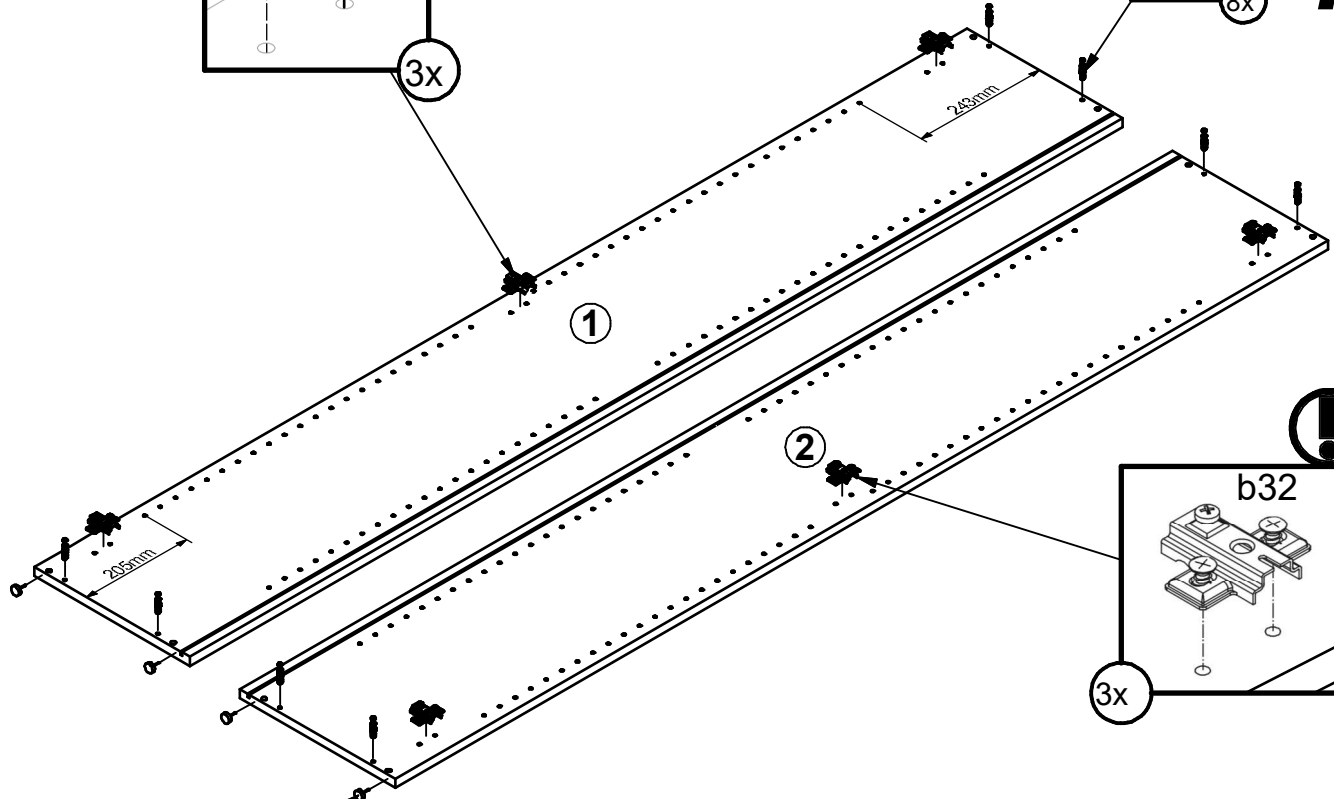
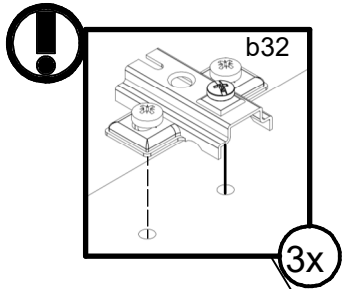
A	B1	B2	C1	C2	C3	D
1	S569-0005	A.4	1914	296	16	2/2
1	S569-1005	A.4	1920	320	16	1/2
2	S569-1006	A.4	1920	320	16	1/2
3	S569-3001	-7	568	298	16	1/2
4	S569-3002	-6	567	298	16	1/2
5	S569-3003	-6	568	318	16	1/2
6	S569-9303	-5	1907	577	2,5	1/2

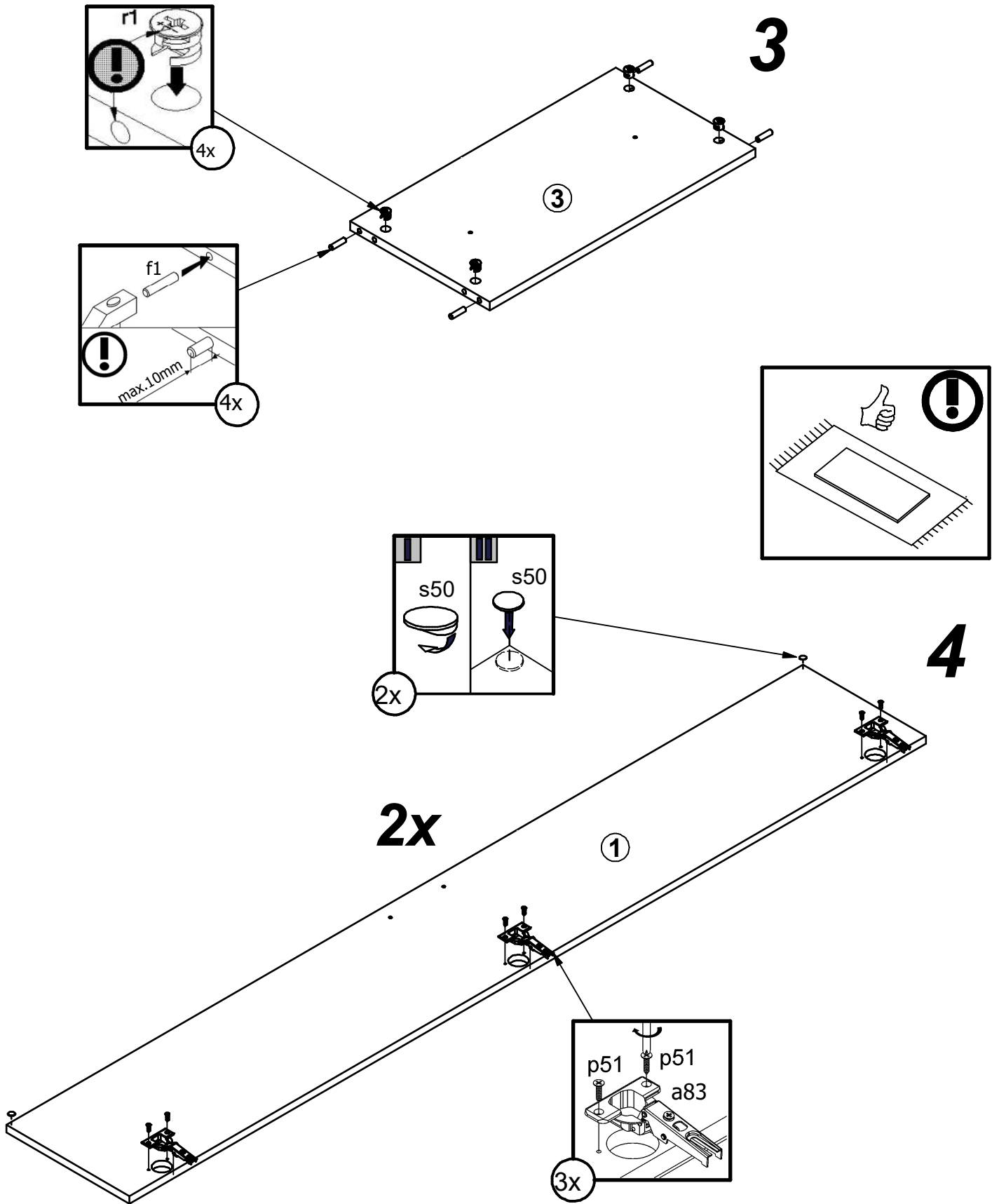




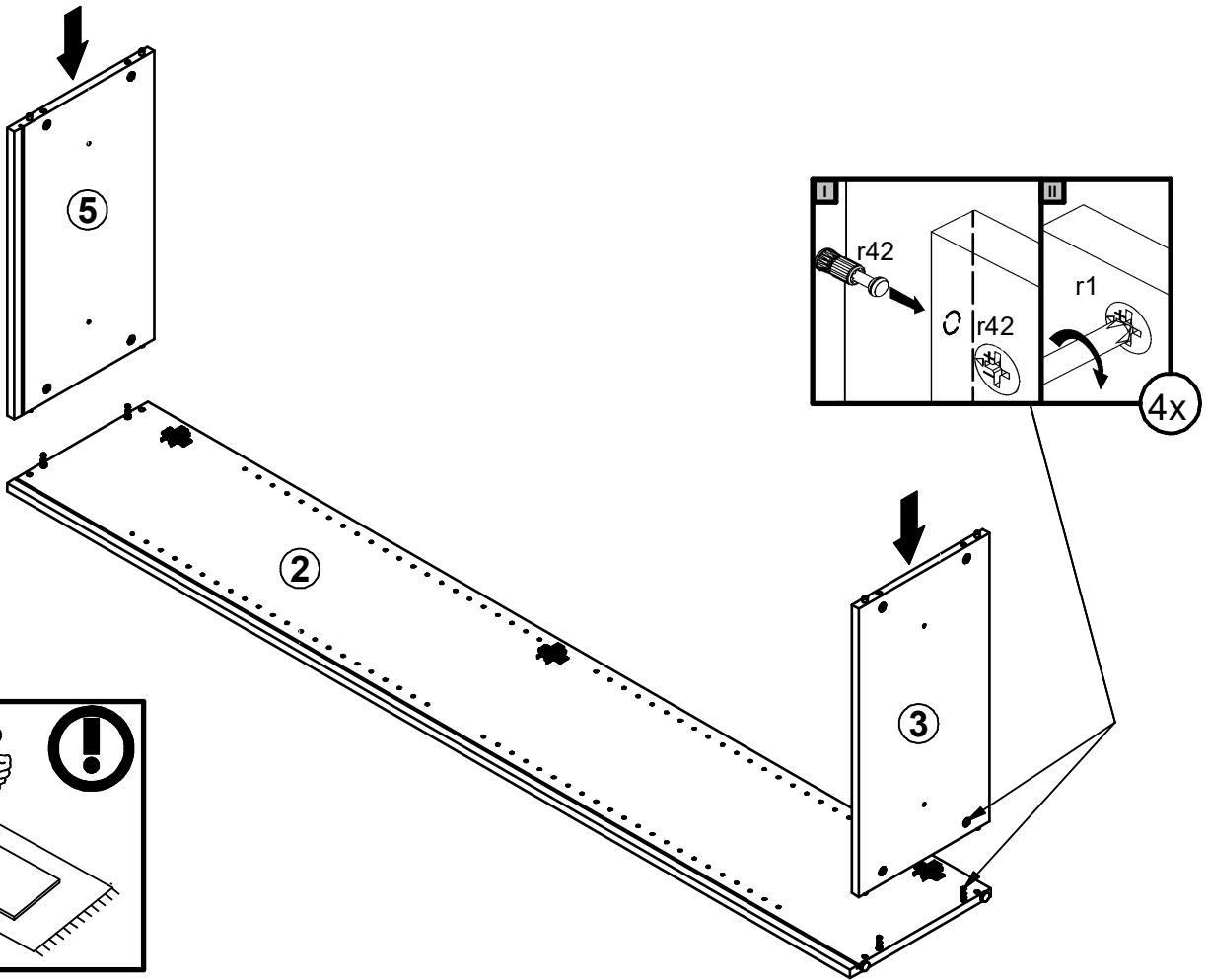


1

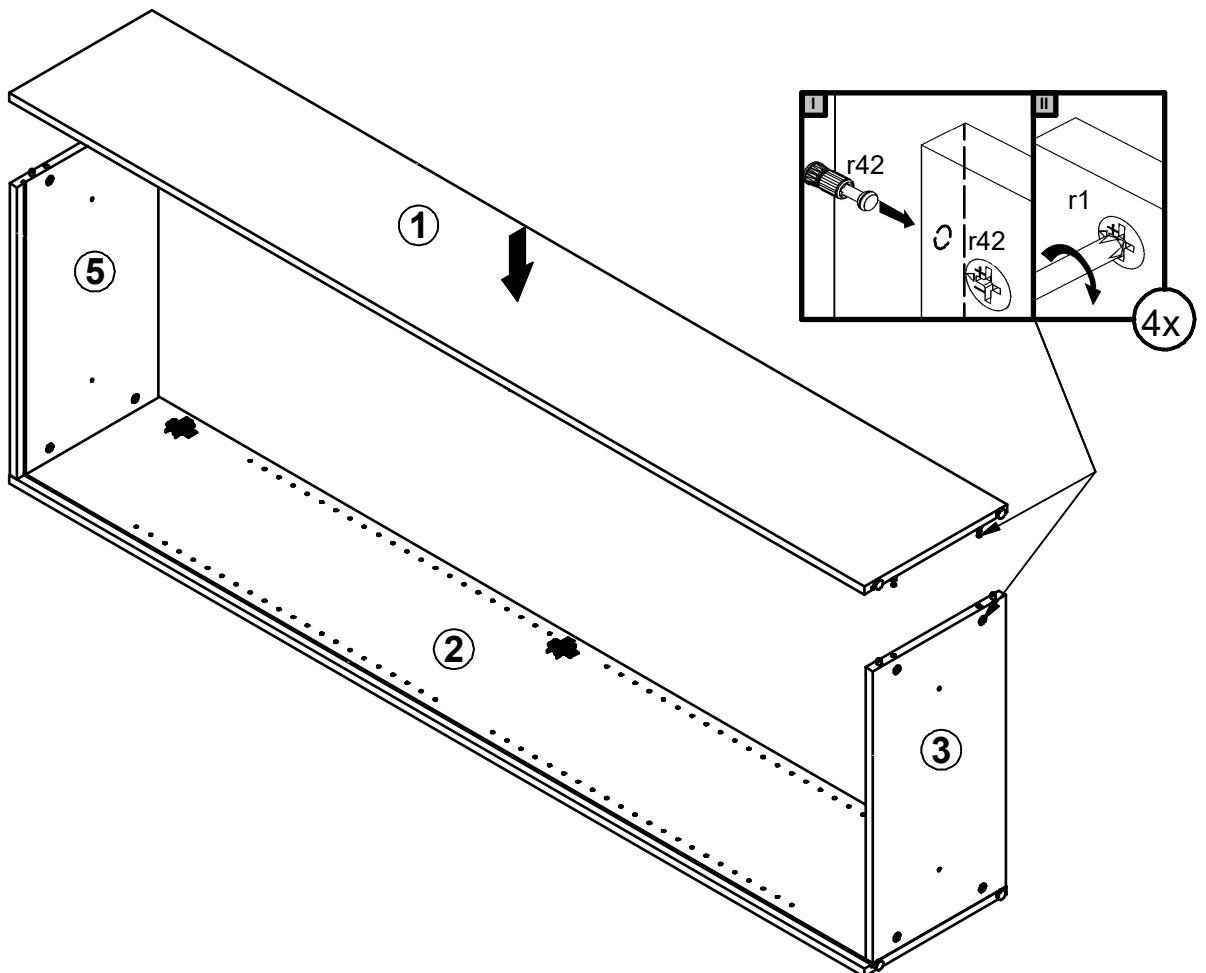




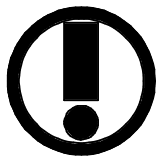
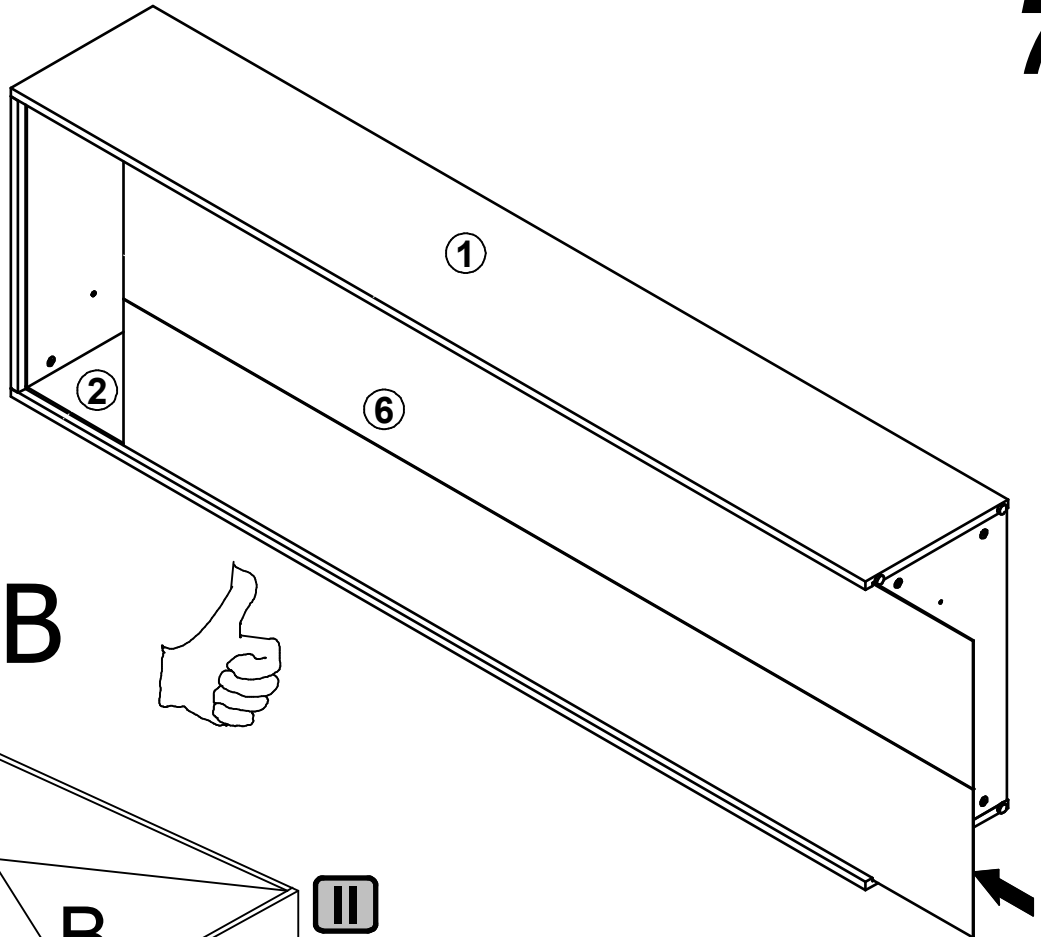
5



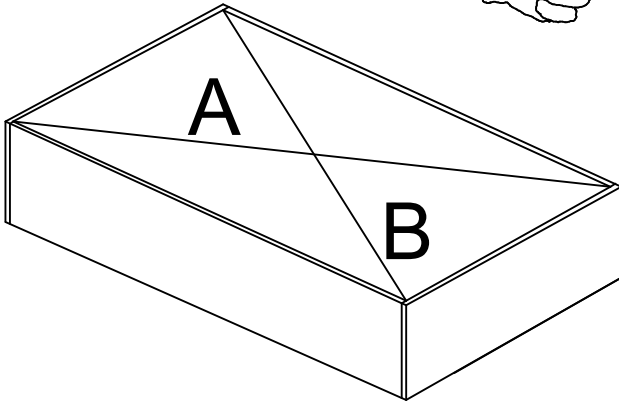
6



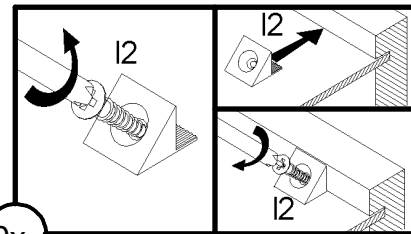
I



A=B

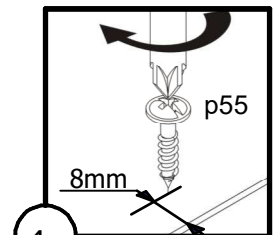
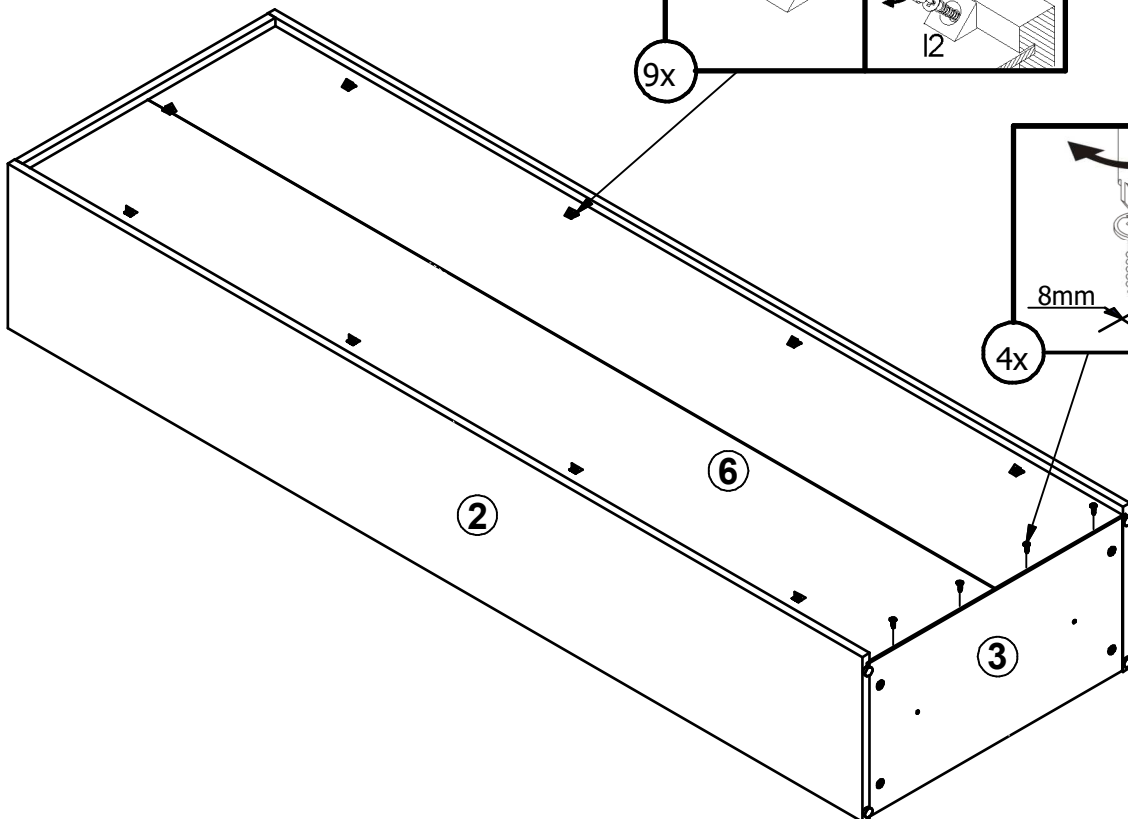


II

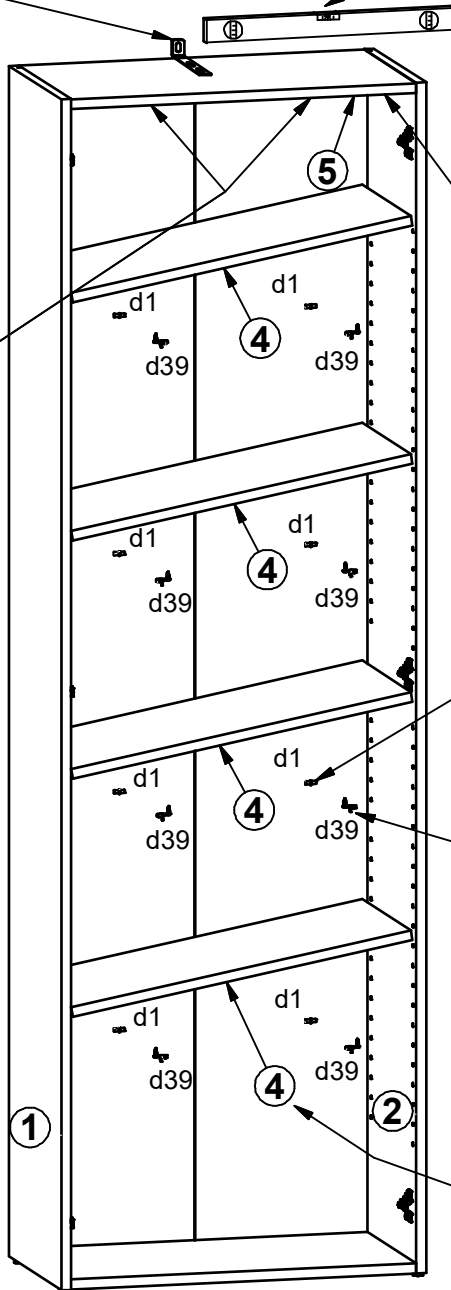
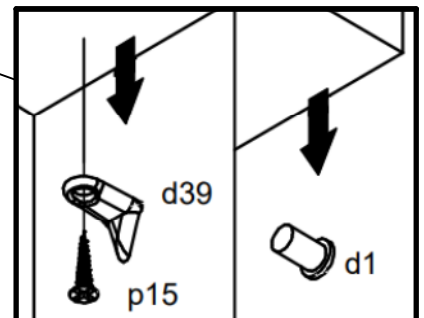
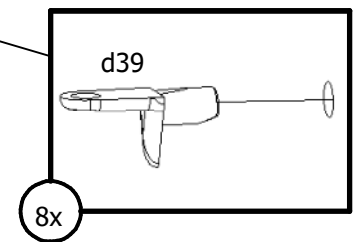
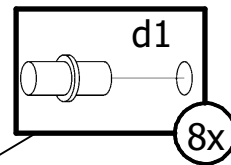
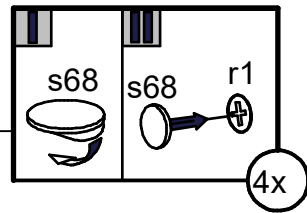
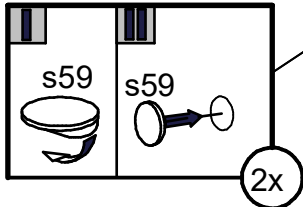
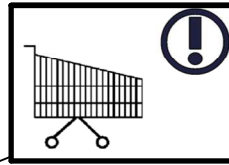
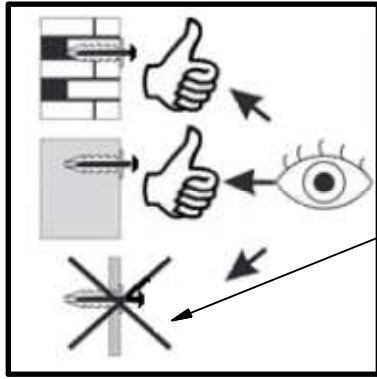
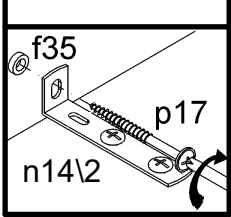
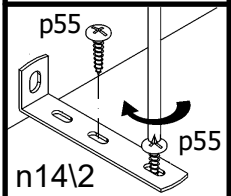
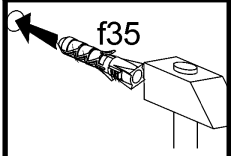
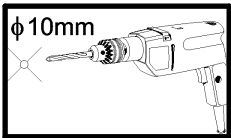


9x

III

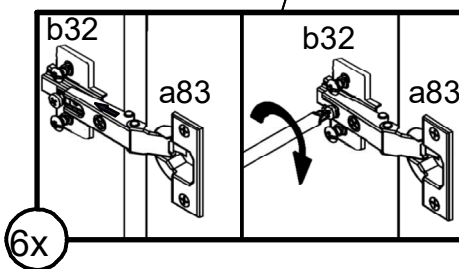
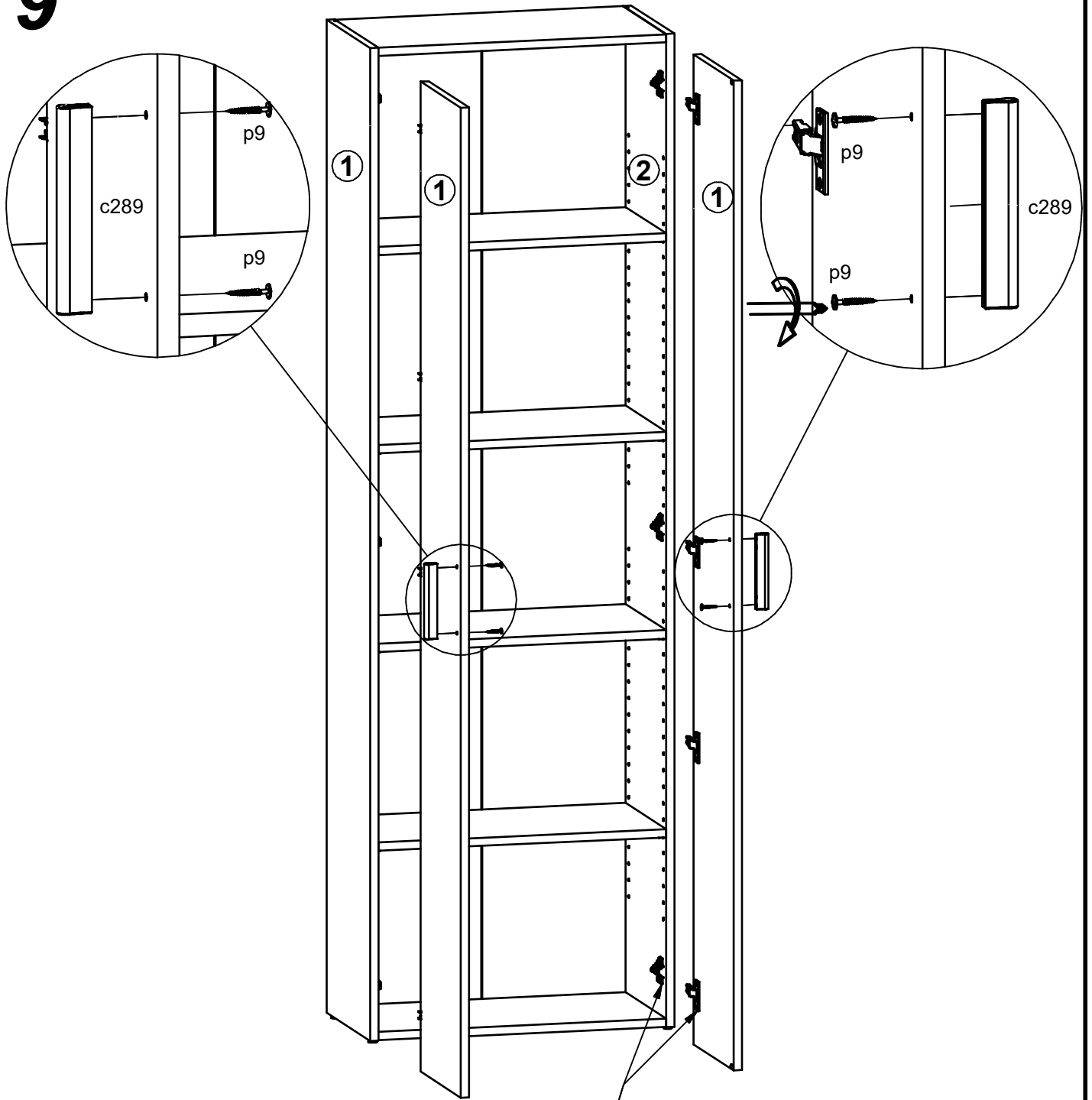


4x





9



This block contains several icons and diagrams:
 

- A crossed-out icon of a hand with particles, indicating a warning against dust or debris.
- An icon of a hand with a gear and the text '100% COTTON', indicating that the product is made of 100% cotton.
- A crossed-out icon of a flask and a bottle, indicating a warning against using liquids or chemicals.
- A warning triangle with the text '\$10', indicating a sharp edge or point.
- Three diagrams showing the hinge assembly with arrows indicating the range of motion and adjustment points.