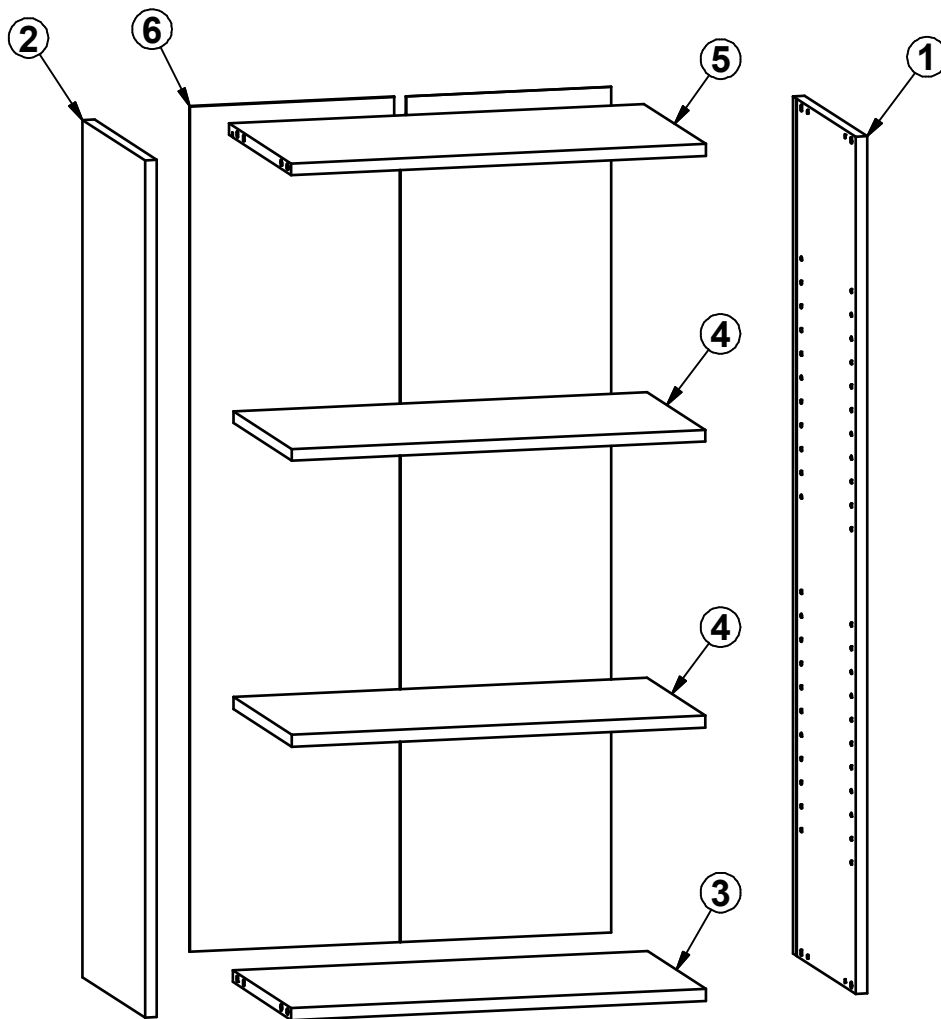
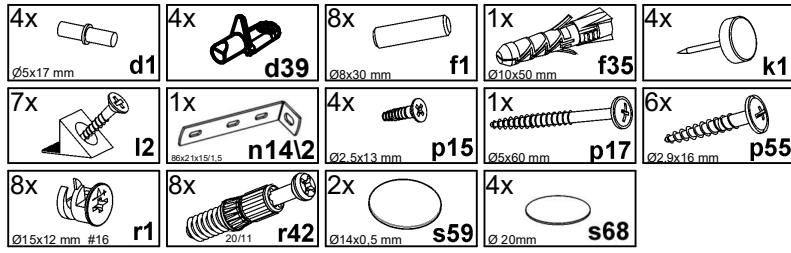
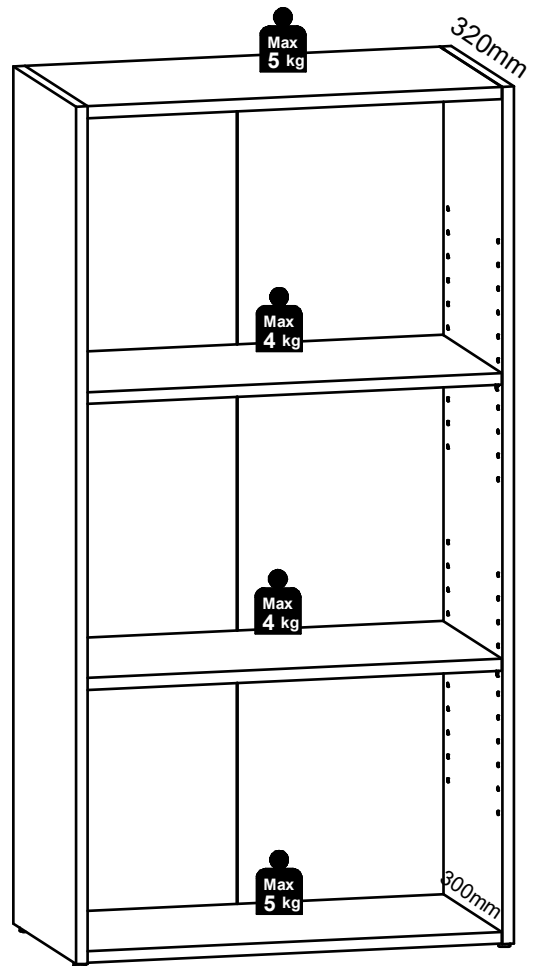
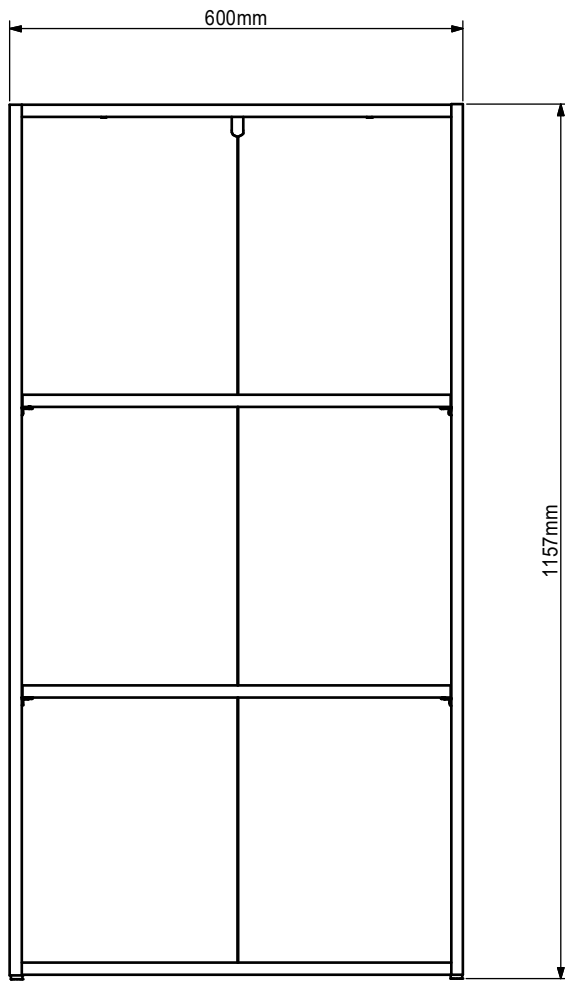
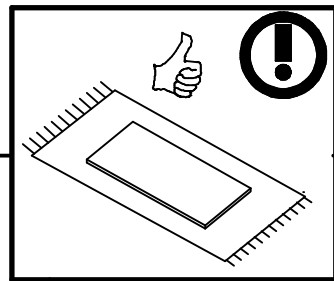
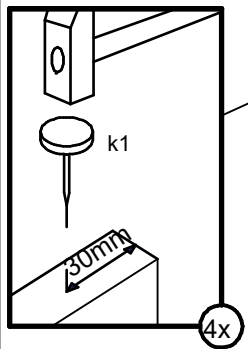
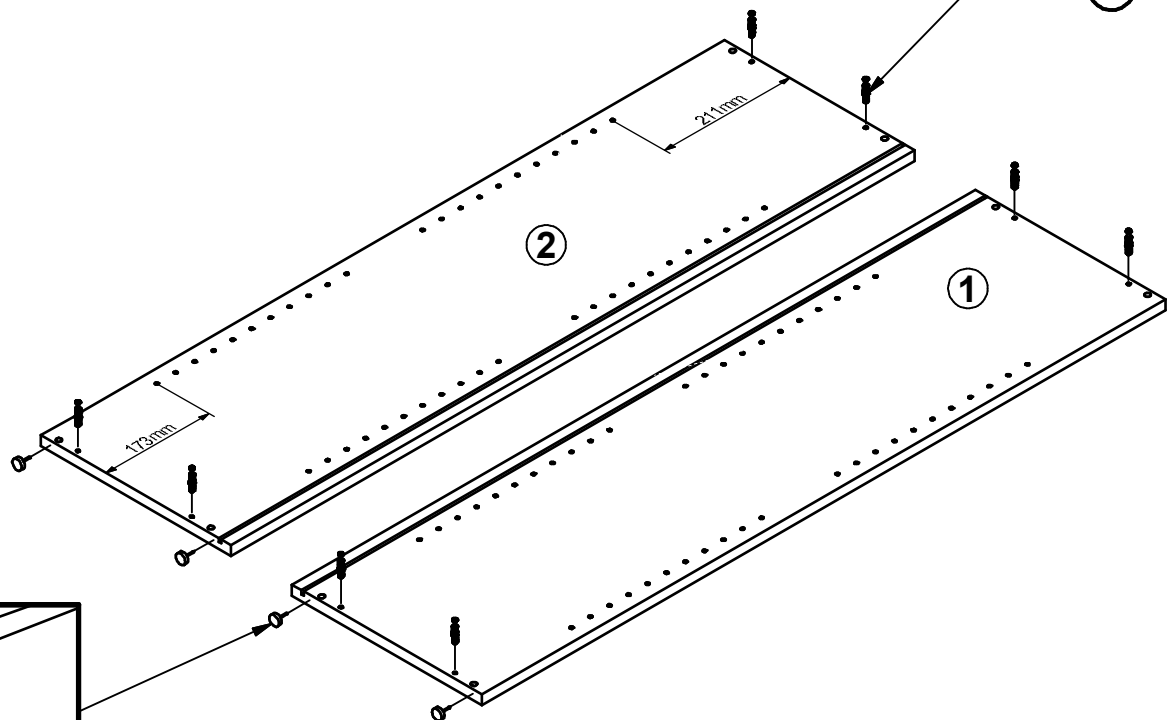
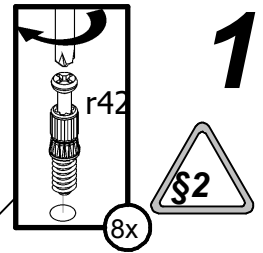




A	B1	B2	C1	C2	C3	D
1	S569-1007	-5	1152	320	16	1/1
2	S569-1008	-5	1152	320	16	1/1
3	S569-3001	-8	568	298	16	1/1
4	S569-3002	-7	567	298	16	1/1
5	S569-3003	-7	568	318	16	1/1
6	S569-9302	-5	1136	577	2,5	1/1

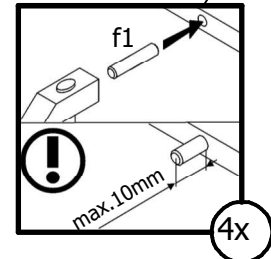
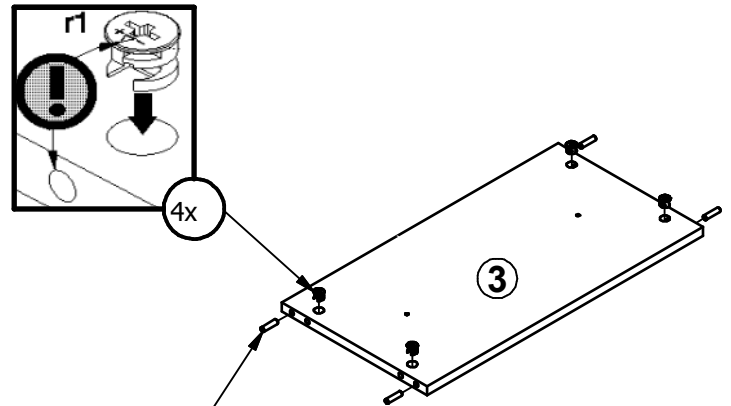
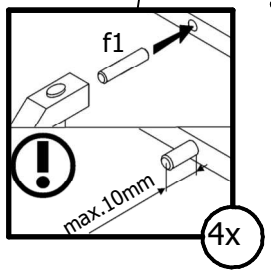
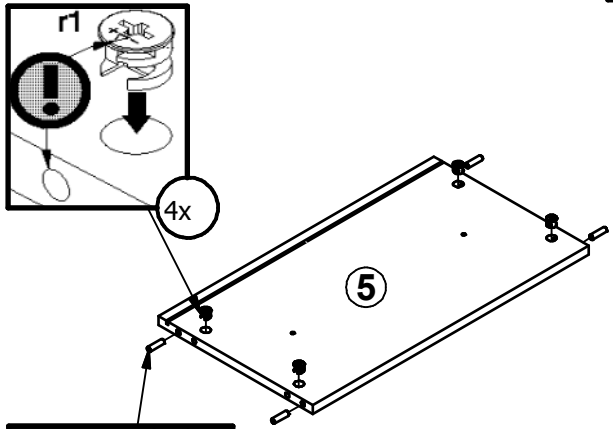




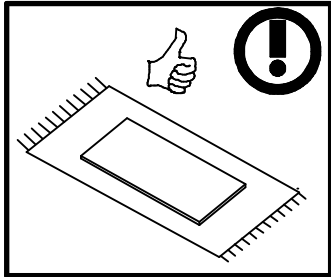
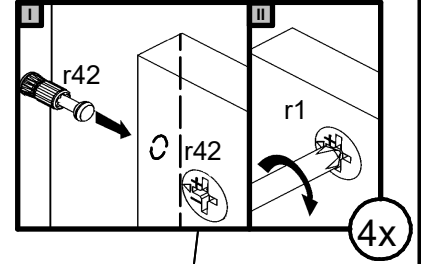
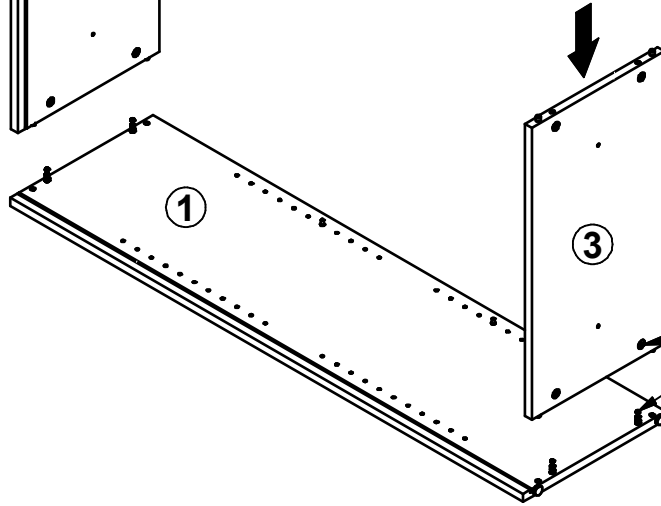
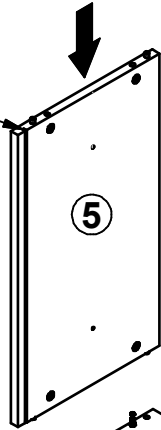


2

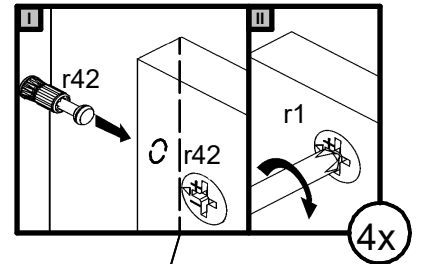
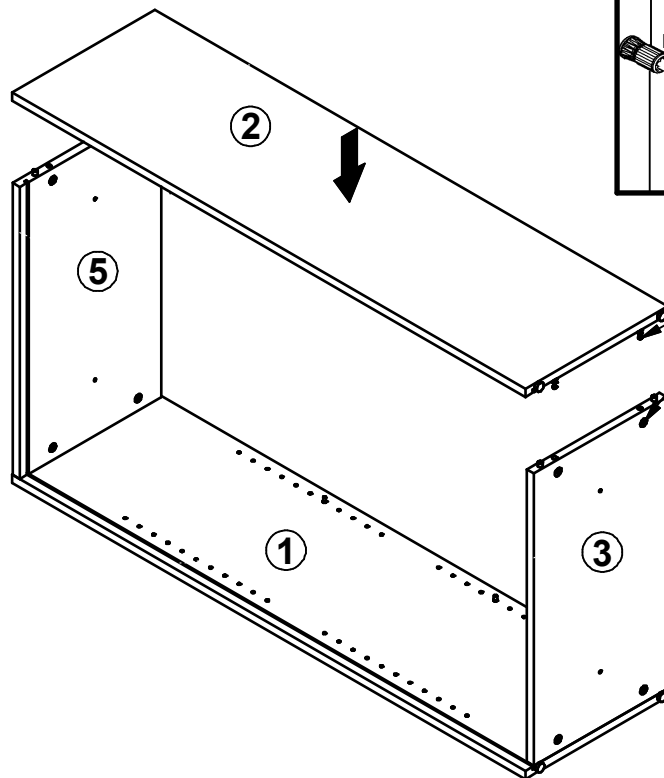
3

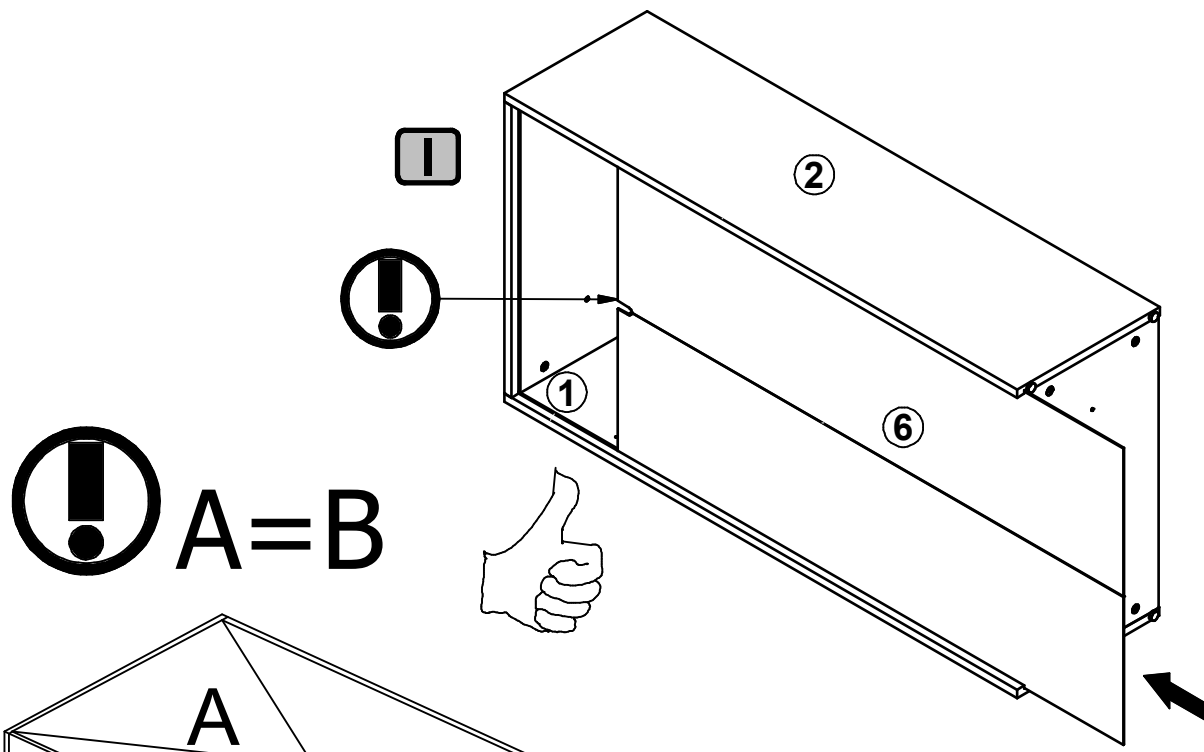


4

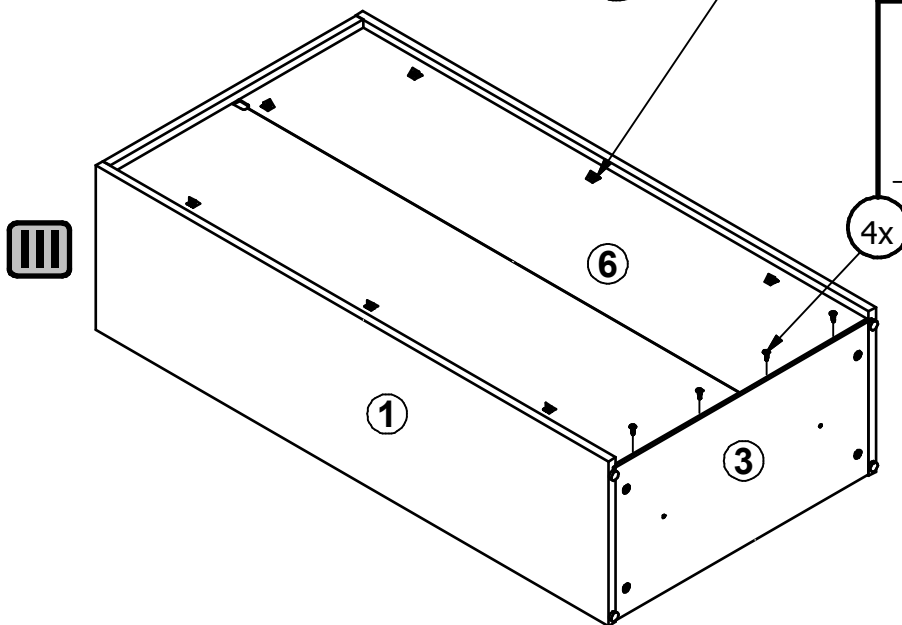
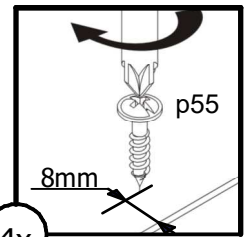
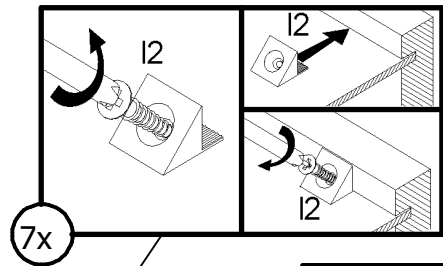
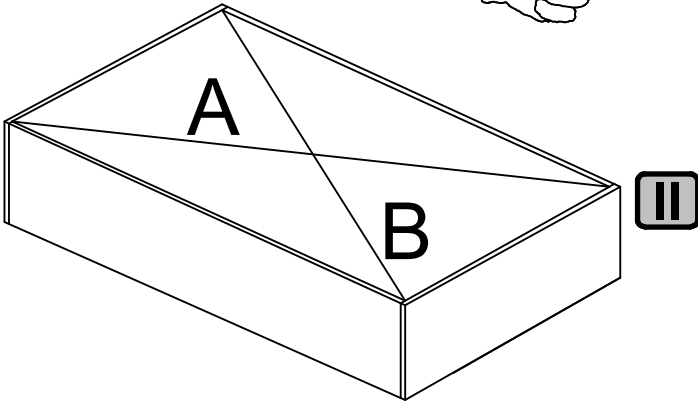


5

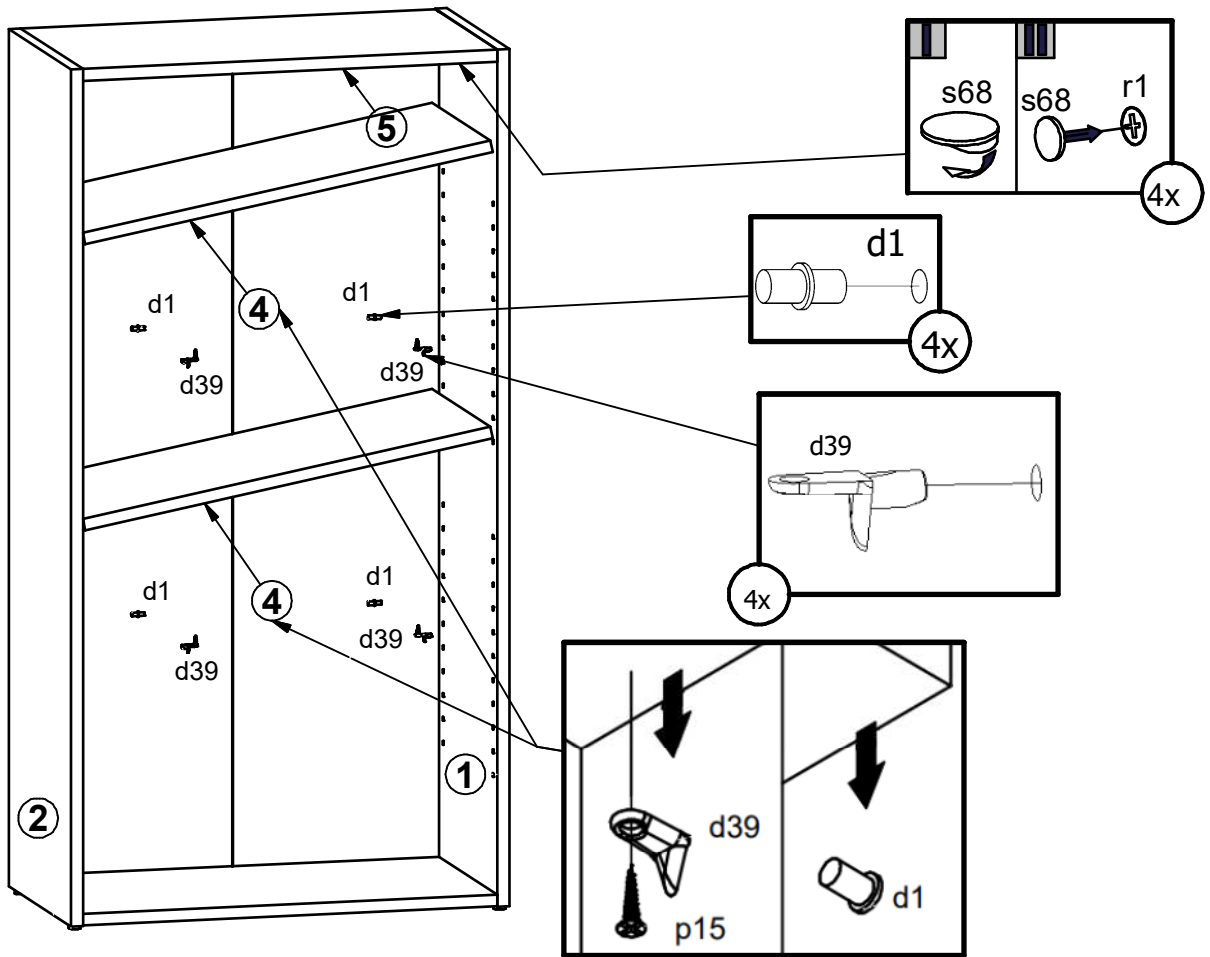




! A=B



7



8

