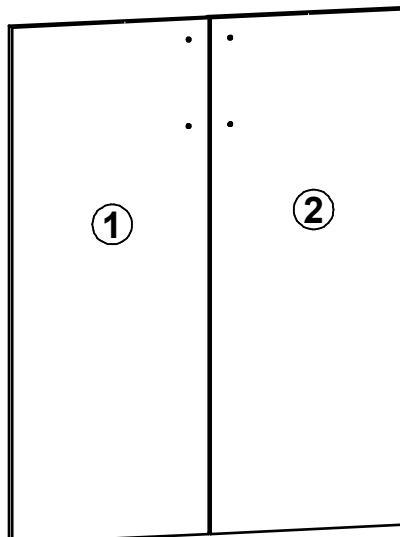
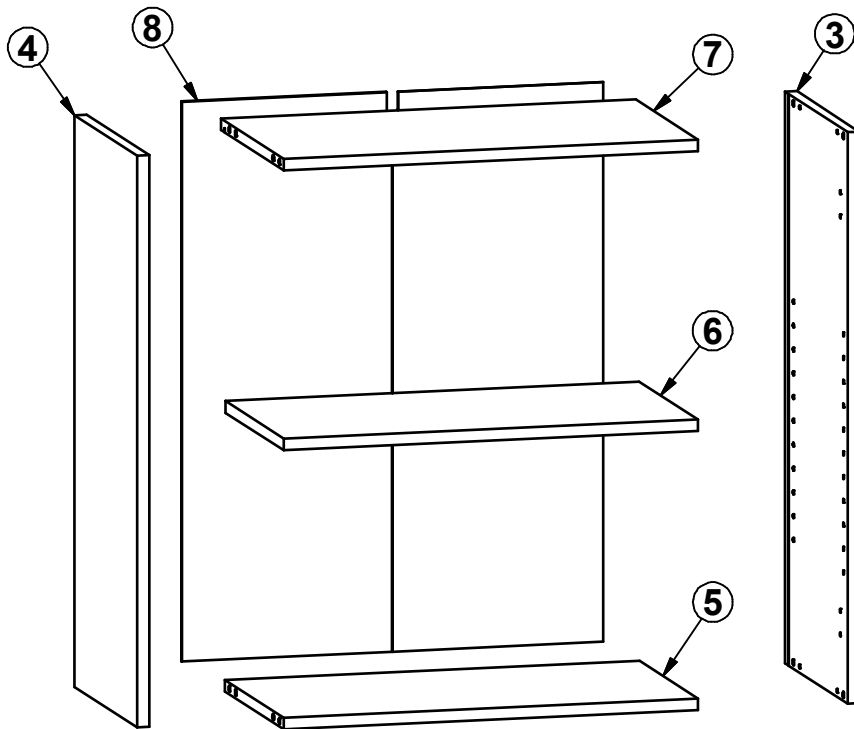
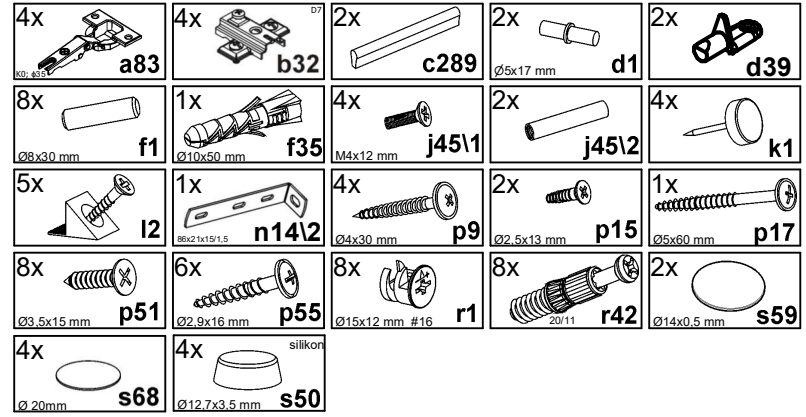
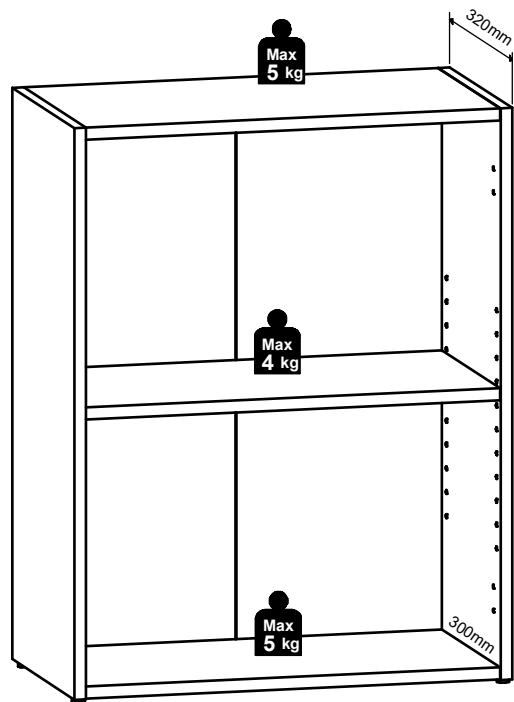
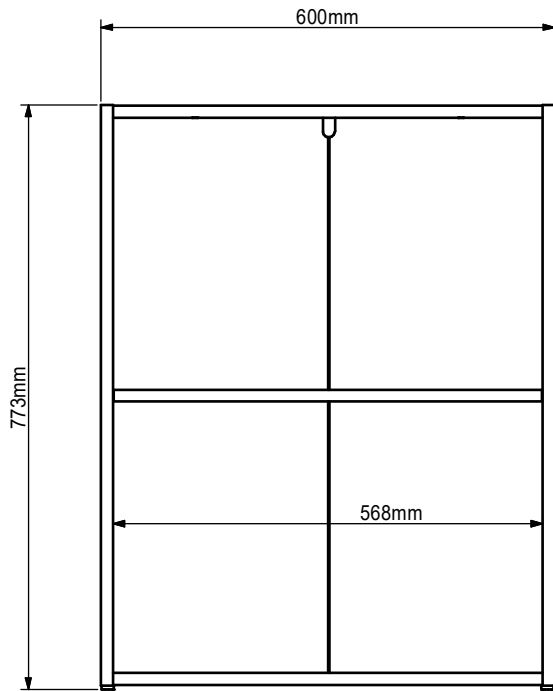


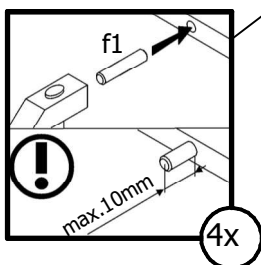
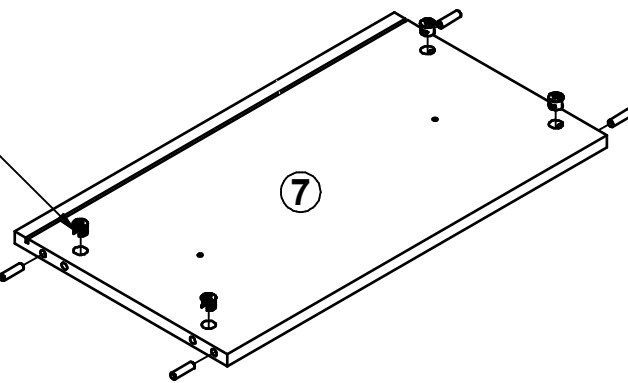
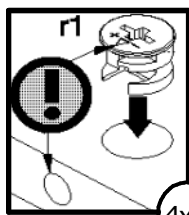
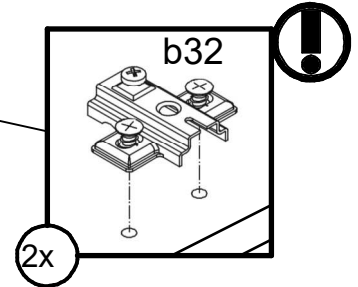
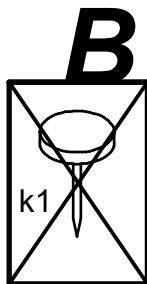
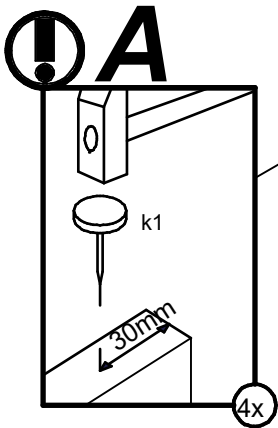
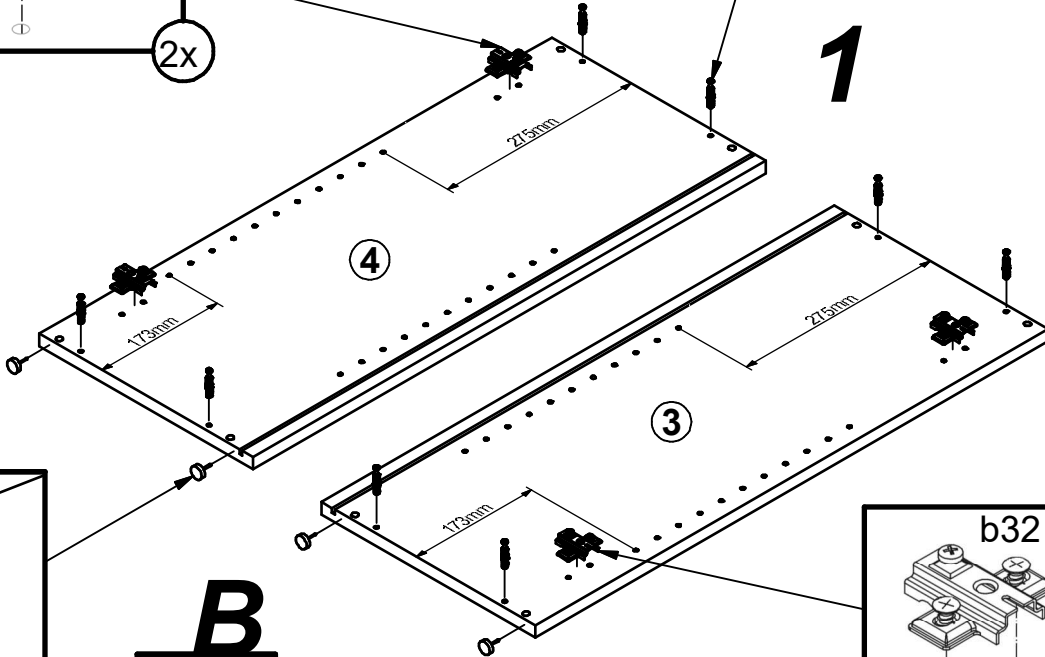
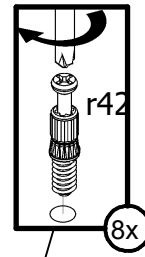
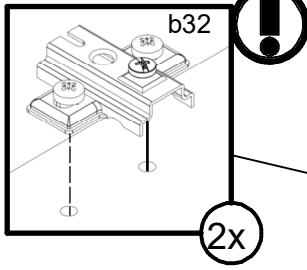
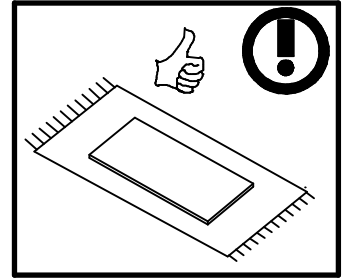


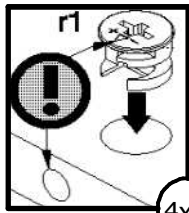


A	B1	B2	C1	C2	C3	D
1	S569-0001	-9	762	296	16	1/1
2	S569-0002	-9	762	296	16	1/1
3	S569-1001	A.5	768	320	16	1/1
4	S569-1002	A.5	768	320	16	1/1
5	S569-3001	-8	568	298	16	1/1
6	S569-3002	-7	567	298	16	1/1
7	S569-3003	-7	568	318	16	1/1
8	S569-9301	-5	752	577	2.5	1/1

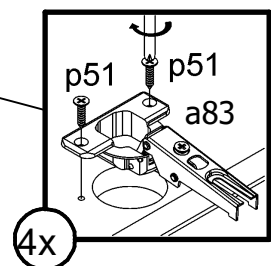
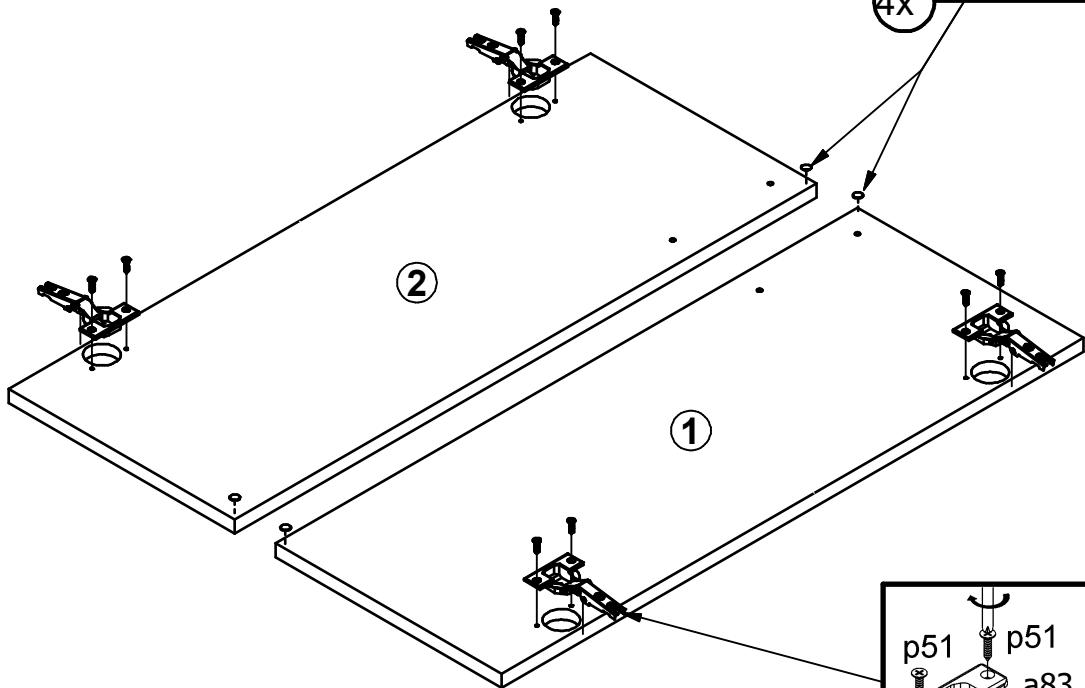
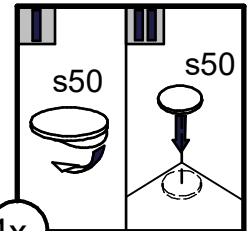
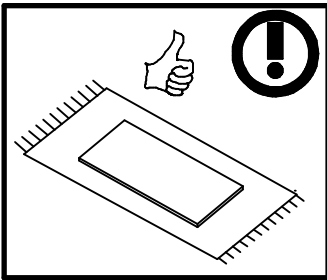
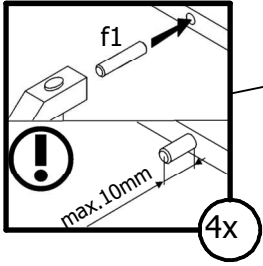




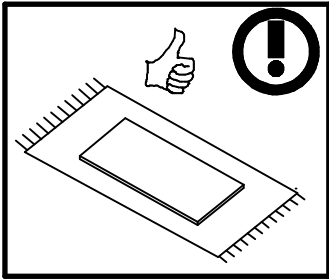
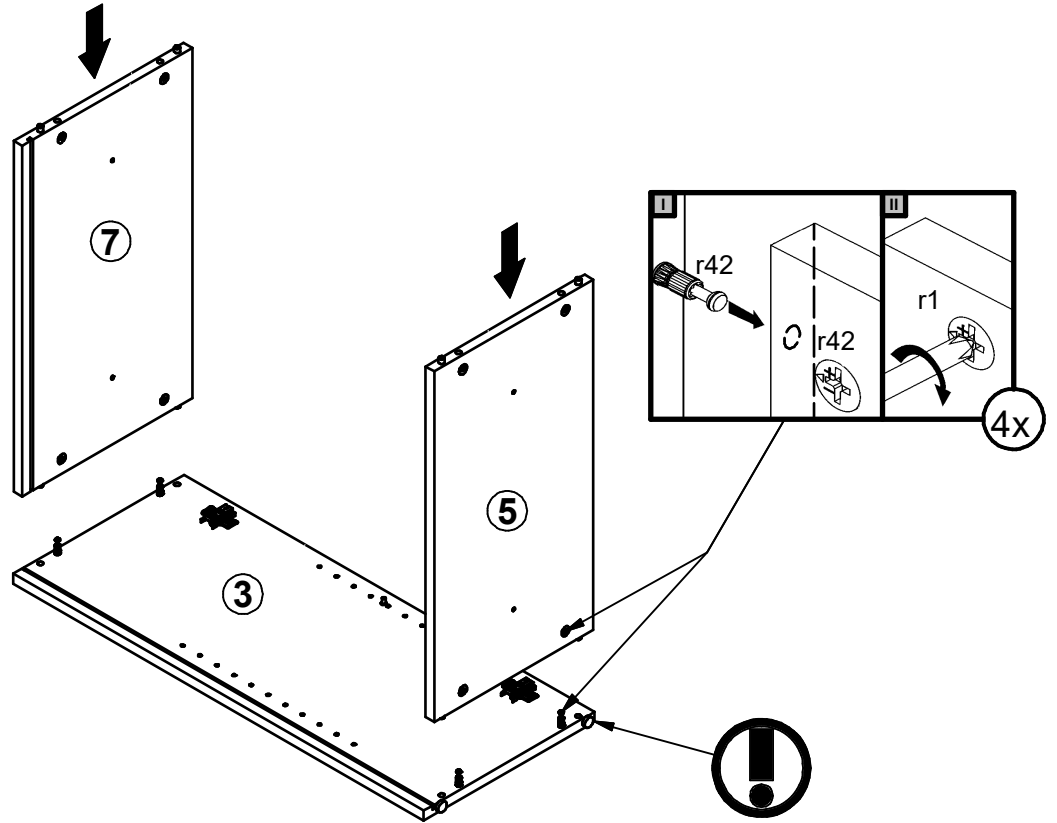




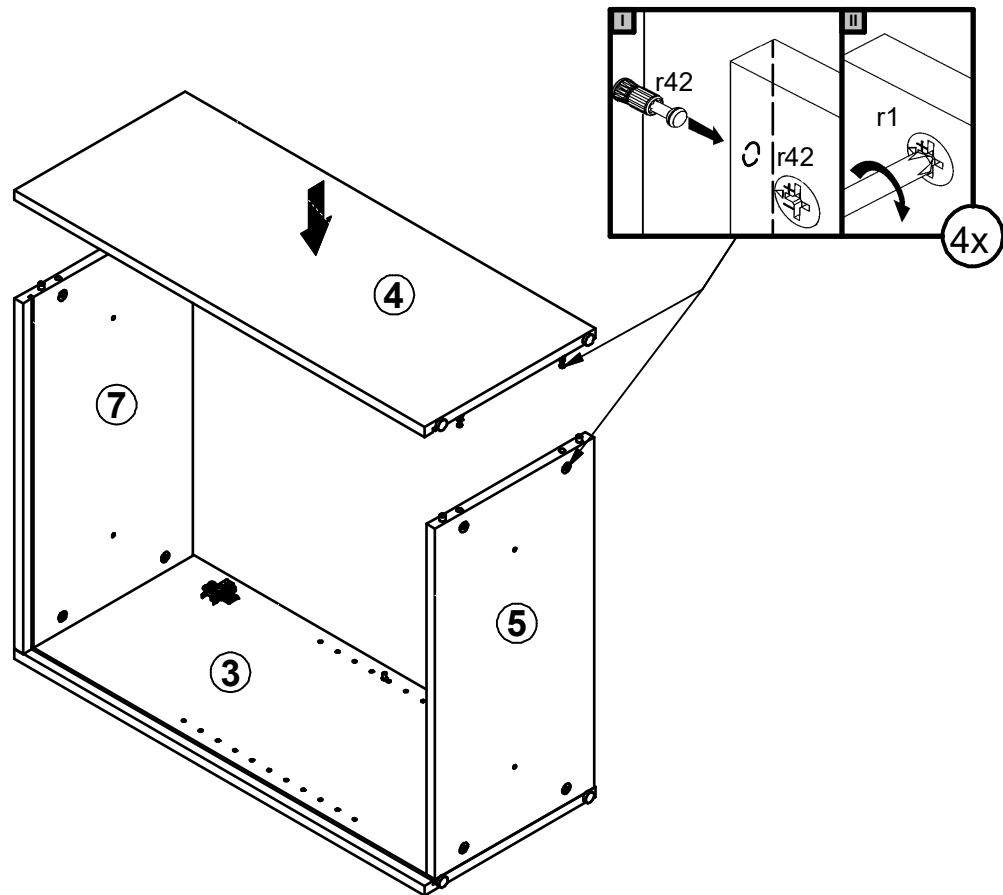
3



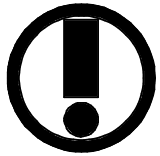
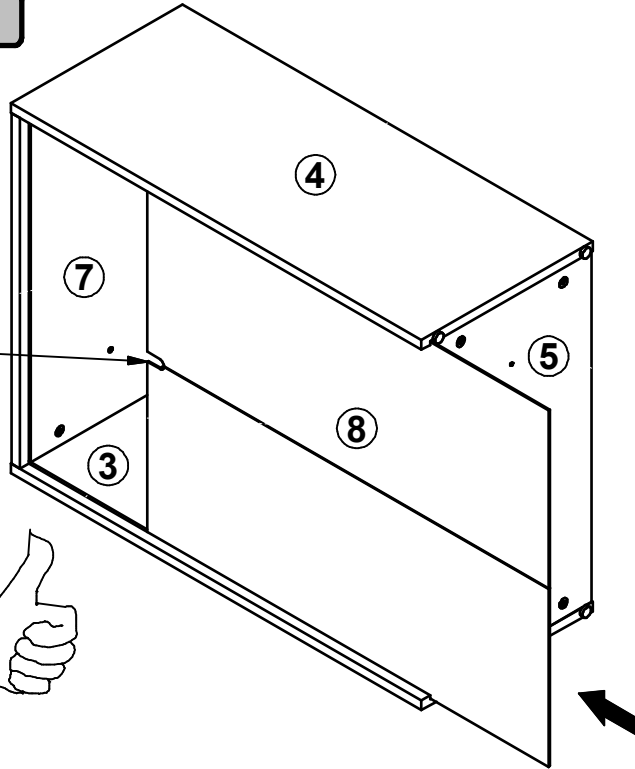
# 5



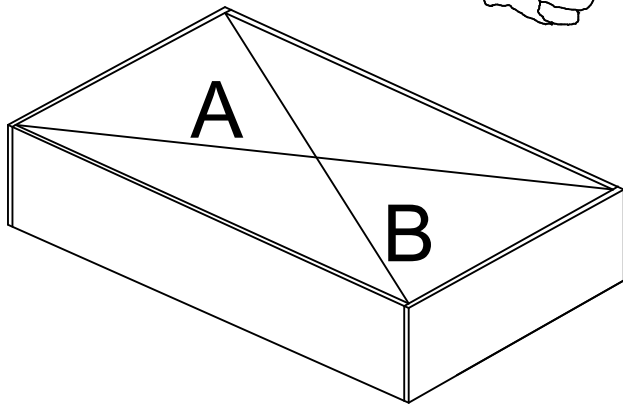
# 6



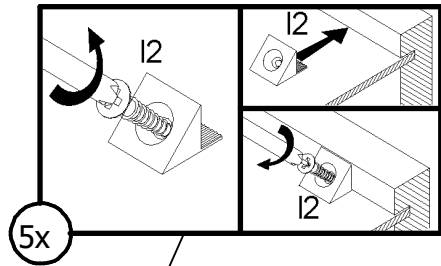
I



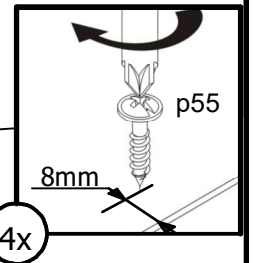
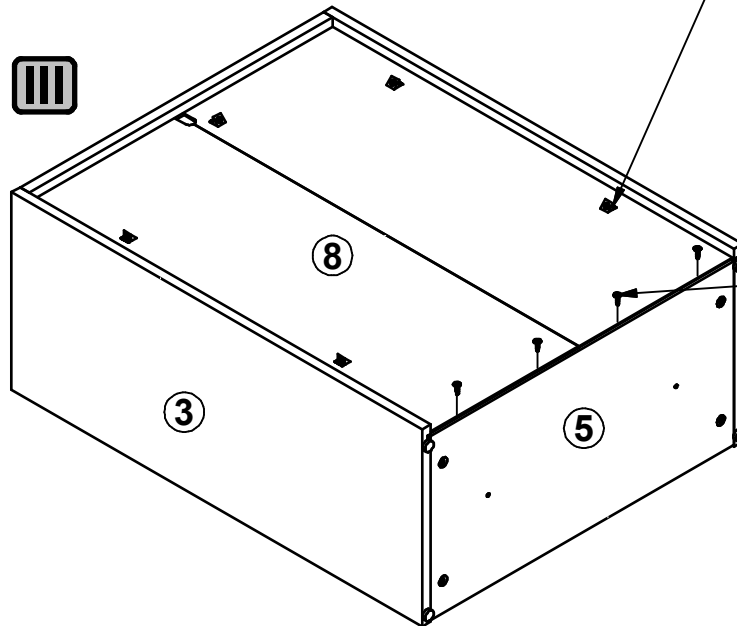
A=B



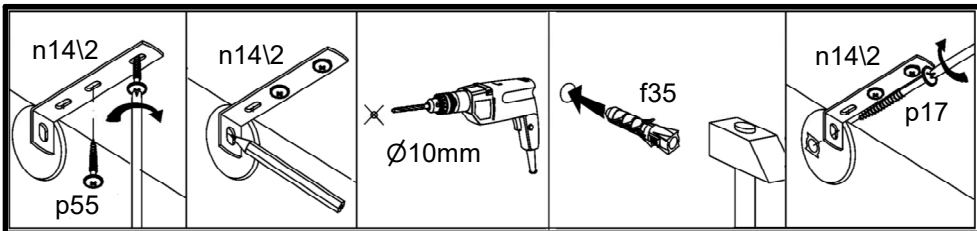
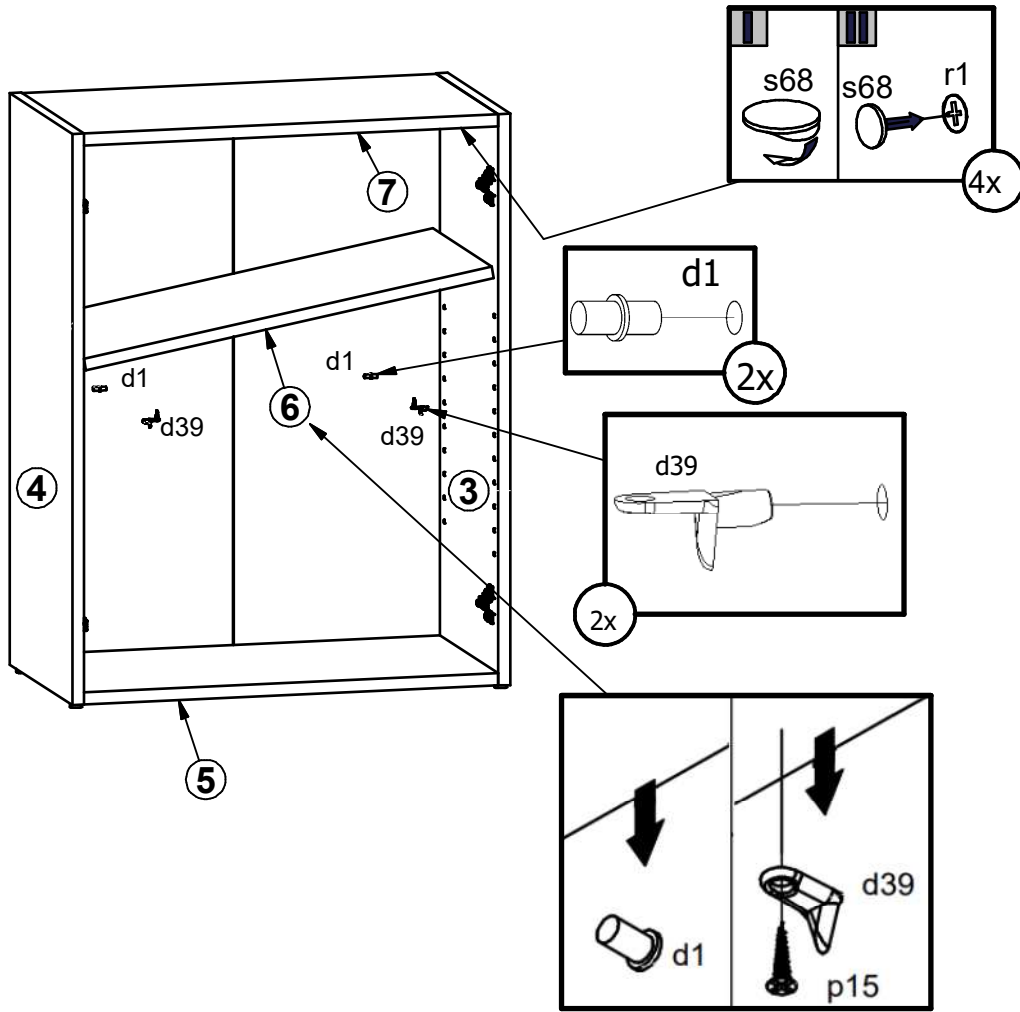
II



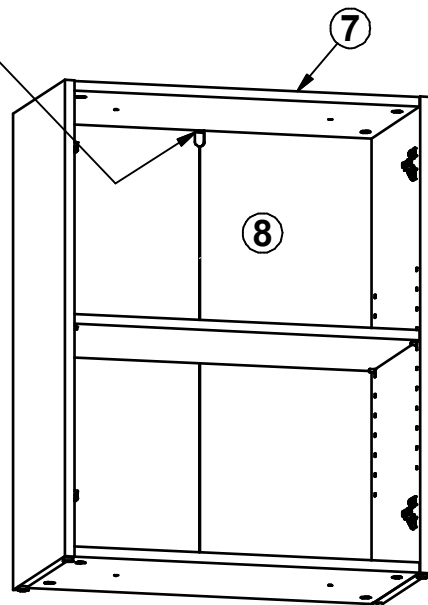
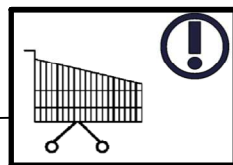
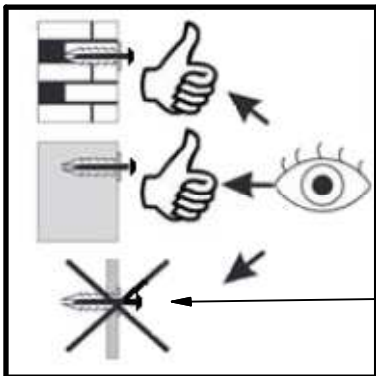
III



7



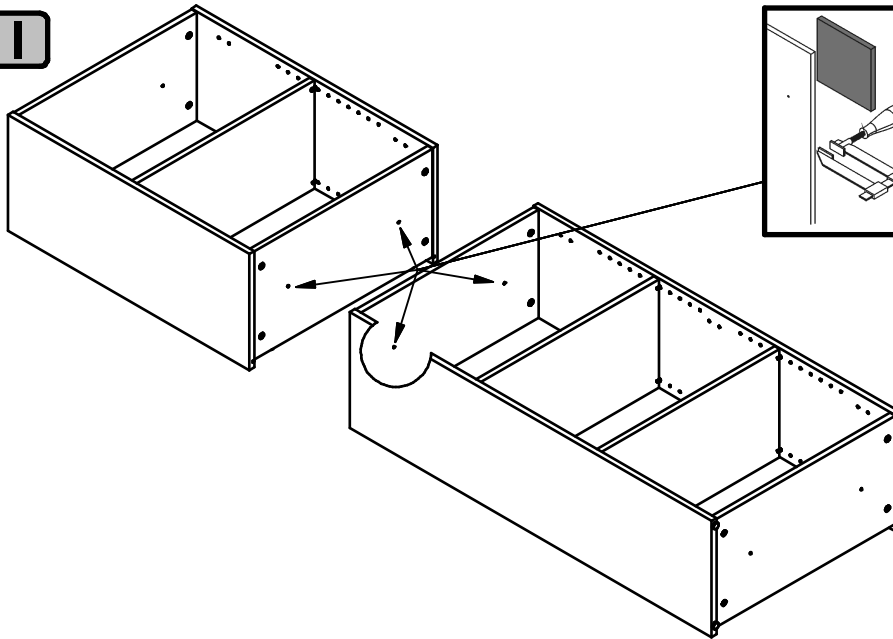
8  
A



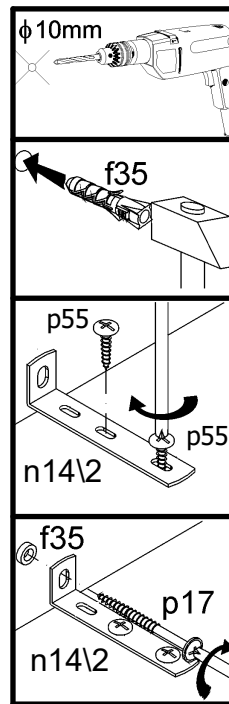
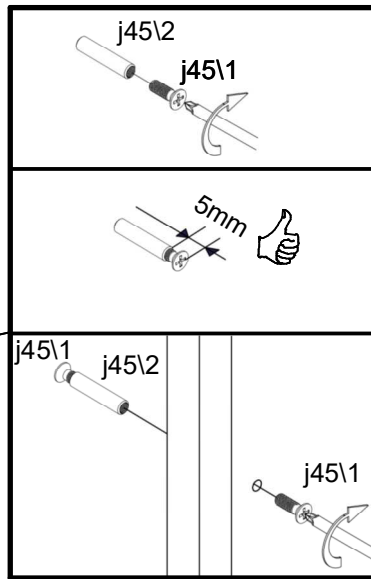
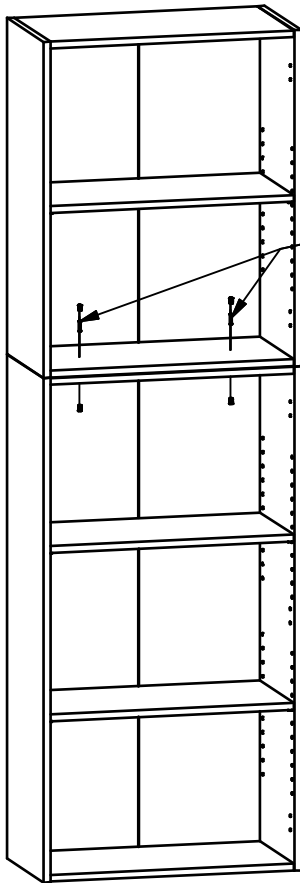


8  
B

I



II



III

